

anko

# Kids Retro Digital Camera Operating Instructions

Please read this manual carefully before using this product and retain it for future reference.

- Includes:
- 1 x Kids Retro Digital Camera
  - 1 x USB-A to USB-C charging cable
  - 1 x Wrist Strap
  - 1 x Instruction Manual
  - \*MicroSD Card NOT Included



K: 43699452 | T: 72416075  
Model: JLR-81714

## Product Specifications

Display: 2.0-inch TFT screen  
 Input rating: 5V – 1A  
 Video file format: AVI  
 Photo file format: JPG  
 Music file format: MP3  
 Camera resolution: VGA Photo, 480P Video  
 Expandable microSD card slot: up to 32GB (card not included)  
 Battery capacity: 3.7V 400mAh rechargeable Lithium-ion Battery (non-replaceable)  
 Charging time: Approx. 2 Hours  
 Maximum interpolated resolution: 1080P video / 48M photo

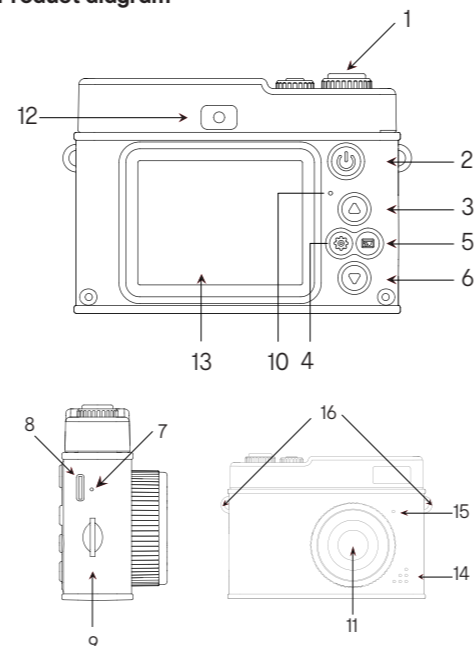
## Important Safety Information

- This product contains a rechargeable lithium-ion battery (non-replaceable).
- Do not leave the device connected to the charger for extended periods.
- Avoid exposing the device to high temperatures or direct sunlight for prolonged periods.

- Avoid fully discharging the battery for extended periods.
- Do not disassemble, crush, puncture, or modify the battery or device.
- Handle with care and avoid strong impacts or dropping.
- Do not charge the device unattended.
- The power supply (not included) used with the camera shall be regularly examined for damage to the supply cord, plug, enclosure or other parts, and in the event of damage, it shall not be used until the damage has been repaired.
- The power supply is not a toy.
- The camera shall only be used with a power supply for toys.



## Product diagram



## Button Instructions

No	Button/Part	Function
1	Shutter Button	Capture photo, Start/stop recording, Settings confirmation
2	Power Button	Long press: Power on/off Short press: Return to previous menu
3-6	Navigation Keys	Navigate menus, adjust settings, zoom in/out, and control playback.
7	Reset Button	Push with a pin if device is unresponsive
8	USB Type-C Port	Charging with provided cable. Use certified 5V/1A (or higher) adapter (not included).
9	Memory Card Slot	Supports 4GB-32GB microSD (card not included)
10	Indicator Light	Blue: power on, fully charged Red: charging
11	Front Lens	For capturing scenery and friends

12	Rear Lens	For taking selfies
13	Display Screen	2.0" TFT
14	Speaker	Audio output
15	Microphone	Records audio for videos.
16	Lanyard Hole	Attach wrist strap

## OPERATING INSTRUCTIONS

### Prepare to Use

**Install the memory card**  
 Insert the microSD card as shown until it clicks into place.

### Usage tips:

- The camera requires a memory card to operate.
- Format the card in the camera before first use.
- Do not remove the card while the device is on, to prevent damage or data loss.
- Use a class 10 microSD card for best performance.

### Charge the Product

- Charge fully before first use.

- Use the provided USB-C cable with a certified 5V/1A (or higher) adapter (not included).
- The red indicator light stays on while charging and turns to blue light when fully charged.
- Charging time: approx. 2 hours.
- Charge the device at least once a month to maintain battery health.

### Power on/off

- Insert a memory card before using the camera.
- Long press the Power button for 2 seconds to turn on or off.

### How to take photos

- On the home screen, press the Navigation buttons to select Photo mode.
- Press the Shutter button to take a photo.
- Press the Left button to activate the 5-second self-timer.
- Press the Right button to switch between the front and rear cameras.
- Press the Up/Down buttons to select filters.
- Long press the Up/Down buttons to zoom in or out.

105.0 mm

73.5 mm

## How to record a video

- On the home screen, press the Navigation buttons to select Video mode.
- Press the Shutter button to start recording.
- Press the Shutter button again to stop recording.
- Press the Left button to switch recording speed (Slow / Fast).
- Press the Right button to switch between the front and rear cameras.
- Press the Up/Down buttons to select filters.
- Long press and hold the Up/Down buttons to zoom in or out.

## How to view or delete files

- On the home screen, press the Navigation buttons to select Photo Album.
- Use the Left/Right buttons to browse files.
- For videos, press the Shutter button to play or pause.
- To delete a file, press the Up/Delete Current / Down/Delete All button and confirm with OK.

**Note: Deleted files cannot be restored. Please back up important files.**

## How to Enter the Settings Menu/Save Settings

- On the home screen, press the Navigation buttons to select System Settings.
- Select a function and press the Shutter button to confirm.
- Press the Power button to exit the settings menu.

### Menu - [System Settings]

Function	More
Image Quality	Default: 10M Option: 1M/ 2M/ 3M/ 5M/ 8M/ 10M/ 12M/ 16M/ 18M/ 20M/ 24M / 40M/ 48M. Set as you need.
Self-Timer	Default: Off Option: Off/ 3S/ 5S/ 10S. Set as you need.
Video Size	Default: 1080P Option: VGA/ 720P/ 1080P. Set as you need.
Cyclic Record	Default: 3Min Option: 3Min/ 5Min/ 10Min. Set as you need. Note: Recording will stop once the memory card is full.

Date stamp	Default On Option: On/Off. Set as you need.
Language	Default English. Total is 14 Languages.
Brightness	Default: 8 Range: 1-8
Auto Power Off	Default: Off Option: Off/1 Min/ 3 Min. Set as you need.
Screen Savers	Default: Off Option: Off/1 Min/ 3 Min. Set as you need.
Volume	Default: 8 Range: 1-8
Format	Option: OK/ Cancel Browse the submenus down, select and enter [Format], short press [OK] to confirm. <b>Note:</b> Formatting will delete all files and cannot be recovered, please back up and use with caution.

Date/Time	Allows you to set the system date and time. Date format: YY/MM/DD Time format: HH/MM/SS
Default settings	Option: OK/ Cancel If the camera is working abnormally due to incorrect settings, use this feature to restore the camera to its default settings.
Version	Version: Y200-V1.6-20260107 The date will update if software is updated.

## Game mode

- On the home screen, press the Navigation buttons to select Game Mode.
- Press the Shutter button to enter.
- Use the navigation buttons to control movement.
- Press the Power button to exit.
- Available games: Sokoban, Maze, Plane Shooter.

## MUSIC mode

- On the home screen, press the Navigation buttons to select Music mode.
- Press the Shutter button to play or pause music.

- Press the Left/Right buttons to switch songs.
- Press the Up/Down buttons to adjust volume.
- Press the Power button to exit.

### Note:

- After inserting the card for the first time, the system will automatically create an MP3 folder on the MicroSD card.
- MP3 files must be copied into the MP3 folder on the MicroSD card before use.

## Connect to Computer

**Use the provided USB-C cable to connect the camera to your computer.**

- When powered on:** Transfer photos and videos as a removable disk.
- When powered off:** Charge the camera only (no data transfer).

### Note:

- Always eject the removable disk safely to avoid data loss.
- If the computer does not recognize the device, reconnect or try another USB port/cable.

## 12 Month Warranty

Thank you for your purchase.

Your new product is warranted to be free from defects in materials and workmanship for the period stated above, from the date of purchase, provided that the product is used in accordance with accompanying recommendations or instructions where provided. This warranty is in addition to your rights under the Australian Consumer Law. For New Zealand customers, this warranty is in addition to statutory rights observed under New Zealand legislation.

We will provide you with your choice of a refund, repair (where possible) or exchange (availability dependent) for this product if it becomes defective within the warranty period. The business will bear the reasonable expense of claiming the warranty. This warranty will no longer apply where the defect is a result of alteration, accident, misuse, abuse or neglect.

Please retain your receipt as proof of purchase and contact our Customer Service Centre as listed below, for the entity you purchased this product from, for any difficulties with your product. Warranty claims and claims for expense incurred in returning this product can be addressed to the respective Customer Service Centre.

Our goods come with guarantees that cannot be excluded under the Australian Consumer Law. You are entitled to a replacement or refund for a major failure and compensation for any other reasonably foreseeable loss or damage. You are also entitled to have the goods repaired or replaced if the goods fail to be of acceptable quality and the failure does not amount to a major failure.



**MADE IN CHINA**  
**CUSTOMER SERVICE:**  
 KMART AU: 1800 124 125  
 KMART NZ: 0800 945 995  
 TARGET AU: 1300 753 567