

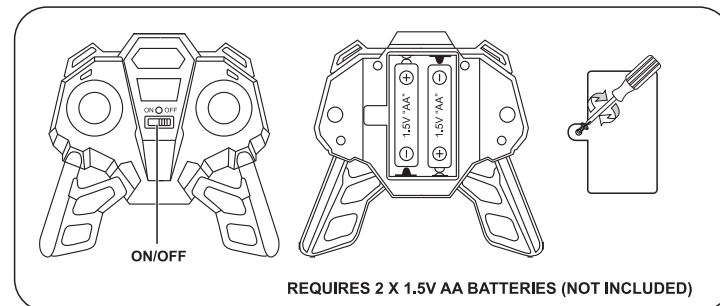
**8+**  
YEARS

# SUPER SPEED BOAT



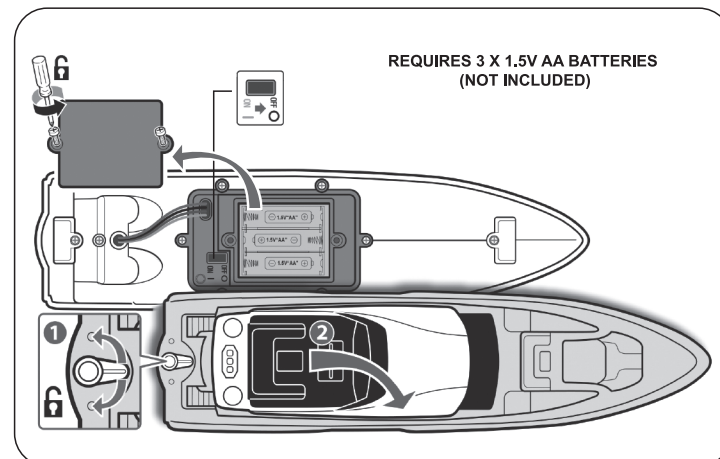
## INSTALLING BATTERIES IN THE TRANSMITTER:

- 1 - Open the battery compartment.
- 2 - Insert 2 x 1.5V AA batteries with correct + and - polarities.
- 3 - Close the cover.



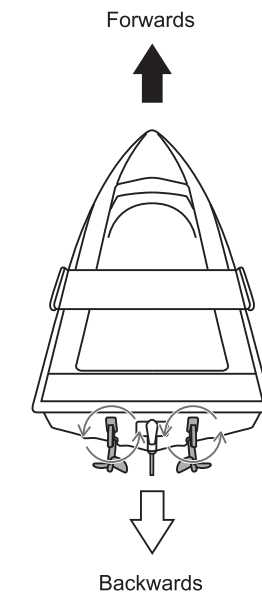
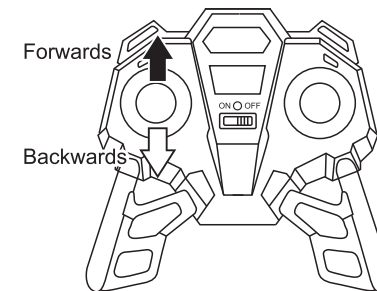
## INSTALLING BATTERIES IN THE BOAT:

- 1 - Unlock the safety lock.
- 2 - Remove the hull.
- 3 - Open the battery compartment.
- 4 - Insert 3 x 1.5V AA batteries with correct + and - polarities.
- 5 - Close the cover.

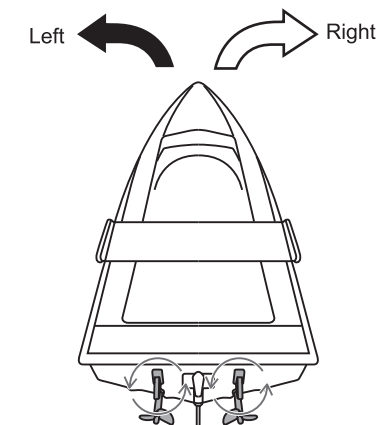
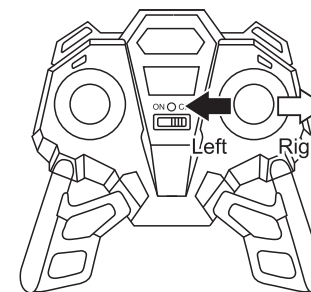


## HOW TO USE:

1. Unlock the safety lock on the boat and open the hull.
2. Turn on the boat first and then turn on the transmitter.
3. Pull the trigger of the transmitter to match the boat.
4. When the boat is functioning, that means they are matched.
5. Lock the hull.
6. If you have more than two boats, please pair one by one. When the second boat is pairing, please always keep the first boat and transmitter on.
7. Please turn off both the boat and transmitter and re-start all pairing processes if you are changing to play with another 2.4GHz transmitter.
8. How to move forwards or backwards:  
Push the throttle trigger up, the boat will move forwards.  
Pull the throttle trigger down, the boat will move backwards.



9. Turn left or right:  
Push the direction lever left, the boat will turn left.  
Push the direction lever right, the boat will turn right.



**Note:** When the boat is low in battery, the speed will drop significantly.

**WARNING:** BATTERIES ARE TO BE INSERTED WITH THE CORRECT POLARITY (+ AND -). DO NOT MIX DIFFERENT TYPES OF BATTERIES OR NEW AND USED BATTERIES. NON-RECHARGEABLE BATTERIES ARE NOT TO BE RECHARGED. RECHARGEABLE BATTERIES ARE ONLY TO BE CHARGED BY AN ADULT. THE SUPPLY TERMINALS ARE NOT TO BE SHORT-CIRCUITED. REMOVE BATTERIES FROM THE TOY WHEN NOT IN USE FOR AN EXTENDED TIME OR WHEN BATTERIES BECOME EXHAUSTED. BATTERY INSTALLATION BY AN ADULT IS REQUIRED. DISPOSE OF BATTERIES RESPONSIBLY. DO NOT DISPOSE OF IN FIRE.

**WARNING:** FOR SAFETY REASONS, REMOVE ALL TAGS, LABELS, AND PLASTIC FASTENERS BEFORE GIVING THIS TOY TO YOUR CHILD.

**WARNING:** THIS TOY PRODUCES FLASHES THAT MAY TRIGGER EPILEPSY IN SENSITISED INDIVIDUALS.

**WARNING: CHOKING HAZARD**  
SMALL PARTS. NOT SUITABLE FOR CHILDREN UNDER 3 YEARS.

PRODUCT MAY VARY SLIGHTLY FROM THE IMAGE SHOWN.  
PLEASE KEEP PACKAGING FOR FUTURE REFERENCE.  
READ THE INSTRUCTIONS BEFORE OPERATING THE PRODUCT.  
PERFORMANCE TIPS: DO NOT DRIVE THE BOAT INTO ANY HARD OBJECT.

**2.4GHz**



K: 43-698-998

T: 72-465-110