

# anko

Multi Curler Set  
CS-520  
User Manual



PLEASE READ AND SAVE THESE  
INSTRUCTIONS FOR FUTURE REFERENCE

## **IMPORTANT SAFEGUARDS**

Please read this instruction manual before using your product and keep it in a safe place for future reference. If you pass the appliance on to anyone else, please include this manual.

## **INTRODUCTION**

- Use this appliance on human hair only. Do not use this appliance on artificial hair or animals.
- **IMPORTANT!** The appliance may have different results depending on the hair type. The appliance is not recommended for damaged or bleached hair. Additionally, some hair colour may react differently when heat is applied to hair. Therefore, we recommend trying it on a hidden area of hair before first use.

## **SAFETY PRECAUTIONS**

- Carefully read all instructions before operation and retain for future reference.
- Do not place near the edge of a bench or table during operation.
- Ensure the surface is dry, level, clean and free of liquid and other substances.
- Burn hazard. Keep appliances out of reach from young children, particularly during use and when cooling down.
- Always place the appliance with the stand, if any, on a heat-resistant, stable flat surface.
- **Never leave the appliance unattended when the appliance is connected to the power supply, and when it is in use.** Always ensure the appliance is turned OFF by switching OFF and unplugging the appliance from mains power when not in use, if left unattended and before cleaning and storing.
- Always keep the appliance clean.
- Fully unwind the cord before use.
- To protect against electric shock, do not immerse the power cord, plug or any part of the appliance in water or any other liquid.
- Do not allow the cord to hang over the edge of the table or bench, touch hot surfaces or become knotted.
- This appliance is not intended for use by persons (including children) with reduced physical, sensory or mental capabilities, or lack of experience and knowledge, unless they have been given supervision or instruction concerning use of the appliance by a person responsible for their safety.
- **IMPORTANT! Children should be supervised to ensure that they do not play with this appliance.**
- If the supply cord is damaged, DO NOT use. For electrical safety, any repairs to the product must be carried out by a qualified electrical person only or the product must be disposed of to avoid hazard.
- This product is intended for household use only. Do not use it outdoors or for commercial purposes.
- NEVER grasp the appliance, power cable or power plug with wet hands.
- Always remove the power cable from the socket by pulling on the plug, do not pull on the

cable itself. Do not carry or lift the appliance with the power cord.

- Do not fold or crush the power cable. Ensure that the power cable does not run over sharp edges.
- Please do not attempt to dismantle the appliance. This appliance has no user-serviceable parts inside.
- When the appliance is used in a bathroom, disconnect from the mains power after use. Since the proximity of water presents a hazard even when the appliance is switched OFF.
- Do not use outdoors or operate where aerosol (spray) products are being used or where oxygen is being administered.
- For additional protection, the installation of a residual current device (RCD/Safety switch) having a rated residual operating current not exceeding 30mA is advisable in the electrical circuit supplying the bathroom. If unsure, check with your electrician.

**DANGER OF ELECTRIC SHOCK!** Do not insert any foreign objects into the appliance.

- Do not use any accessories not supplied with this product.
- The appliance is not intended to be operated by means of an external timer or separate remote-control system.
- For cleaning, please refer to section "CLEANING AND MAINTENANCE".

**RISK OF FIRE!**

- Do not leave the appliance unattended when in use.
- To avoid a build-up of heat, NEVER cover the appliance. Do not use the appliance under a blanket or at other poorly ventilated locations.
- Avoid the addition of heat from other sources, e.g. from direct sunlight, heating appliances, other devices, etc.
- Do not use an extension cable. In the event of danger, the power plug must be quickly and easily accessible.

**ELECTRICAL REQUIREMENTS**

- Check that the voltage on the rating plate of your appliance corresponds with your house electricity supply, which must be 220V-240V AC.

**IMPORTANT!**

- The plug removed from the mains lead, if severed, must be destroyed as a plug with bare flexible cord is hazardous if engaged into a live power outlet socket.
- If the supply cord is damaged, DO NOT use. Any repairs to the product must be carried out by a qualified electrician only or the product must be disposed of.



**Danger of suffocation!** Keep all packaging material away from children. Dispose of the packaging materials in an appropriate way. Contact your local authorities about collection points or waste separation.



**Caution Risk of Burning!** The appliance gets very hot!

Take care to avoid contact between the hot surfaces of the unit and the skin, paying particular attention to the face, neck and hands.



**WARNING: Do not use this appliance near bathtubs, showers, basins or other vessels containing water.**

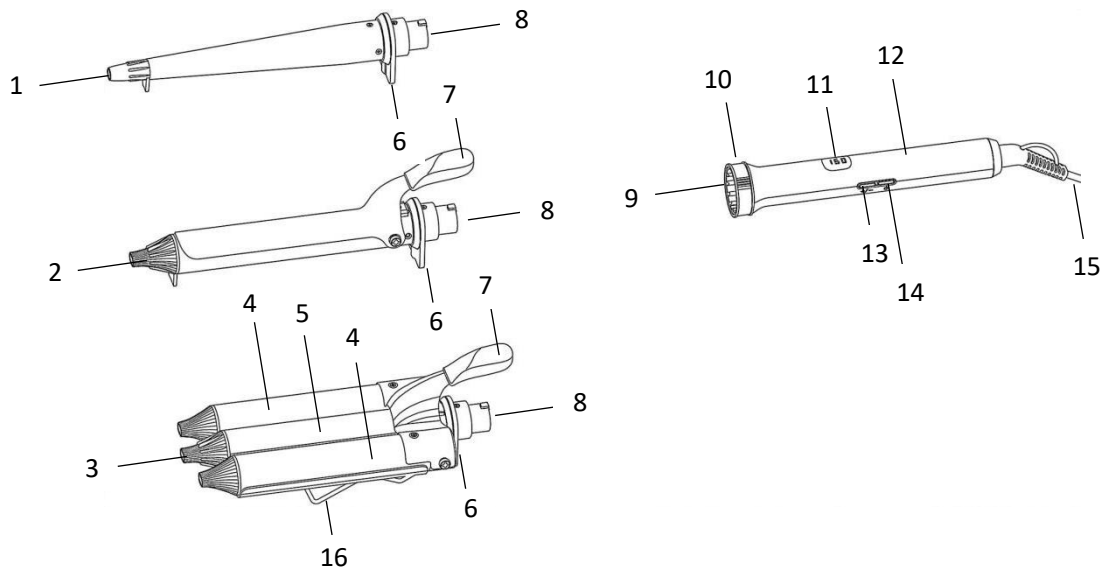


**Class II Appliance**

- The appliance is for household use only.

**SAVE THESE INSTRUCTIONS  
FOR FUTURE REFERENCE**

## **PARTS**



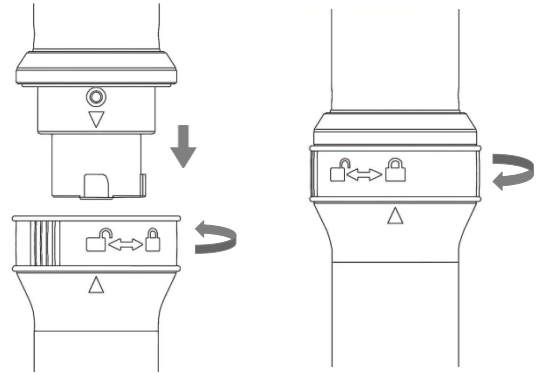
- |                                       |                            |
|---------------------------------------|----------------------------|
| 1. Tapered curling barrel attachment  | 9. Connector socket        |
| 2. Straight curling barrel attachment | 10. Connector lock         |
| 3. Triple waver barrel attachment     | 11. Temperature display    |
| 4. Top barrel                         | 12. Handle                 |
| 5. Base barrel                        | 13. Temperature set button |
| 6. Stand                              | 14. On/Off button          |
| 7. Clamp lever                        | 15. Power plug and cord    |
| 8. Connector plug                     | 16. Bracket                |

## **BEFORE FIRST USE**

- After unpacking the Multi Curler Set, check for transport damage and that all the parts mentioned in this manual are present. In the event of damaged or missing parts, return the Multi Curler back to the place of purchase for replacement.
- Do not discard the original box. It can be used for storage and dispatch to avoid transport damage.
- Clean the appliance as described in CLEANING AND MAINTENANCE. For your safety, make particular attention to the IMPORTANT SAFEGUARDS supplied in the user manual.

## Assemble attachment

- Rotate the connector lock until the triangle on the handle points to the unlock symbol.
- Align the triangle on the attachment with the triangle on the handle, plug the attachment into the socket of the handle.
- Rotate the connector lock until the triangle on the handle points to the lock symbol, the attachment is now locked in place.



## Detach attachment

- Rotate the connector lock until the triangle on the handle points to the unlock symbol, then pull the attachment off the handle.

**CAUTION!** The attachments get very hot during and immediately after use. Disconnect the Multi Curler from the mains power supply and allow the attachment to cool down completely before attempting to remove or assemble the attachments.

## OPERATION

### WARNING!

- DO NOT touch the hot surface. Always use the handle to hold the Multi Curler.
- DO NOT leave the Multi Curler unattended when in use or connected to a mains power supply.

**ATTENTION!** The curling barrels cool down slower than they heat up.

### IMPORTANT!

- The Multi Curler may provide different results depending on the hair type. Therefore, we recommend doing a trial on a hidden area of your hair before first use.
- Always place the Multi Curler and attachments on a heat-resistant surface to avoid heat damage to the bench/table surface.

### NOTES:

- Make sure your hair is 80% dry before styling.
- Section the hair prior to styling, style lower layers first.

### Using the appliance

- Fully unwind the power cord, place the Multi Curler on a flat, dry, heat-resistant surface.
- Select the desired attachment and attach to the handle.

1. Tapered curling barrel attachment	Creates gradient natural curls.
2. Straight curling barrel attachment	Creates neat spiral curls or full waves.
3. Triple waver barrel attachment	Creates S-shaped textured waves.

- Plug the supply cord plug on the Multi Curler into a mains power outlet socket, 'OFF' displays, the appliance is in standby mode.

- Press and hold the On/Off button to turn on the Multi Curler, the default temperature is 160°C flashes, the appliance will start to heat up.  
If no attachment attached or the attachment not properly assembled and the appliance is turned ON, the “888” will flashes on the display after 20 seconds and keep flashing for 1 hour until the Multi Curler goes into auto shut off mode, the appliance will not heat up.
- Press the temperature set button to set the desired temperature. The set temperature flashes. Available temperatures are: 120°C, 140°C, 160°C, 180°C, 200°C.

**ATTENTION!** The barrels heat up very fast. It takes approx. 3 minutes to reach the max. temperature.

- The temperature display will light up when the set temperature is achieved, the Mult Curler is ready, you may start hair styling.

### **Using tapered curling barrel (1)**

- Take a section no more than 3cm wide. Wind the section of hair around the barrel, close to the handle.
- Hold the end of hair in place for 5-8 seconds.
- Carefully unwind the strand and pull the curler away.
- Repeat this process to complete your styling.

### **Using straight curling barrel (2)**

- Press the clamp lever (7) to open the clamp. Take a section no more than 3cm wide, place the hair strand between the barrel and clamp, then release the clamp lever, the hair strand is fixed.
- Rotate the handle so that the strand of hair is rolled up to the roots. Maintain sufficient distance between the scalp and curling barrel.
- Hold the appliance in position for 5-8 seconds.
- Carefully unwind the strand halfway, open the clamp by pressing the clamp lever and free the curled hair gently.
- Repeat this process to complete your styling.

### **Using triple waver barrel (3)**

- Position the hot barrels at least 10cm from the roots without touching the scalp.
- Press the clamp lever (7) to open the clamp. Take a section no more than 3cm wide, place the hair strand between the top and base barrels, then release the clamp lever.
- Hold the hair styler in place for 5-8 seconds to create gentle waves.
- Press the barrel clamp lever to separate the top and base barrels, slide the barrel to another section.
- Repeat this process to complete your styling.

**WARNING! Hot surface! Use the bracket to support the triple waver barrel when placing the Multi Curler on the table during or immediately after use.**

When you have finished styling, press and hold the On/Off button to turn off the Multi Curler, unplug it from mains power and allow it to cool down before cleaning or storing.

Notes: the Multi Curler will automatically switch OFF in 60 minutes after the last function or setting.

## **CLEANING AND MAINTENANCE**

**Attention!** Turn off and unplug the Multi Curler, allow it to cool down before cleaning.

- Do not use any alcohol, acetone, gasoline, abrasive cleaning agents etc. to clean the appliance and attachments. Do not use hard brushes or metal objects for cleaning.
- Risk of burning! Do not clean the appliance while it is still hot.
- Wipe the appliance with soft dry cloth.
- Never submerge the Multi Curler in water or let water run over the heating surface.

## **STORAGE**

- Store the Multi Curler in a cool, dry location, away from children and pets.
- If the Multi Curler is not used for an extended period, store it preferably in its original packaging.
- After use, do not wrap the cord around the Multi Curler as in time this may cause the cord to fracture and fail. Coil the power cord loosely by the side of the appliance during storage.

## **DISPOSAL**

Do not dispose of this product with normal household waste collection. If unsure, contact the local council waste management service for proper disposal facilities available for your area.

## **TECHNICAL DATA**

Voltage: 220-240V~

Frequency: 50Hz

Power: 360W (MAX)

- Triple waver barrel: 360W
- Straight curling barrel: 280W
- Tapered curling barrel: 160W

## **12 Month Warranty**

Thank you for your purchase.

Your new product is warranted to be free from defects in materials and workmanship for the period stated above, from the date of purchase, provided that the product is used in accordance with accompanying recommendations or instructions where provided. This warranty is in addition to your rights under the Australian Consumer Law.

For New Zealand customers, this warranty is in addition to statutory rights observed under New Zealand legislation.

We will provide you with your choice of a refund, repair (where possible) or exchange (availability dependent) for this product if it becomes defective within the warranty period. The business will bear the reasonable expense of claiming the warranty.

This warranty will no longer apply where the defect is a result of alteration, accident, misuse, abuse or neglect.

Please retain your receipt as proof of purchase and contact our Customer Service Centre as listed below, for the entity you purchased this product from, for any difficulties with your product. Warranty claims and claims for expense incurred in returning this product can be addressed to the respective Customer Service Centre.

Our goods come with guarantees that cannot be excluded under the Australian Consumer Law. You are entitled to a replacement or refund for a major failure and compensation for any other reasonably foreseeable loss or damage. You are also entitled to have the goods repaired or replaced if the goods fail to be of acceptable quality and the failure does not amount to a major failure.

<b>Contact for Kmart purchases</b>	<b>Contact for Target purchases</b>
Kmart Australia Ltd. C/- Customer Service Centre L2/ 1 Middle Road, Chadstone Vic 3148 Australia Customer Service: 1800 124 125 (Australia) or 0800 945 995 (New Zealand) or via Customer Help at <a href="http://kmart.com.au">kmart.com.au</a>	Target Australia Pty Ltd C/- Customer Service Centre L2/ 1 Middle Road, Chadstone Vic 3148 Australia Customer Service: 1300 753 567 or via Customer Help at <a href="http://target.com.au/help/contact-us">target.com.au/help/contact-us</a>