

anko

Hair Dryer Y-92 User Manual



PLEASE READ AND SAVE THESE
INSTRUCTIONS FOR FUTURE REFERENCE

IMPORTANT SAFEGUARD

When using any electrical product, always follow these basic safety precautions:



READ ALL INSTRUCTIONS BEFORE USE.

Please read this instruction manual before using your product and keep it in a safe place for future reference. If you pass the appliance on to anyone else, please include this manual.

INTRODUCTION

- Use this appliance on human hair only. Do not use this appliance on artificial hair or animals.
- **IMPORTANT!** The appliance may have different results depending on the hair type. Therefore, we recommend trial at a hidden spot before first use. The hair dryer is not recommended for damaged or bleached hair.

SAFETY PRECAUTIONS

- Carefully read all instructions before operation and retain for future reference.
- Do not place near the edge of a bench or table during operation.
- Ensure the surface is dry, level, clean and free of liquid and other substances.
- **Burn hazard.** Keep appliances out of reach of young children, particularly during use and when the hair dryer is cooling down.
- **Never leave the appliance unattended when the appliance is connected to the power supply, and when it is in use.** Always ensure the appliance is switched OFF and disconnected from mains power when not in use, if left unattended and before cleaning and storing.
- Always keep the appliance clean.
- Fully unwind the cord before use.
- To protect against electric shock, do not immerse the power cord, plug or appliance in water or any other liquid.
- Do not allow the power cord to hang over the edge of the table or bench, touch hot surfaces or become knotted.
- This appliance is not intended for use by persons (including children) with reduced physical, sensory or mental capabilities, or lack of experience and knowledge, unless they have been given supervision or instructions concerning use of the appliance by a person responsible for their safety.
- Children should be supervised to ensure that they do not play with this appliance.
- If the supply cord is damaged, DO NOT use. For electrical safety, any repairs to the product should be carried out by a qualified electrical person only or the product must be disposed of to avoid hazard.
- This product is intended for household use only. Do not use it outdoors or for commercial purposes.
- NEVER grasp the appliance, power cable or power plug with wet hands.
- Always remove the power cable from the socket by pulling on the plug, do not pull on the cable itself. Do not carry or lift the appliance with the power cord.
- Do not fold or crush the power cable. Ensure that the power cable does not run over sharp edges.
- Please do not attempt to dismantle the appliance. This appliance has no user-serviceable

parts inside.

- When the appliance is used in a bathroom, disconnect from the mains power after use. Since the proximity of water presents an electric shock hazard even when the appliance is switched OFF.
- Do not use outdoors or operate where aerosol (spray) products are being used or where oxygen is being administered.
- For additional protection, the installation of a residual current device (RCD/ Safety switch) having a rated residual operating current not exceeding 30mA is advisable in the electrical circuit supplying the bathroom. If unsure, check with your electrician.

DANGER OF ELECTRIC SHOCK! Do not insert any foreign objects into the appliance.

- Do not use any accessories not supplied with this product.
- The appliance is not intended to be operated by means of an external timer or separate remote-control system.
- Always keep the hair away from the air inlet of the appliance. Hair may be sucked into the air inlet of the appliance causing a blockage.
- Never cover or block the air inlet of the appliance. This may lead to overheating. If the grille becomes blocked, stop using the appliance immediately and clear the blockage.
- Ensure the appliance concentrator nozzle is free of blockages. Unrestricted airflow is required for correct operation and to prevent overheating.
- The concentrator nozzle will become hot in use. Allow it to cool before removing it.
- For cleaning, please refer to section "**CLEANING AND MAINTENANCE**".

RISK OF FIRE

- Do not leave the appliance unattended when in use.
- To avoid a build-up of heat, NEVER cover the appliance. Do not use the appliance under a blanket or in other poorly ventilated locations.
- Avoid the addition of heat from other sources, e.g. from direct sunlight, heating appliances, other devices, etc.
- Do not use an extension cable. In the event of danger, the power plug must be quickly and easily accessible.

ELECTRICAL REQUIREMENT

- Check that the voltage on the rating plate of your appliance corresponds with your house electricity supply, which must be 220V-240V AC.



Danger of suffocation! Keep all packaging material away from children. Dispose of the packaging materials in an appropriate way. Contact your local authorities about collection points or waste separation.



Caution Risk of Burning! The appliance gets very hot!

Take care to avoid contact between the hot surfaces of the unit and the skin, paying particular attention to the face, neck and hands.

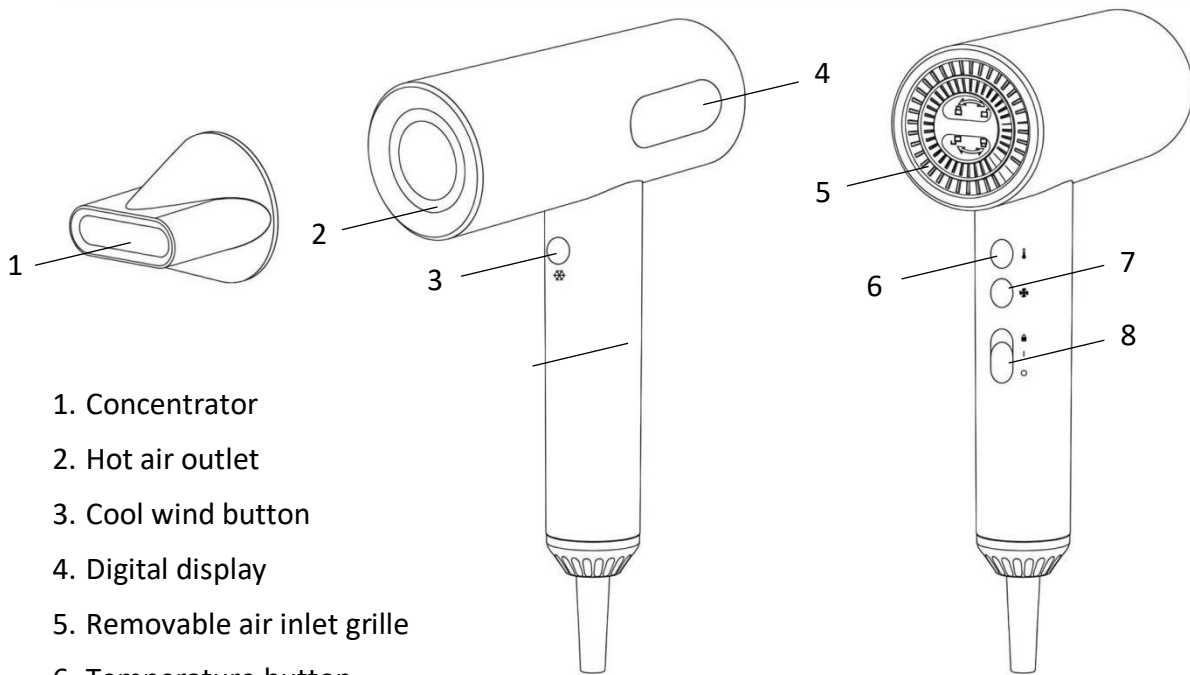


WARNING: Do not use this appliance near bathtubs, showers, basins or other vessels containing water.



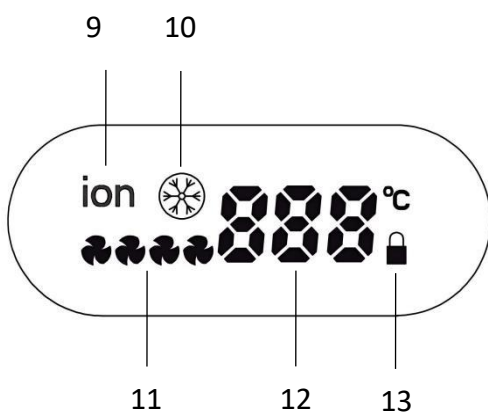
Class II Appliance

PARTS



1. Concentrator
2. Hot air outlet
3. Cool wind button
4. Digital display
5. Removable air inlet grille
6. Temperature button
7. Fan speed button
8. Power switch

DISPLAY



9. Ionic function indicator
10. Cool setting indicator (25°C)
11. Fan speed indicator (4 speed)
 - ☪ --- Low
 - ☪☪ --- Medium
 - ☪☪☪ --- High
 - ☪☪☪☪ ---Strong
12. Temperature display
4 temperature settings: 40°C,60°C,80°C,100°C
cool setting: 25°C
13. Lock display

BEFORE FIRST USE

- After unpacking the appliance, check for transport damage and that all the parts mentioned in this manual are present. In the event of damage or missing parts, return the product back to the place of purchase for replacement.
- Do not discard the original box. It can be used for storage and dispatch to avoid transport damage.
- Clean the appliance as described in section “**CLEANING AND MAINTENANCE**”. For your safety, pay particular attention to section “**IMPORTANT SAFEGUARD**” supplied in the user manual.

OPERATION

1. Fully unwind the mains cable. Make sure the Power switch is in OFF (0) position.
2. Place the appliance on a smooth, flat, dry surface, plug-in and switch on at the mains power outlet socket.
3. Fit the magnetic Concentrator if required, it can rotate 360 degrees.

WARNING! Always ensure the hair dryer is switched **OFF** before installing the concentrator.

Do not install, adjust, or attempt to remove the concentrator while the appliance is in use, as this may cause burns. Allow the concentrator to cool completely before removing it.

4. Slide the Power switch to ON (I) position, the appliance is now switched ON and display shows current speed and temperature setting.
5. Press the Temperature button and fan speed button to set your desired air temperature and fan speed.
6. Press the cool wind button to get cool wind, press again to resume previous temperature setting.
7. Slide the Power switch to lock (🔒) position to freeze temperature and speed setting. This is to prevent accidental changes during use.
8. When finished drying or styling, switch the appliance OFF, unplug the appliance and allow it to cool before cleaning or storing.

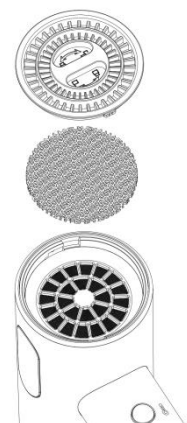
TIPS: The hair dryer has a memory function which can recall your last used heat and speed setting.

CLEAN THE AIR INLET GRILLE

During use, if the air inlet grille becomes clogged or blocked with dust or dirt, clean the grille.

1. Disconnect the appliance from mains power and allow it to cool down.
2. Rotate clockwise to unlock the air inlet grille, take out the filter.
3. Use lint-free cloth or soft brush to clean the dust and hair on the grille.
4. The filter can be rinsed under water. Air dry after cleaning.
5. Ensure the filter is dried completely, then replace the filter and air inlet grille. Rotate the grille anticlockwise until it locks in place.

Notice: Clean the air inlet grille at least once a month to prevent overheating.



CLEANING AND MAINTENANCE

- **Attention!** Switch OFF the appliance and disconnect the supply cord plug from the mains power outlet socket before cleaning.
- Risk of burning! Do not clean the appliance while it is still hot.
- **Attention!** Do not use any alcohol, acetone, gasoline, abrasive cleaning agents etc. to clean the appliance and attachments. Do not use hard brushes or metal objects for cleaning.
- Wipe the appliance with dry cloth.
- Never submerge the appliance in water or let water run over the appliance.
- Clean the air inlet from time to time with a fine brush.

STORAGE

- Store the appliance in a cool, dry location, away from children and pets.
- If the appliance is not used for an extended period, store it preferably in its original packaging.
- After use, do not wrap the cord around the appliance as in time this may cause the cord to fracture and fail. Coil cord loosely by the side of the appliance during storage.

DISPOSAL

Do not dispose of this product with normal household waste collection. If unsure, contact the local council waste management service for proper disposal facilities available for your area.

TECHNICAL DATA

Voltage: 220-240V

Frequency: 50-60Hz

Power: 1350-1600W

12 Month Warranty

Thank you for your purchase.

Your new product is warranted to be free from defects in materials and workmanship for the period stated above, from the date of purchase, provided that the product is used in accordance with accompanying recommendations or instructions where provided. This warranty is in addition to your rights under the Australian Consumer Law.

For New Zealand customers, this warranty is in addition to statutory rights observed under New Zealand legislation.

We will provide you with your choice of a refund, repair (where possible) or exchange (availability dependent) for this product if it becomes defective within the warranty period. The business will bear the reasonable expense of claiming the warranty.

This warranty will no longer apply where the defect is a result of alteration, accident, misuse, abuse or neglect.

Please retain your receipt as proof of purchase and contact our Customer Service Centre as listed below, for the entity you purchased this product from, for any difficulties with your product. Warranty claims and claims for expense incurred in returning this product can be addressed to the respective Customer Service Centre.

Our goods come with guarantees that cannot be excluded under the Australian Consumer Law. You are entitled to a replacement or refund for a major failure and compensation for any other reasonably foreseeable loss or damage. You are also entitled to have the goods repaired or replaced if the goods fail to be of acceptable quality and the failure does not amount to a major failure.

Contact for Kmart purchases	Contact for Target purchases
Kmart Australia Ltd. C/- Customer Service Centre L2/ 1 Middle Road, Chadstone Vic 3148 Australia Customer Service: 1800 124 125 (Australia) or 0800 945 995 (New Zealand) or via Customer Help at kmart.com.au	Target Australia Pty Ltd C/- Customer Service Centre L2/ 1 Middle Road, Chadstone Vic 3148 Australia Customer Service: 1300 753 567 or via Customer Help at target.com.au/help/contact-us