

# anko

**Mini Massage Gun**

**SM-437A**

**User Manual**



**PLEASE READ AND SAVE THESE  
INSTRUCTIONS FOR FUTURE REFERENCE**

# IMPORTANT SAFEGUARDS

When using any electrical product, always follow these basic safety precautions:



## **READ ALL INSTRUCTIONS BEFORE USE.**

1. We recommend checking with your doctor before using the massager, especially if you have other health problems.
2. DO NOT use this product as a substitute for medical attention.
3. This product is not intended for medical use. It is intended only to provide a comfortable massage. If you have any concerns regarding your health or are recovering from an injury or surgery, consult your doctor before using this appliance.
4. Individuals with heart pacemakers should consult a physician before using this product.
5. In case of pregnancy, diabetes or other illness, consult your doctor before using this product.
6. DO NOT apply massager on the face, open wounds, discolored areas, areas of poor circulation, or any areas of the body that are swollen, burned, inflamed, or where skin eruptions or sores are present.
7. DO NOT use the machine while under the influence of alcohol, sleeping pills, or sedatives.
8. It is normal to feel itching, tingling, or see redness on the skin where the massager was used. These symptoms will soon disappear. However, if these symptoms remain for an extended period, we suggest you consult your doctor as there may be a more serious underlying health issue.
9. To prevent bruising, DO NOT press too hard on the device.
10. DO NOT leave the appliance unattended when in use.
11. DO NOT immerse the appliance or cord in water or other liquids.
12. DO NOT use or store the product near sinks, baths, or showers containing water or near running water.
13. DO NOT use it in the bath, shower, spa, pool, etc.
14. DO NOT use this appliance if it has been dropped or any part of the appliance has been damaged.
15. Repairs to the product must be carried out by a qualified electrical person only or the product must be disposed of.
16. The use of accessories not intended for use with this appliance may cause injuries to the user or damage the appliance.
17. DO NOT place this unit on other appliances, on uneven surfaces, or where it could be subject to heat sources (e.g., radiators or stoves), direct sunlight, or excessive dust.
18. DO NOT store or use the appliance near or in high-temperature areas.
19. The appliance should always be switched OFF before charging.
20. DO NOT operate the appliance with wet hands or wet feet to reduce the risk of electric shock.
21. DO NOT reach or touch an appliance which has fallen into water.
22. DO NOT use this product while in bed.
23. DO NOT use the appliance while sleeping or if feeling sleepy.

24. DO NOT use this product before bed. The massage gun has a stimulating effect and may delay sleep.
25. DO NOT use machinery or heavy equipment while using this appliance.
26. DO NOT cover the appliance while in use. The product will overheat and cause fire, electrocution, damage to property, or injury to persons.
27. This appliance is intended for human use only. Not for animals and pets.
28. DO NOT allow pets or animals to lie or chew on this appliance or on the electrical cord.
29. ONLY for indoor domestic use.
30. Children should be supervised to ensure that they DO NOT play with the appliance.
31. Close supervision is necessary when this appliance is used by, or near children, or disabled persons to ensure that they do not misuse the product.
32. This appliance is not intended for use by persons (including children) with reduced physical, sensory or mental capabilities, or lack of experience and knowledge, unless they have been given supervision or instruction concerning use of the appliance by a person responsible for their safety.
33. This product is not to be used by very young children (0-3 years).
34. Turn off the appliance before putting on or taking off parts.
35. This appliance contains non-replaceable batteries.
36. For cleaning, please refer to CLEANING AND STORAGE section.

## **IMPORTANT!**

**If you have any concerns regarding your health, consult your doctor before using this appliance. Individuals with pacemakers should not use this product. If you experience pain in a muscle or joint for a prolonged period, discontinue use and consult your doctor. Persistent pain could be a symptom of a more serious medical condition.**



**DO NOT** touch this part when the massage head is not installed.

DO NOT massage one area for more than 1 minutes at a time. And it is recommended to wear dry clothes or apply a dry towel to the skin before massaging. The massager should be pressed and moved slowly and gently.

DO NOT apply in the head or any skeletal parts of the body. Use the appliance only on the soft tissue parts of the body.

DO NOT use when bruising is present in massage areas and shows signs of pain or discomfort.

Keep your fingers or hair of any parts of your body away from the shaft and vibrating head, to avoid potential injury.

DO NOT remove the screws or attempt to disassemble the device and modify the masage gun in any way.



## CAUTION!

Only use the USB Cable that was supplied with this Appliance.

Battery Pack Specification:

Type: li-ion, 7.4d.c., 1300mAh (Non-Removable or Replaceable)

Input: Requires a 5Vd.c./ 2A USB Charger (not supplied)

This appliance must only be supplied by AS/NZS 61558.1 & AS/NZS 61558.2.16 certified power supply unit with SELV output voltage corresponding to the marking on the appliance.

Consumers are cautioned against trying to replace the battery. Using and/or purchasing counterfeit and/or inferior quality batteries have the potential to cause fire, personal injury, and/or damage to property. These batteries are typically found on online-auction websites or from other retailers and are known to pose a potential safety risk.



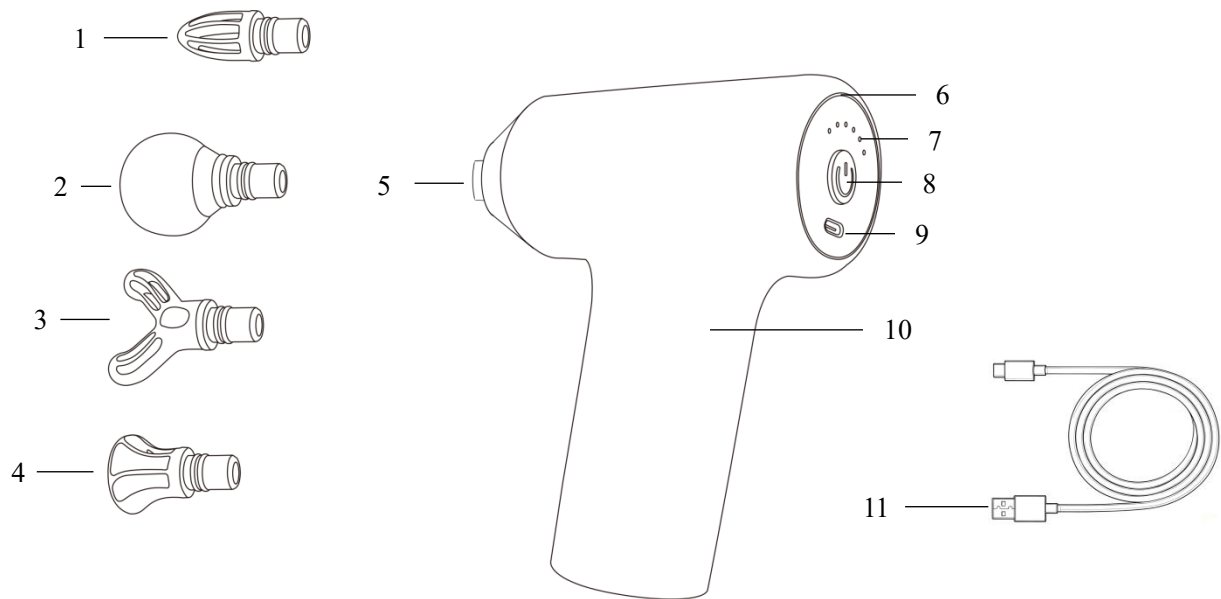
**WARNING: Do not recharge non-rechargeable batteries.**



**WARNING: Before charging the product, please make sure your hands are dry.**

**SAVE THESE INSTRUCTIONS  
FOR FUTURE REFERENCE**

## KNOW YOUR MINI MASSAGE GUN



1. Bullet head
2. Ball head
3. Y-shaped head
4. Flat head
5. Socket

6. Pressure indicator
7. Speed/Battery level indicator
8. On/Off/Speed level button
9. Charging port
10. Handle
11. USB cable

### IMPORTANT!

- Please make sure that your appliance is received with the right components shown above. Check everything carefully before using it. If any parts are missing or damaged, return the product to respective customer service centre.
- When using the appliance for the first time, carefully remove all packaging and dispose of them responsibly.

## BEFORE FIRST USE

### Charge the battery

- Fully charge the appliance before first use.
- **The supplied USB charging cable should be inserted into the standard USB power source rated at 5Vd.c. 2A specification.**

**WARNING! Use only the supplied USB charging cable to charge the appliance.**

- One of the white indicator flashes when charging. As the battery level increases, the indicators will light up one by one until all the indicators light up when fully charged.
- The charging time is approx. 2 hours.
- After being fully charged, the product can work approx. 3~5 hours under different speed and pressure.
- The appliance cannot be used when charging.

## USE YOUR MINI MASSAGE GUN

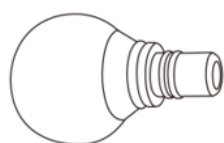
### Attachments



#### **Bullet head**

Suitable for massaging small areas such as joints, palms, soles

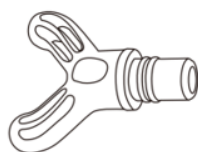
---



#### **Ball head**

Suitable for massaging large muscle groups such as arms, waist, back, hip and thighs

---



#### **Y-shaped head**

Suitable for neck spine, achilles tendon, ankle and calf muscles

---



#### **Flat head**

Suitable for muscle areas that need relax following heavy exercise

---

## Using Your Massager

- Make sure the massager is disconnected with the USB cable and turned off.
- Select the desired massage head and push firmly into the socket on the front of the massager.
- Press the On/Off/Power level button to enter the Standby mode. The indicators now show the battery level.
- Press and hold the On/Off button to turn the massager on, short press the On/Off button again will cycle through the power levels. This massage gun features 6 speed levels.
- Gently move the massage head over the part of the body you want to massage, then gently apply more pressure as desired. If you are a first time user, it is recommended that you start on power level 1 and press on your body gently.
- A long press on the On/Off button will turn the massager off.

**DO NOT use the product continuously for more than 15 minutes.** The massager will automatically turn off after 15 minutes. Please wait for at least 30 minutes before reusing.

## Reactive Boost Feature

If you are applying more manual pressure to your muscles, the device automatically boosts speed and intensity, delivering deeper, more targeted relief. The pressure indicator turns BLUE under boost mode.

When pressure is released or the device is lifted away, it smoothly returns to selected speed, while pressure indicator returns to WHITE.

## Anti-Stall Protection

If excessive force applied, unit would stop working. The pressure indicator flashes WHITE to indicate a stall, and the unit turns off automatically.

## CLEANING AND STORAGE

- Turn off the appliance and make sure the USB cable is disconnected from the appliance and power supply before cleaning.
- Clean the all parts of the appliance with a soft dry cloth.

### WARNING!

Do not immerse the main unit or USB cable in water or any other liquid to clean.

Do not use benzene, thinner or any other aggressive detergents to clean the product. It may cause damage to the product.

- Ensure the product is clean and dry before storage.
- This product contains a Li-ion battery. It should be stored in a clean, dry, ventilated room with an ambient temperature range of  $-5^{\circ}\text{C}$  to  $+35^{\circ}\text{C}$  and a relative humidity of 25% to 75%.

## BATTERY DISPOSAL



**At the end of the appliance's life, it must be disposed of correctly.**

This appliance contains a battery that is non-replaceable, and as the battery is non-replaceable, the complete appliance must be recycled as this is where the battery is located.

Contact your local waste management authority for more information on Battery Recycling and disposal regulations in your area.

Do not dispose of electrical appliances or batteries as unsorted municipal waste, use separate collection facilities. Contact your local council for information regarding the collection systems available. If electrical appliances are disposed of in landfills or dumps, hazardous substances can leak into the groundwater and get into the food chain, damaging your health and well-being. Please contact your local council or regional authority for more information on collection, reuse, and recycling programmes.

## 12 Month Warranty

Thank you for your purchase.

Your new product is warranted to be free from defects in materials and workmanship for the period stated above, from the date of purchase, provided that the product is used in accordance with accompanying recommendations or instructions where provided. This warranty is in addition to your rights under the Australian Consumer Law.

For New Zealand customers, this warranty is in addition to statutory rights observed under New Zealand legislation.

We will provide you with your choice of a refund, repair (where possible) or exchange (availability dependent) for this product if it becomes defective within the warranty period. The business will bear the reasonable expense of claiming the warranty.

This warranty will no longer apply where the defect is a result of alteration, accident, misuse, abuse or neglect.

Please retain your receipt as proof of purchase and contact our Customer Service Centre as listed below, for the entity you purchased this product from, for any difficulties with your product. Warranty claims and claims for expense incurred in returning this product can be addressed to the respective Customer Service Centre.

Our goods come with guarantees that cannot be excluded under the Australian Consumer Law. You are entitled to a replacement or refund for a major failure and compensation for any other reasonably foreseeable loss or damage. You are also entitled to have the goods repaired or replaced if the goods fail to be of acceptable quality and the failure does not amount to a major failure.

Contact for Kmart purchases	Contact for Target purchases
Kmart Australia Ltd. C/- Customer Service Centre L2/ 1 MIDDLE ROAD, CHADSTONE VIC 3148 AUSTRALIA Customer Service: 1800 124 125 (Australia) or 0800 945 995 (New Zealand) or via Customer Help at <a href="http://kmart.com.au">kmart.com.au</a>	Target Australia Pty Ltd C/- Customer Service Centre L2/ 1 MIDDLE ROAD, CHADSTONE VIC 3148 AUSTRALIA Customer Service: 1300 753 567 or via Customer Help at <a href="http://target.com.au/help/contact-us">target.com.au/help/contact-us</a>