

Assembly Instructions

K: 43691258 | T: 72458594 WALNUT AND LINEN HAMPER

CARE INSTRUCTIONS:

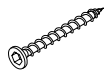



WIPE CLEAN WITH A SOFT DAMP CLOTH. DO NOT USE ABRASIVE MATERIAL AND SOLVENTS. KEEP AWAY FROM WATER AND DIRECT SUNLIGHT. CHECK AND TIGHTEN ALL PARTS REGULARLY. ENSURE PARTS ARE PUSHED TOGETHER SECURELY. FOR INDOOR USE ONLY.

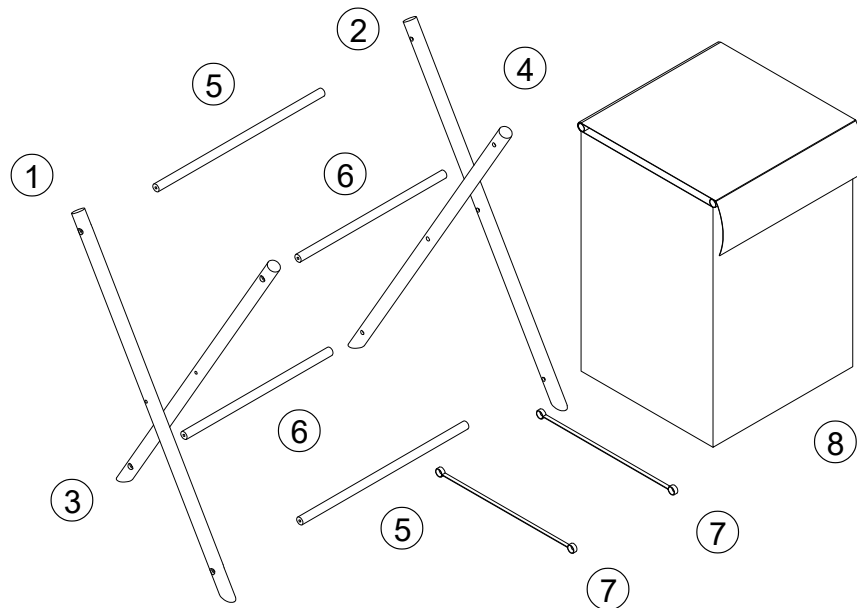
WARNING:

DO NOT STAND ON THE UNIT. USE ONLY ON A FLAT SURFACE. DO NOT USE UNTIL ALL SCREWS, BOLTS AND KNOBS ARE FIRMLY SECURED. THIS PRODUCT CONTAINS SMALL PARTS AND SHARP POINTS, KEEP AWAY FROM CHILDREN AND BABIES. ADULT ASSEMBLY REQUIRED. FAILURE TO FOLLOW THESE WARNINGS COULD RESULT IN SERIOUS INJURY.

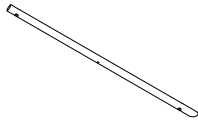
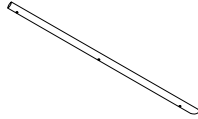
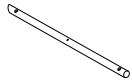
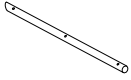
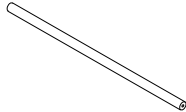
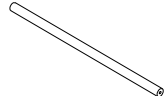
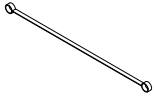
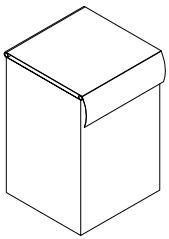

MAXIMUM LOADING WEIGHT: 3KG.

Hardware list

	A	M5x35mm	8pcs		C		1pc
	B	M6x40mm	2pcs		D		4pcs

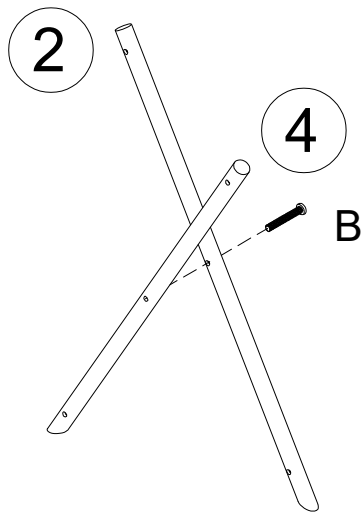
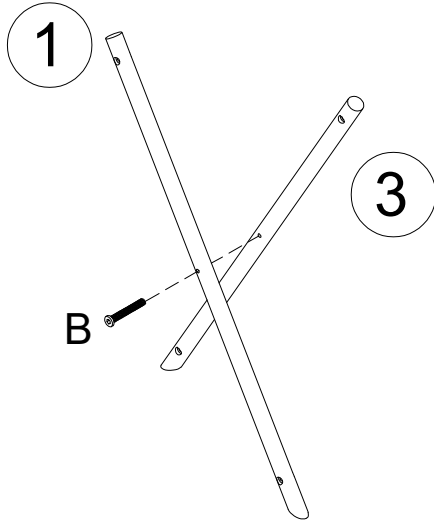


Do not tighten the screws fully during assembly.
Fully tighten screws after the final assembly steps

					
①	1PC	②	1PC	③	1PC
					
④	1PC	⑤	2PCS	⑥	2PCS
					
⑦	2PCS	⑧	1PC	⑨	1PC

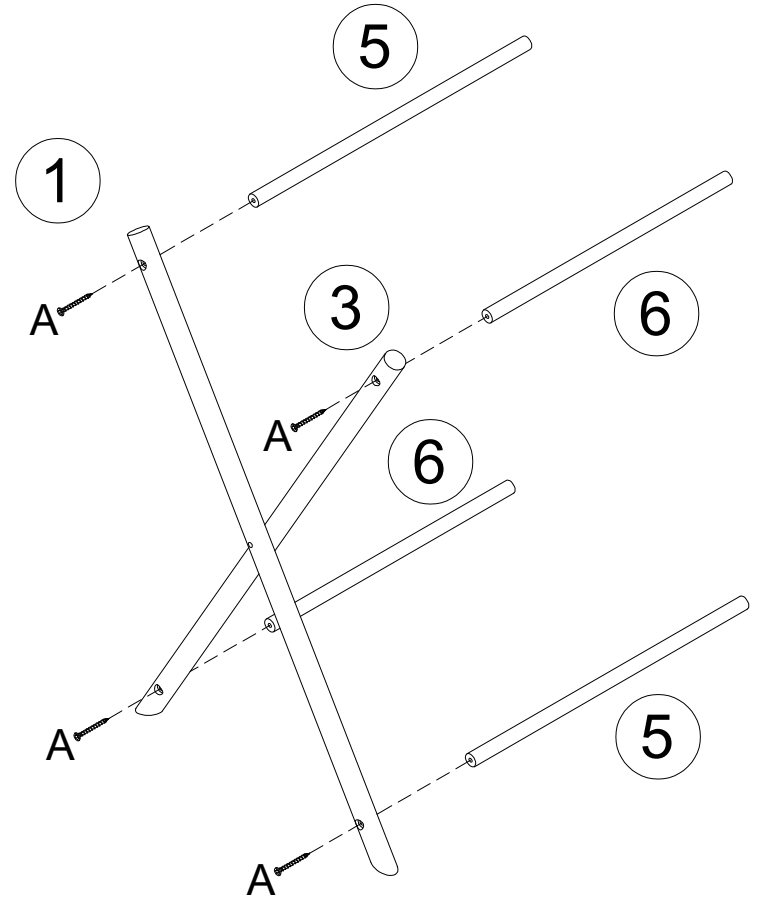
STEP 1

 B X 2

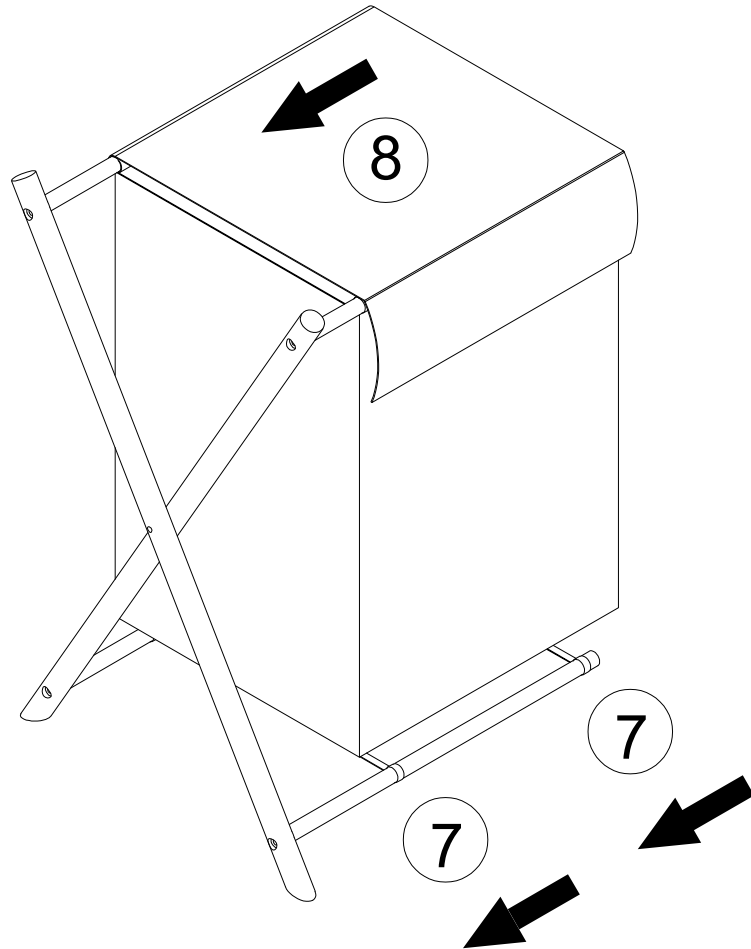


STEP 2

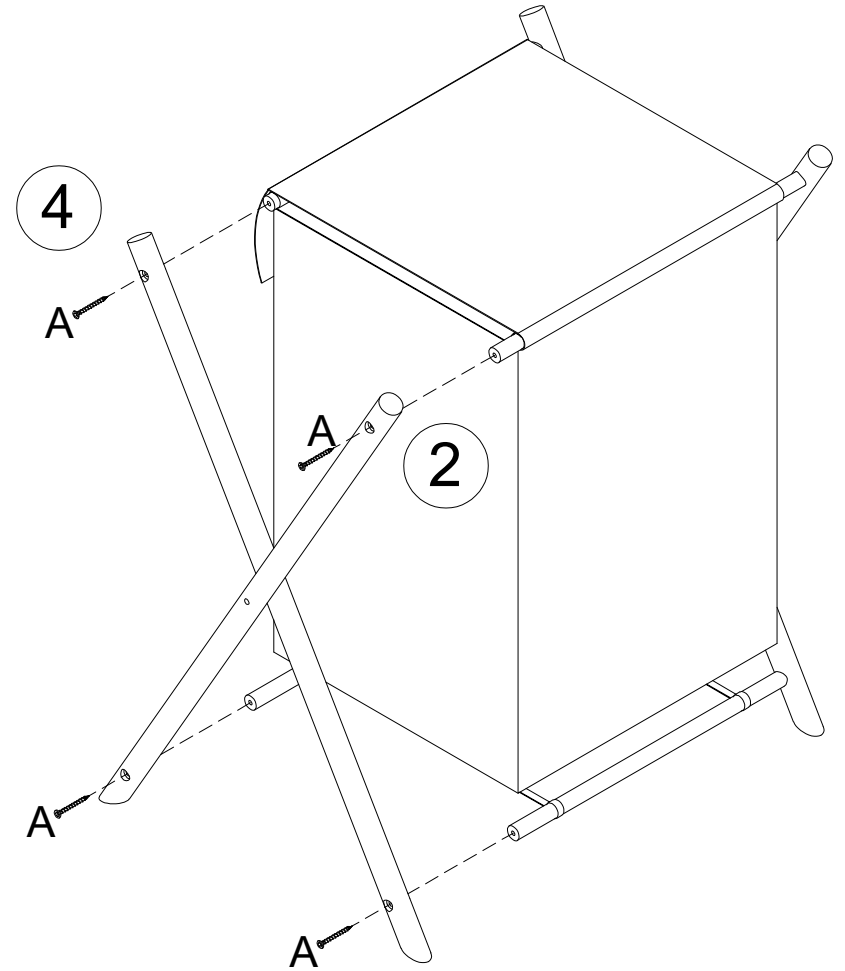
 A X 4



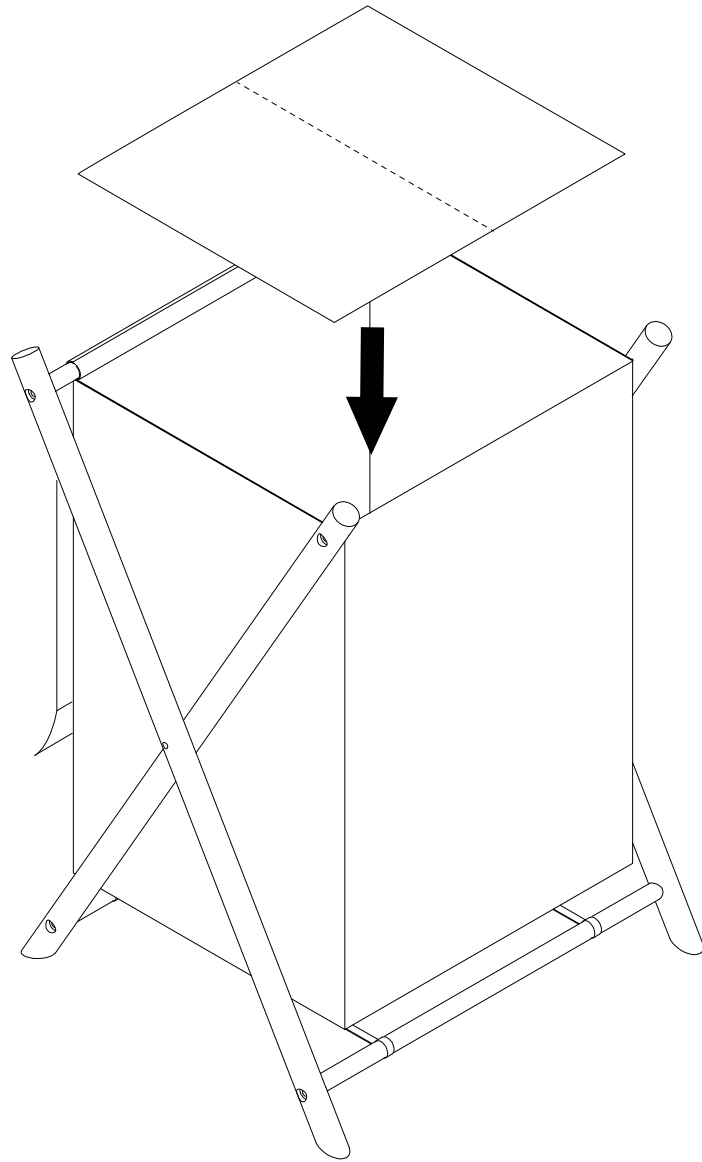
STEP 3



STEP 4



STEP 5



STEP 5

○ Dx4

