

Assembly Instructions

K:43691135 T:72405888 WALNUT LOOK SHOE BENCH

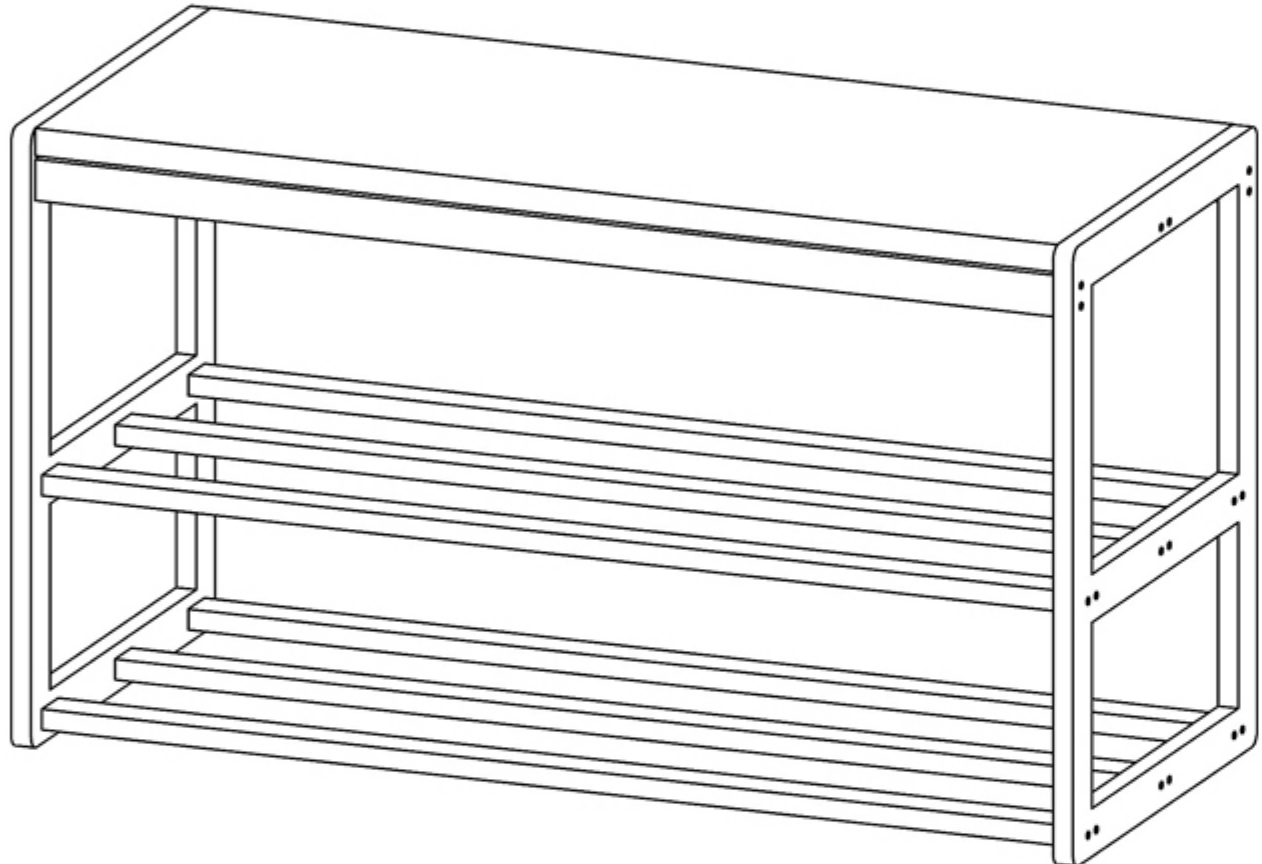
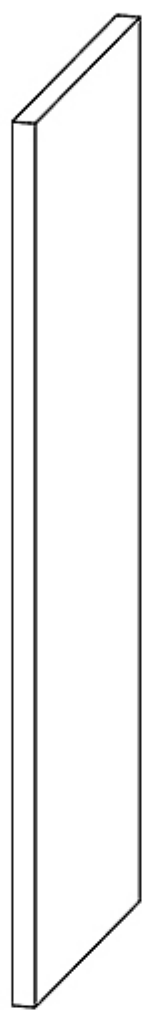
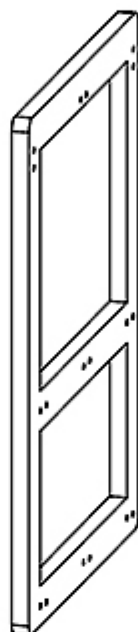

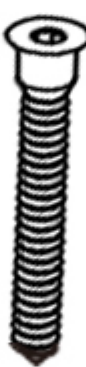
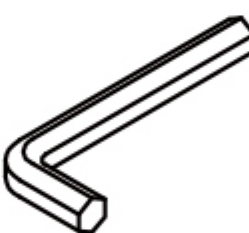
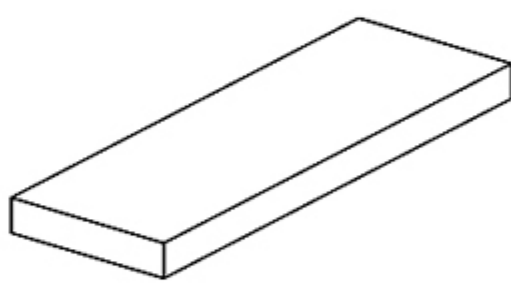
CARE INSTRUCTIONS:

WIPE CLEAN WITH A SOFT DAMP CLOTH. NEVER USE SCOURERS, ABRASIVES OR CHEMICAL SOLVENTS. KEEP AWAY FROM MOISTURE AND DIRECT SUNLIGHT. STORE IN A DRY PLACE. FOR INDOOR USE ONLY.

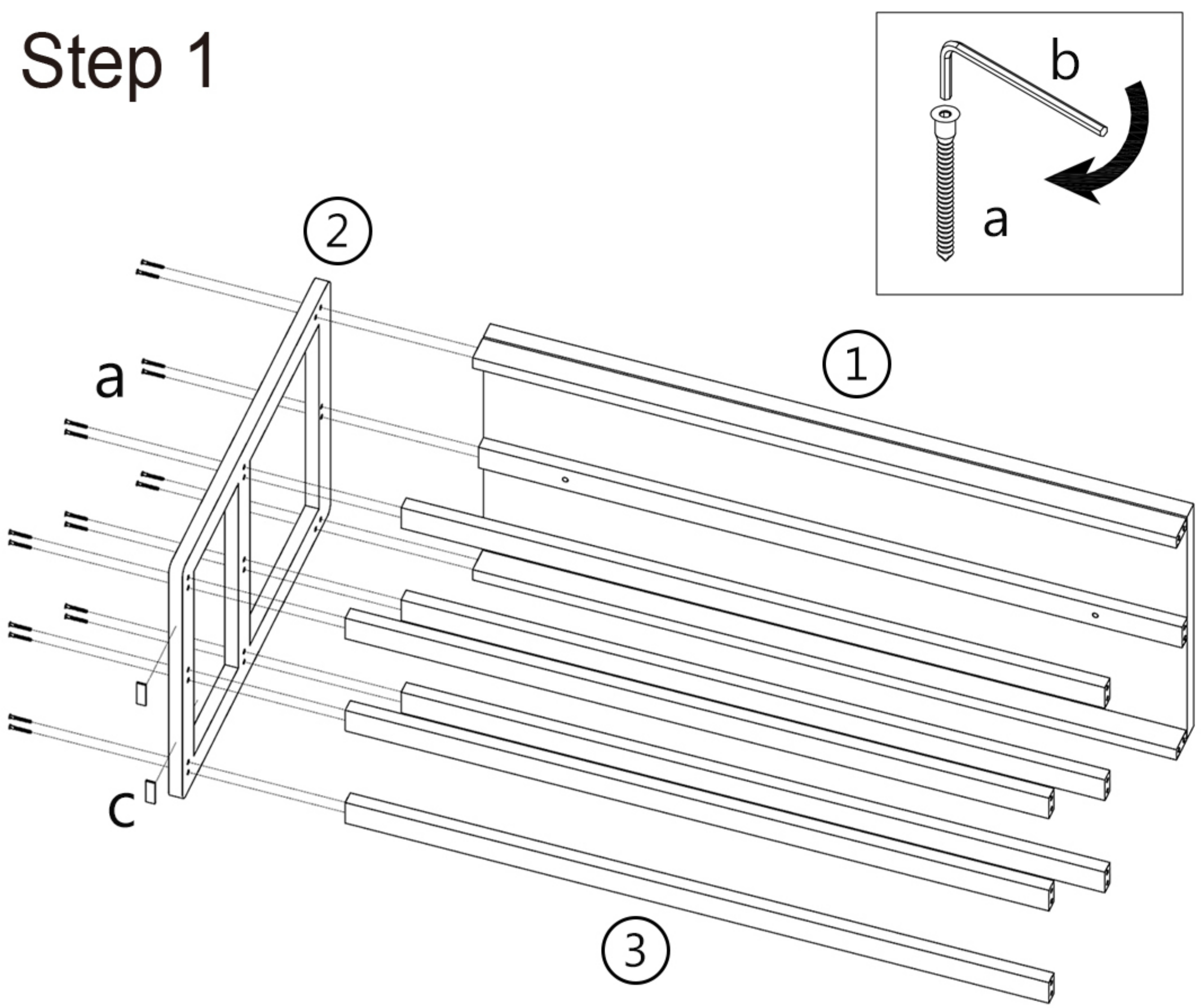
WARNING:

DO NOT USE THIS UNIT AS A STEP LADDER. ENSURE THIS UNIT IS USED ONLY ON A FLAT SURFACE. DO NOT USE THIS UNIT UNLESS ALL BOLTS AND SCREWS ARE FIRMLY SECURED. DO NOT PLACE HOT OBJECTS SUCH AS COFFEE CUPS DIRECTLY ON THE SURFACE OF THIS FURNITURE ITEM. THIS ITEM IS FOR STORAGE PURPOSES ONLY. CONTAINS SMALL PARTS. IT IS TO BE ASSEMBLED BY AN ADULT. FAILURE TO FOLLOW THESE WARNINGS COULD RESULT IN SERIOUS INJURY.


MAXIMUM SAFE LOAD: SEAT SURFACE: 80kg, EACH SHELF: 5kg.

	<p>① x 1</p> 	<p>② x 2</p> 	<p>③ x 8</p> 
	<p>a x 36</p>	<p>b x 1</p>	<p>c x 4</p>
	 <p>M5x35</p>		

Step 1

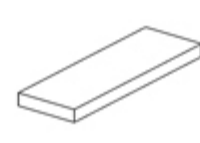


x18



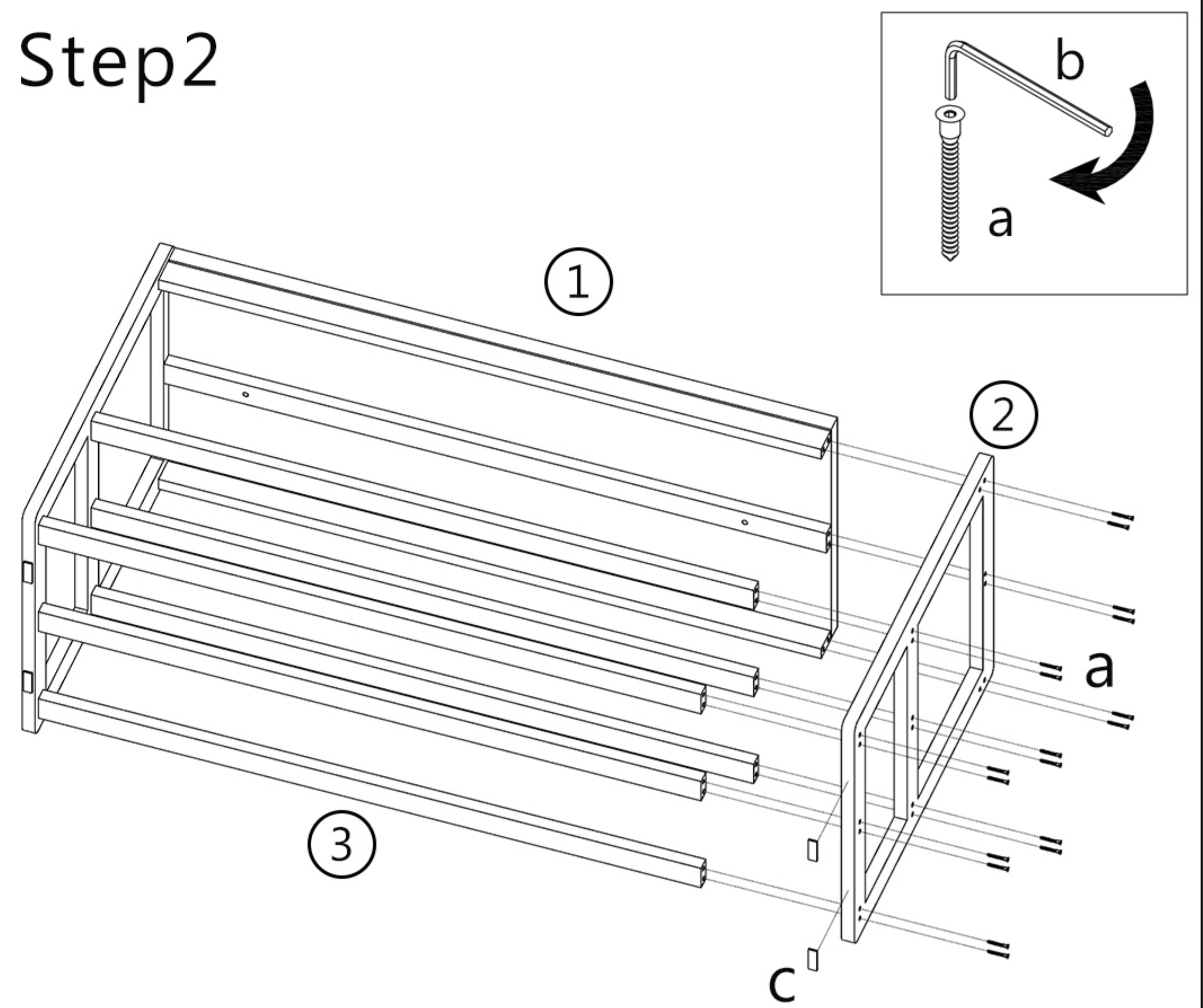
a

x2




b

Step 2

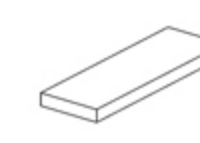


x18



a

x2



b