

# Assembly Instructions

K: 43691104| T: 72405369 4 TIER METAL SHOE RACK

## CARE INSTRUCTIONS:

Wipe clean with a damp cloth. Keep away from water and direct sunlight. For indoor and domestic use. Check and tighten all parts regularly.

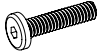
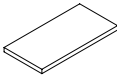


## WARNING:

Do not stand, sit, or lean on the product. Do not drag the product. Use only on a flat surface. Do not use until all screws, bolts and knobs are firmly secured. This product contains small parts and sharp points, keep away from children and babies. Adult assembly required. Failure to follow these warnings could result in serious injury.


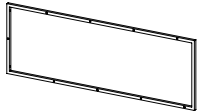


**MAXIMUM SAFE LOAD: 5KG FOR TOP PANEL, 5KG FOR EACH LAYER.**

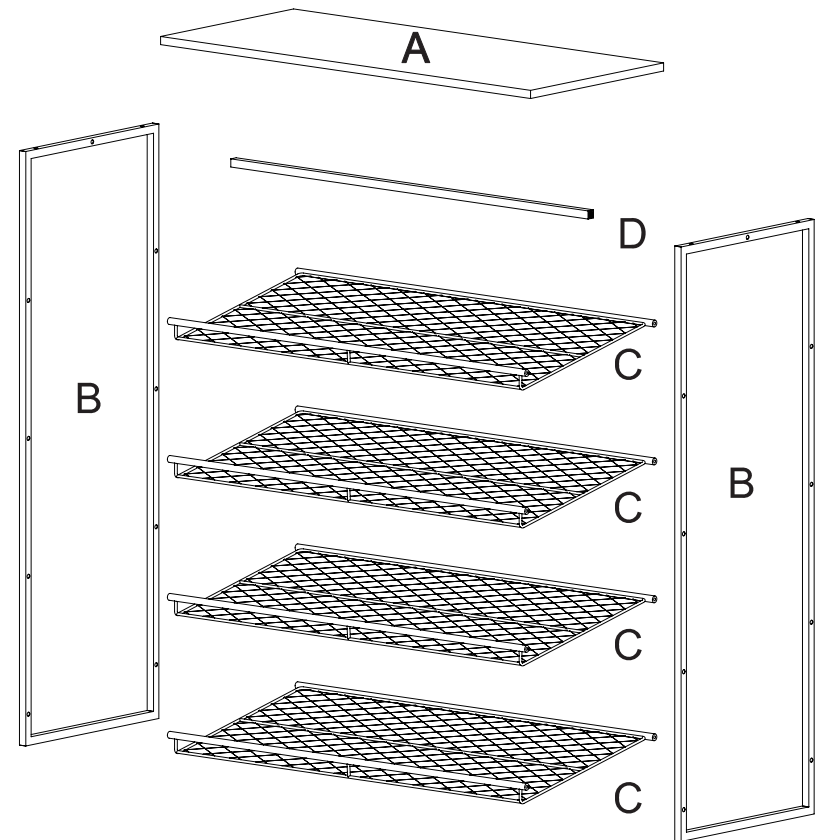
①

## Hardware List

	a	M5x22	22PCS
	b		4PCS
	c		2PCS
	d		1PC

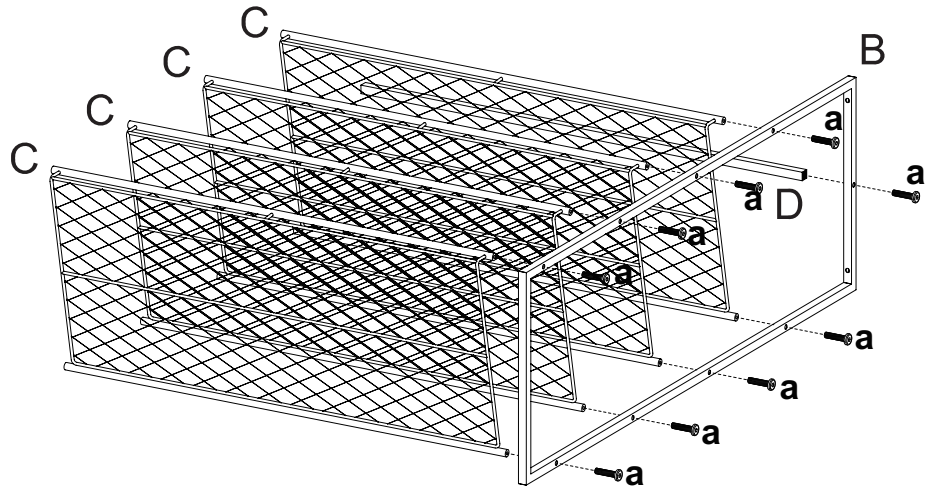
②

			
A	B	C	D
x1	x2	x4	x1

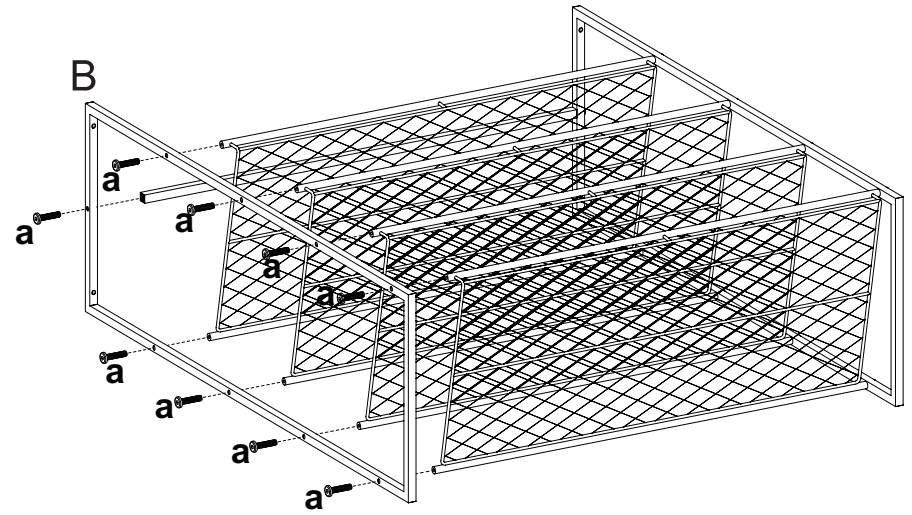


Do not tighten the screws fully during assembly  
Fully tighten screws after the final assembly steps

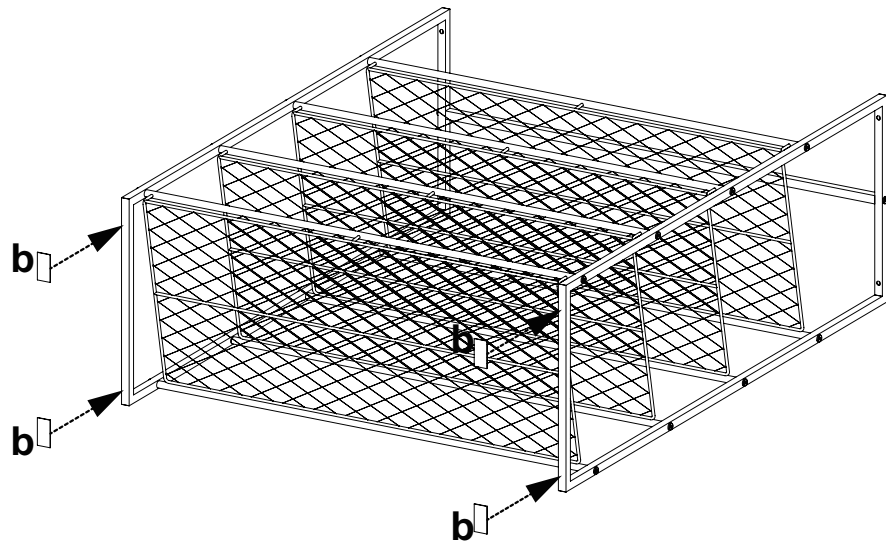
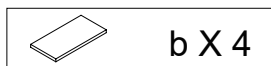
STEP 1



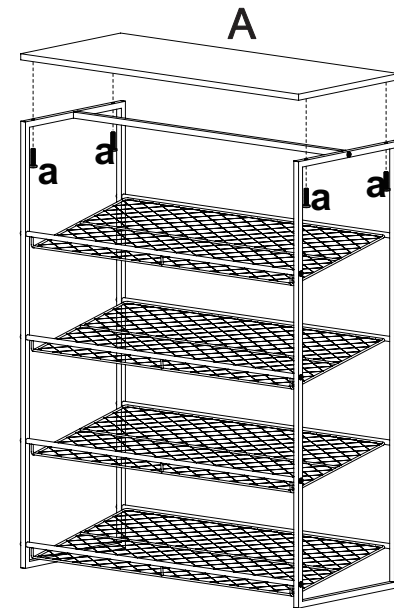
STEP 2



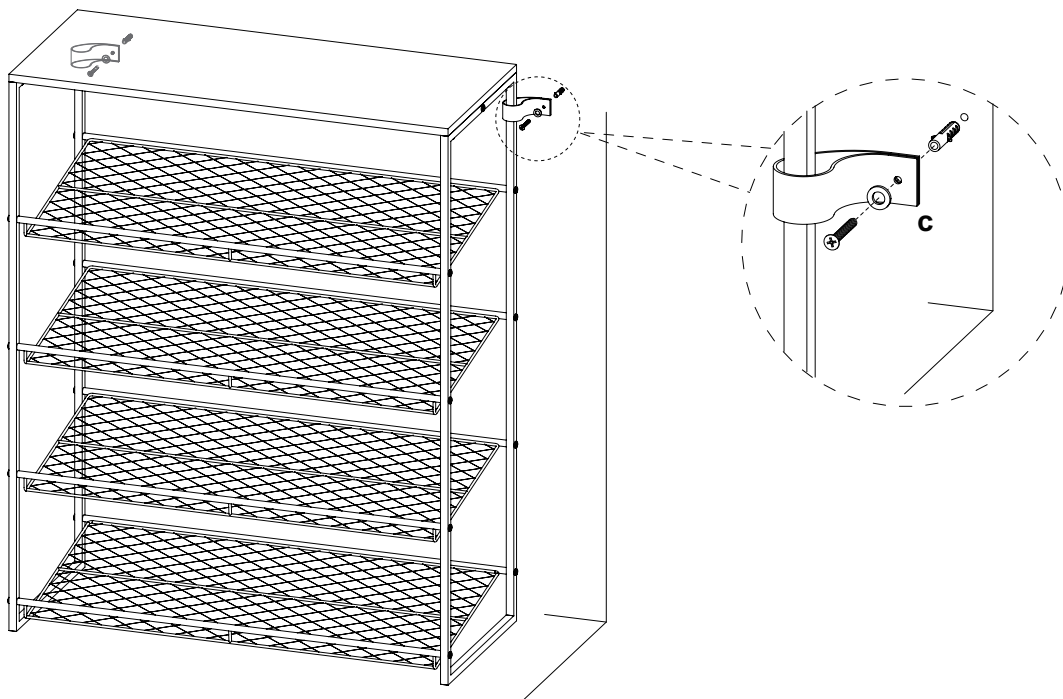
STEP 3



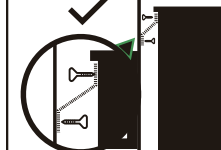
STEP 4



## STEP 5



## ⚠ WARNING



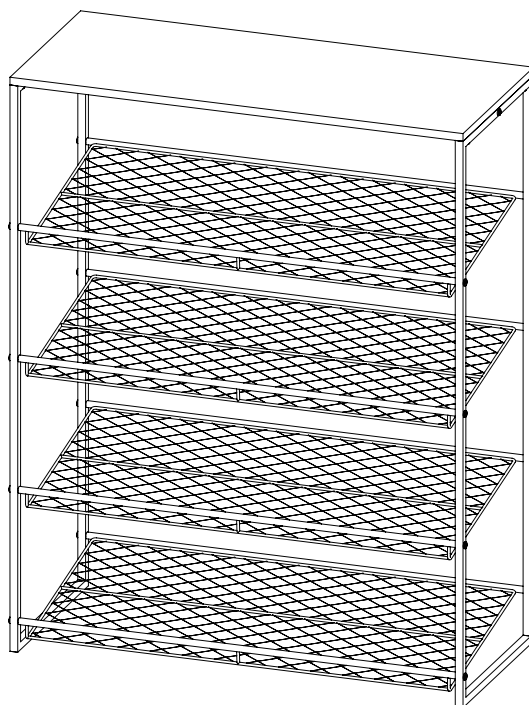
**Children have died from furniture tipover.**

- ALWAYS secure it with an anchor device.
- NEVER allow children to stand, climb or hang on drawers, doors, or shelves.
- NEVER open more than one drawer at a time.
- Place heavy items down low.

NEVER put a TV  
on this furniture



This is a permanent label. Do not remove!



### TOPPLING FURNITURE WARNING:

- **ALWAYS secure it with an anchor device.**
- **Please seek professional advice if you are in doubt of what fixing device to use.**
- **Regularly check that anchors are securely maintained.**
- **Use safety drawer locks to prevent children climbing.**
- **Stability of tall items may be affected by thick pile carpet or uneven floors .**
- **Do not place unanchored televisions on furniture .**

**CAUTION:** for your safety when attaching the anchor fixings, please note the following:

- **Check any electrical wires or plumbing inside the wall before drilling any holes (if you are unsure please seek professional advice from a qualified tradesperson).**



TOPPLING HAZARD

WARNING: PLEASE SECURE  
YOUR FURNITURE WITH  
THE SUPPLIED WALL FIXING.  
SCAN THE CODE FOR  
MORE INFORMATION.

