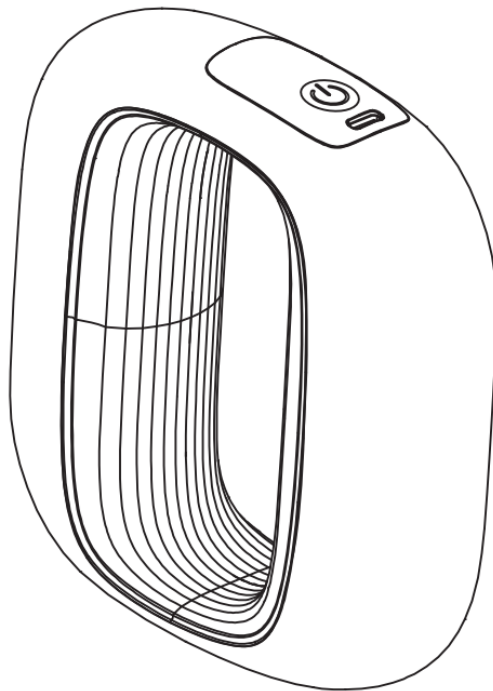


anko

VIBRATION RING MASSAGER

User Manual



Model no.: ITMG-10

PLEASE READ AND SAVE THESE
INSTRUCTIONS FOR FUTURE REFERENCE

IMPORTANT SAFEGUARDS

FOR HOUSEHOLD USE ONLY.

Thank you for buying our Vibration Ring Massager. Please read the user manual before use to ensure correct operation method.

Warning

- This appliance is not intended for used by persons (including children) with reduced physical, sensory, or mental capabilities, or lack of experience and knowledge, unless they have been given supervision or instructions concerning use of the appliance by a person responsible for their safety.
- This massager is not a toy. Children should be supervised to ensure that they do not play with the appliance and/or USB cable.

For the details of charging, please refer to section “Operation Instructions”

Safety Precautions

Please consult a doctor before using the massager, especially if you have other health problems.

- **DO NOT** use this product as a substitute for medical attention.
- This product is not intended for medical use. It is intended only to provide a comfortable massage. If you have any concerns regarding your health or are recovering from an injury or surgery, consult your doctor before using this appliance.
- Individuals with heart pacemakers should consult a physician before using this product.
- In case of pregnancy, diabetes, or illness, consult your doctor before using this product.
- **NEVER** use the massager on face, open wounds, discoloured areas, areas of poor circulation, or any areas of the body that are swollen, burned, inflamed, or where skin eruptions or sores are present.
- It is normal to feel itching, tingling, or see redness on the skin where the massager was used. These symptoms will soon disappear. However, if these symptoms remain for an extended period, we suggest you consult your doctor as there may be a more serious underlying health issue.
- To prevent bruising, **DO NOT** press too hard on the device.
- **DO NOT** use the machine while under the influence of alcohol., sleeping pills, or sedatives.
- **DO NOT** apply on non-dry or non-clean skin surface. We would like to suggest you use it across your clothes. Gently press and move on the skin, about 60 seconds for each part.

To protect against the risk of electric shock:

- DO NOT use in the bath, shower, spa, pool etc.
- DO NOT immerse the massager, USB cable, or charger in water or other liquid.
- DO NOT use or store the product near sinks, baths, or showers containing water or near running water.
- DO NOT use this appliance if it has been dropped or any part of the appliance has been damaged.
- The use of accessories not intended for used with this appliance may cause injuries to the user or damage the appliance.
- DO NOT place this unit on other appliances, on uneven surfaces, or where it could be subject to heat sources (e.g., radiators or stoves), direct sunlight, or excessive dust.

Very Important!

- Ensure that the charger (not supplied) and USB cable does not get wet.
- Do not use your charger or the USB cable with wet hands.
- Do not immerse the USB cable in water or other liquids or use near sinks, baths or showers.
- **IMPORTANT! Only Charge the Appliance with the USB cable that was supplied with the Appliance.**
- This appliance must only be charged using a certified power supply unit with Safety Extra Low Voltage (SELV) output voltage corresponding to the marking on the appliance.
- Position the USB cable properly so that it will not be walked on or pinched by items placed on or against them.
- Inspect the USB cable, Appliance and accessories for damage before every use. If damaged do not use.
- When charging the appliance, the power switch must be set to OFF.
- Please pull out the charger after charging.
- Please do not use the massager for longer than 15 minutes at a time. Please wait for at least 30 minutes before using it again.
- It is normal for the charger to become warm to touch when charging.
- Use only attachments provided.
- Do not replace the batteries with non-rechargeable batteries.



WARNING: Do not recharge non-rechargeable batteries.



WARNING: Before charging the product, please make sure your hands are dry.



WARNING

Only use the USB cable that was supplied with this Appliance.

Consumers are cautioned against trying to replace the battery. Using and/or purchasing counterfeit and/or inferior quality batteries have the potential to cause fire, personal injury, and/or damage to property. These batteries are typically found on online-auction websites or from other retailers and are known to pose a potential safety risk.

Never try to charge non-rechargeable batteries as they may explode or catch on fire or cause personal injury and/or damage to property.

- Batteries may explode if disposed of in fire.
- The battery is not replaceable. Do Not open the appliance.
- Do not use or store in temperatures above 40°C.



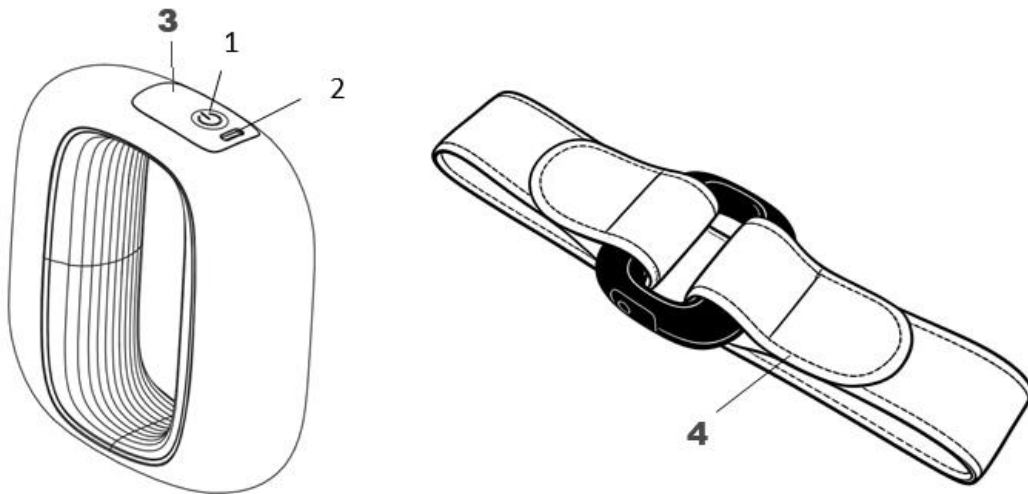
At the end of the appliance's life, it must be disposed of correctly.

Contact your local waste management authority for more information on Battery Recycling and disposal regulations in your area.

Do not dispose of electrical appliances or batteries as unsorted municipal waste, use separate collection facilities. Contact your local council for information regarding the collection systems available in your area. If electrical appliances are disposed of in landfills or dumps, hazardous substances can leak into the groundwater and get into the food chain, damaging your health and well-being. Please contact your local council or regional authority for more information on the collection, reuse, and recycling programmes.

Read and Save These Instructions

PARTS



1. ON/OFF button
2. USB-C charging port
3. LED display
4. Adjustable strap

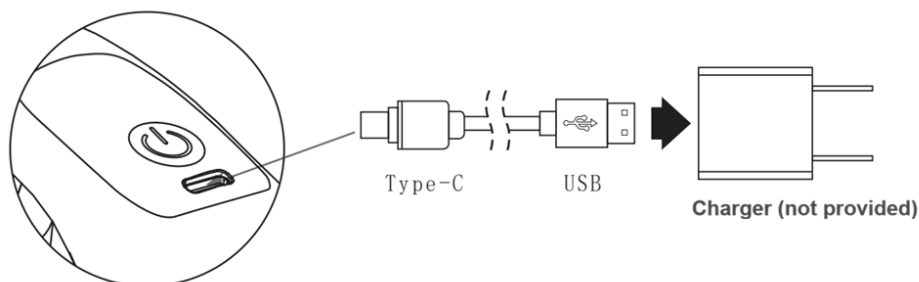
Operation Instructions

Battery Charging

Before first use, the Vibration Ring Massager should be fully charged.

Connect the charging cable to a suitable charger with USB output (DC 5V, 2A).

To charge the massager fully, the charging time is approx. 2.5hours.



While charging, a running digital display **88** will illuminate.

When fully charged, a solid digital display will illuminate.

When the battery is low, the display will flash.

The massager ring cannot work during charge. It needs to be disconnected from the power supply before use.

NOTE: Please keep the battery fully charged every three months if not used for a long time.

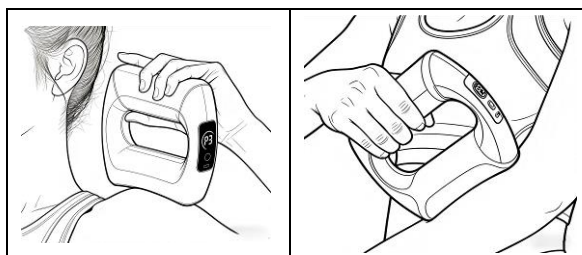
Using Your Massager

1. Press and hold the “ON/OFF” button to turn the massager on. The LED display will show intensity or mode settings.
2. The Vibration Massage Ring provides 5 intensity levels and 3 massage mode, which can be selected by pressing the “On/Off” button.
 - Intensity indicator: L1/ L2/ L3/ L4/ L5
Continuous vibration in different intensity, L5 is the strongest.
 - Mode indicator: P1/ P2/ P3
Pulsating vibration in different patterns, applying L5 intensity
3. Default setting is intensity 1 (L1). Continue to press the “ON/OFF” button to increase the intensity (L1, L2, L3, L4, L5). Once through the intensity cycle, press again to enter massage mode selection (P1, P2, P3).
4. LED display shows count down time once massager has started operation. The massager will auto shut off at 15 minutes.
5. You can either gently move the massager over the part of the body you want to massage (use as Handheld massager); or you can attach the massager to any part of your body that needs a massage (use Flexible strap).
6. If you are a first-time user, it is recommended that you start on intensity level 1 (L1) and press gently.
7. A long press on the “ON/OFF” button will turn the massager off. This unit is off when display is turned off.

DO NOT use the product continuously for more than 15 minutes. If use for over 15 minutes, it will trigger the Auto Shut Off. Please wait for at least 30 minutes before reusing.

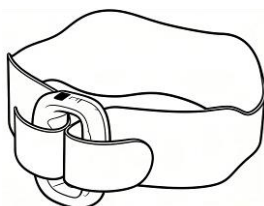
Use as handheld massager

Apply to areas such as shoulders, arms and legs, area with soft tissue and large muscle groups.

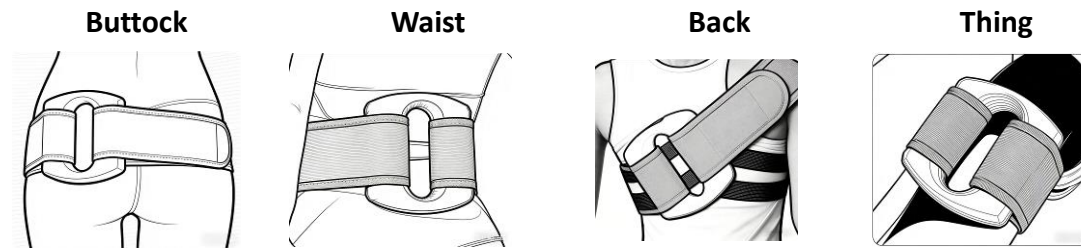


Use with flexible strap

Thread both ends of the strap through the massager ring, then fasten securely. (The length of the belt can be adjusted to meet different needs.)



Suitable for multiple body parts including the back, abdomen, legs, and arms. Free your hands and enjoy flexible post-workout recovery.



Cleaning & Maintenance

Please do remember to turn off the massager ring before cleaning.

- Please clean it with a slightly damp towel, then dry it with a soft cloth.
- Please do not use cleaners, cleaning brushes, gasoline, kerosene, glass cleaners or thinners to clean it.
- Please store it in the original box or put it in a safe, dry, cool and ventilated place after wiping off the dust and dirt.
- The massager ring is specially designed and manufactured, so there is no need to maintain or add lubricating oil regularly

Storage

If you do not intend to use the massager ring for a long time, clean as described in the part of "CLEANING AND MAINTENANCE". Then store the massager ring and all accessories in a dry, clean place, away from direct sunlight and heat.

SPECIFICATION

Model no.:	ITGM-10
Battery type:	7.4V 1500mAh, li-ion
Charging time:	3-5 hours
Working time:	Approx. 4h 30min (L5)

12 Month Warranty

Thank you for your purchase.

Your new product is guaranteed to be free from defects in materials and workmanship for the period stated above, from the date of purchase, provided that the product is used in accordance with accompanying recommendations or instructions provided. This warranty is in addition to your rights under the Australian Consumer Law.

For New Zealand customers, this warranty is in addition to statutory rights observed under New Zealand legislation.

We will provide you with your choice of a refund, repair (where possible) or exchange (availability dependent) for this product if it becomes defective within the warranty period. The business will bear the reasonable expense of claiming the warranty.

This warranty will no longer apply where the defect is a result of alteration, accident, misuse, abuse or neglect.

Please retain your receipt as proof of purchase and contact our Customer Service Centre as listed below, for the entity you purchased this product from, for any difficulties with your product. Warranty claims and claims for expenses incurred in returning this product can be addressed to the respective Customer Service Centre.

Our goods come with guarantees that cannot be excluded under the Australian Consumer Law. You are entitled to a replacement or refund for a major failure and compensation for any other reasonably foreseeable loss or damage. You are also entitled to have the goods repaired or replaced if the goods fail to be of acceptable quality and the failure does not amount to a major failure.

Contact for Kmart purchases	Contact for Target purchases
Kmart Australia Ltd. C/- Customer Service Centre L2/ 1 MIDDLE ROAD, CHADSTONE VIC 3148 AUSTRALIA Customer Service: 1800 124 125 (Australia) or 0800 945 995 (New Zealand) or via Customer Help at kmart.com.au	Target Australia Pty Ltd C/- Customer Service Centre L2/ 1 MIDDLE ROAD, CHADSTONE VIC 3148 AUSTRALIA Customer Service: 1300 753 567 or via Customer Help at target.com.au/help/contact-us