

Instruction Manual

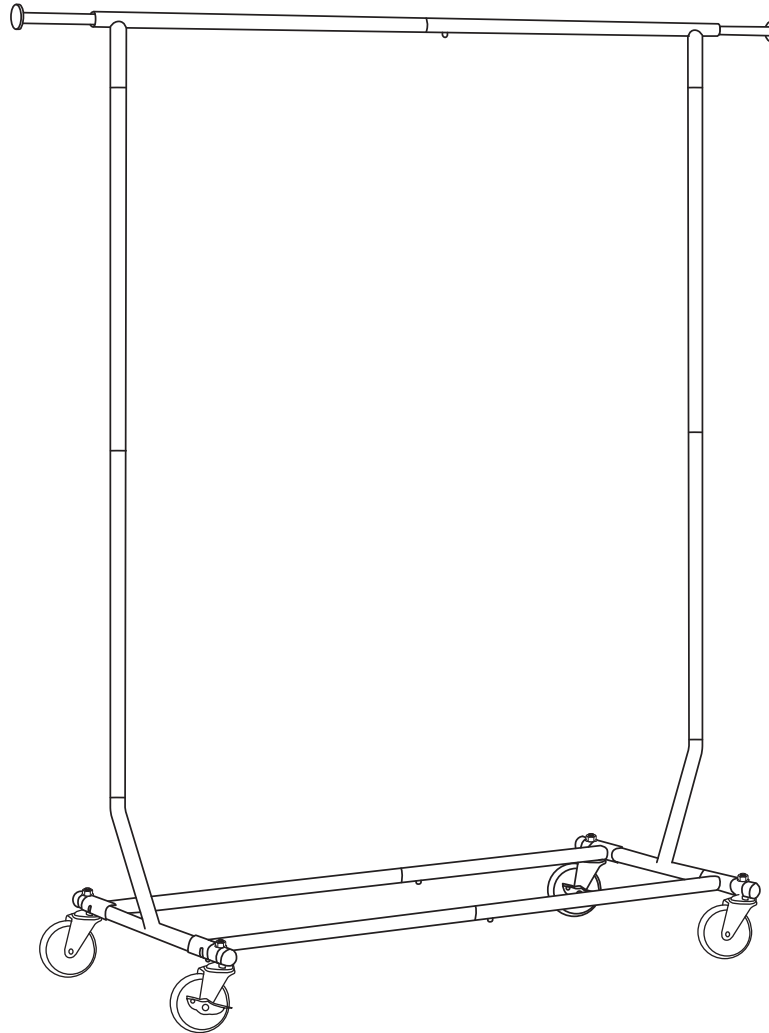
Heavy Duty Garment Rack

K:43-691-005 | T:72-405-048

CARE INSTRUCTION: WIPE CLEAN WITH A SOFT DRY OR DAMP CLOTH. KEEP AWAY FROM WATER AND DIRECT SUNLIGHT. FOR INDOOR AND DOMESTIC USE. CHECK AND TIGHTEN ALL PARTS REGULARLY.

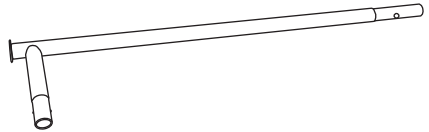
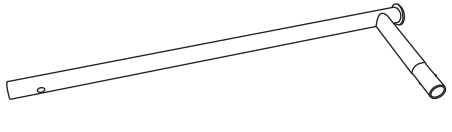
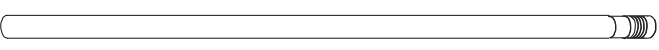

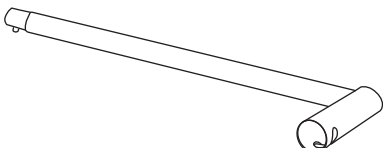
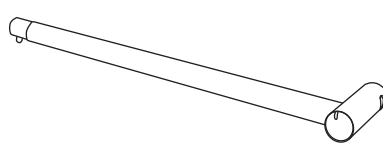
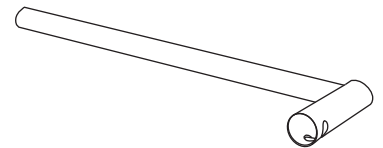
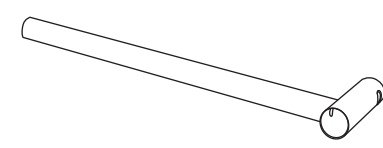
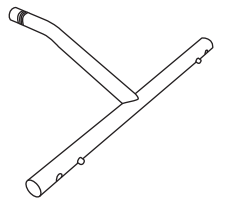
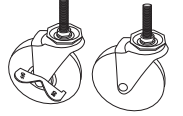


WARNING: DO NOT STAND ON THE UNIT. DO NOT LEAN ON THE PRODUCT. DO NOT USE UNTIL ALL SCREWS, BOLTS AND KNOBS ARE FIRMLY SECURED. THIS PRODUCT CONTAINS SMALL PARTS AND SHARP POINTS, KEEP AWAY FROM CHILDREN AND BABIES. ADULT ASSEMBLY REQUIRED. FAILURE TO FOLLOW THESE WARNINGS COULD RESULT IN SERIOUS INJURY.

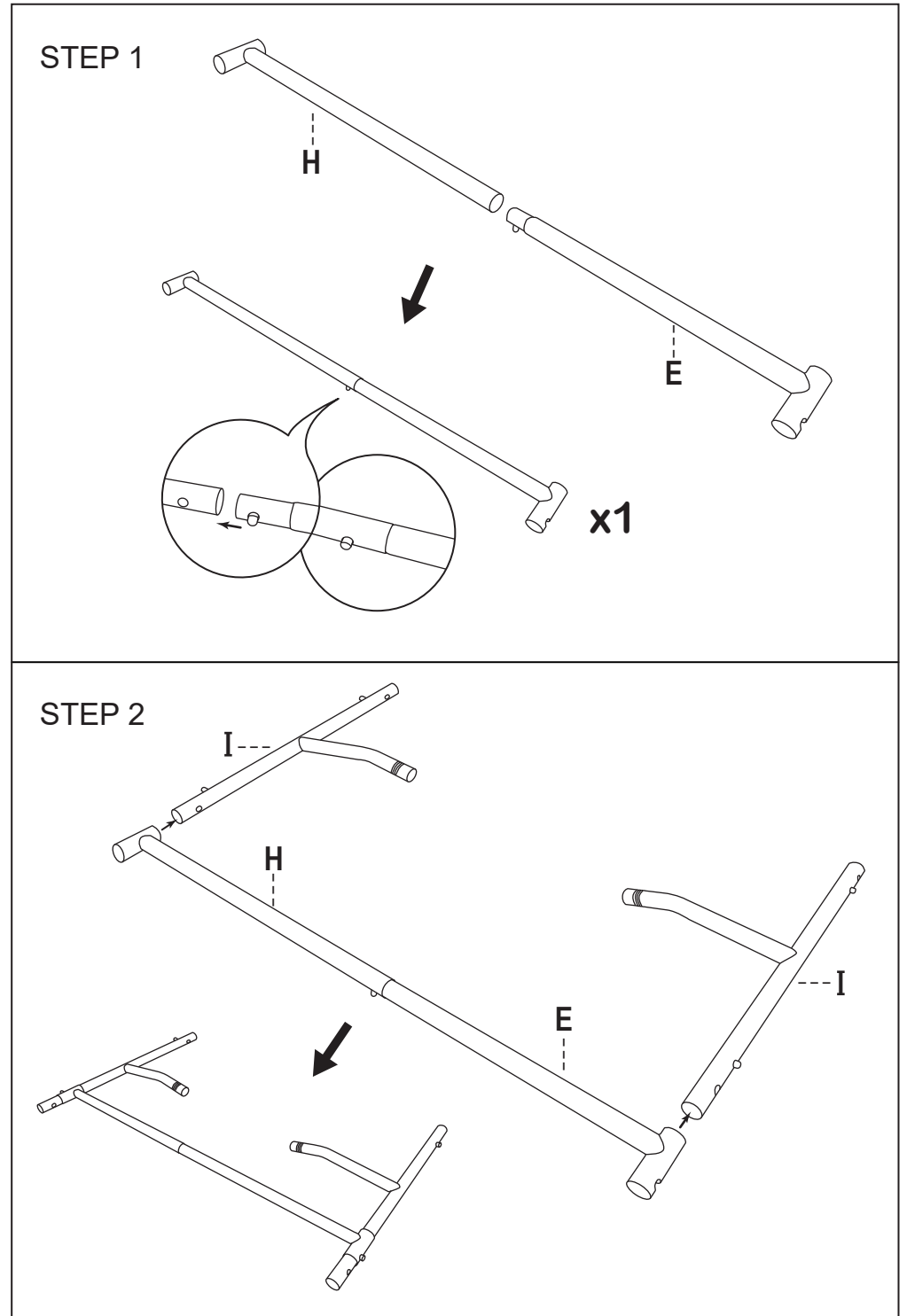
MAXIMUM LOADING WEIGHT: 30KG.



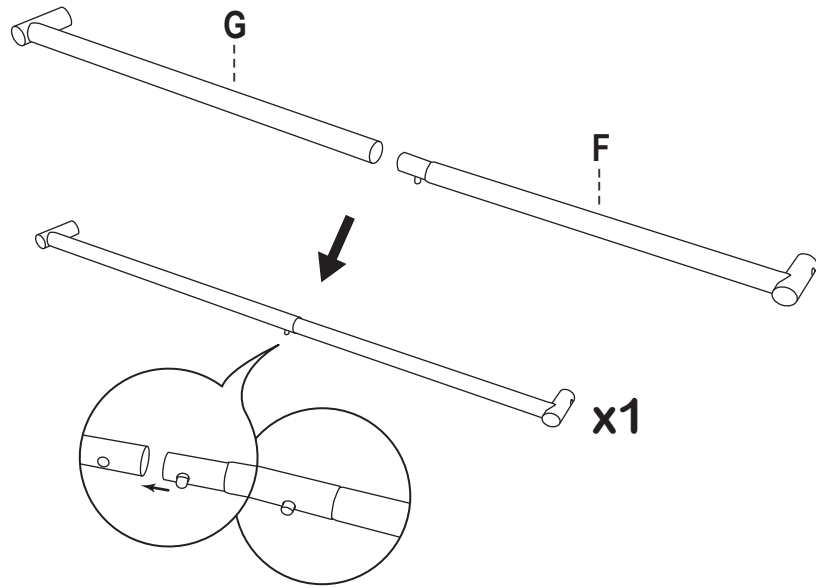
Tips: Please wear gloves when using.

Hardware list

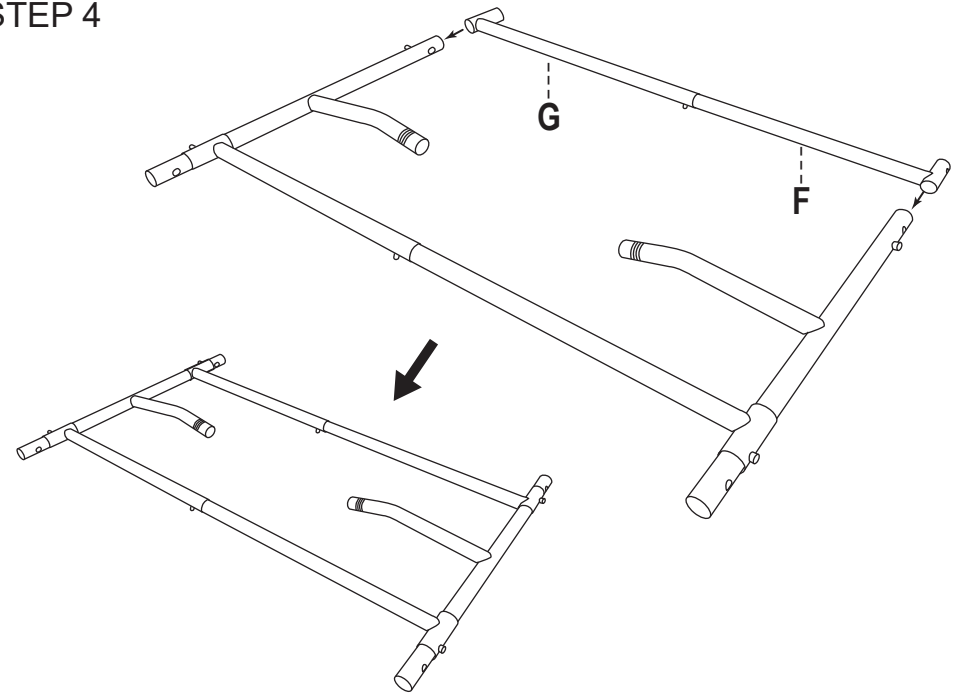
			
A	1PC	B	1PC
		C	2PCS
		D	2PCS
			
E	1PC	F	1PC
			
G	1PC	H	1PC
			
I	2PCS	J	4PCS
			
K	4PCS	L	4PCS



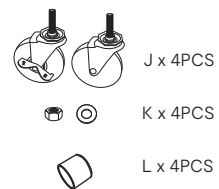
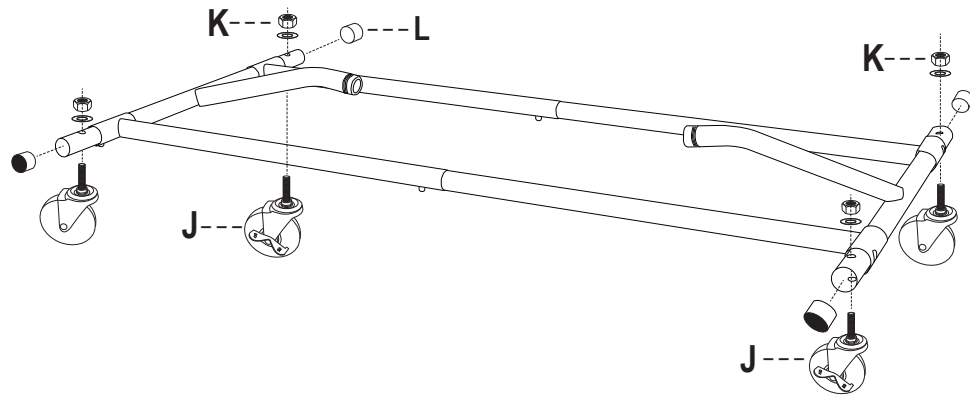
STEP 3



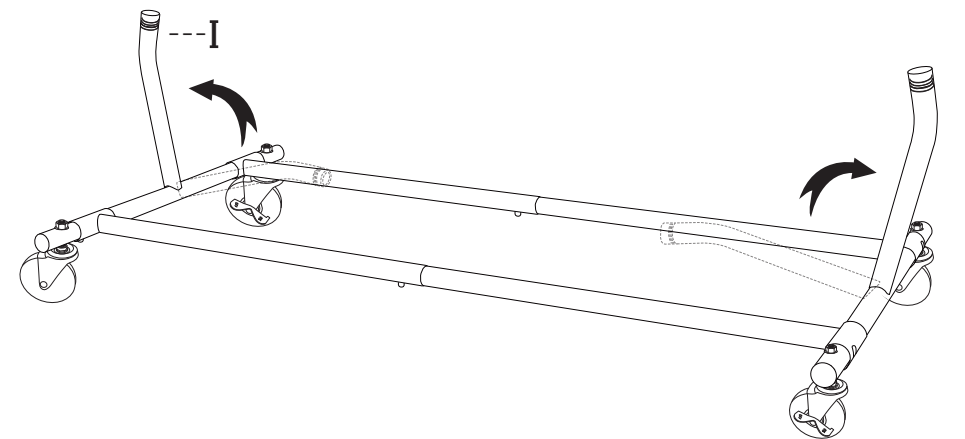
STEP 4



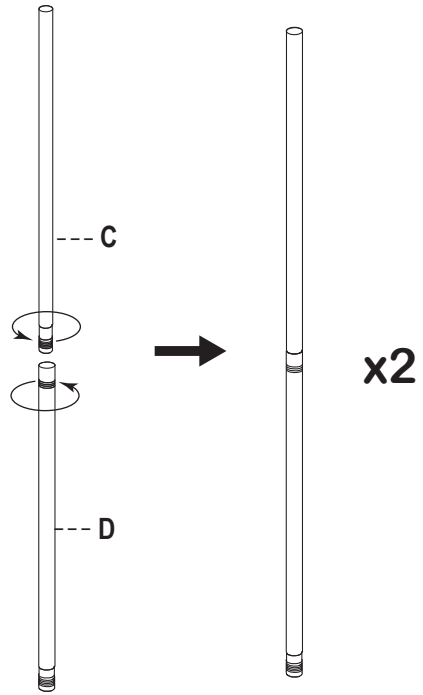
STEP 5



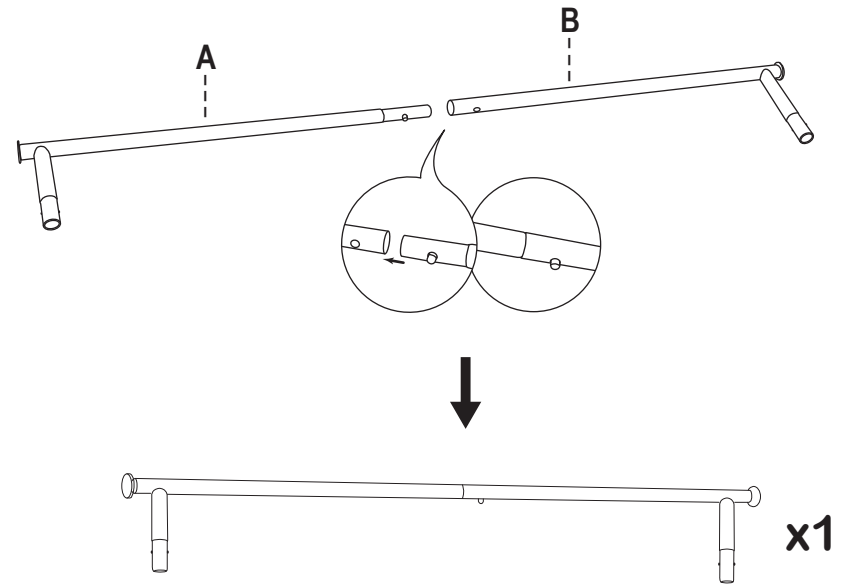
STEP 6



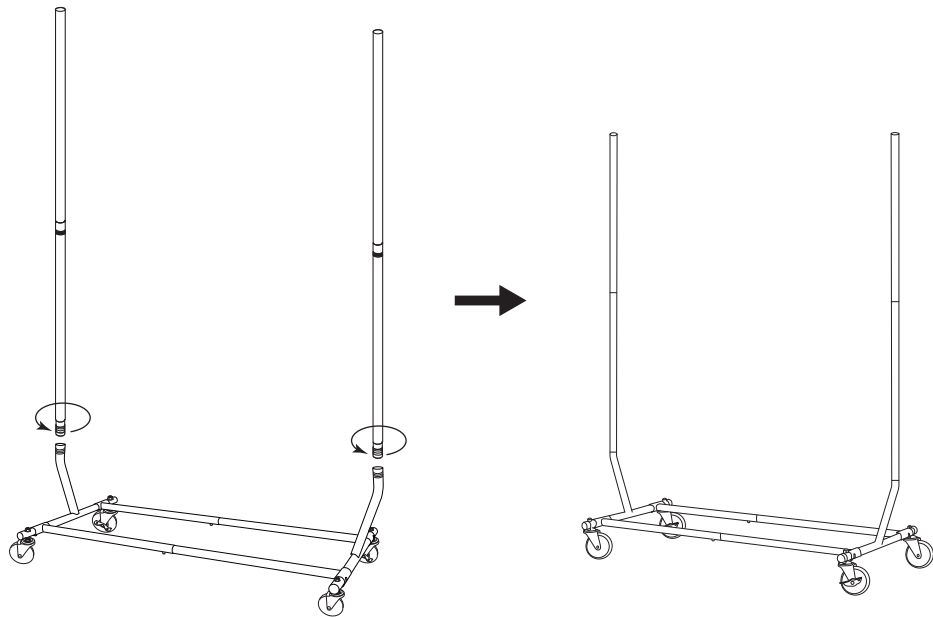
STEP 7



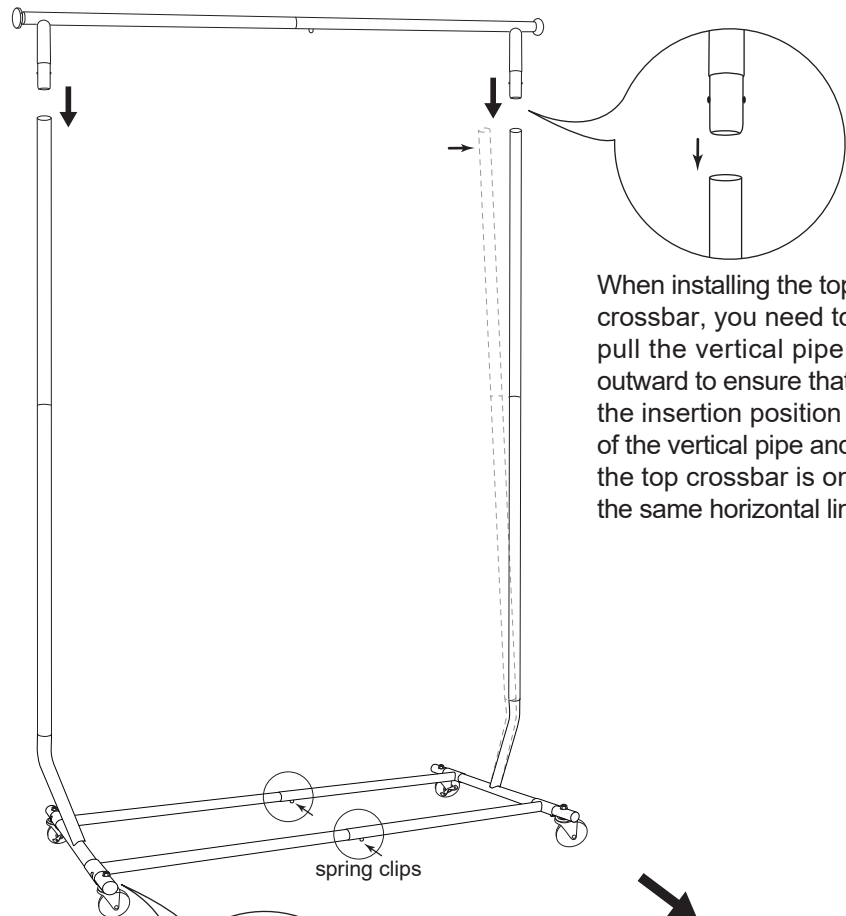
STEP 9



STEP 8



STEP 10



When installing the top crossbar, you need to pull the vertical pipe outward to ensure that the insertion position of the vertical pipe and the top crossbar is on the same horizontal line.



Before installing the top crossbar, make sure that all the spring clips at the bottom are in the extended position.

