


29.7cm

21cm


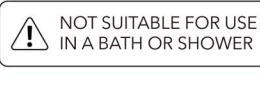
## STEAM SAUNA POD USER GUIDE

Model: 43690961




This appliance is not intended for use by persons (including children) with reduced physical, sensory, or mental capabilities, or lack of experience and knowledge, unless they have been given supervision or instruction concerning use of the appliance by a person responsible for their safety. Children should be supervised to ensure that they do not play with the appliance.


Do not use for any other purpose. If it is not working properly, please stop using immediately.

11




\*Please read the instruction carefully before install and use this STEAM SAUNA POD. Keep this instruction for further reference.




### Before You Start

- ⚠ Please read all instructions carefully.
- ⚠ Retain instructions for future reference.
- ⚠ Separate and count all parts and hardware.
- ⚠ Read through each step carefully and follow the proper order.
- ⚠ We recommend that, where possible, all items are assembled near to the area in which they will be placed in use, to avoid moving the product unnecessarily once assembled.
- ⚠ Always place the product on a flat, steady and stable surface.
- ⚠ Keep all small parts and packaging materials for this product away from babies and children as they potentially pose a serious choking hazard.
- ⚠ This appliance is not intended for use by persons (including children) with reduced physical, sensory or mental capabilities, or lack of experience and knowledge, unless they have been given supervision or instruction concerning use of the appliance by a person responsible for their safety. Children should be supervised to ensure that they do not play with the appliance.
- ⚠ If the supply cord is damaged, it must be replaced by the manufacturer, its service agent or similarly qualified persons in order to avoid a hazard.



**CAUTION**

**Hot surface.**  
Please do not touch the Insulated Mesh Cover during use to avoid scalding



1

### Tips

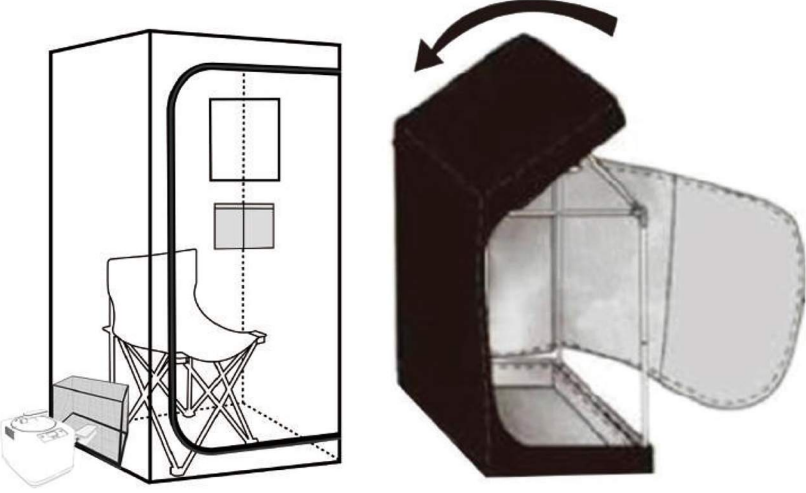
1. The steamer will auto-cut when the water in the pot boils dry it will restart 20 minutes later. If it doesn't restart, please contact supplier. Never turn on the steamer without water added.
2. Don't forget to switch off after use and wipe it clean with a damp cloth after 10 minutes to cooling down. Don't clean the product with water directly.
3. The sauna pod and steamer must be placed at a flat surface. If the steamer doesn't work, don't open the lid immediately. Switch off and let it thoroughly cool down first.
4. Always keep the product clean and in good condition as long as durable to use.
5. Keep the product reach out of children.
6. Flammable, toxic, corrosive or other harmful liquid must not be put into the steamer as it might cause bodily injuries or property damage.
7. The steamer should be only used with the sauna pod. It should not be used for other heating purposes. Don't repair or modify the product by yourself as it will invalidate the warranty.
8. Milk should not be put into the steamer. If you want to use herbs and flowers, remember to use a gauze bag to wrap them in advance.

10

### Steam Pots Care Instruction:

After using, wipe dry with a clean cloth and thoroughly air dry. Regular cleaning can prevent excessive accumulation of scale, which affects thermal conductivity and increases the difficulty of cleaning. Be sure the pot is completely cold through. If there's mild scale, use soft bristled brush or sponge combined with detergent to gently scrub. Be sure the pot is completely cold through. If serious scale, spray or soak the scale area directly with white vinegar, let it stand for 5-10 minutes, and then wipe it off.



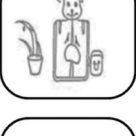
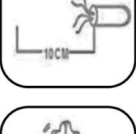


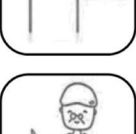

### Start Enjoying Sauna



Everything is ready, put (D) Folding Chair into (A) Sauna Pod. Start the sauna now. Please wipe away the water in the tent after use. Open the steam pod by pulling down the zipper, make sure the steam trendy. After that, you can store the pod. You can clean the sauna pod with wet cloth.

9

### Safety Instructions

-  Please keep the product in balance when using it. To prevent fire hazard, avoid placing the steamer near flammable materials.
-  Pregnant women, hypertensive patient and heart disease patient, it is not recommended to use. Please wait at least 30 minutes after eating before using this product. Do not use this product in time of great hunger for your safety.
-  Do not put animals or plants into the sauna pod.
-  When using the product, stay at least 10cm away from the steam pores. Don't touch the steam pores with bare hand.
-  Do not use the product in humid environment or immerse it into water.
-  The water filled into steamer should not exceed the indicate maximum water limit in case of malfunction.
-  User should drink 200-300 ml water or tea before using the product. Please prepare a towel for wiping sweat. Take a break after a certain period of using. Don't use the product consecutively over 20 minutes in one time.
-  Elderly should be accompanied by their supervisor when using the product.



2

### Product Accessories


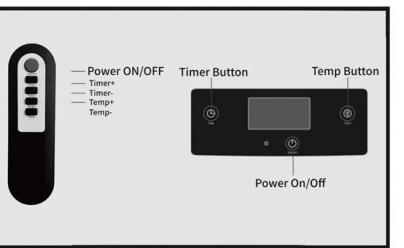
Please check the manual carefully and make sure you have received all the parts. If there is any missing, please let us know the letter of the parts you need.

#### Sauna Pod Accessories

- (F) Tee connector\*8
- (G) Pass-through connector\*4
- (I) Support rod\*8
- (J) Support rod\*8
- (A) Sauna Pod

① Anti-clockwise direction open the lid.

② Add proper amount of water to the steamer.

③ Tighten the lid clockwise to prevent steam leakage.

④ Adjust time & temperature using remote control or buttons.

#### Steam Box Cover Accessories

- (O) Tee connector\*8
- (P) Support rod\*8
- (Q) Support rod\*4
- (R) Insulated Mesh Cover

#### Steam box Accessories

- (C) Steam Box
- (K) Connecting Hose
- (H) Connecting Nut
- (S) Hose connector
- (T) short hose

#### Other Accessories

- (B) Steam Pot
- (D) Folding Chair
- (E) Remote Control

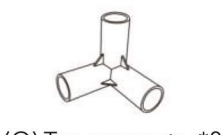
1.\*Power\*Button control machine ON/OFF.  
2.\*Timer Button can adjust using time from 1-120mins  
3.\*Temp Button this machine power gears from P1-P9 (9 Gears) When working, the display screen will continuously switch the setting temperature gear and remaining time.

1. Zip up the cover and add water to the steamer until the water reaches to the 1.5L water line. This amount of water could last about 40 Minutes.
2. Make sure the lid is locked on the steamer and connect to the power.
3. Press the buttons on the steamer or use the remote to turn it on and adjust the time to 60 minutes and temperature to P9. Let it preheat for about 7-10 minutes first.
4. Before you get into the cover, adjust the temperature back to P5 first since P5 is suitable for most people. You can turn it up if you think it is not hot enough.
5. After use, remember to disconnect the power and let the product thoroughly cool down first before you disassemble it.


8

### Installation Instructions

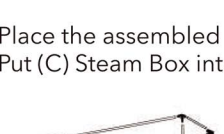
1. As shown in the figure, use (O) Tee connector to connect (P) Support rod and (Q) Support rod. Build a framework.



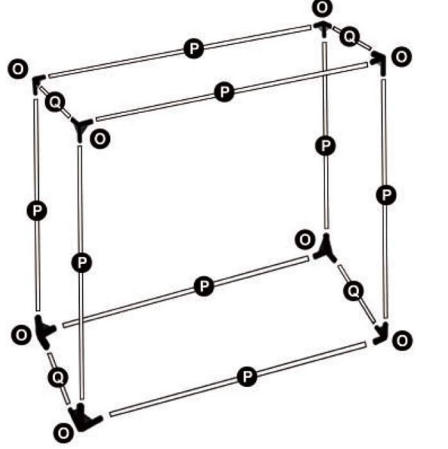
(O) Tee connector\*8




(P) Support rod\*8



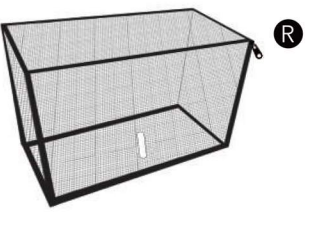
(Q) Support rod\*4



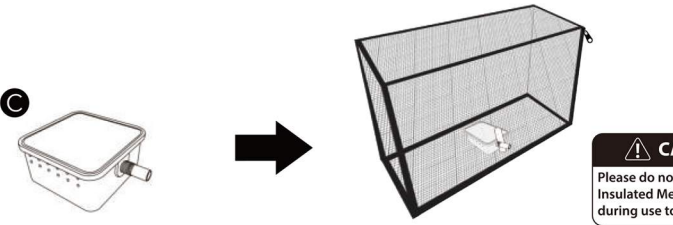
2. Place the assembled framework into the (R) Insulated Mesh Cover. Put (C) Steam Box into (R) Insulated Mesh Cover.



(C)



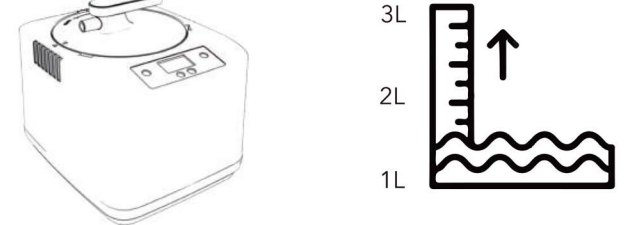
(R)



**CAUTION**  
Please do not touch the Insulated Mesh Cover during use to avoid scalding

4

### Steam Pots Use Instructions

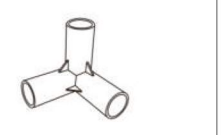


3L  
2L  
1L


Please ensure that the water volume is between 1L and 3L when injecting water. Exceeding the 3L line may cause boiling and splashing. Below the 1L line, it is easy to trigger dry burn protection. The scale is printed with durability, and hard objects should be avoided from scratching during cleaning.

7

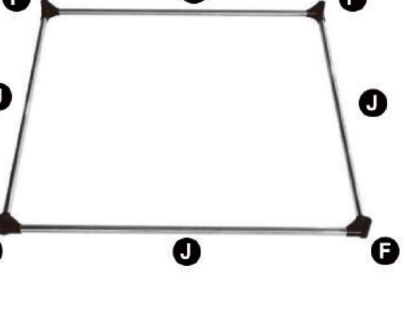
3. Connect (F) Tee connector and (J) Support rod as shown in the figure.




(F) Tee connector\*8



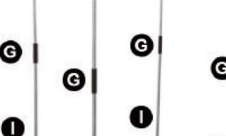
(J) Support rod\*8



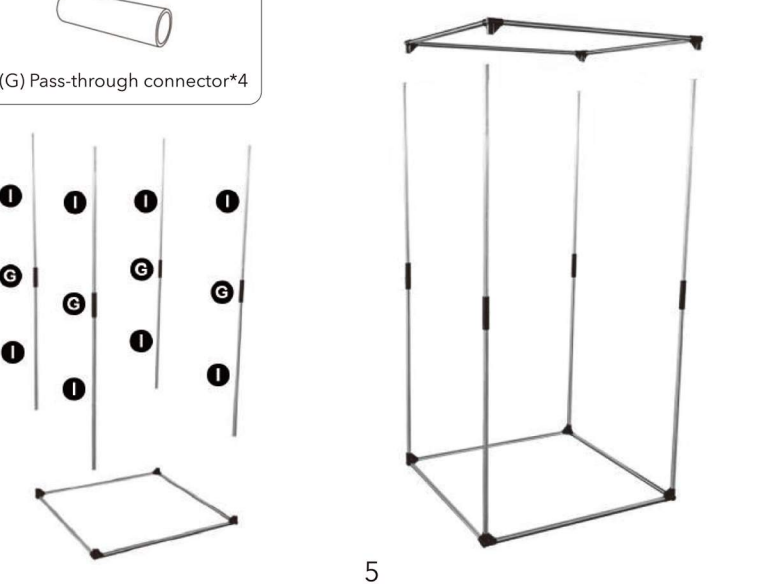
4. Connect the (I) support rod with the (G) straight connector, and then install it. Combination pole with bottom frame. Repeat step 3 to assemble the top combination rod.



(G) Pass-through connector\*4

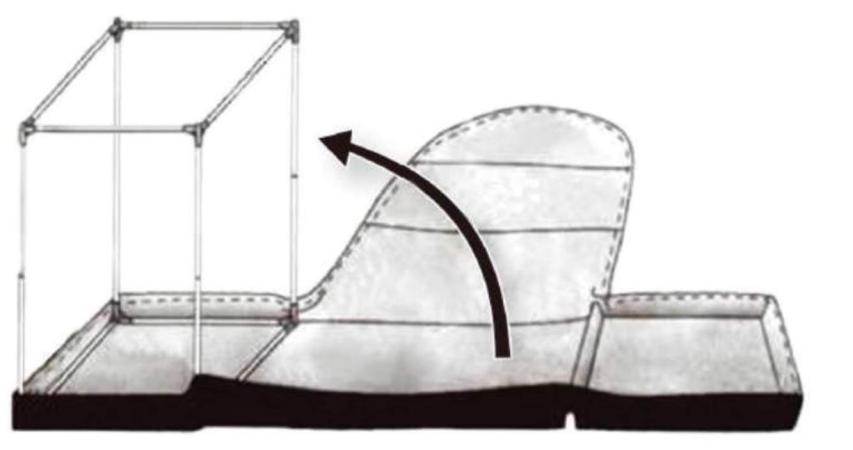


(I)

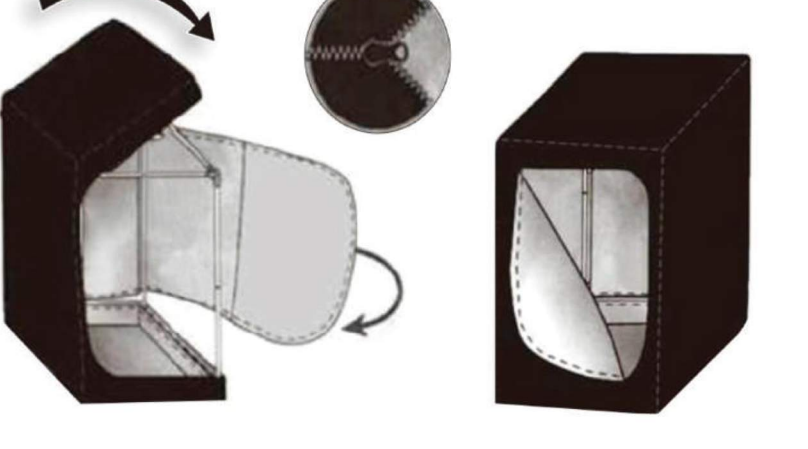


5

5. Unfold the (A) Sauna Pod and place it on the floor. Place the frame in the (A) Sauna Pod.



6. Pull the (A) Sauna Pod up and cover the frame as shown. Zip the zipper from the back to the side.



6