

# 2-In-1 Stand Up Stool

## Instruction Manual



Drawings in the manual are for visual purposes only. Actual product may vary slightly. The manufacturer reserves the right to change any specification or feature without prior notice.

**IMPORTANT! PLEASE READ CAREFULLY BEFORE USE  
AND KEEP FOR FUTURE REFERENCE.**

Read all instructions before assembly and use of the 2-in-1 Stand Up Stool.  
Keep instructions for future use.

**⚠ WARNING ⚠**

- BEFORE USE OF THE PRODUCT, READ AND UNDERSTAND THE INSTRUCTIONS.
- NEVER LEAVE THE CHILD UNATTENDED.
- CHILD MUST ALWAYS BE SUPERVISED WHEN USING THIS PRODUCT.
- ALWAYS USE THIS PRODUCT ON A FLAT AND LEVEL FLOOR.
- DO NOT PLACE THIS PRODUCT NEAR A WINDOW AS IT CAN BE USED AS A STEP BY A CHILD AND CAUSE THE CHILD TO FALL OUT OF THE WINDOW, OR CURTAINS COULD STRANGLE A CHILD.
- BE AWARE OF THE RISK OF OPEN FIRES AND OTHER SOURCES OF STRONG HEAT IN THE VICINITY OF THE PRODUCT.
- ALL ASSEMBLY FITTINGS SHOULD ALWAYS BE TIGHTENED PROPERLY.
- USE ONLY SPARE PARTS APPROVED BY THE MANUFACTURER.
- KEEP INSTRUCTIONS IN A SAFE PLACE FOR FUTURE REFERENCE.
- SUITABLE FOR CHILDREN FROM 18 MONTHS OF AGE UP TO 20KGS.
- ASSEMBLY TO BE CARRIED OUT BY A COMPETENT ADULT ONLY.
- DURING ASSEMBLY, CHILDREN SHOULD BE KEPT AWAY FROM THE PRODUCT DUE TO POSSIBLE RISK OF INJURY.
- ADULT ASSEMBLY REQUIRED. THIS PACKAGE CONTAINS SMALL PARTS.
- FOR YOUR CHILD'S SAFETY, DO NOT LET YOUR CHILD PLAY WITH THE PRODUCT UNTIL IT IS FULLY ASSEMBLED.

## **Congratulations** on your purchase of the **2-in-1 Stand Up Stool**

This product has been designed and developed with safety, comfort and functionality in mind. Please take the time to read this manual carefully before using this product and keep it in a safe place for future reference.

### **Contents**

Assembly contents list

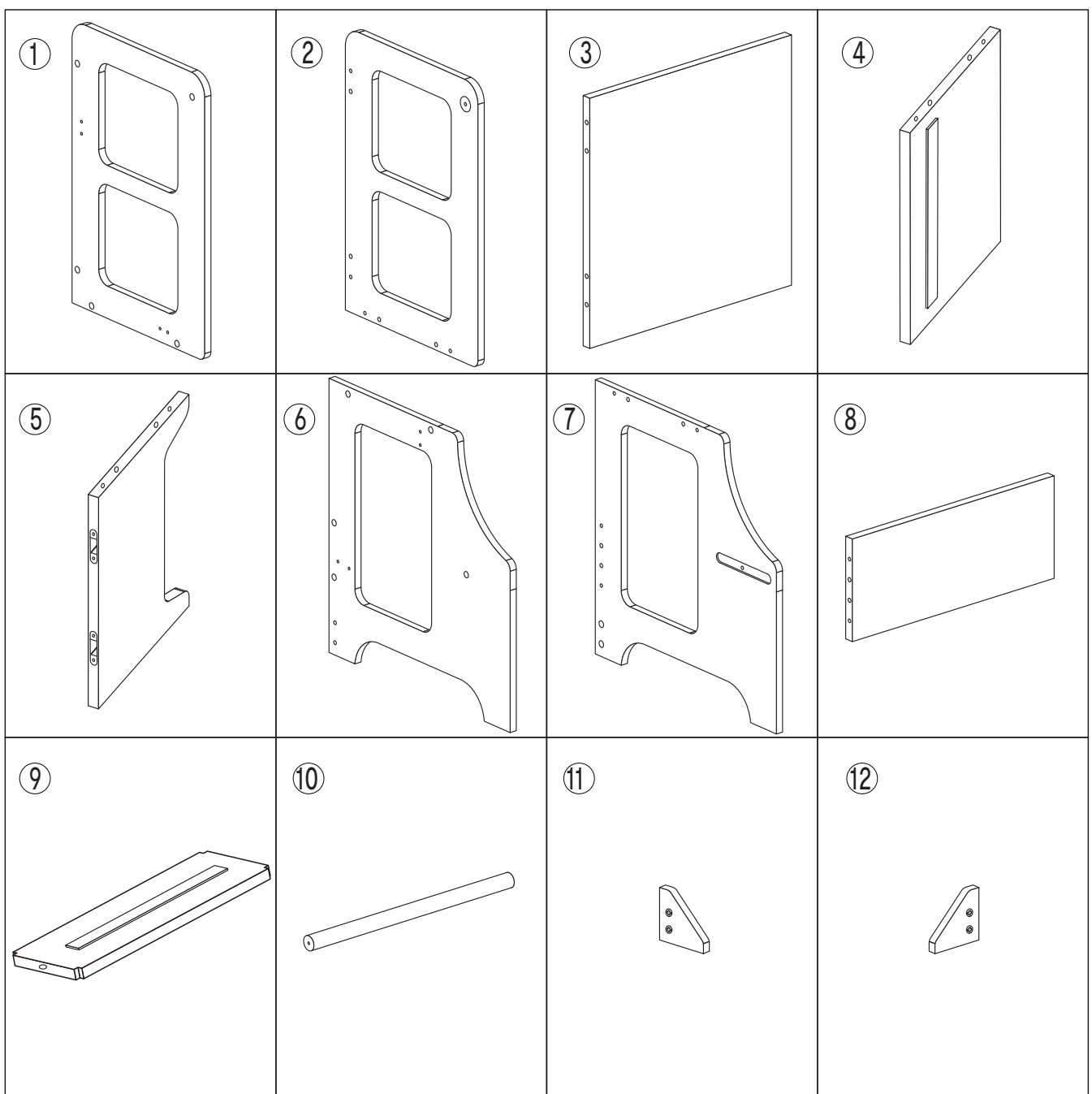
Assembly / Operating instructions

How to care for your **2-in-1 Stand Up Stool**

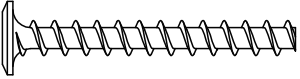
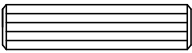
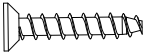
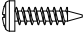


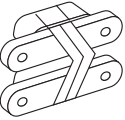
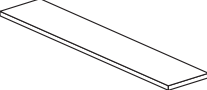
## Check what you have received...

You have received **1 box**. Please check the contents of the box against the list below. If anything is missing, please contact Customer Service.

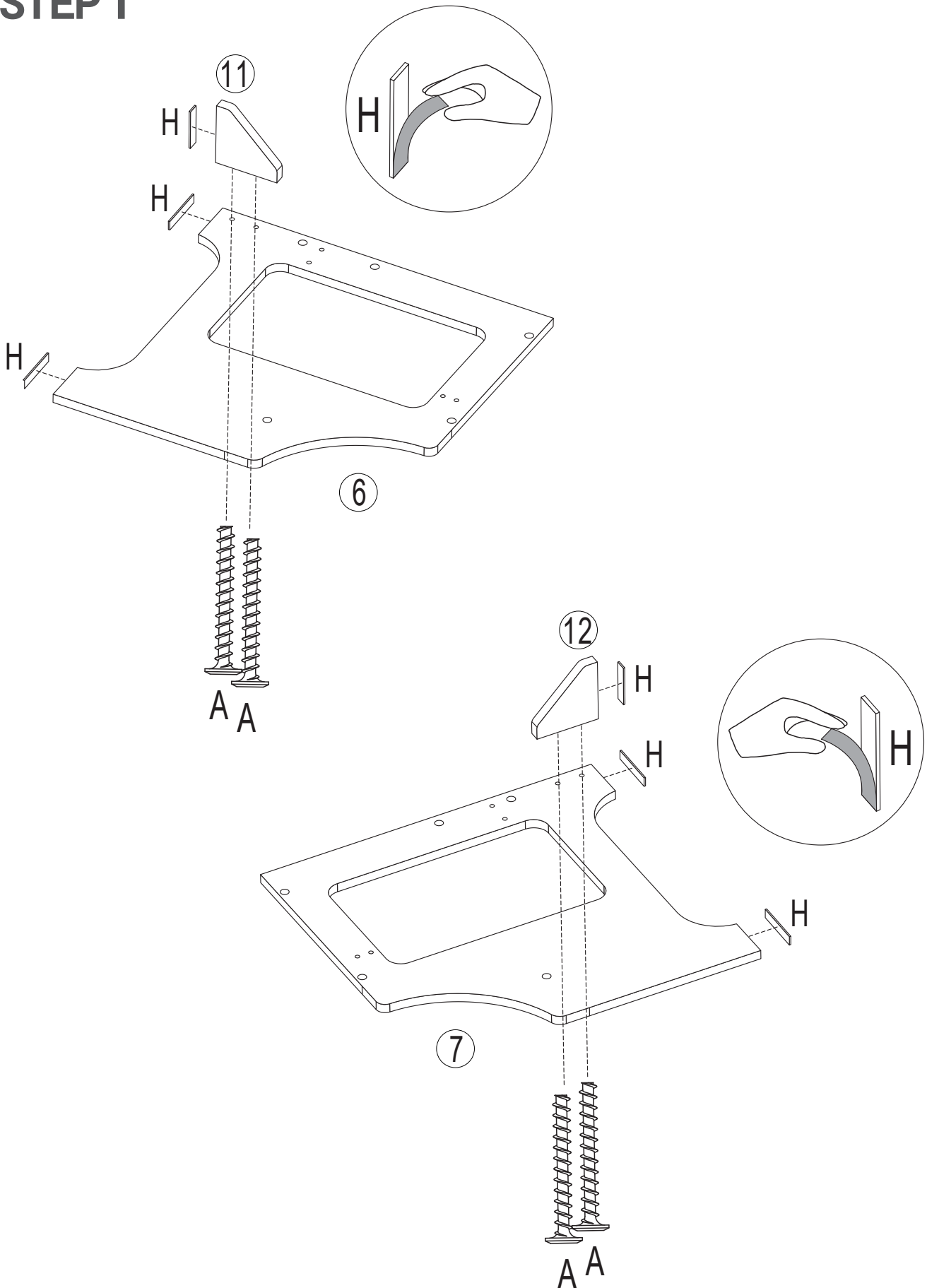
### Supplied loose in box:

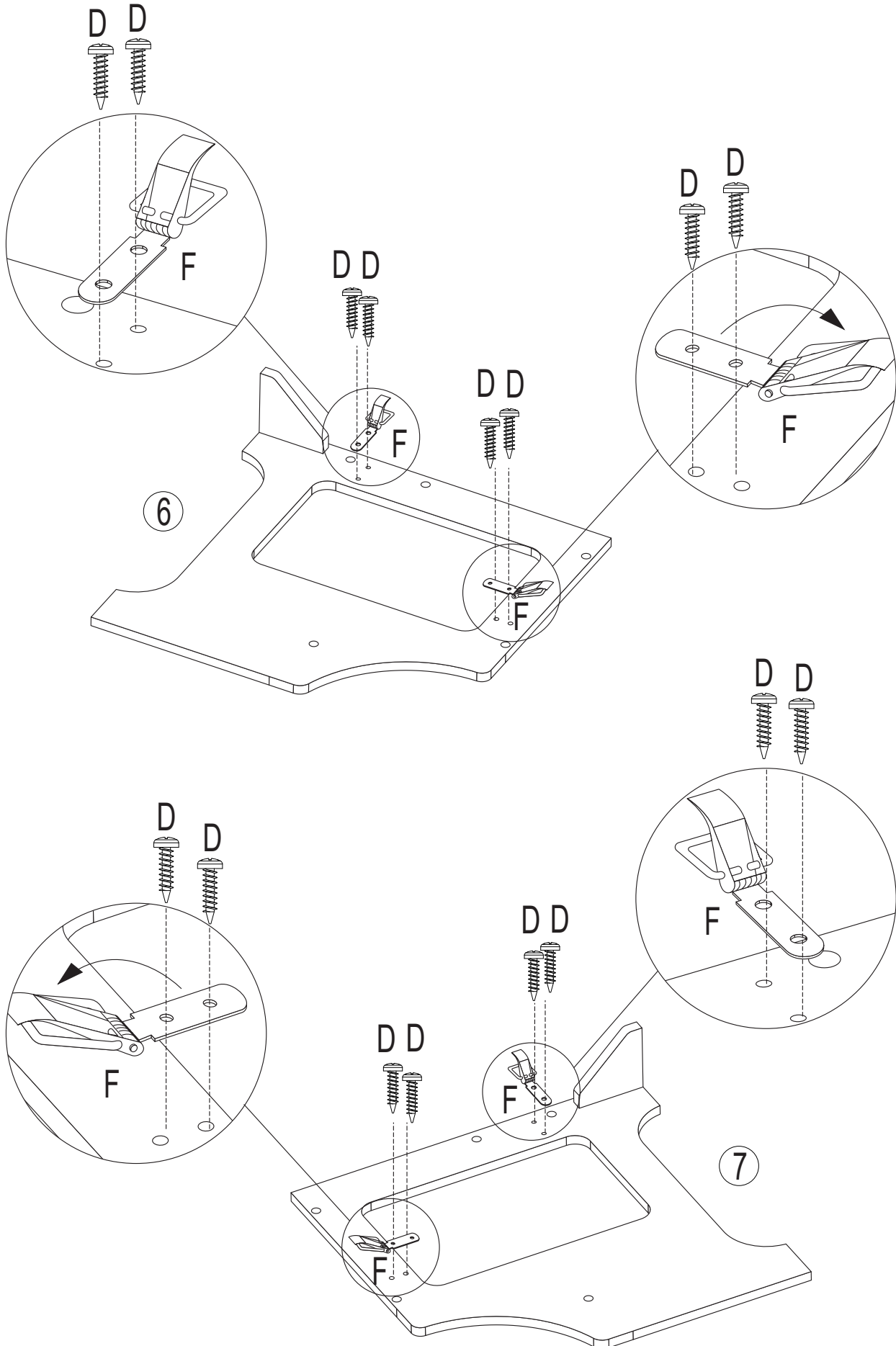


Assembly kit:

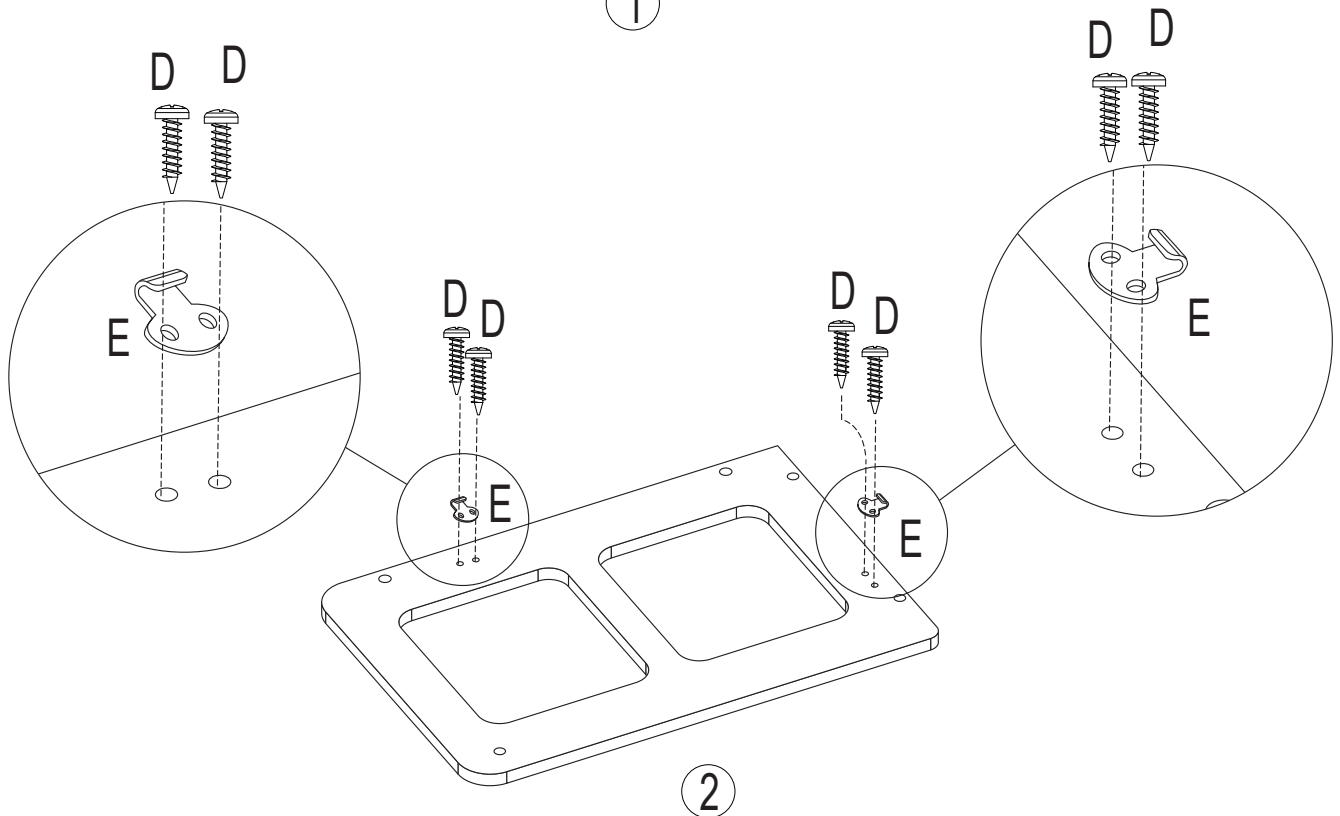
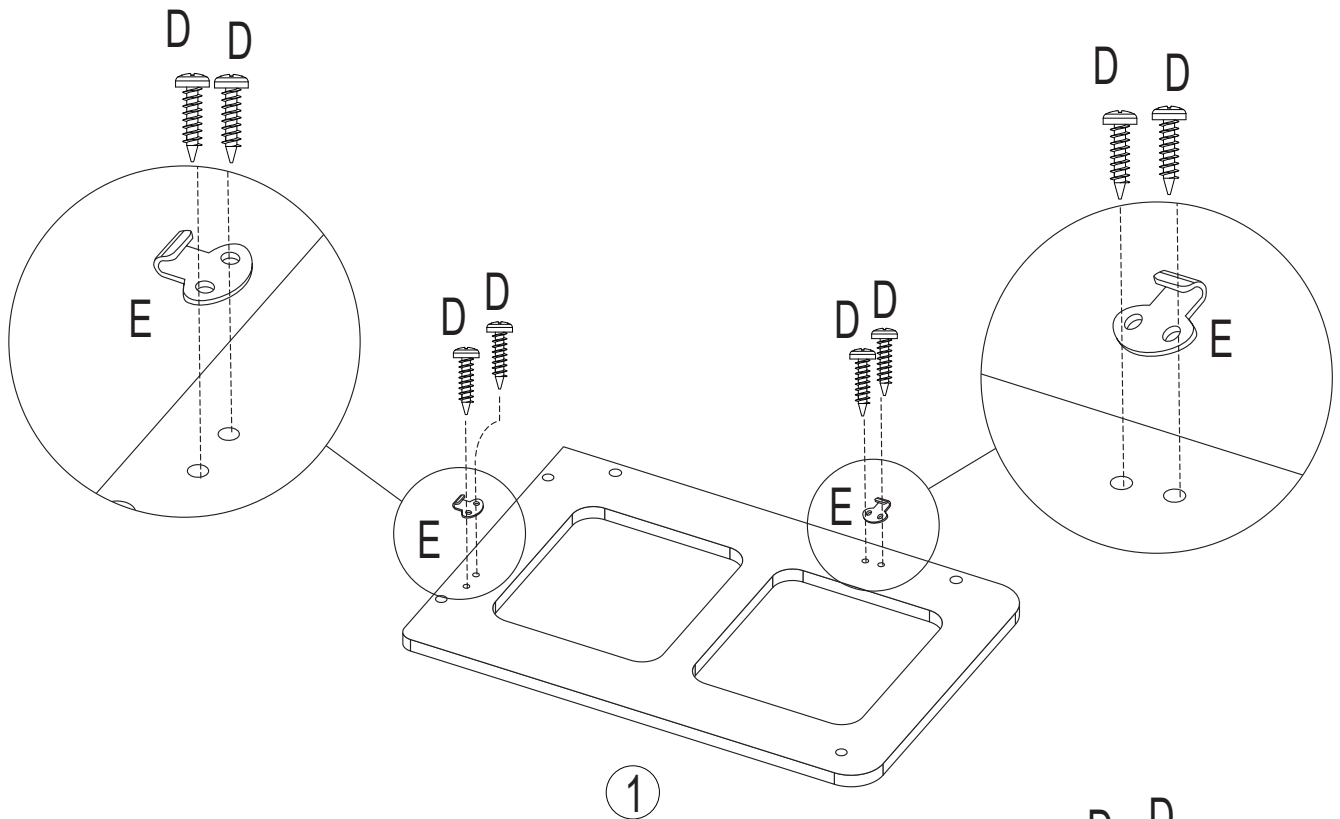
<p><b>A</b></p> 	<p><b>B</b></p> 	<p><b>C</b></p> 
<p>M5x40      24PCS</p>	<p>M6x30      16PCS</p>	<p>M3x25      8PCS</p>
<p><b>D</b></p> 	<p><b>E</b></p> 	<p><b>F</b></p> 
<p>M3x12      16PCS</p>	<p>4PCS</p>	<p>4PCS</p>
<p><b>G</b></p> 	<p><b>H</b></p> 	
<p>2PCS</p>	<p>6PCS</p>	

# STEP 1

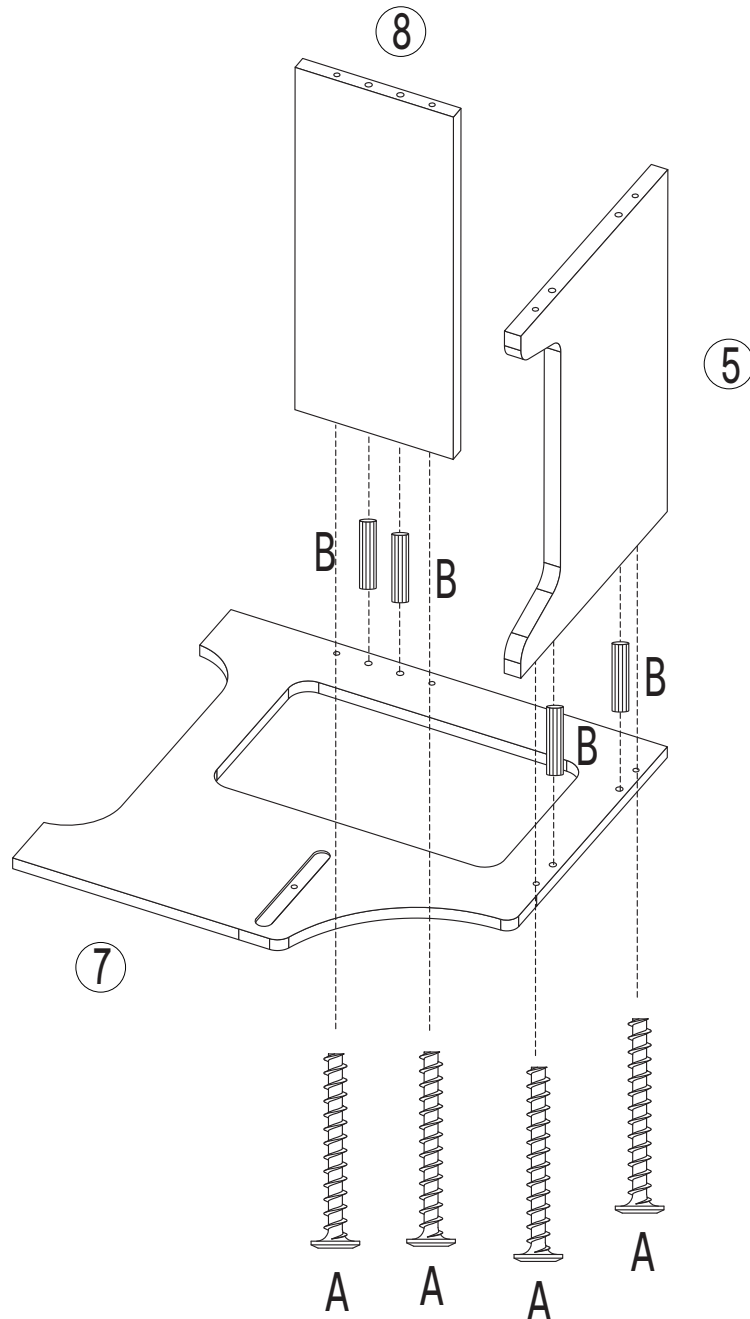




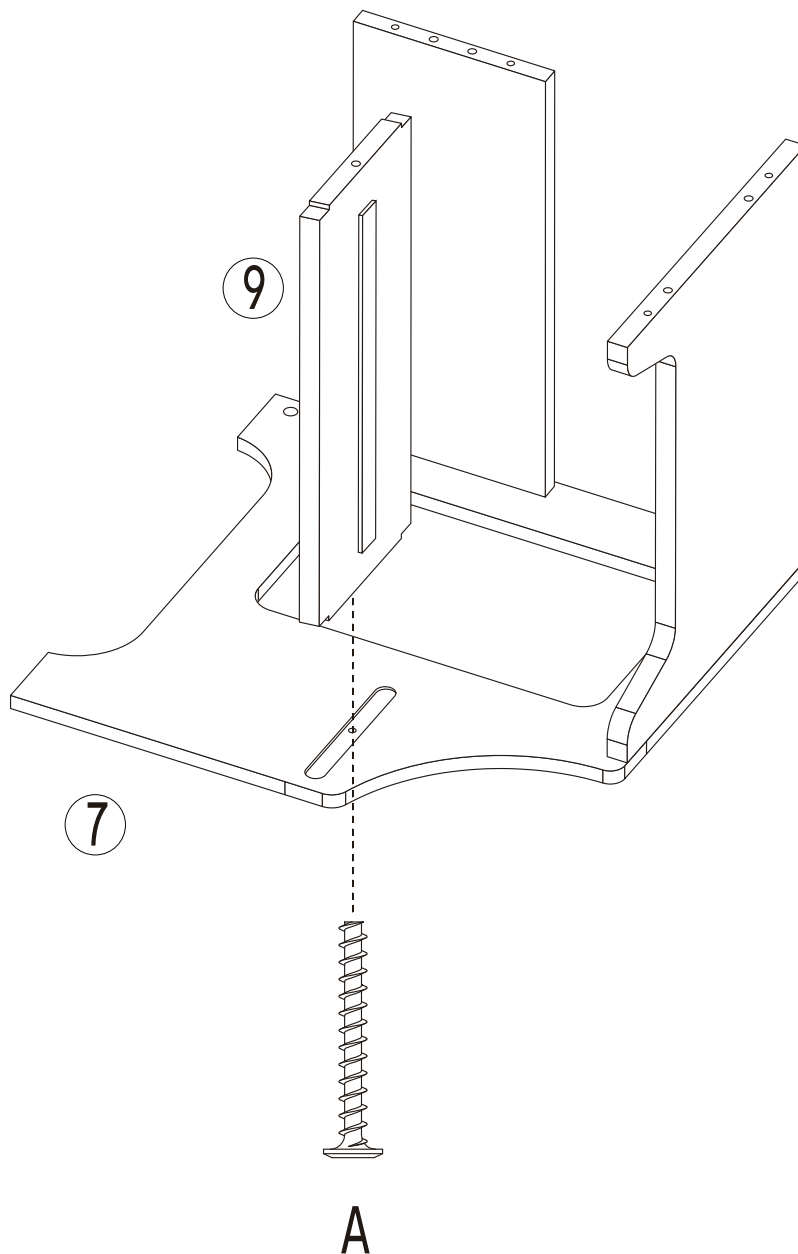
# STEP 2



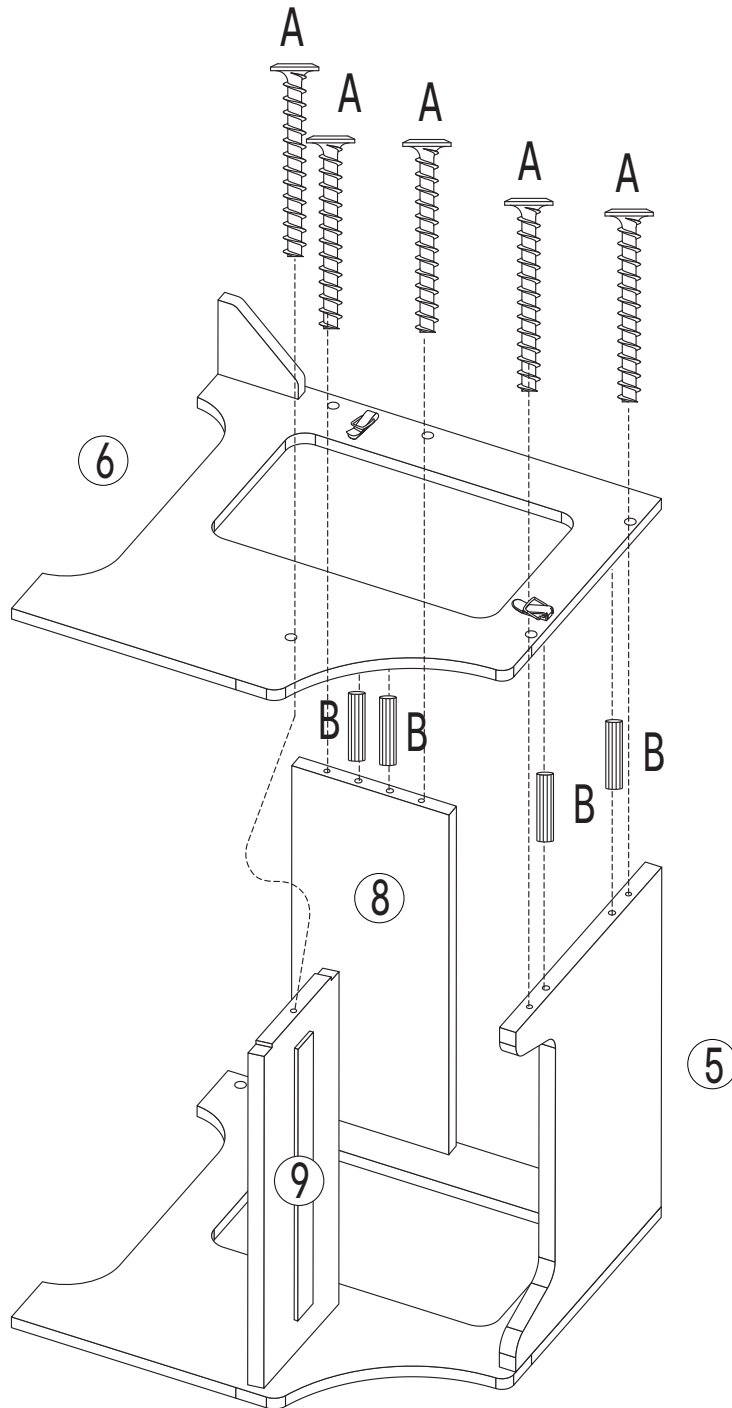
# STEP 3



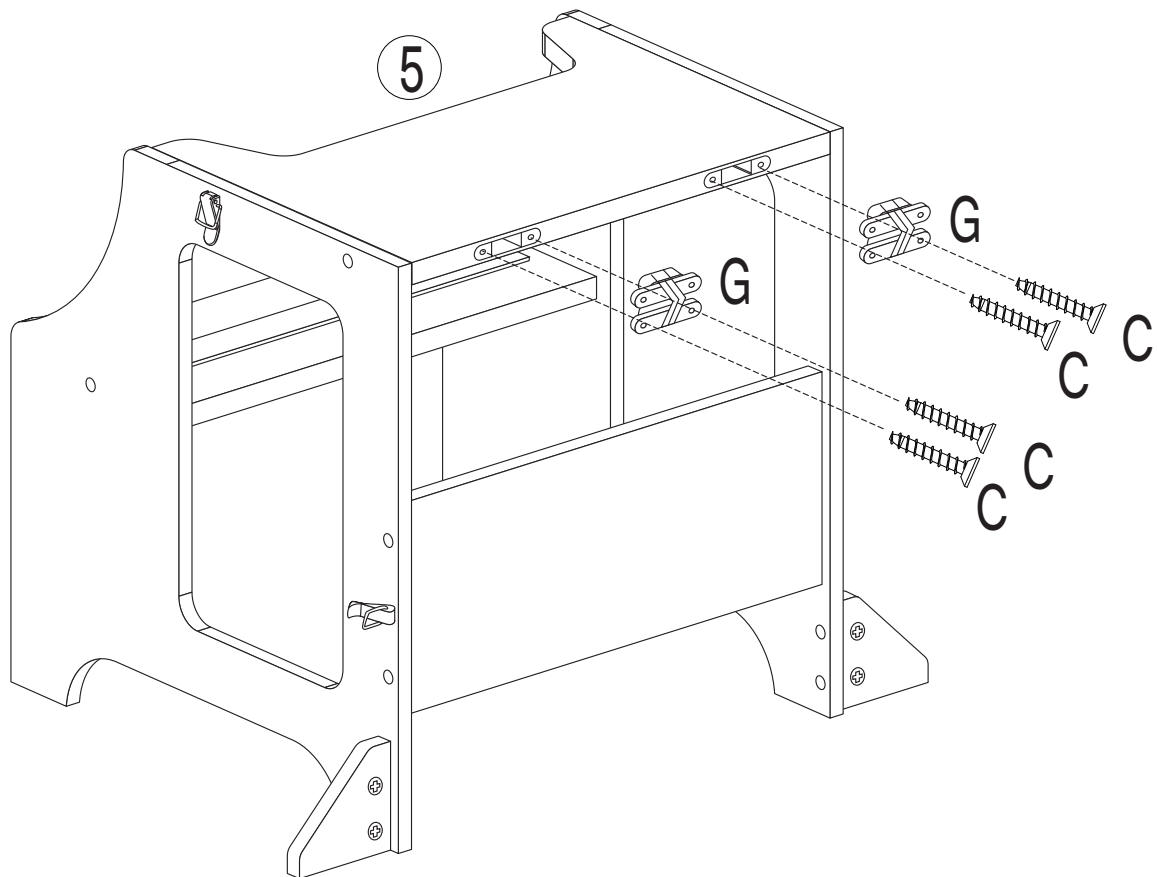
# STEP 4



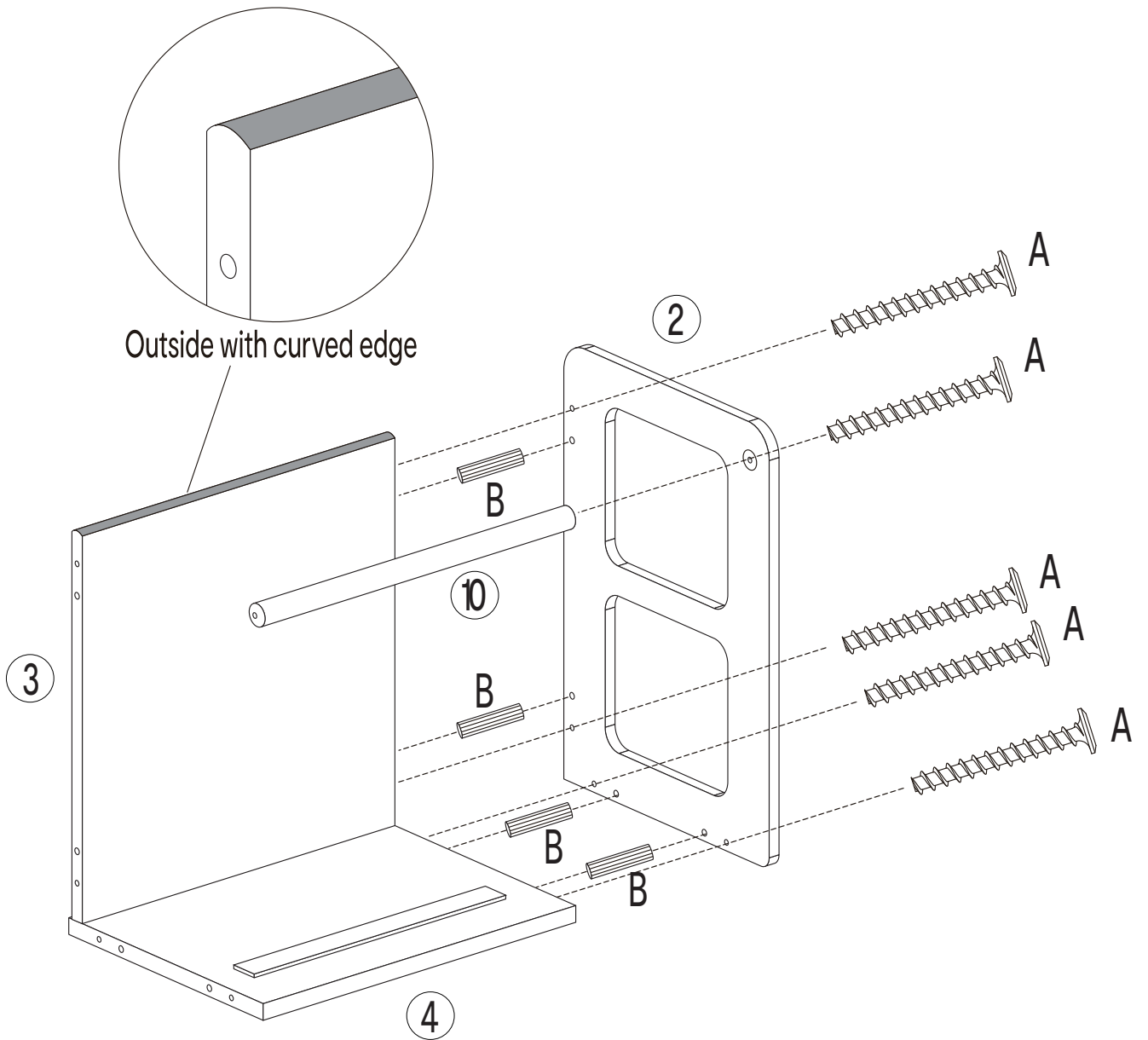
# STEP 5



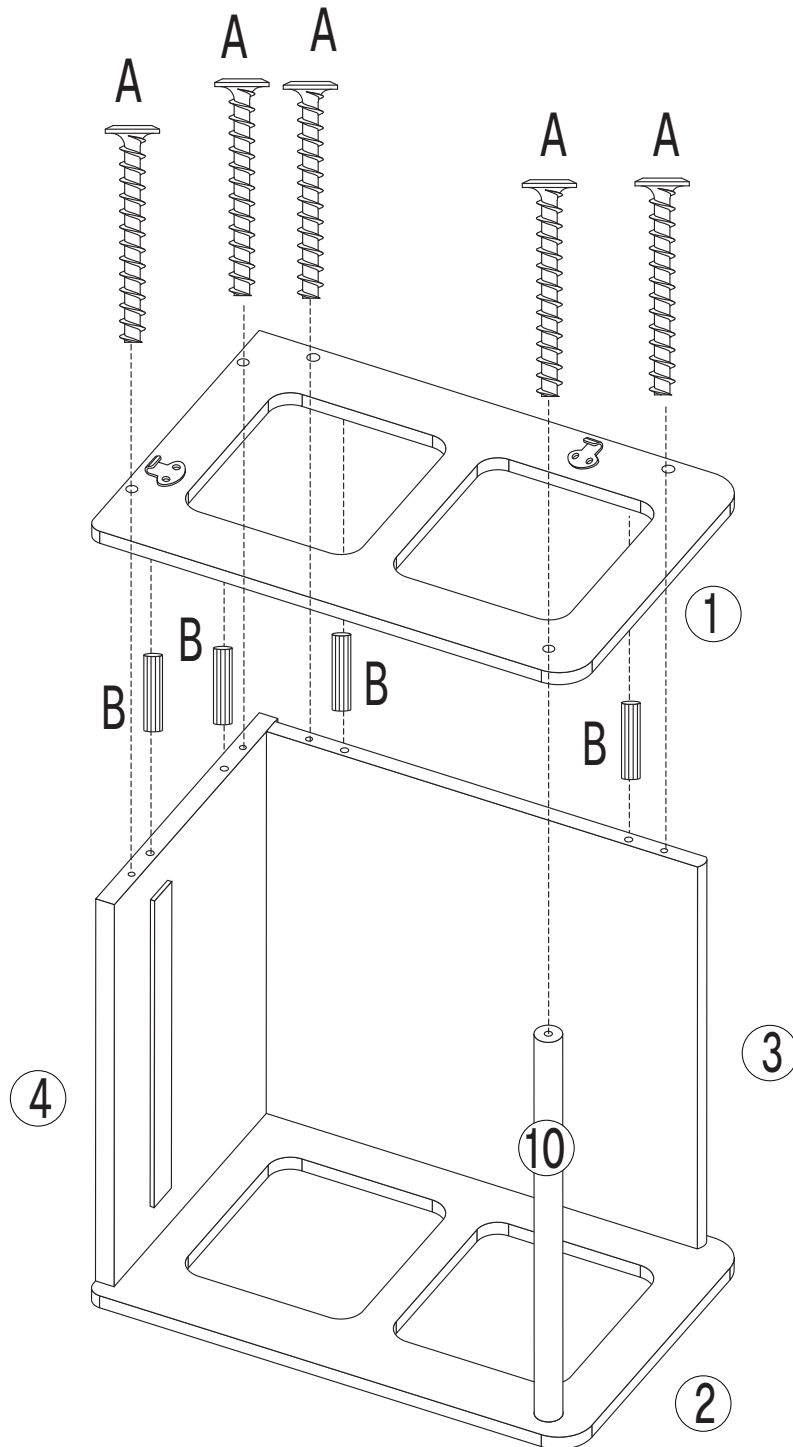
# STEP 6



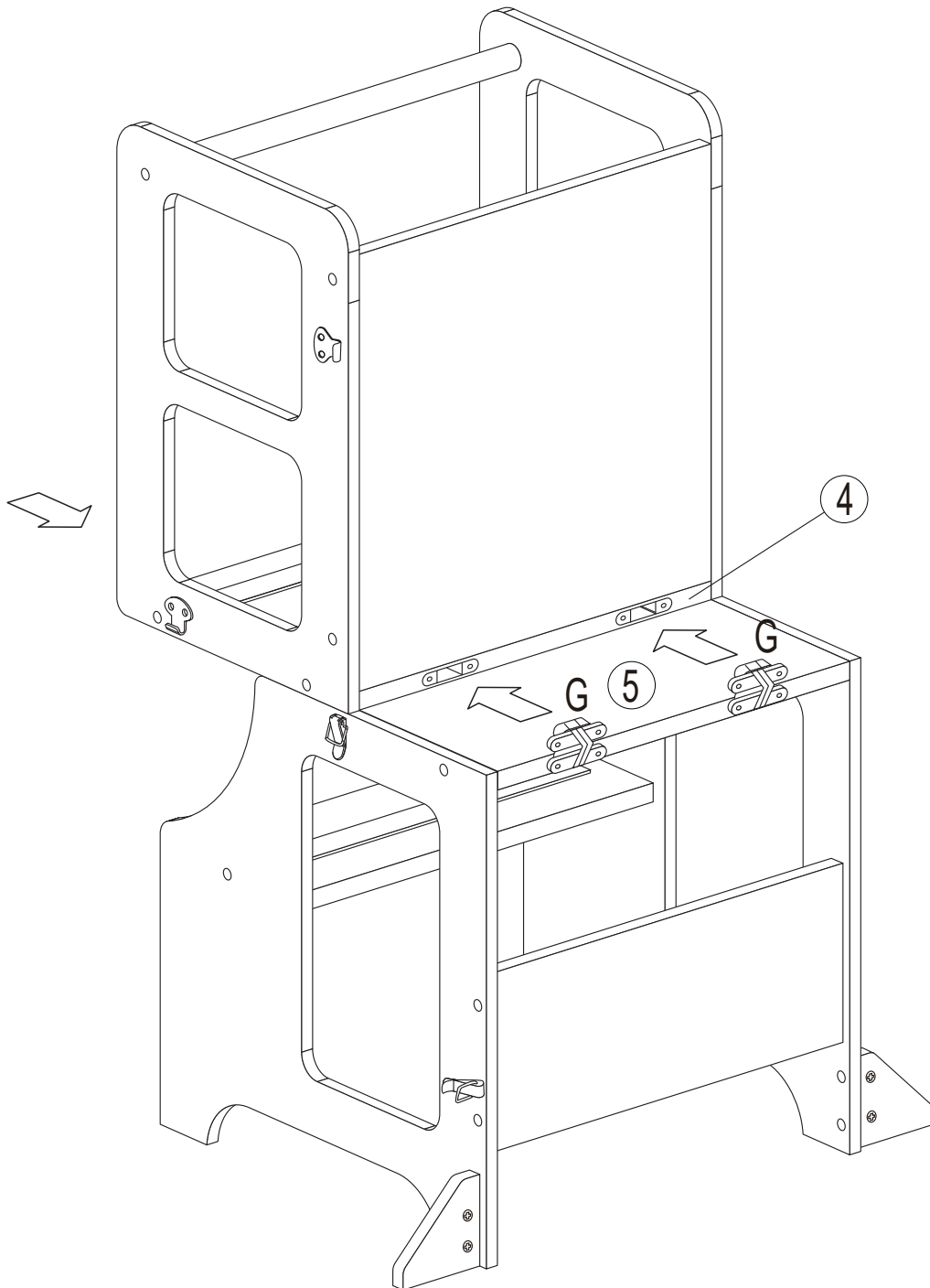
# STEP 7



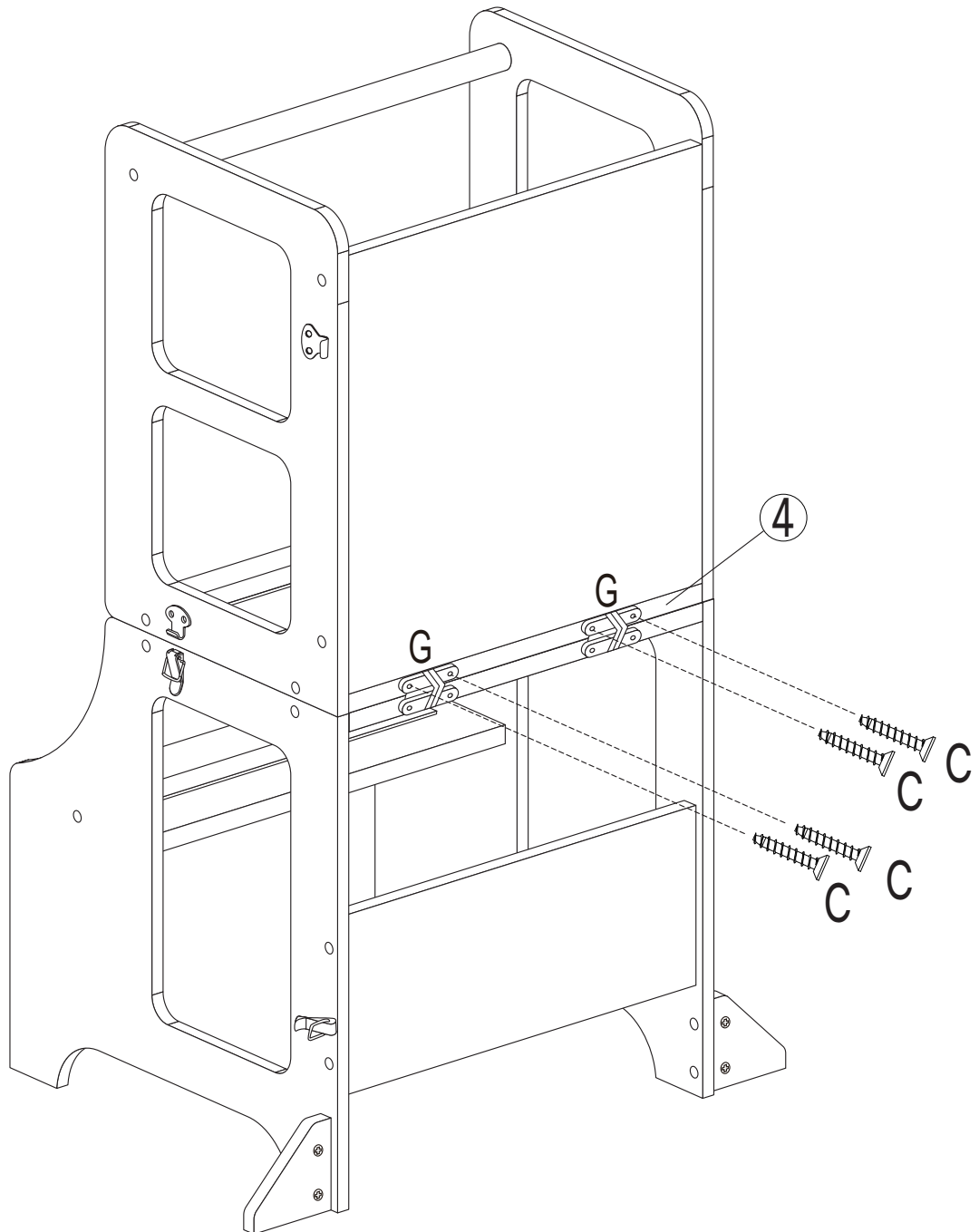
# STEP 8



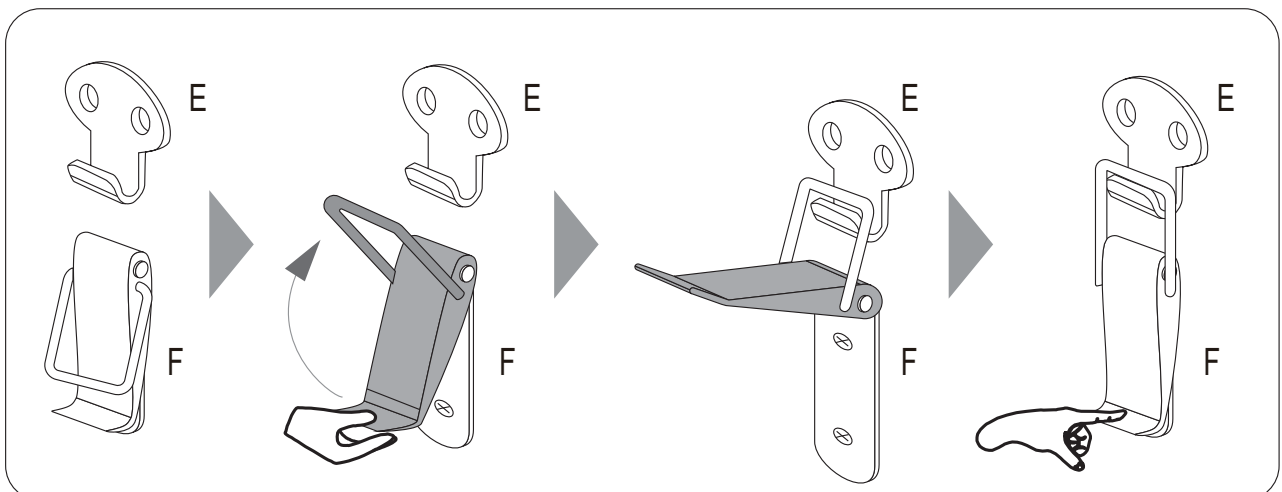
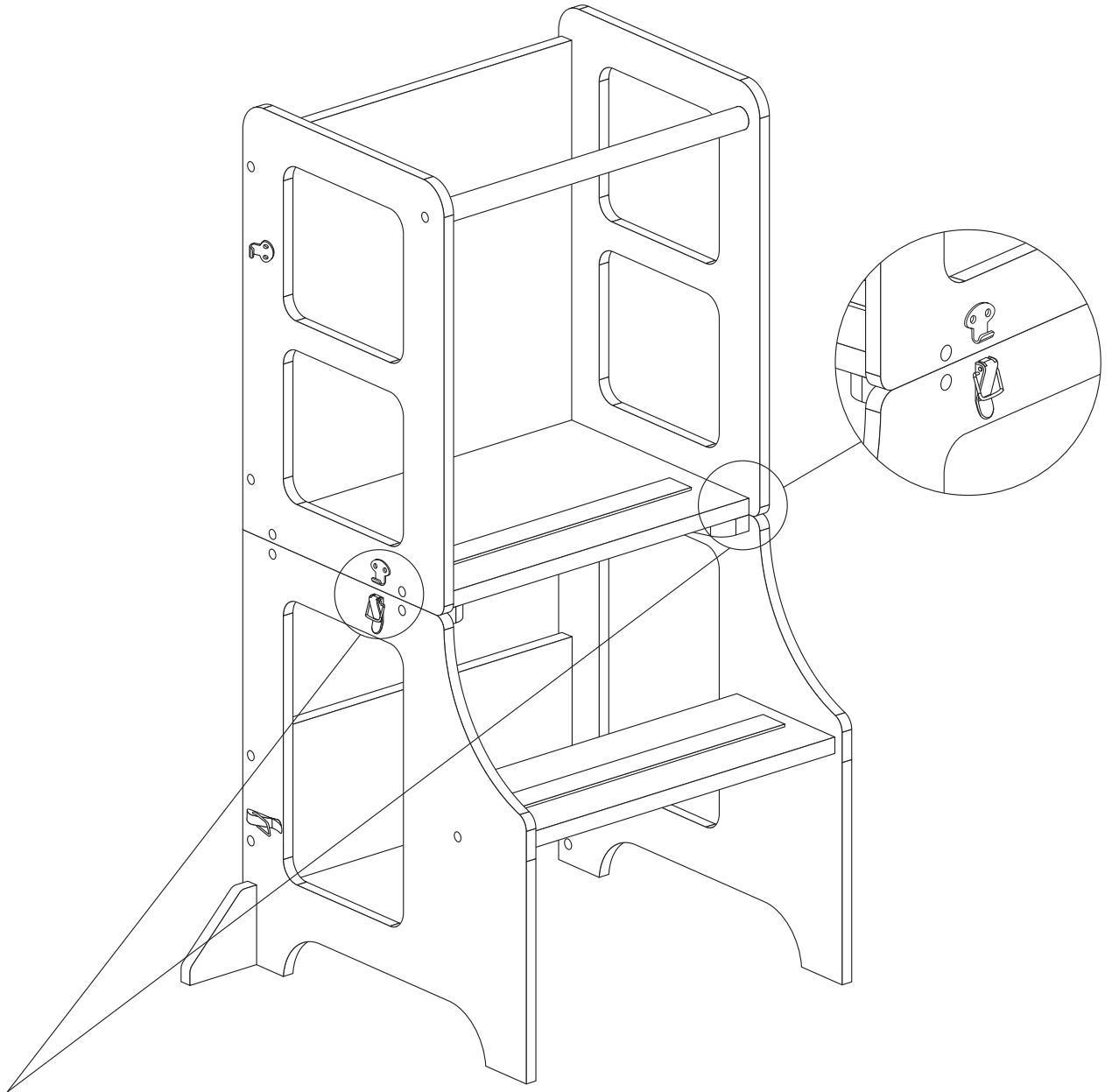
# STEP 9



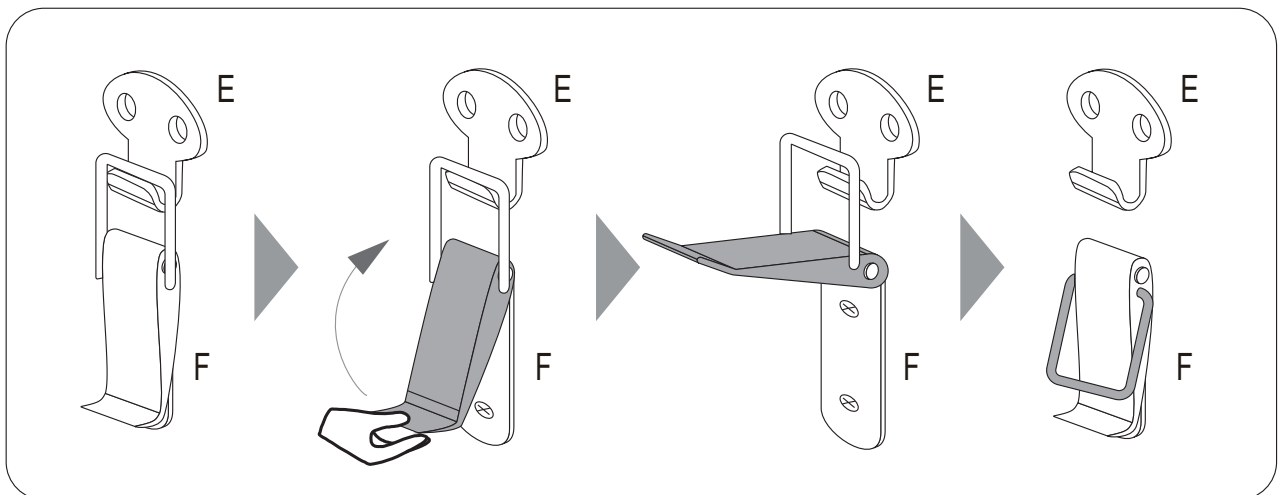
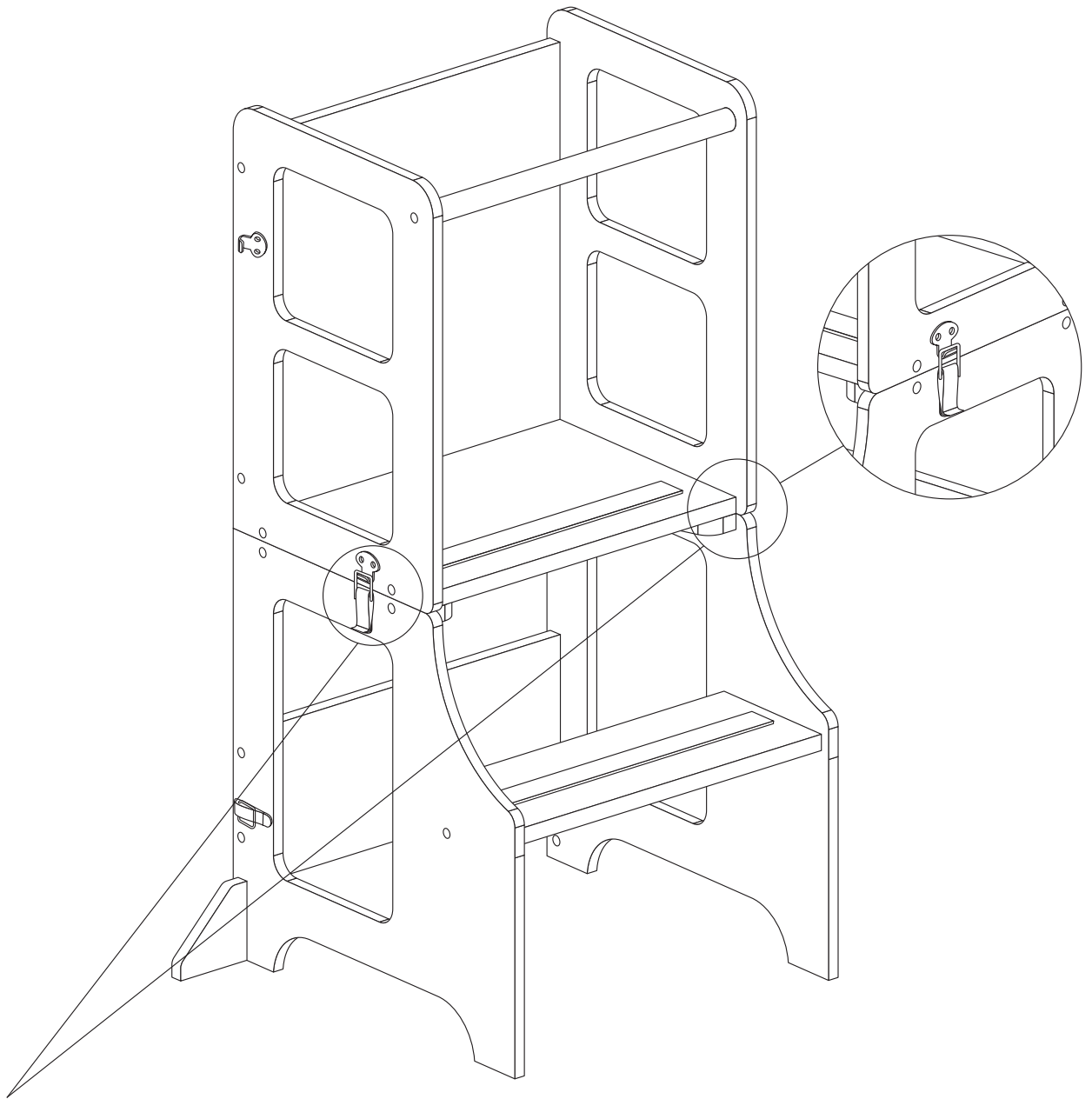
# STEP 10



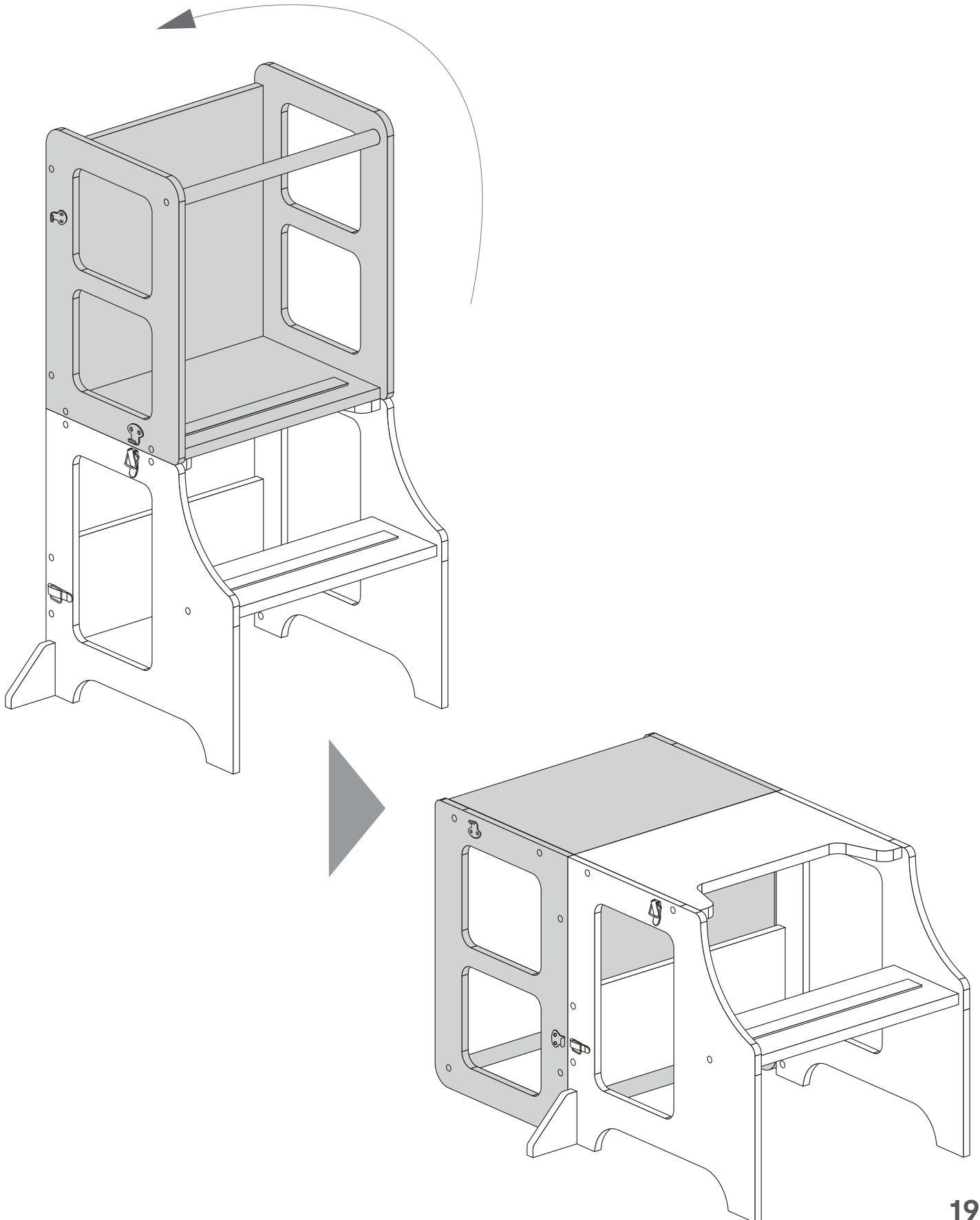
# STEP 11



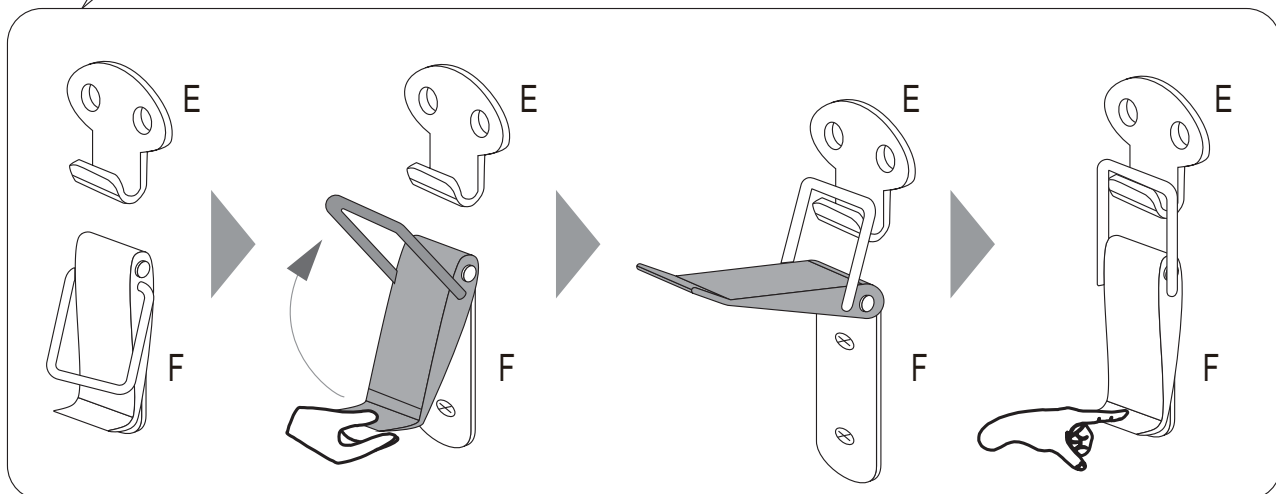
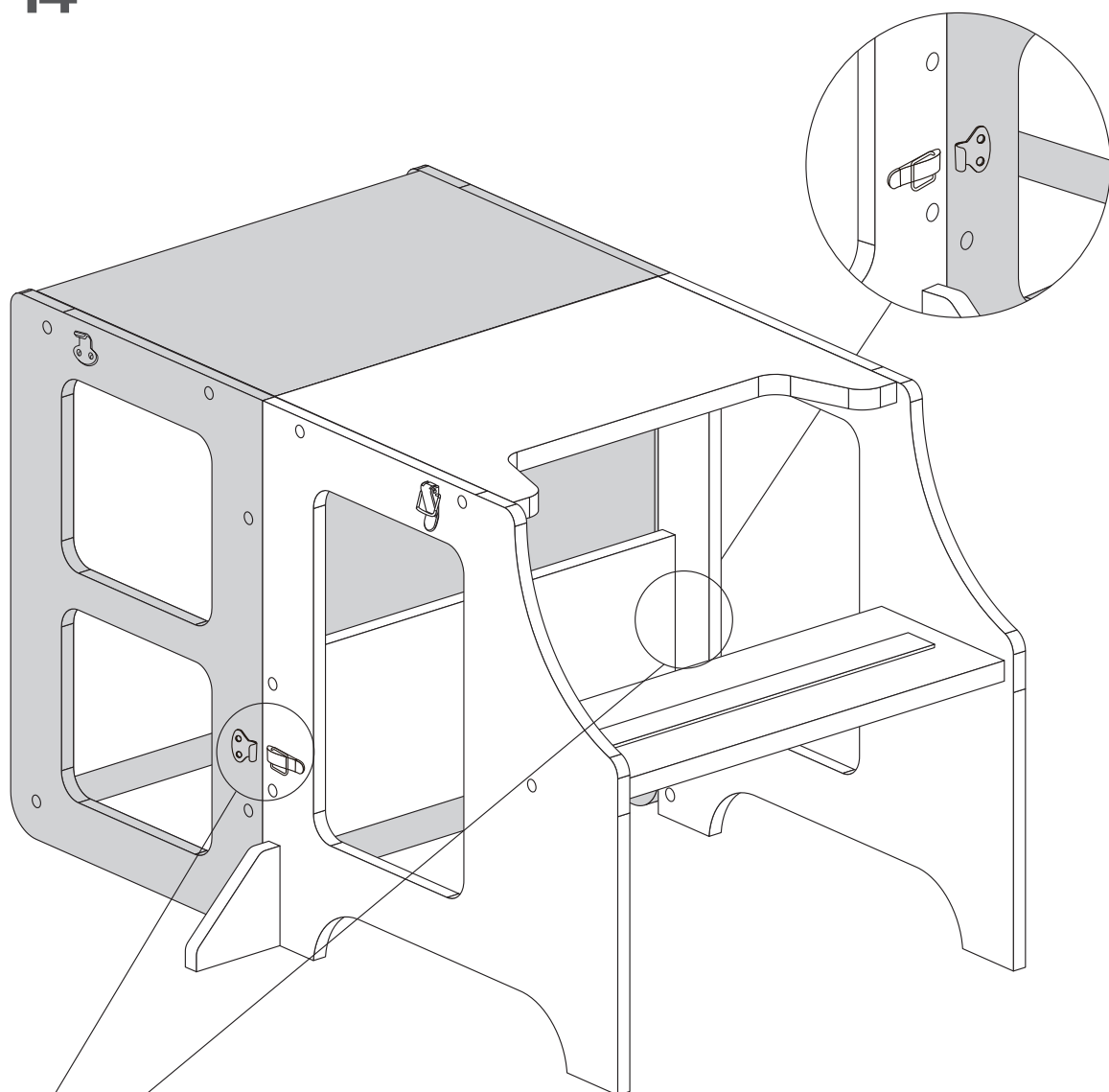
# STEP 12 - TO CONVERT TO TABLE AND CHAIR MODE



# STEP 13



# STEP 14



# HOW TO CARE FOR YOUR PRODUCT

## Cleaning

To ensure the long use of your product, wipe down with a slightly damp cloth, and immediately dry using a soft absorbent cloth. Do not use abrasive cleaners.

## Maintenance

Always check parts regularly for tightness of screws, nuts and other fasteners – tighten or replace if required. To maintain the safety of your product, seek prompt repairs for bent, torn, worn or broken parts.

If you have any difficulties in assembling this product, please contact our Customer Service Department.

## Warranty

For all warranty terms and conditions, please visit [kmart.com.au](http://kmart.com.au)

KEYCODE: K: 43-689-132

MADE IN CHINA

CUSTOMER SERVICE:

KMART AU: 1800 124 125

KMART NZ: 0800 945 995