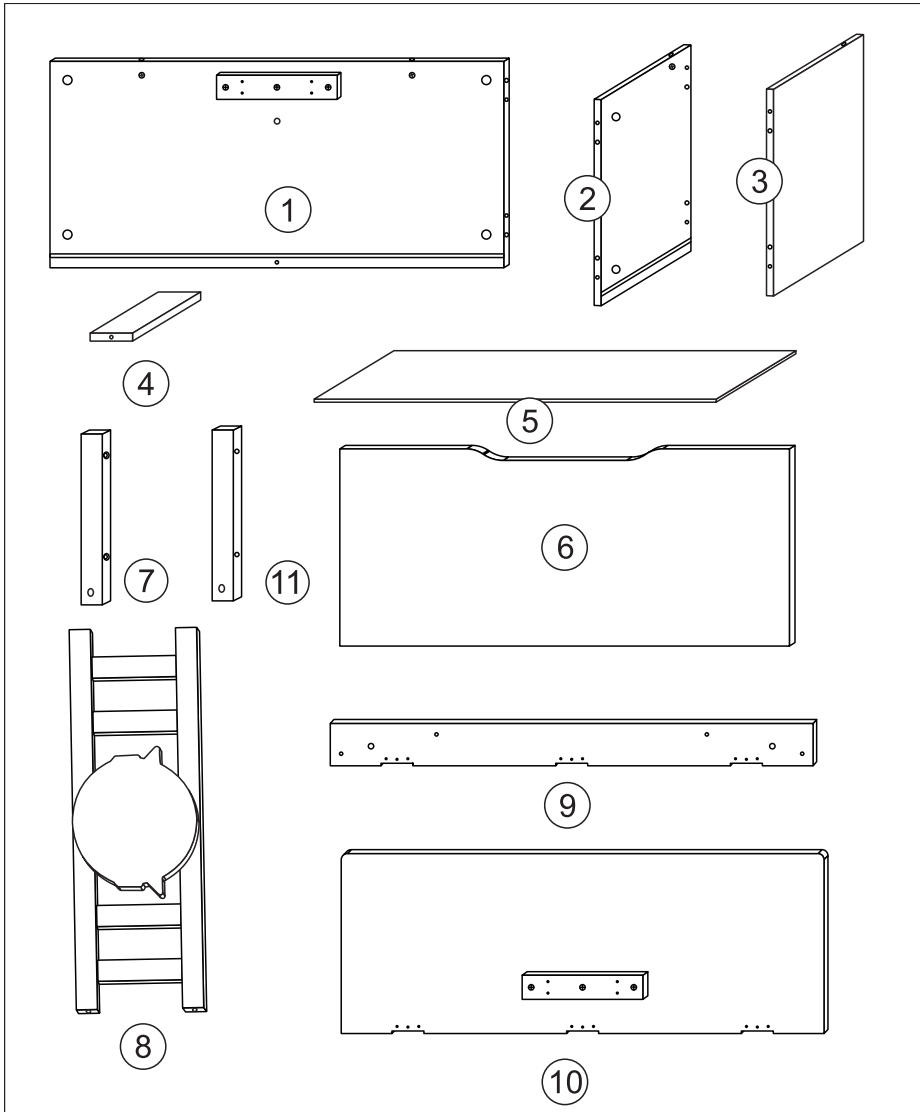


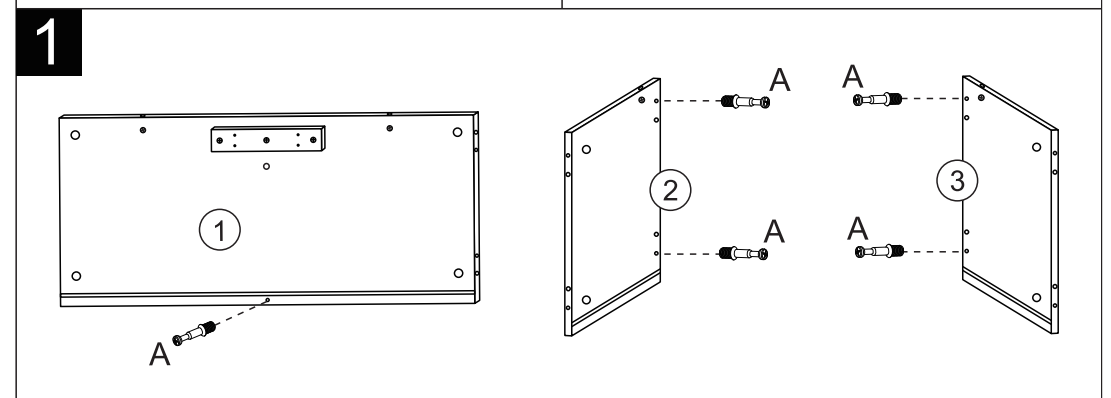
# Assembly Instructions for Star Wars Storage Bench

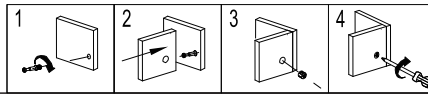
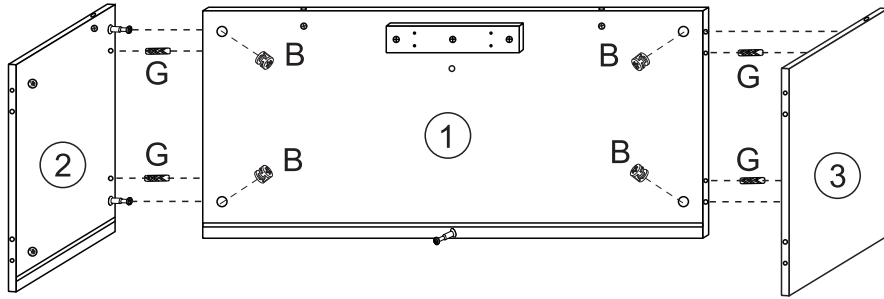
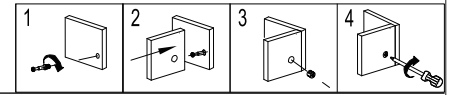
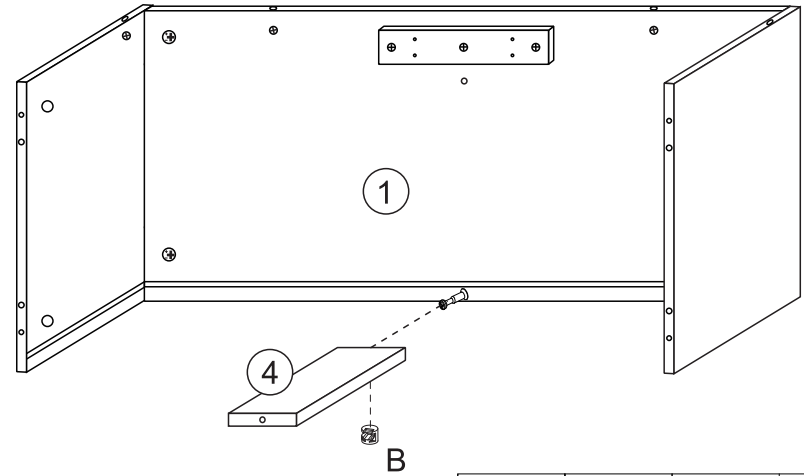
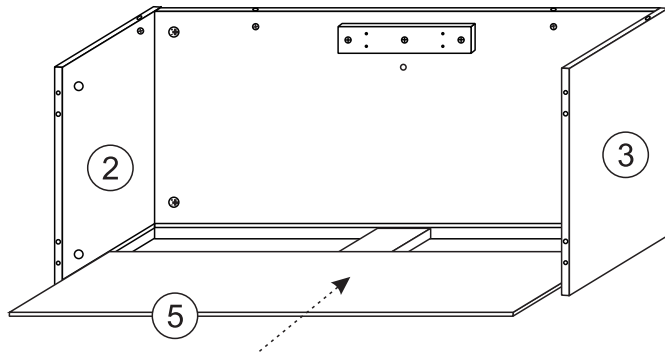
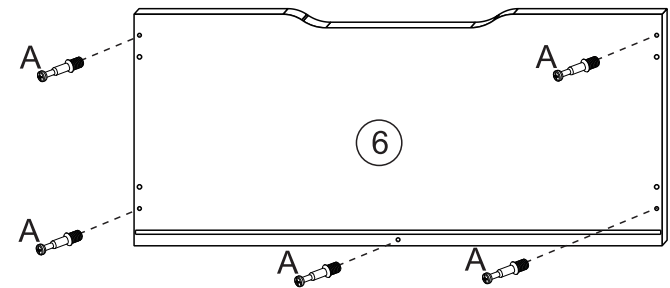
IMPORTANT! READ CAREFULLY AND KEEP FOR FUTURE REFERENCE.

K: 43688586 | T: 72438343

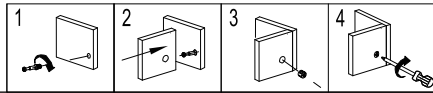
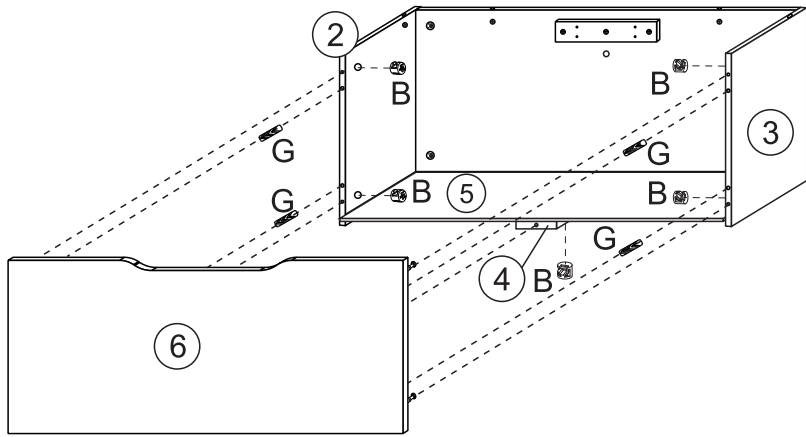


A x10		I x2	
B x10		J x2	
C x2		K x4	
D x3		L x4	
E x18		M x1	
F x8		N x1	
G x8		O x1	
H x4		P x2	

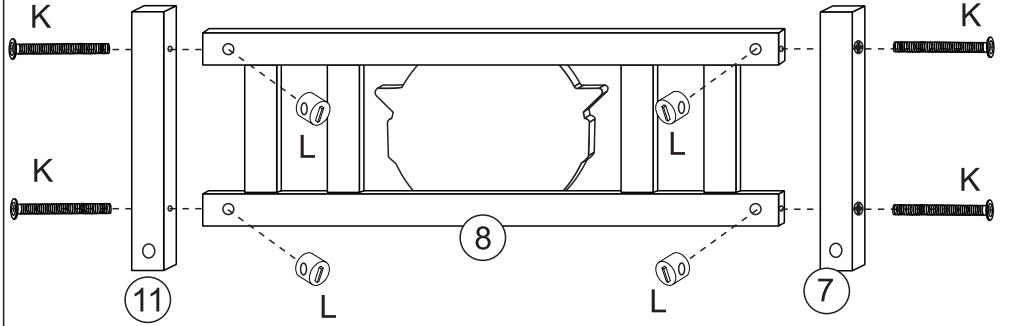


**2****3****4****5**

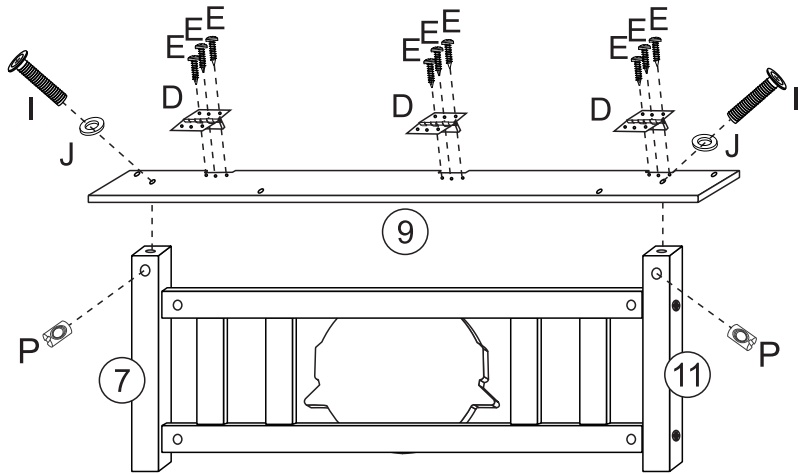
6



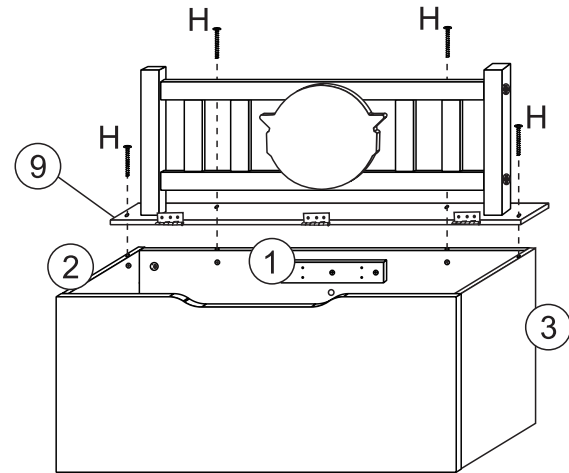
7



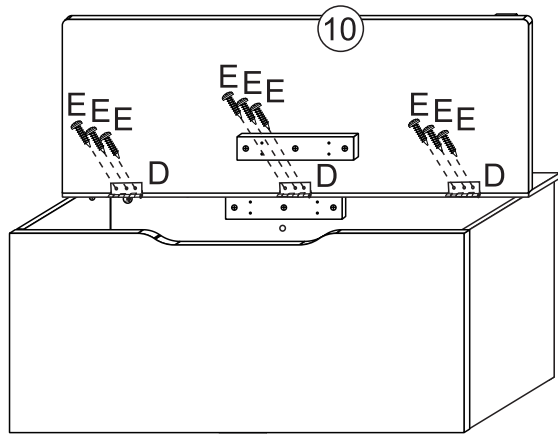
8



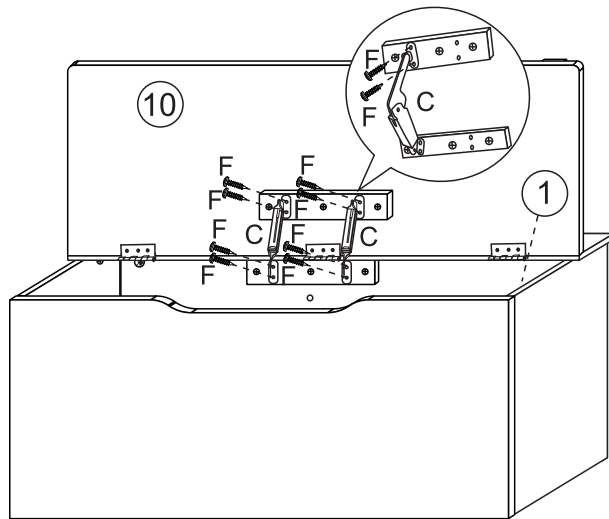
9



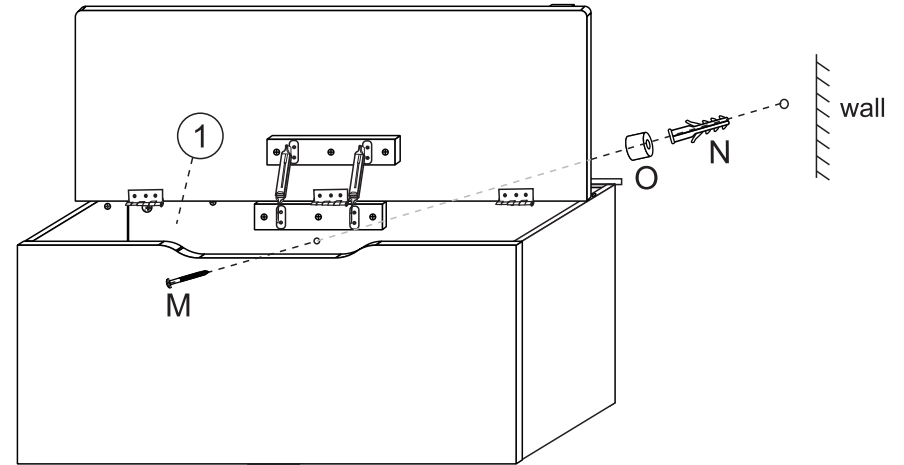
10



11



12

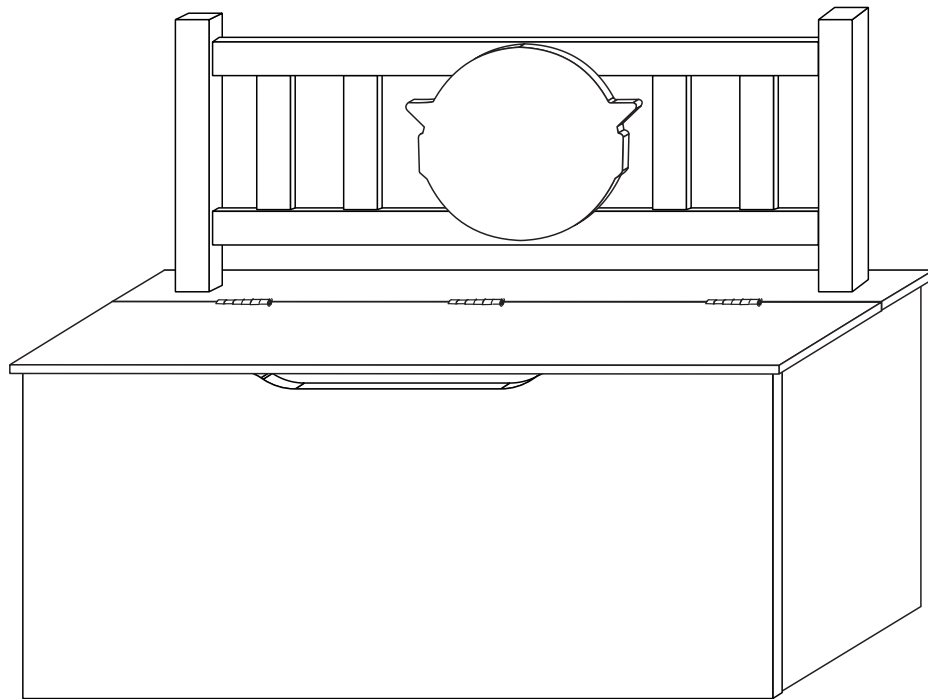


**WARNING:** PLEASE SECURE THIS PRODUCT WITH THE SUPPLIED WALL FIXING. IT IS STRONGLY RECOMMENDED THAT THIS PRODUCT IS PERMANENTLY FIXED TO THE WALL. REGULARLY CHECK THE ANCHOR IS SECURELY FASTENED.



**WARNING:** PLEASE SECURE YOUR PRODUCT WITH THE SUPPLIED WALL FIXING. SCAN THE CODE FOR MORE INFORMATION.





## CAUTION:

ADULT ASSEMBLY IS REQUIRED. UNASSEMBLED PARTS CONTAIN SCREWS WITH FUNCTIONAL SHARP POINTS. PLEASE KEEP UNASSEMBLED PARTS AWAY FROM SMALL CHILDREN. ADULT SUPERVISION IS RECOMMENDED. STOP USING THE PRODUCT IF THE LID SUPPORT DOES NOT KEEP THE LID OPEN IN EVERY POSITION.

**WARNING:** PLEASE CHECK CONDITION OF PRODUCT REGULARLY, AS SCREWS MAY LOOSEN WITH USE OVER TIME. TIGHTEN SCREW FITTINGS IF NECESSARY. DISCONTINUE USE OF THE ITEM IF ANY PART IS BROKEN, TORN OR MISSING AND USE ONLY SPARE PARTS APPROVED BY THE MANUFACTURER.

**WARNING:** DO NOT STAND ON THE PRODUCT. DO NOT USE THE PRODUCT AS A STEP LADDER. DO NOT USE THE PRODUCT UNLESS ALL BOLTS, SCREWS AND KNOBS ARE FIRMLY SECURED. CHECK AND TIGHTEN ALL PARTS REGULARLY. MAXIMUM SAFE LOAD LIMIT FOR INTERNAL BOTTOM BOARD: 25KG. SEATING SUITABLE USE FOR 2 KIDS ONLY. SEATING MAXIMUM LOAD LIMIT: 100KG, 50KG/SEAT. FAILURE TO FOLLOW THESE WARNINGS COULD RESULT IN SERIOUS INJURY.

**WARNING:** PLEASE SECURE THIS PRODUCT WITH THE SUPPLIED WALL FIXING. IT IS STRONGLY RECOMMENDED THAT THIS PRODUCT IS PERMANENTLY FIXED TO THE WALL. REGULARLY CHECK THE ANCHOR IS SECURELY FASTENED.

**CAUTION:** FOR YOUR SAFETY WHEN ATTACHING THE ANCHOR FIXINGS, PLEASE CHECK ANY ELECTRICAL WIRES OR PLUMBING INSIDE THE WALL BEFORE DRILLING ANY HOLES. IF UNSURE, CONSULT AN EXPERT.

**WARNING:** DO NOT PLACE THIS PRODUCT NEAR A WINDOW AS IT CAN BE USED AS A STEP BY THE CHILD AND CAUSE THE CHILD TO FALL OUT OF THE WINDOW. BE AWARE OF THE RISK OF OPEN FIRES AND OTHER SOURCES OF STRONG HEAT IN THE VICINITY OF THE PRODUCT. DO NOT PLACE THIS PRODUCT NEAR A WINDOW WHERE CORDS FROM BLINDS OR CURTAINS COULD STRANGLE A CHILD.

**CARE INSTRUCTION:** WIPE CLEAN WITH A SLIGHTLY DAMP CLOTH. DO NOT USE ABRASIVE MATERIALS AND SOLVENTS. CHECK AND TIGHTEN ALL PARTS REGULARLY. STORE IN A DRY PLACE.

## WARNING

CHOKING HAZARD-SMALL PARTS.  
NOT SUITABLE FOR CHILDREN UNDER 3 YEARS.

**MADE IN CHINA.**

CUSTOMER SERVICE:

**KMART AU:** 1800 124 125

**KMART NZ:** 0800 945 995

**TARGET AU:** 1300 753 567