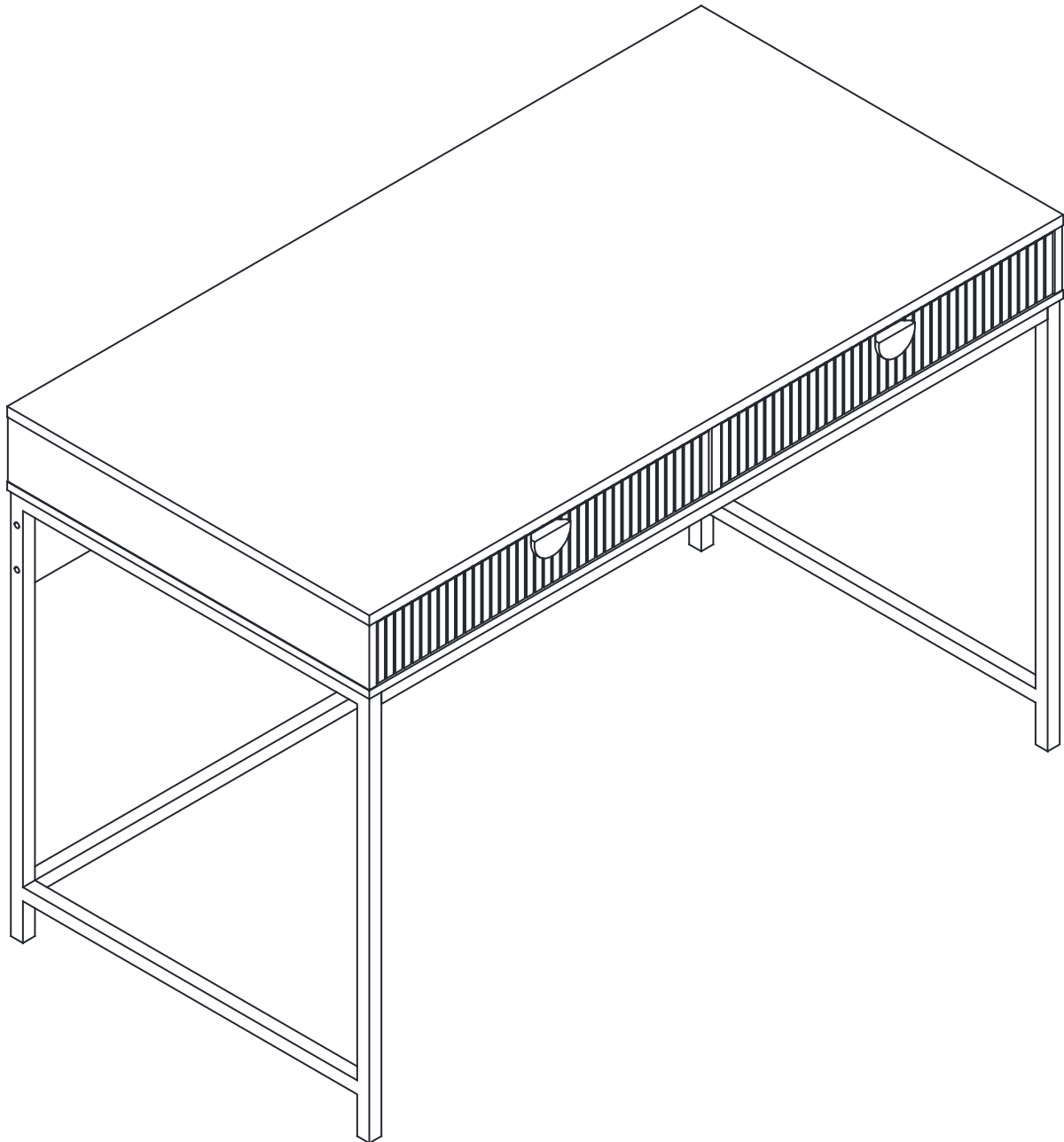


STEVIE 2 DRAWER DESK

Instruction Manual



The photos and illustrations shown in this instruction manual are generic.
The manufacturer reserves the right to change any specification or feature without prior notice.

IMPORTANT: KEEP FOR FUTURE REFERENCE. READ CAREFULLY.

Assembly Instructions

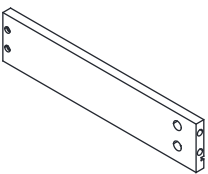
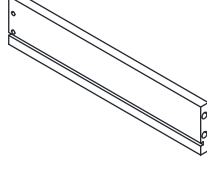
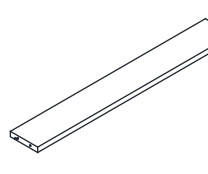
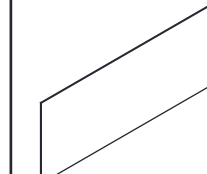
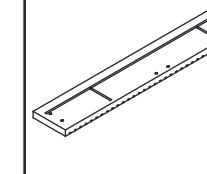
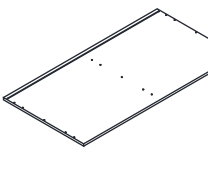
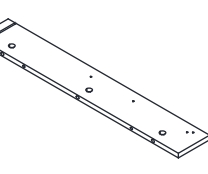
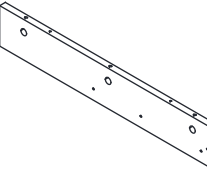
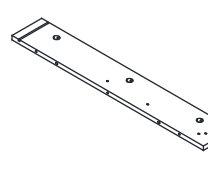
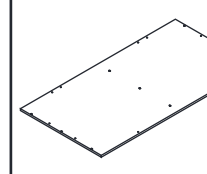
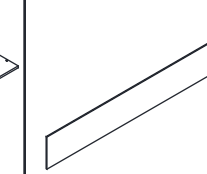
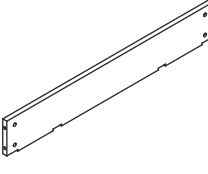
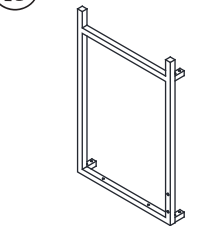
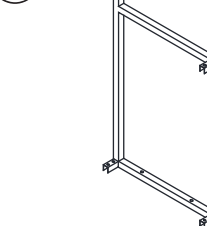
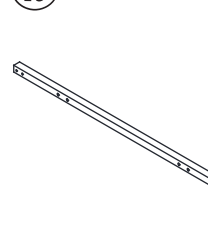
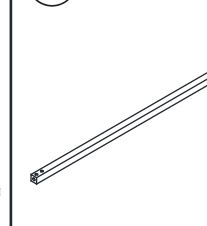
43684298 STEVIE 2 DRAWER DESK

CARE INSTRUCTIONS: WIPE CLEAN WITH A SOFT DAMP CLOTH. NEVER USE SCOURERS, ABRASIVES OR CHEMICAL SOLVENTS. KEEP AWAY FROM MOISTURE AND DIRECT SUNLIGHT. STORE IN A DRY PLACE. FOR INDOOR USE ONLY.

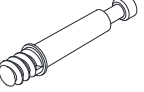


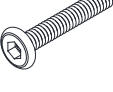

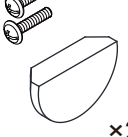








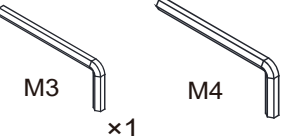
WARNING: DO NOT STAND, SIT OR LEAN ON THE UNIT. DO NOT USE THIS UNIT AS A STEP LADDER. ENSURE THIS UNIT IS USED ONLY ON A FLAT SURFACE. DO NOT USE THIS UNIT UNLESS ALL BOLTS AND SCREWS ARE FIRMLY SECURED. DO NOT PLACE HOT OBJECTS SUCH AS COFFEE CUPS DIRECTLY ON THE SURFACE OF THIS FURNITURE ITEM. THIS ITEM IS FOR STORAGE PURPOSES ONLY. CONTAINS SMALL PARTS. IT IS TO BE ASSEMBLED BY AN ADULT. FAILURE TO FOLLOW THESE WARNINGS COULD RESULT IN SERIOUS INJURY.

MAXIMUM SAFE LOAD: 30kg for top, 5kg for each drawer.

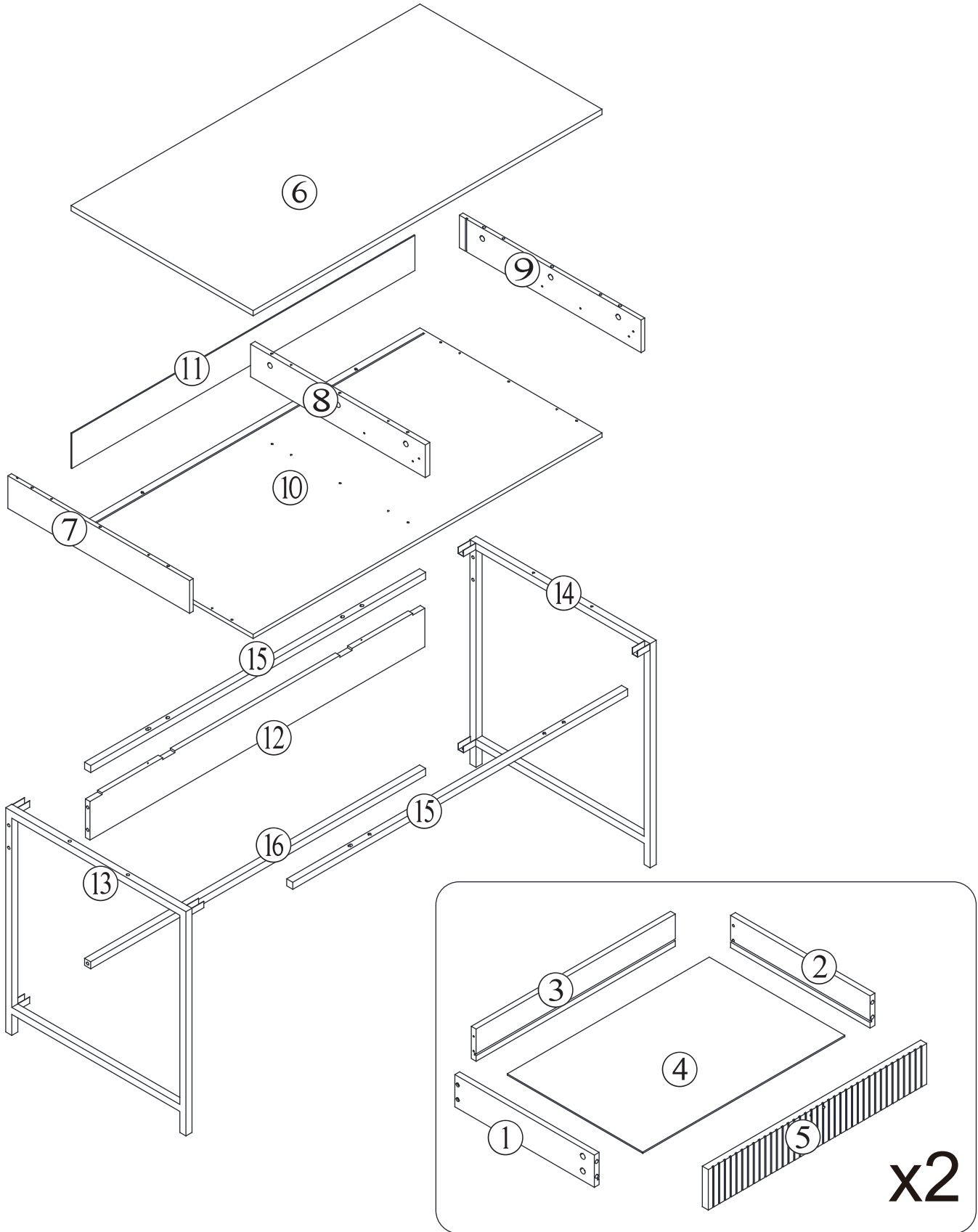
Hardware List

① x 2 	② x 2 	③ x 2 	④ x 2 	⑤ x 2 	⑥ x 1 
⑦ x 1 	⑧ x 1 	⑨ x 1 	⑩ x 1 	⑪ x 1 	⑫ x 1 
⑬ x 1 	⑭ x 1 	⑮ x 2 	⑯ x 1 		

Parts List

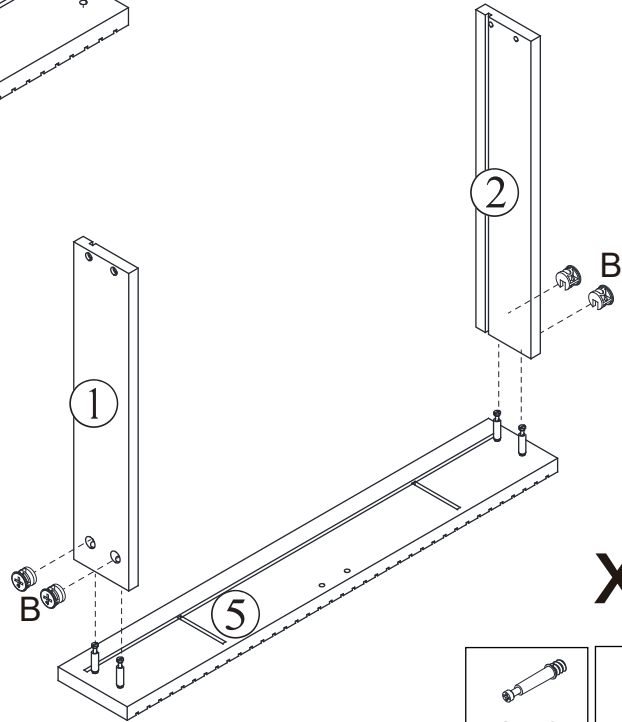
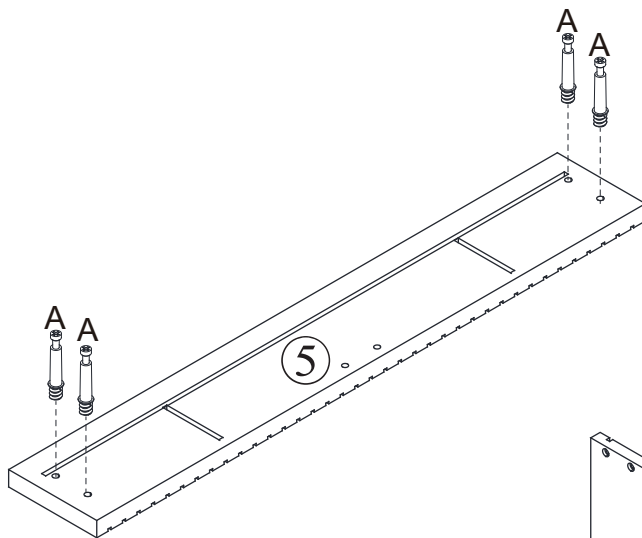
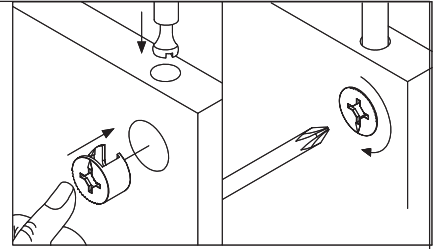
A  x17	B  x17	C  M8x30mm x12	D  M6x55mm x4	E  x4	F  x2	G  M4x35mm x8	H  M3x12mm x28
J  M6x27mm x8	K  M6x10mm x12	L  M5x55mm x2	M  x6	N  M5x38mm x9			
 CL x 2 DL x 2 DR x 2 CR x 2				 M3 x 1 M4 x 1			

PANEL LAYOUT

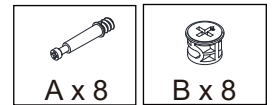
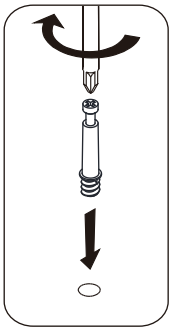


ATTENTION: DO NOT TIGHTEN THE SCREWS FULLY DURING ASSEMBLY. FULLY TIGHTEN SCREWS AFTER THE FINAL ASSEMBLY STEP.

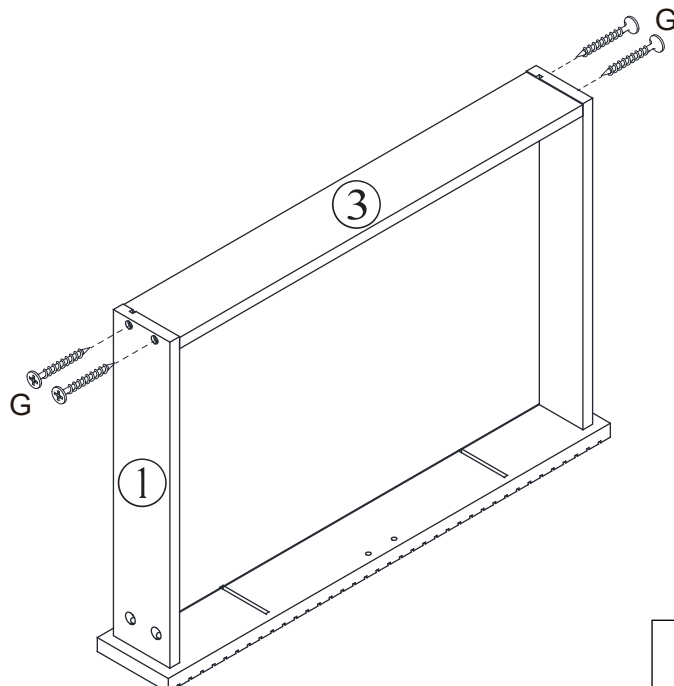
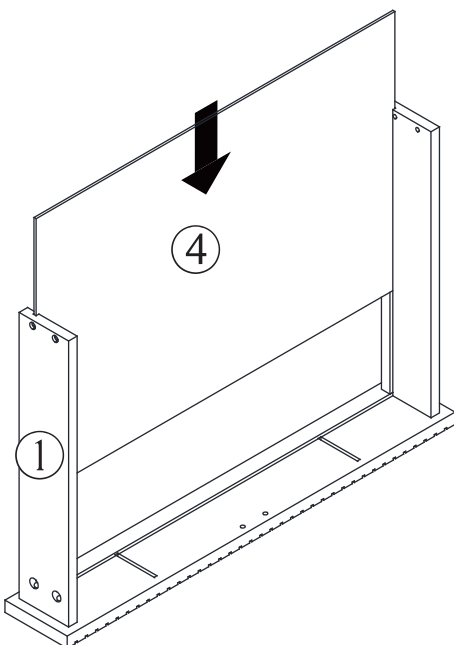
STEP 1



x2



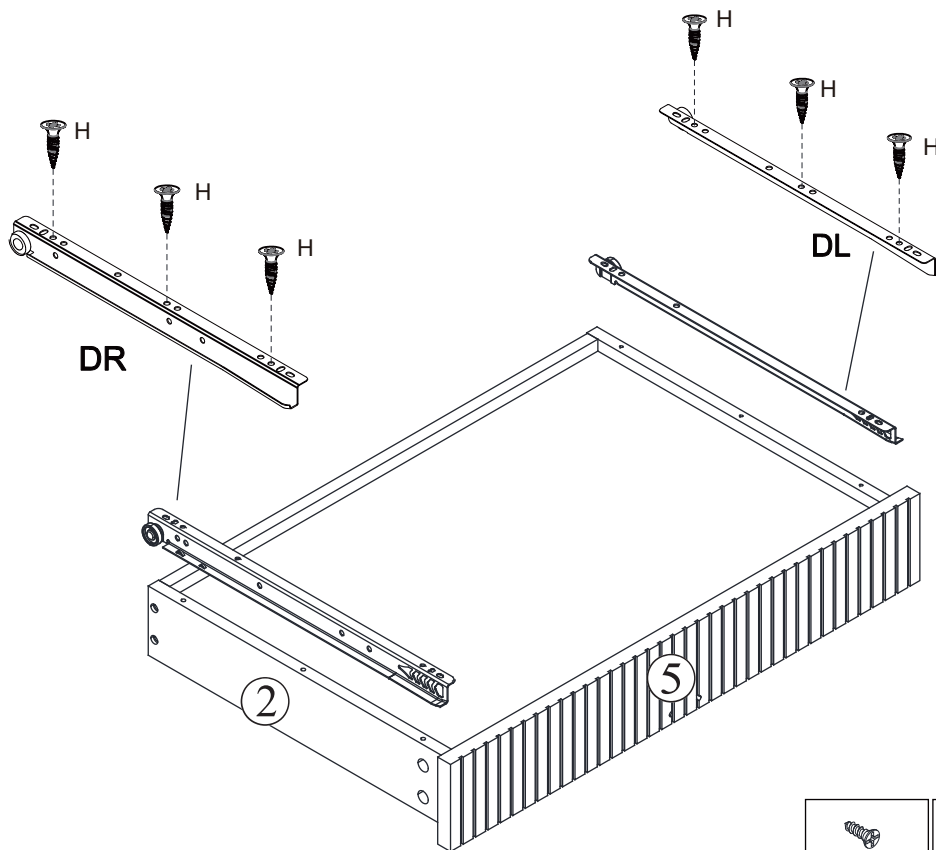
STEP 2



x2



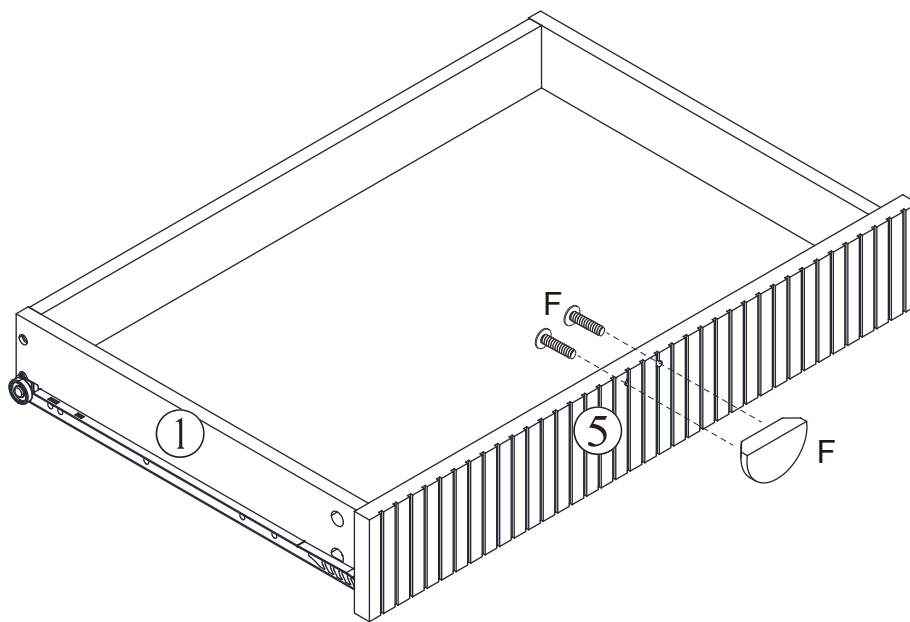
STEP 3



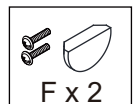
x2



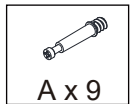
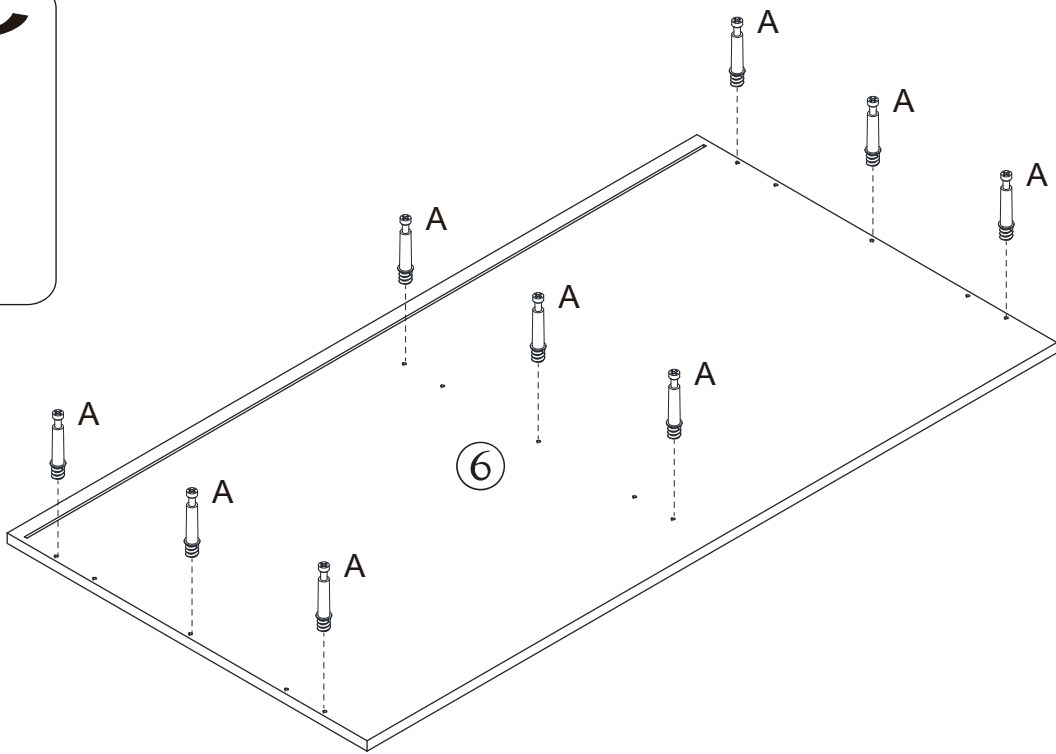
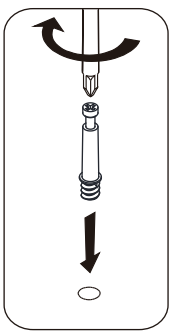
STEP 4



x2

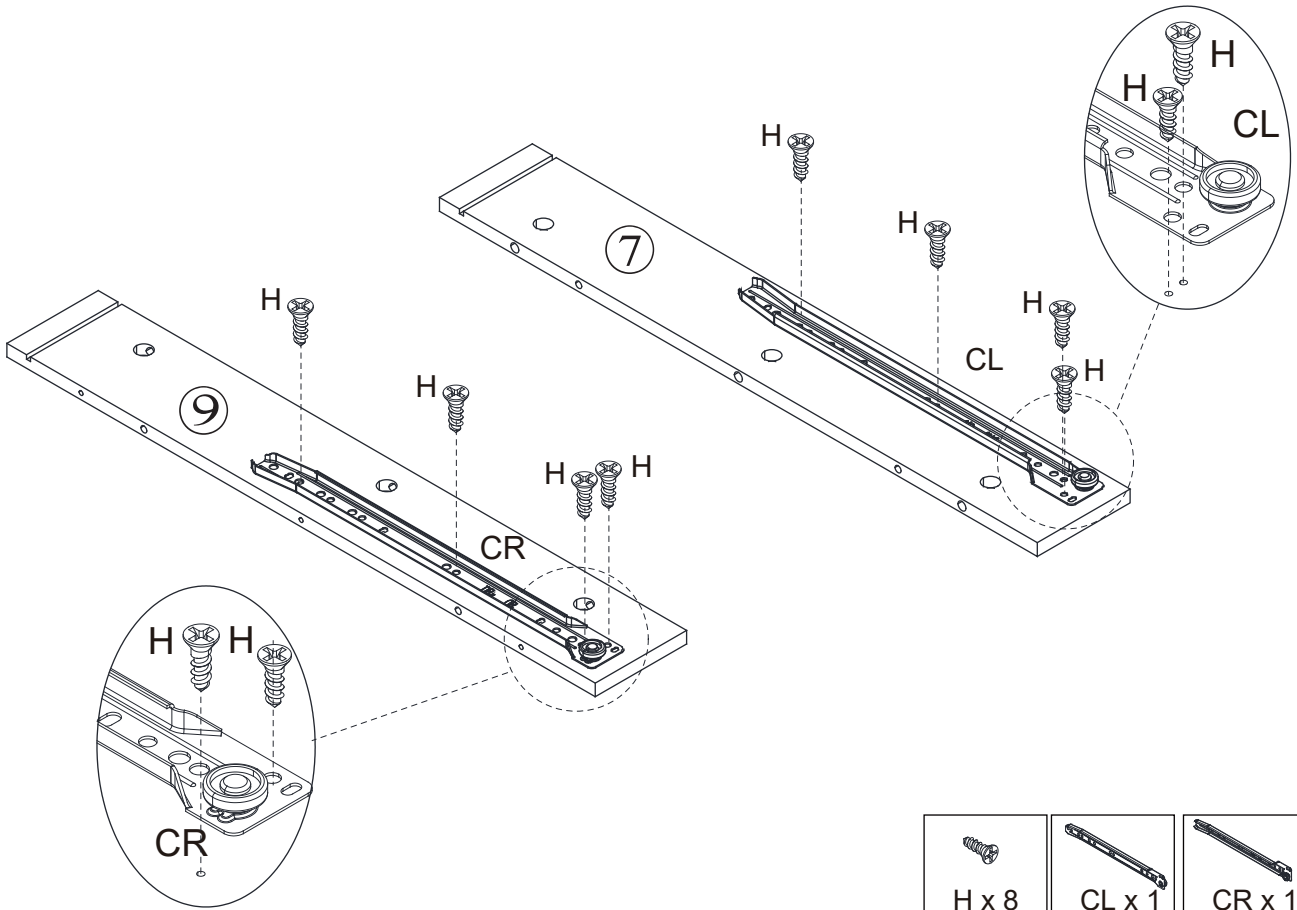


STEP 5



A x 9

STEP 6



H x 8

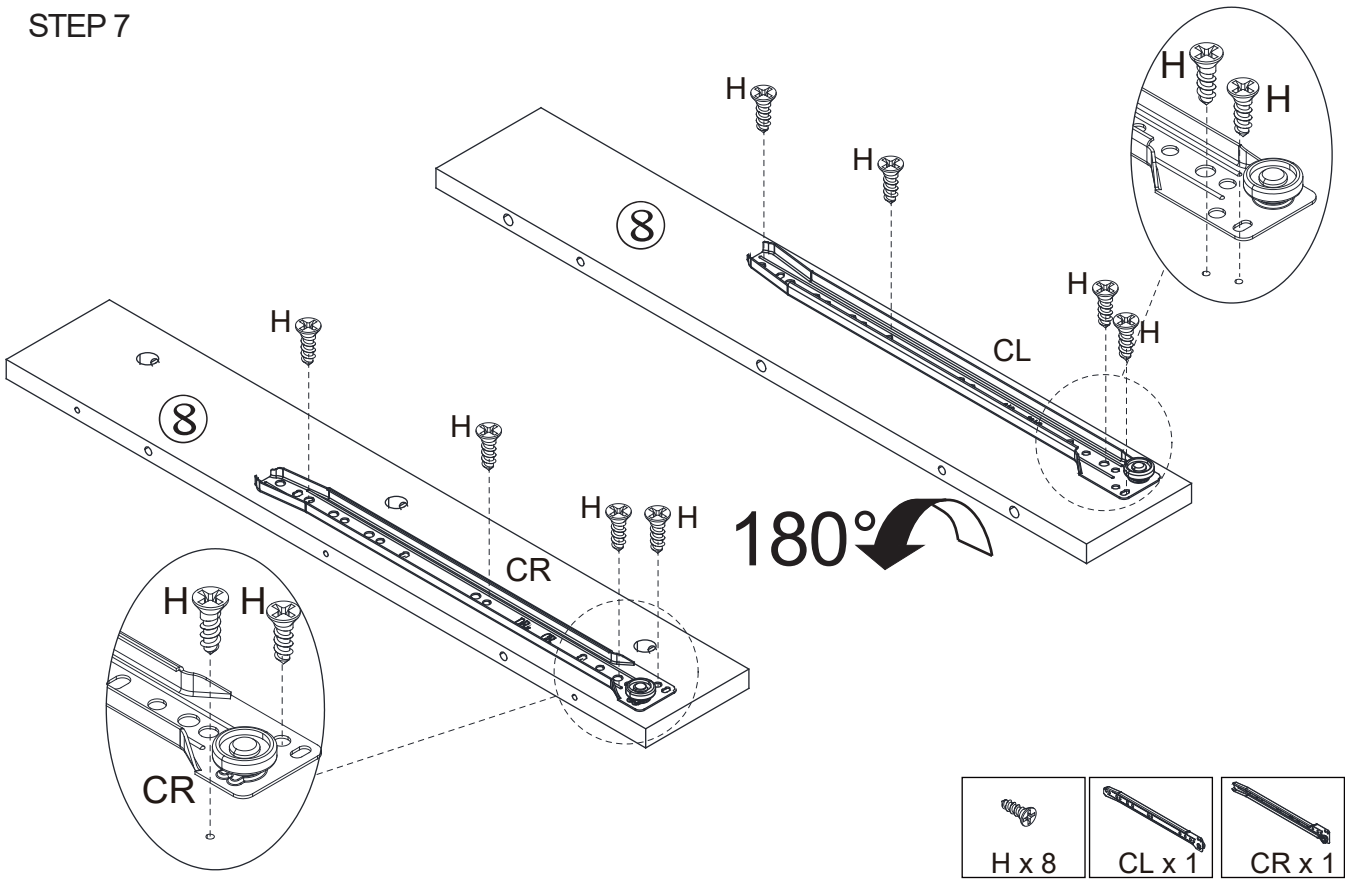


CL x 1



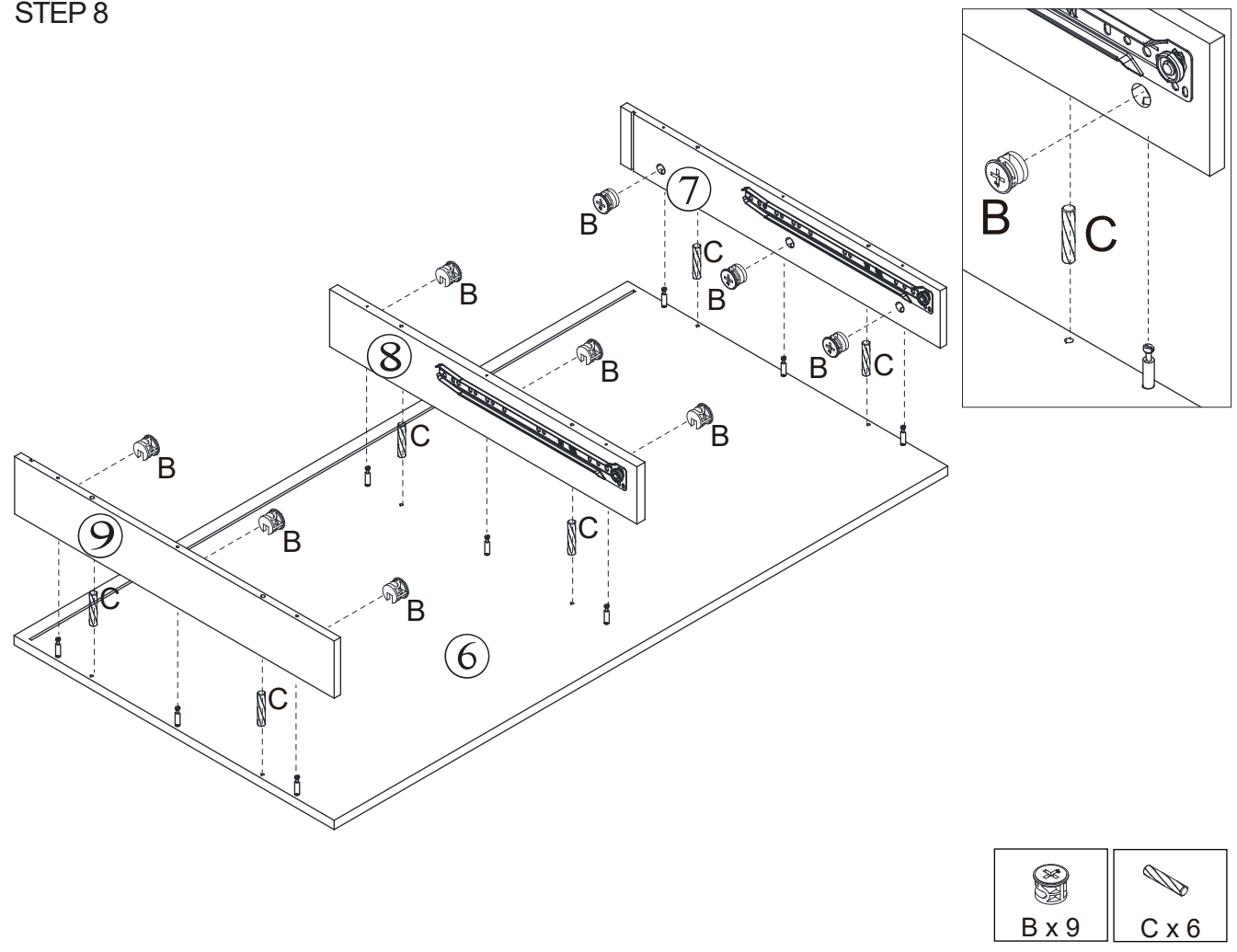
CR x 1



STEP 7



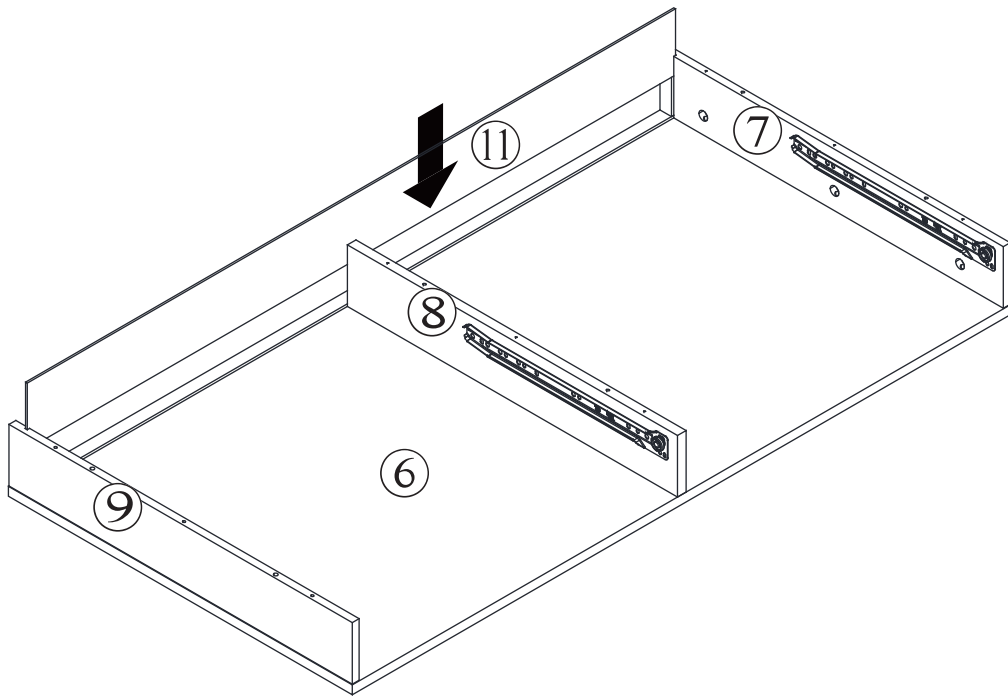
- | | | |
|---|--|--|
|  H x 8 |  CL x 1 |  CR x 1 |
|---|--|--|

STEP 8

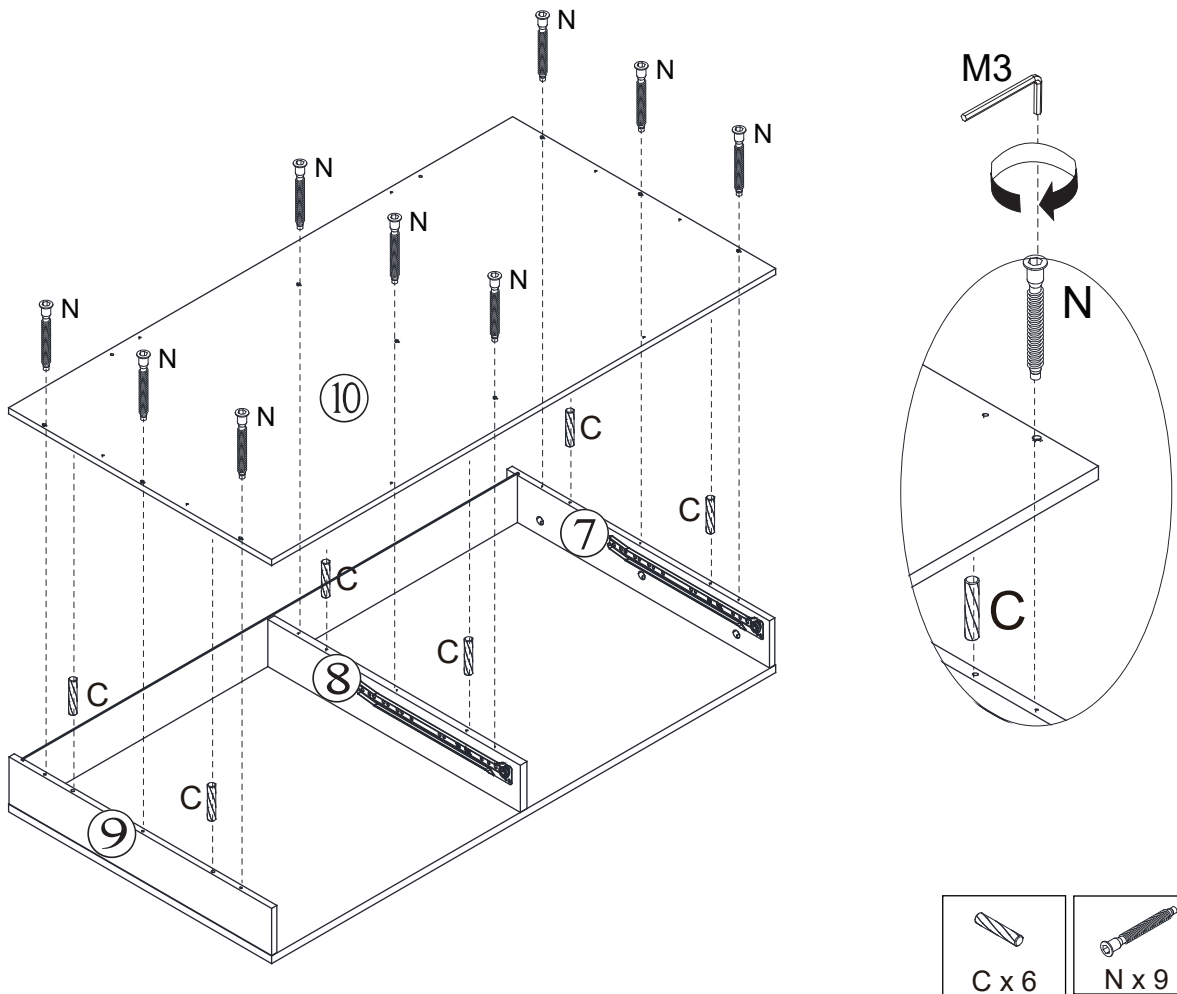


- | | |
|---|---|
|  B x 9 |  C x 6 |
|---|---|

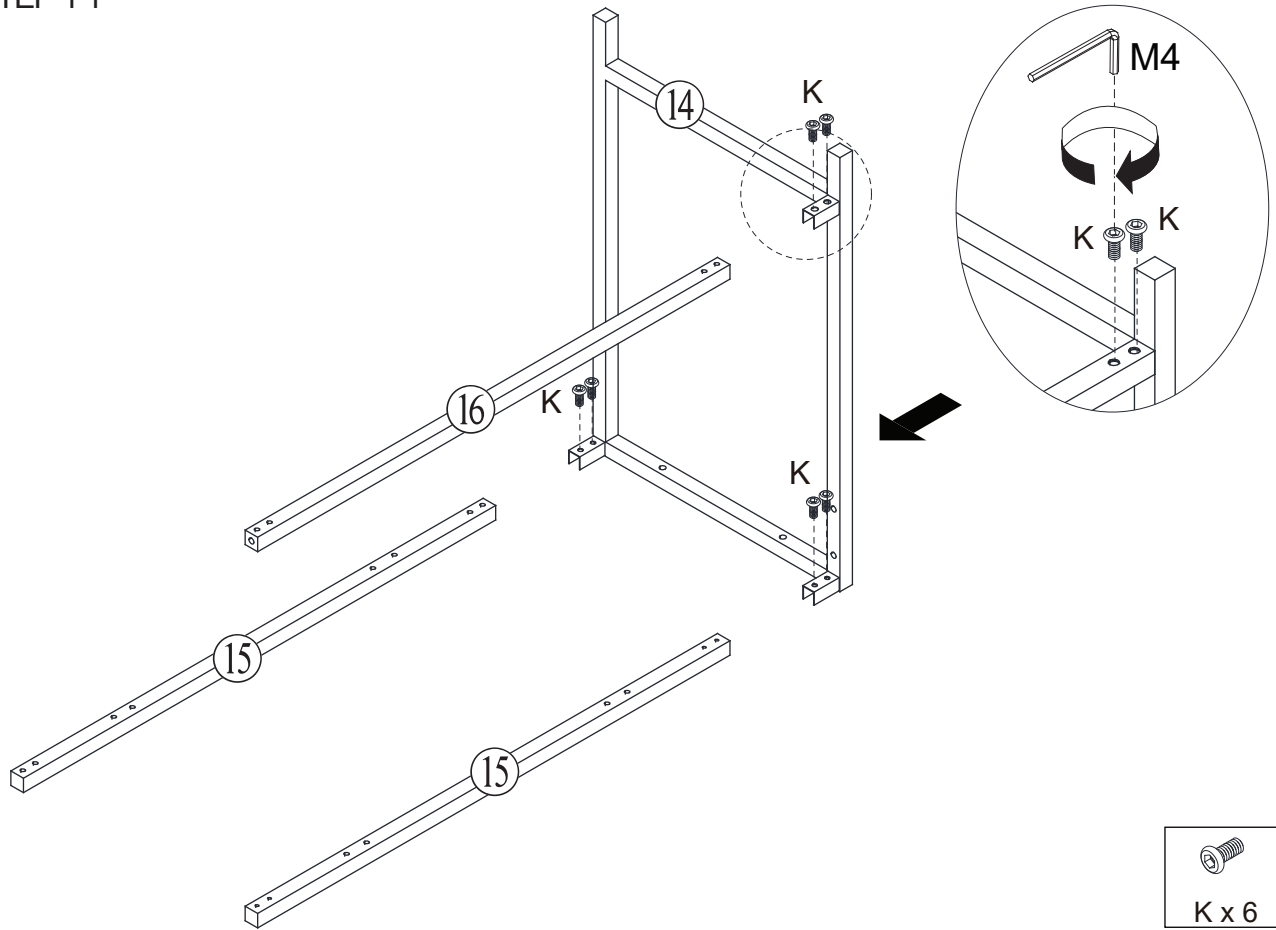
STEP 9



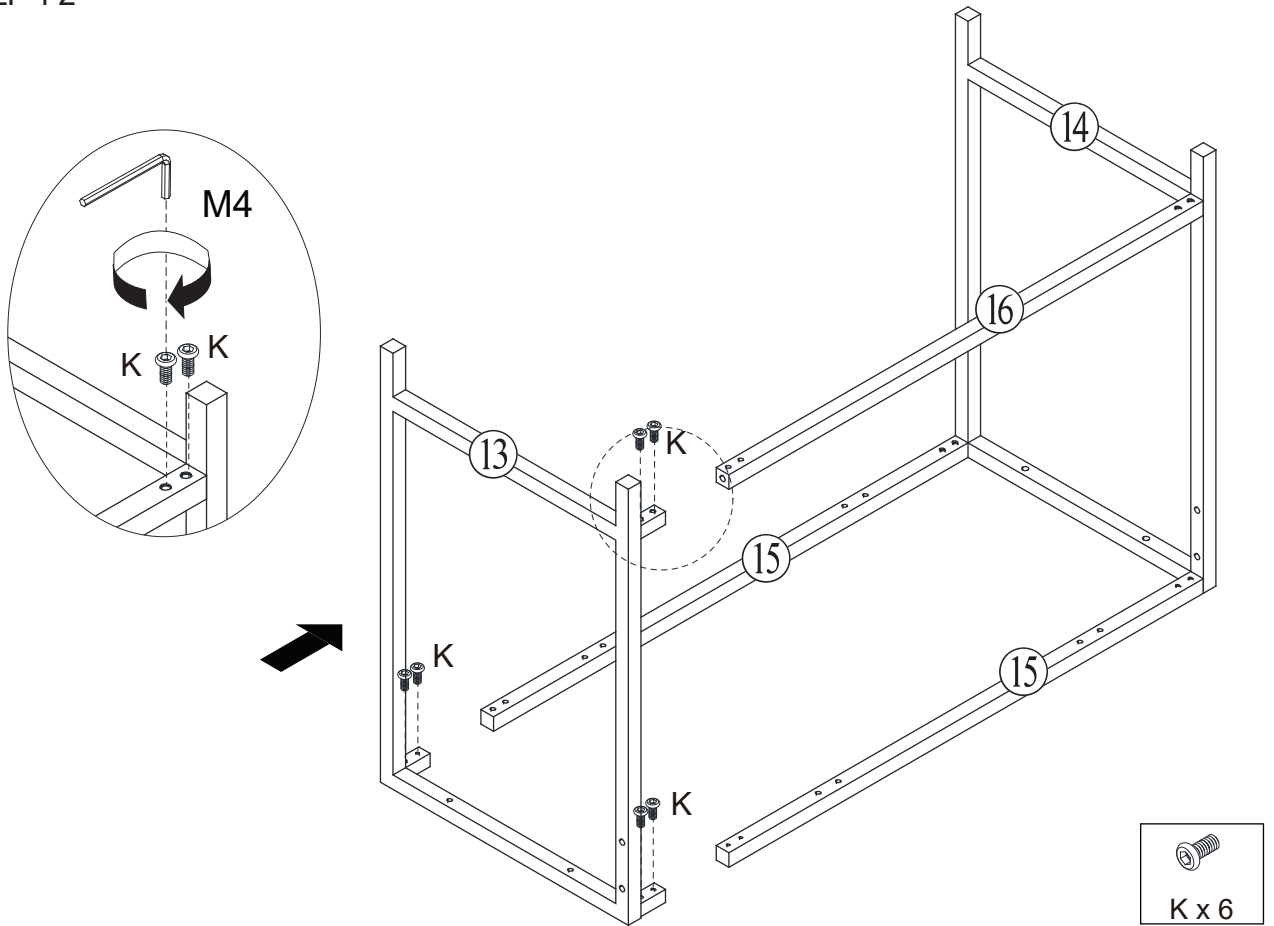
STEP 10



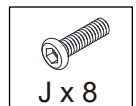
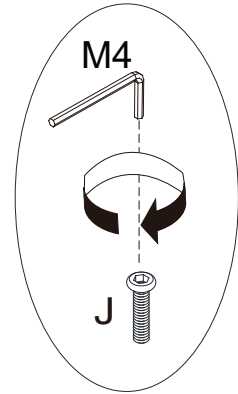
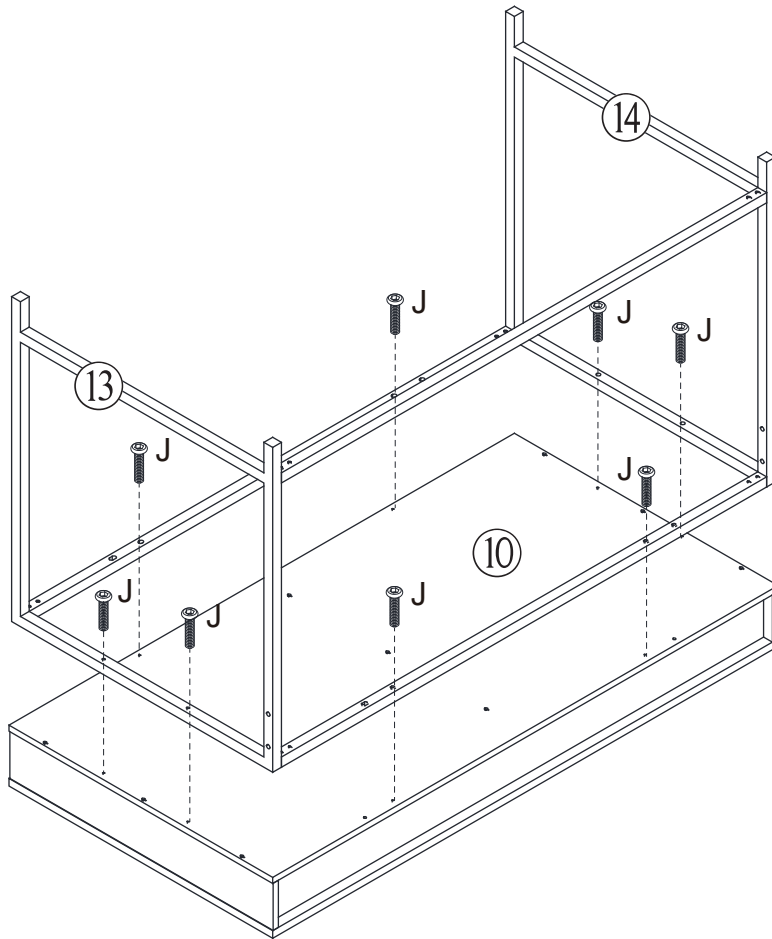
STEP 11



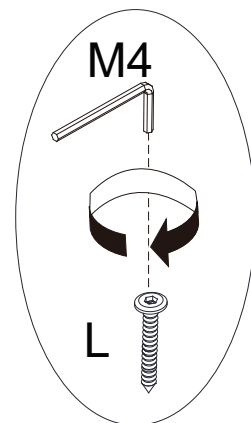
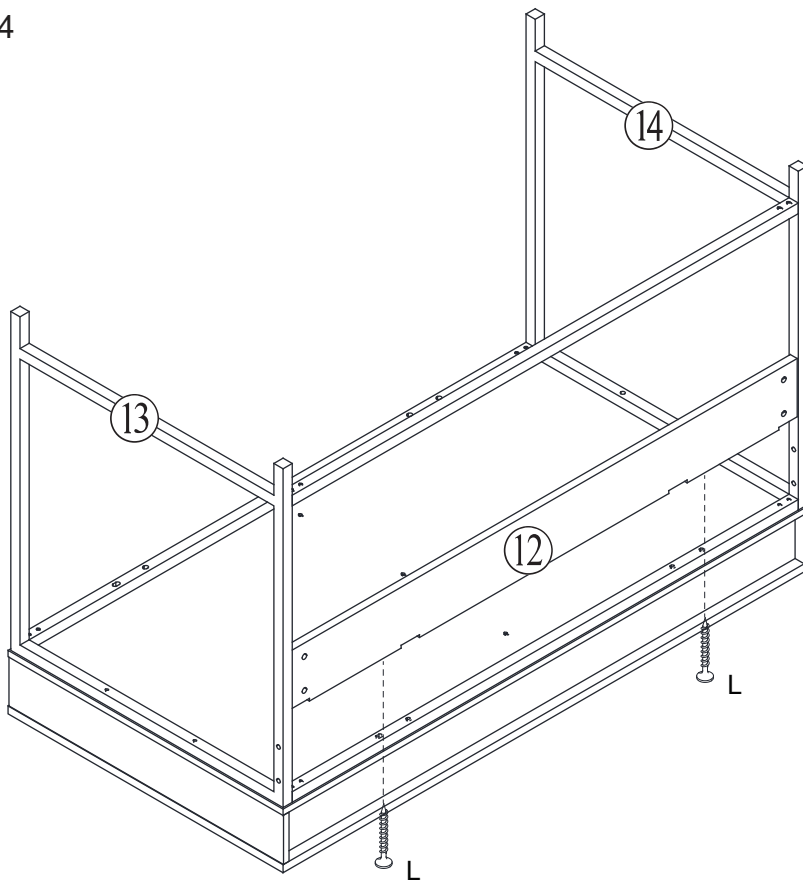
STEP 12



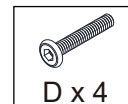
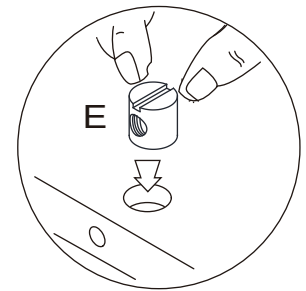
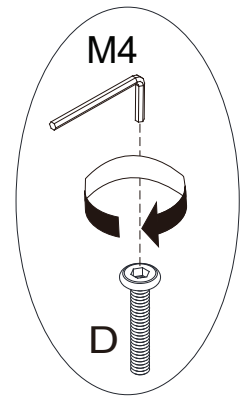
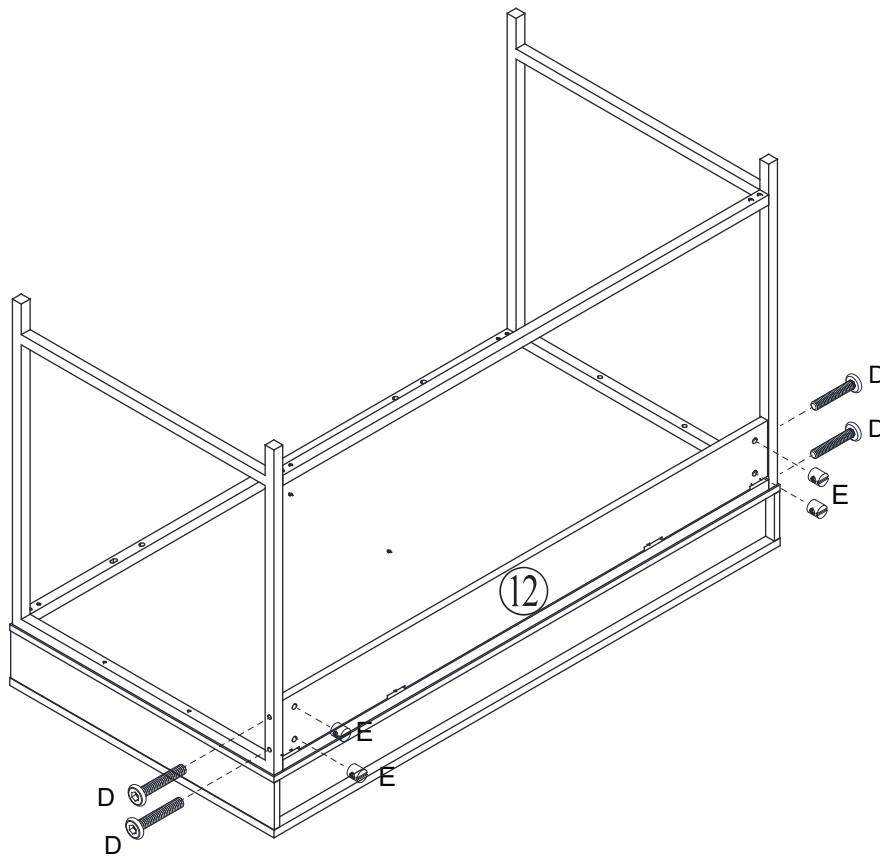
STEP 13



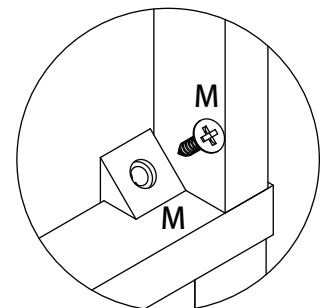
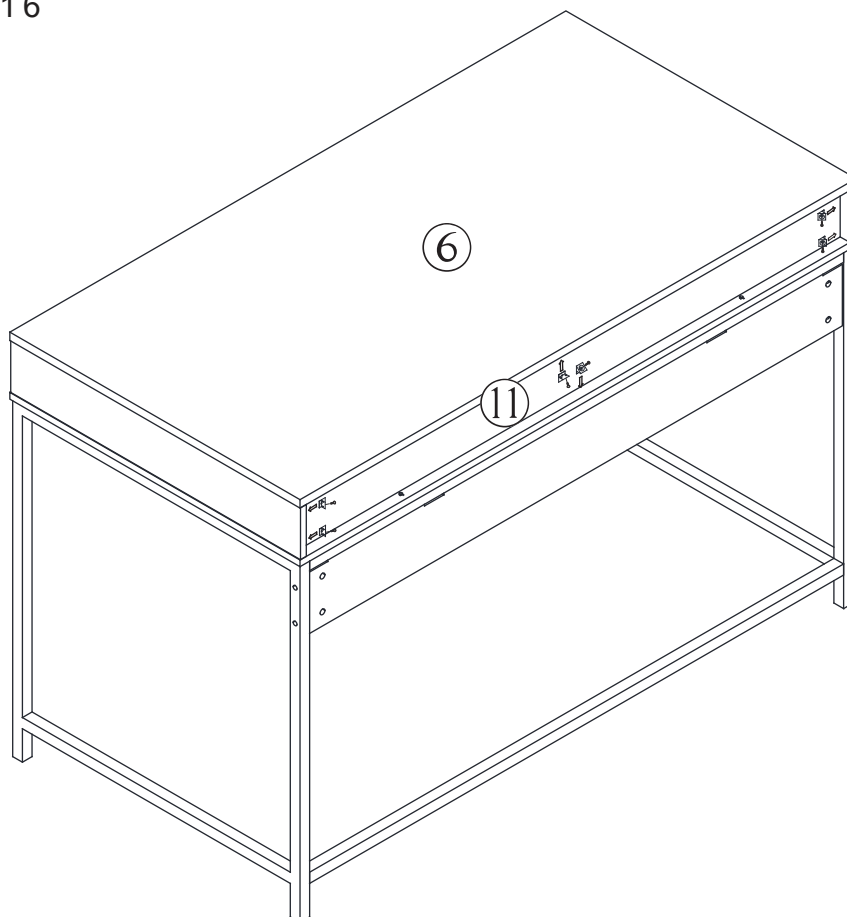
STEP 14



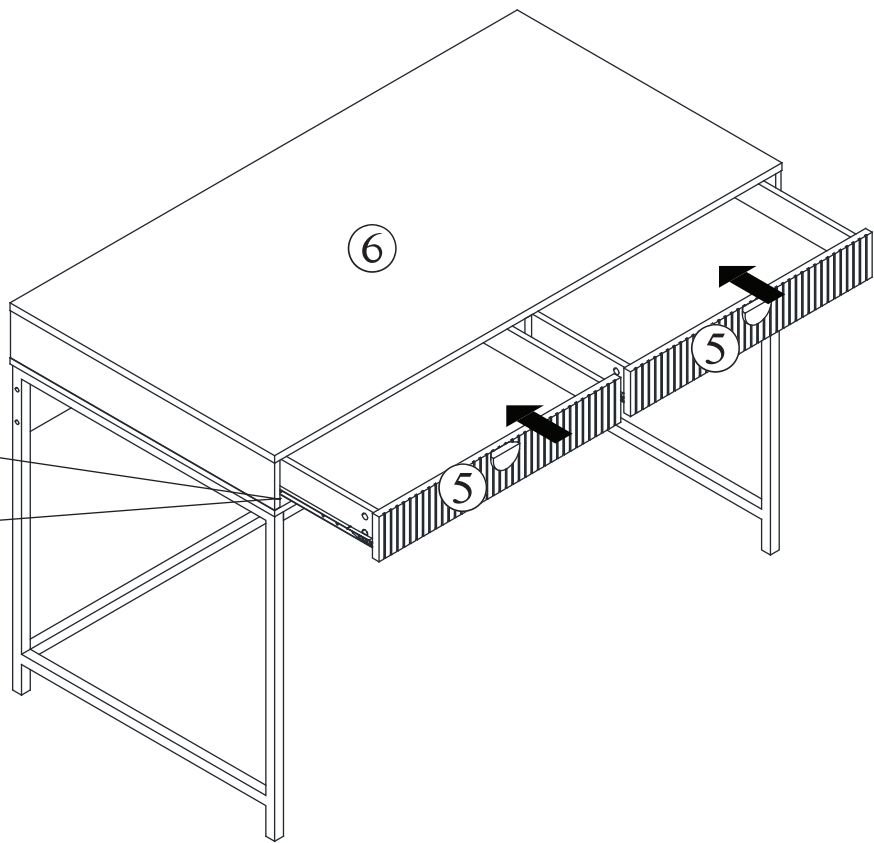
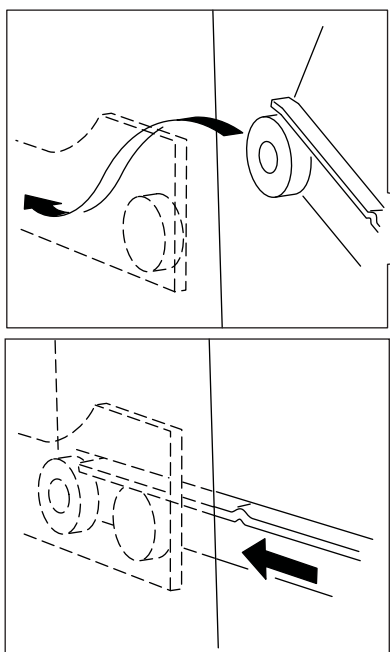
STEP 15



STEP 16



STEP 17



STEP 18

