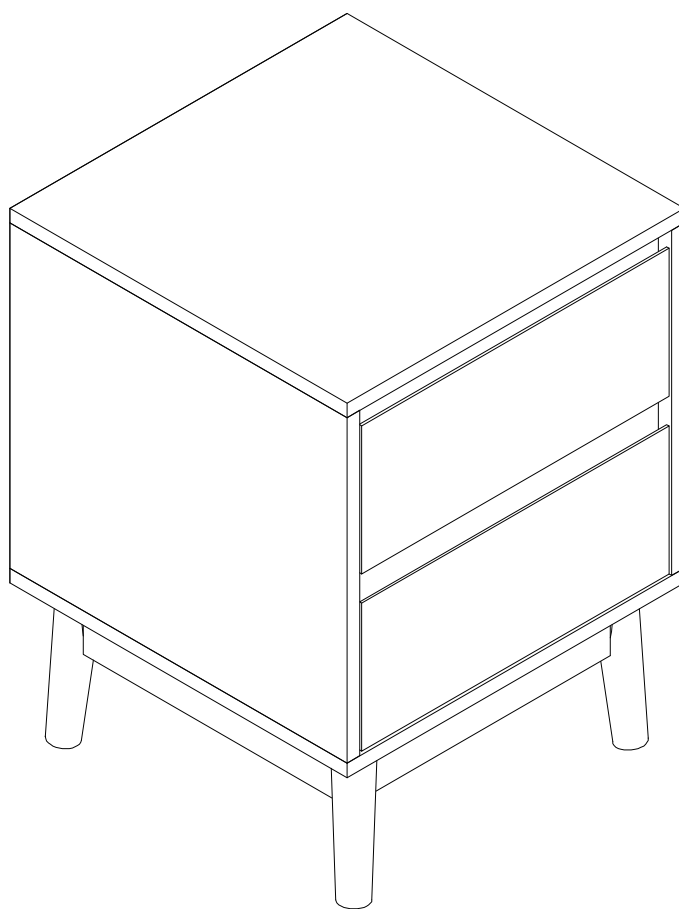




THORNE 2 DRAWER BEDSIDE TABLE

Instruction Manual



The photos and illustrations shown in this instruction manual are generic.
The manufacturer reserves the right to change any specification or feature without prior notice.

IMPORTANT: KEEP FOR FUTURE REFERENCE. READ CAREFULLY.

Assembly Instruction

43683413 THORNE 2 DRAWER BEDSIDE TABLE

CARE INSTRUCTIONS:










WIPE CLEAN WITH A DRY CLOTH. NOT USE ABRASIVE MATERIALS AND SOLVENTS. CHECK AND TIGHTEN ALL PARTS REGULARLY. KEEP AWAY FROM WATER AND DIRECT SUNLIGHT. STORE IN A DRY PLACE. FOR DOMESTIC USE ONLY. FOR INDOOR USE ONLY. A MILD ODOUR MAY BE PRESENT WHEN FIRST OPENING THIS CARTON. SIMPLY ALLOW TO AIR OUTSIDE AND THIS WILL FADE.

WARNING:

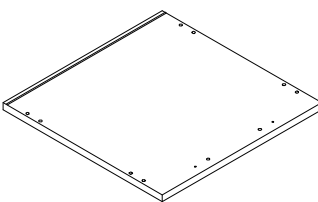
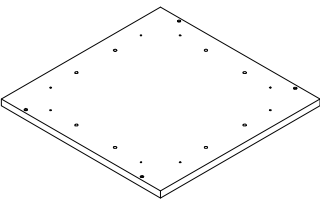
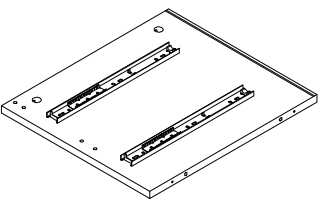
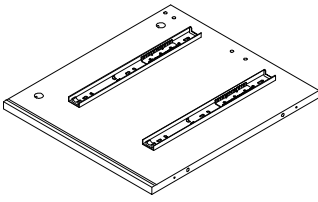
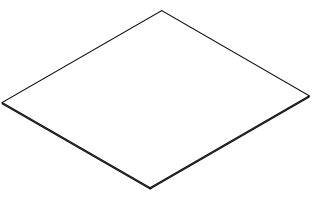
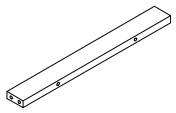
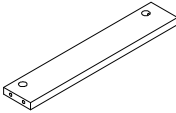
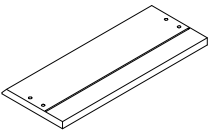
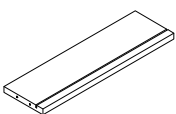
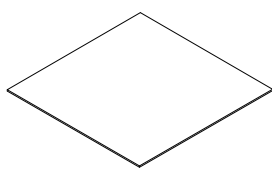
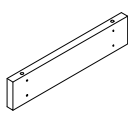


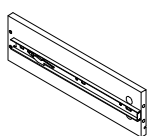
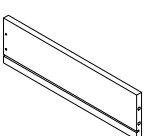
DO NOT STAND OR SIT ON THIS UNIT. DO NOT USE THIS UNIT UNLESS ALL BOLTS AND SCREWS ARE FIRMLY SECURED. DO NOT KNOCK OR DRAG THIS UNIT. USE ONLY ON A FLAT SURFACE. ADULT ASSEMBLY REQUIRED. FAILURE TO FOLLOW THESE WARNING COULD RESULT IN SERIOUS INJURY. LOAD DRAWER EVENLY TO PREVENT FROM TIPPING OVER. THIS PACKAGE CONTAINS SMALL PARTS AND SHARP POINTS. KEEP AWAY FROM CHILDREN AND BABIES.

MAXIMUM SAFE LOAD: 10KG FOR TOP PANEL, 5KG FOR EACH DRAWER.

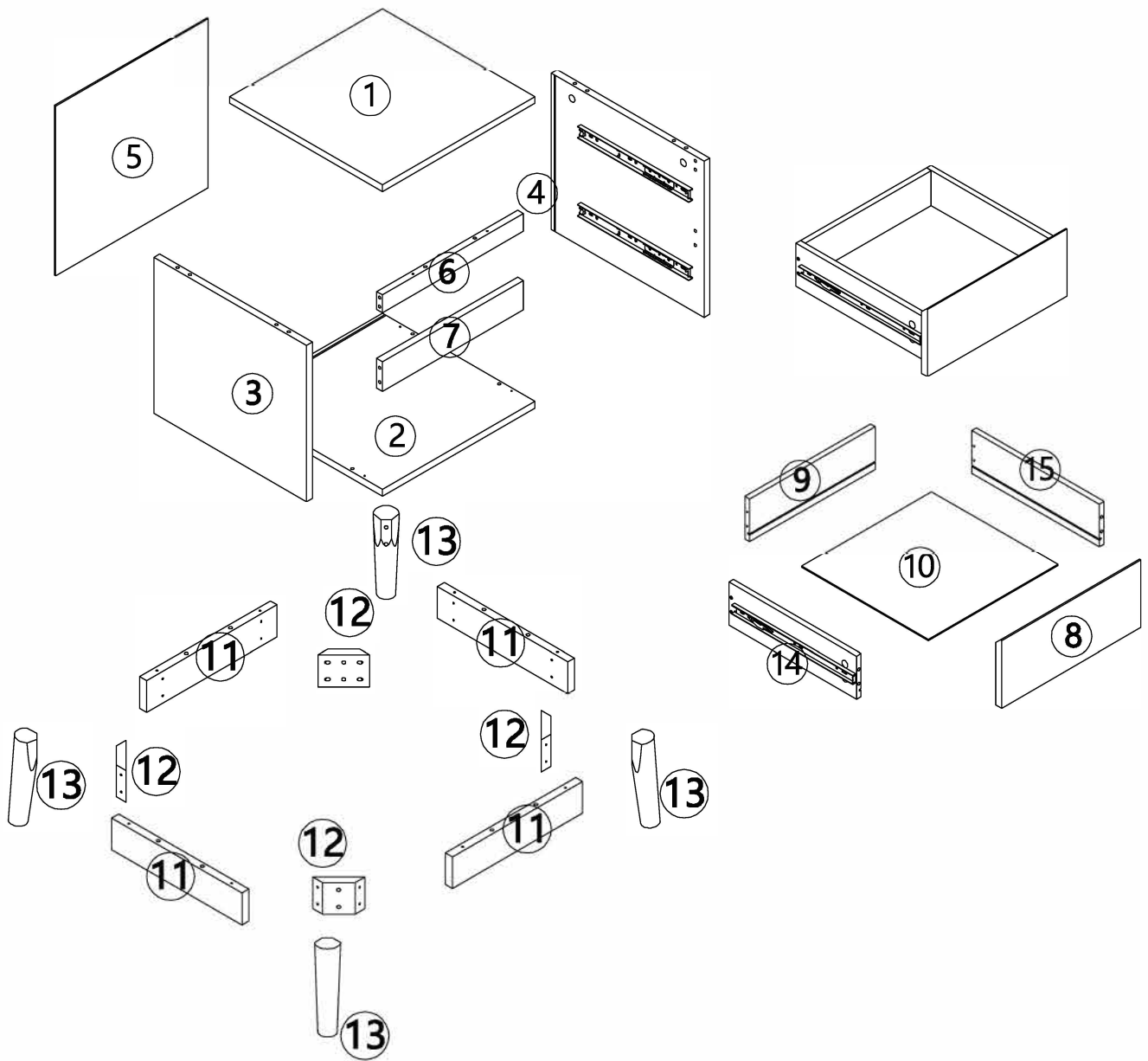
1 Hardware List

| | | | | | | | | | | | | | | | |
|---|---|--------|-------|---|---|----------|-------|---|---|--------|-------|---|---|--------|-------|
| a |  | 6x35mm | 14pcs | b |  | 15x9.5mm | 14pcs | c |  | 6x30mm | 24pcs | d |  | 4x35mm | 14pcs |
| l |  | | 1pc | f |  | 4x25mm | 16pcs | g |  | 6x55mm | 8pcs | h |  | 4x55mm | 8pcs |
| p |  | | 4pcs | | | | | | | | | | | | |

2 Parts List

| | | | | | | | |
|---|---|--|---|---|------|---|------|
|  |  |  |  | | | | |
| ① | 1PC | ② | 1PC | ③ | 1PC | ④ | 1PC |
|  |  |  |  | | | | |
| ⑤ | 1PC | ⑥ | 1PC | ⑦ | 1PC | ⑧ | 2PCS |
|  |  |  |  | | | | |
| ⑨ | 2PCS | ⑩ | 2PCS | ⑪ | 4PCS | ⑫ | 4PCS |
|  |  |  | | | | | |
| ⑬ | 4PCS | ⑭ | 2PCS | ⑮ | 2PCS | | |

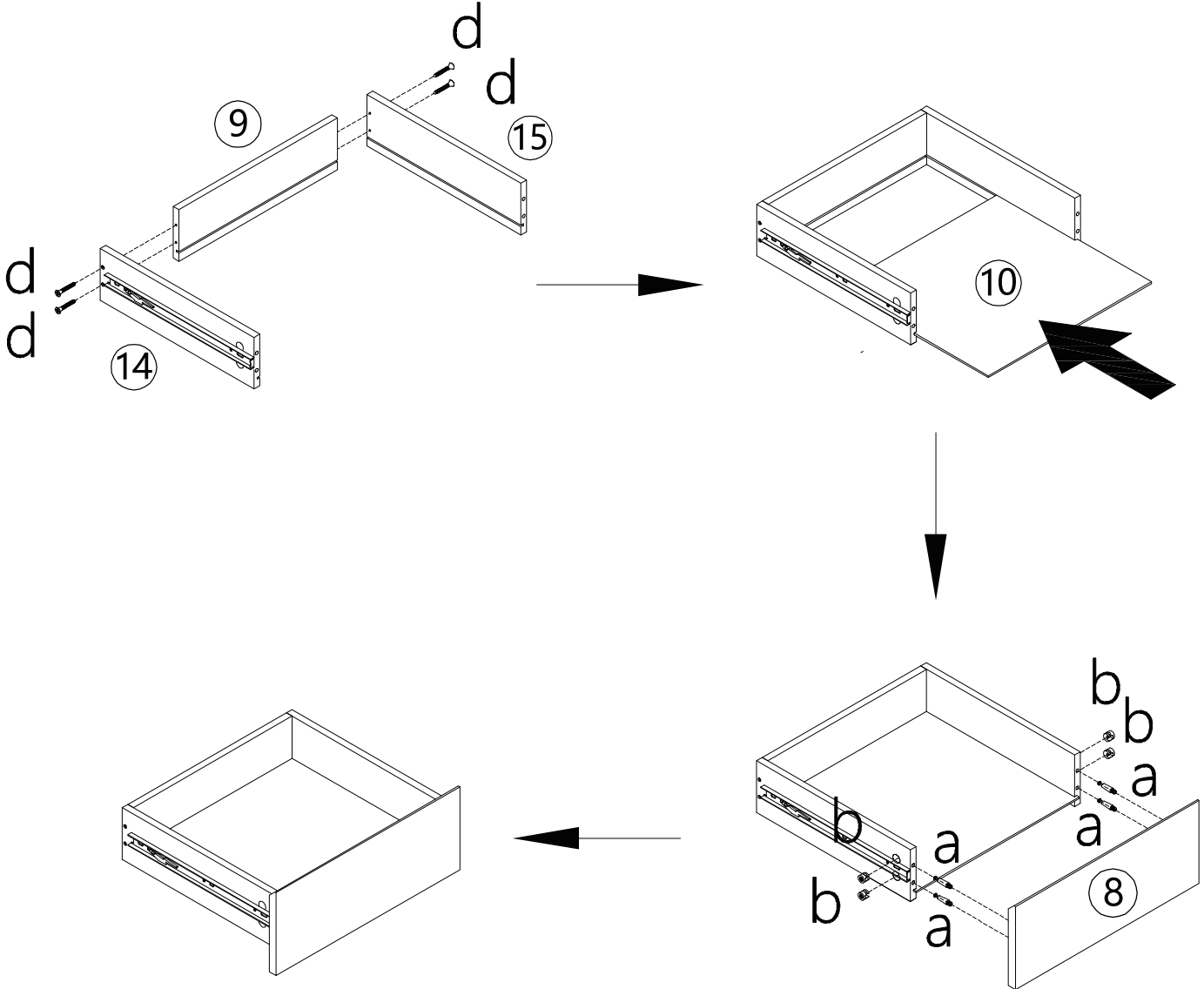
PANEL LAYOUT



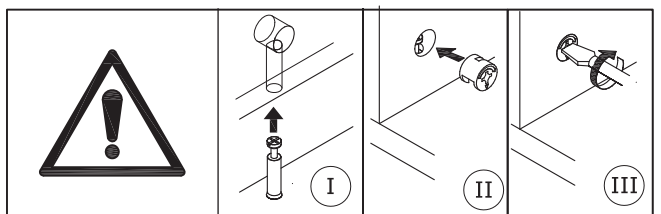
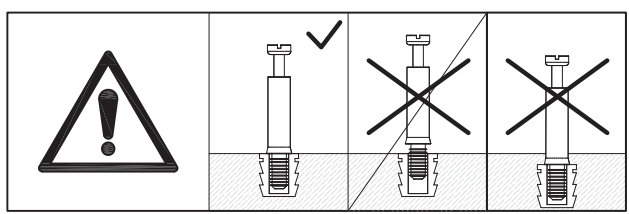
Do not tighten the screws fully during assembly.
Fully tighten screws after the final assembly steps.

STEP 1

 x8  x8  x8

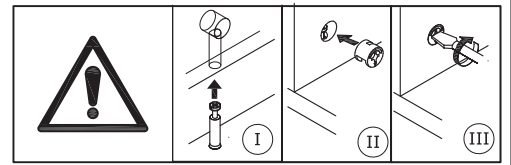
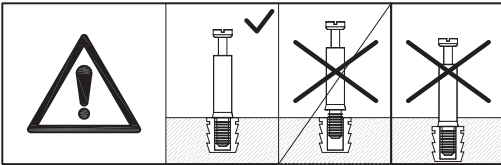
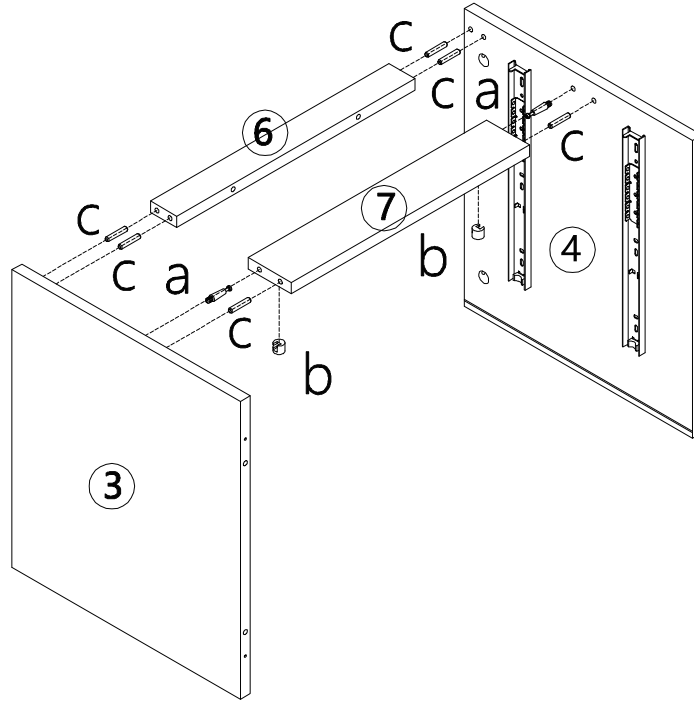


x2







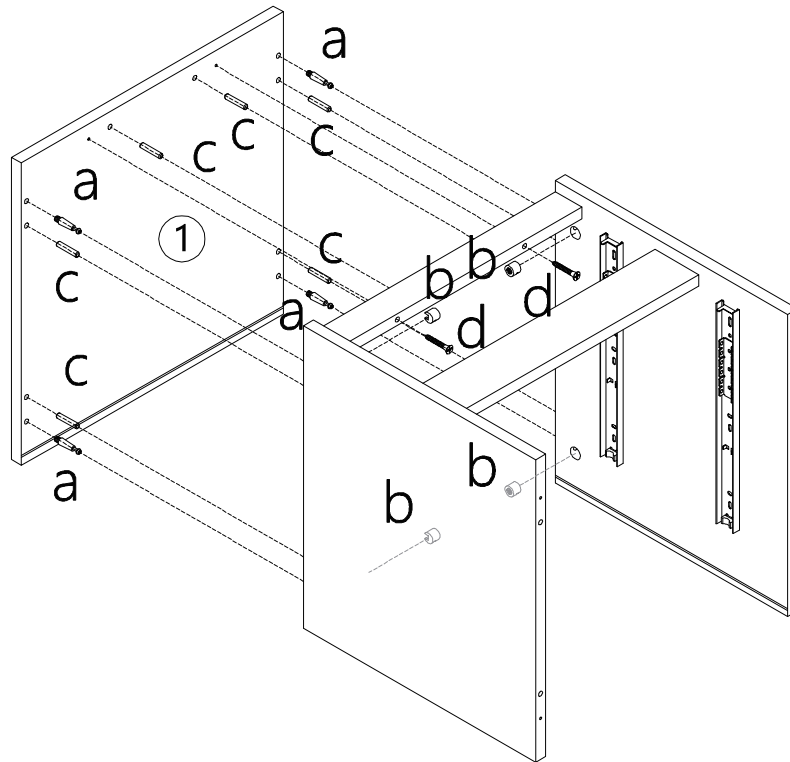
STEP 2

 x2  x2  x6

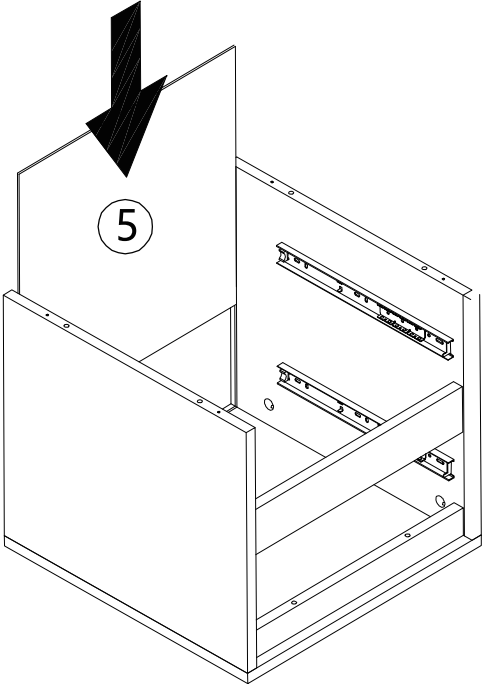


STEP 3

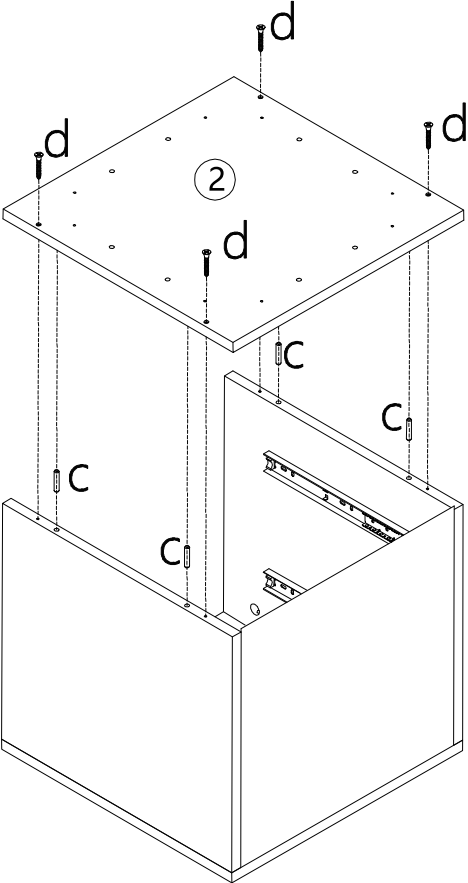
 x4  x4  x6  x2



STEP 4

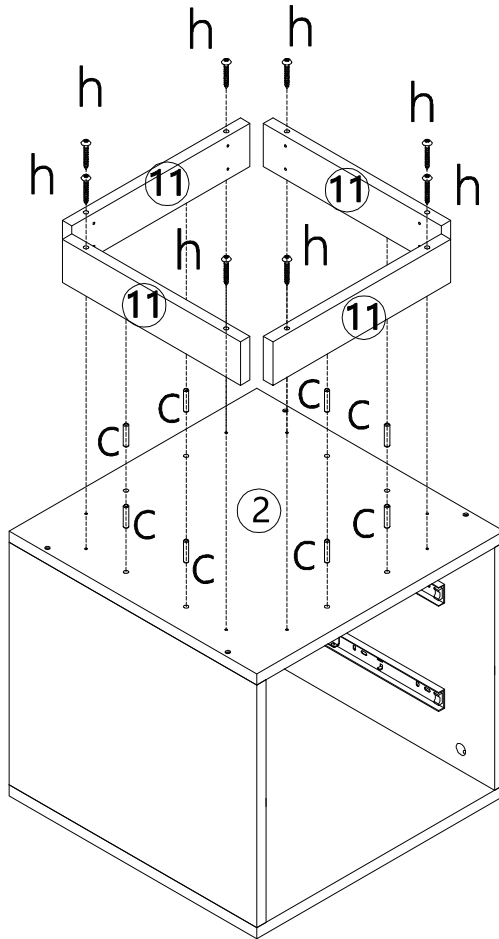


STEP 5




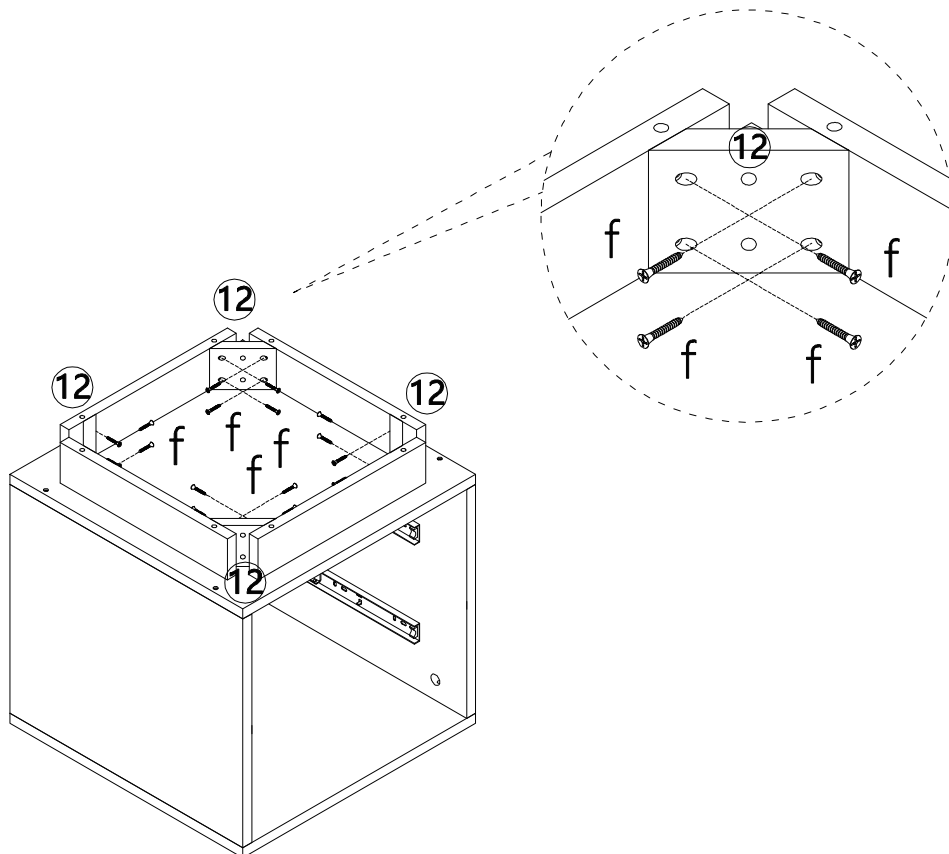
STEP 6

 x8  x8



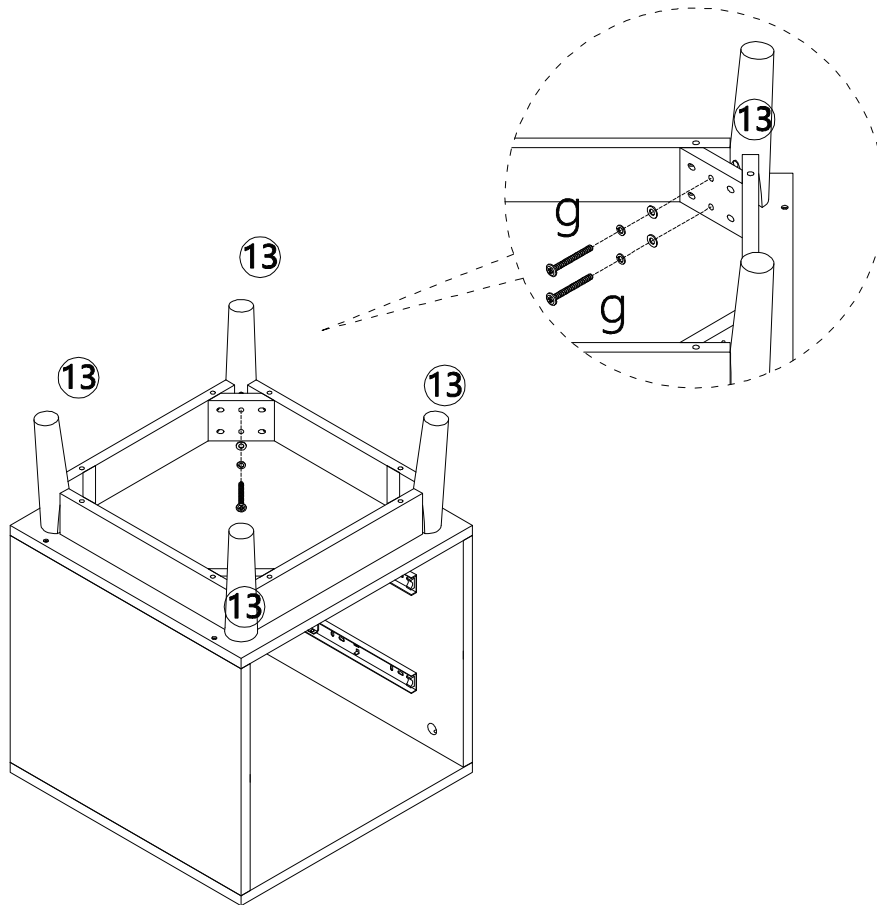
STEP 7

 x16

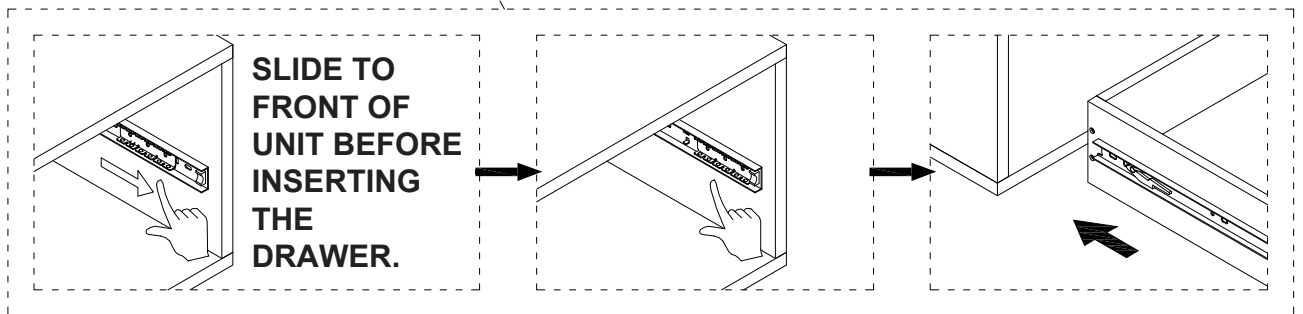
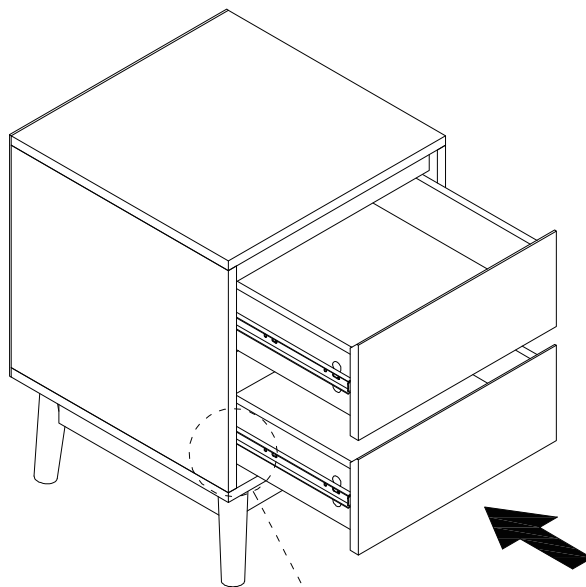


STEP 8


• • x 8

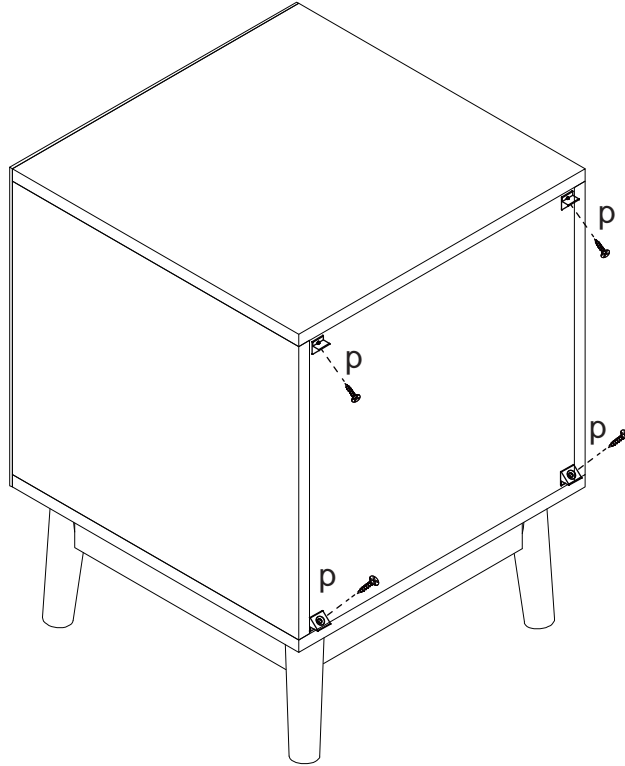


STEP 9

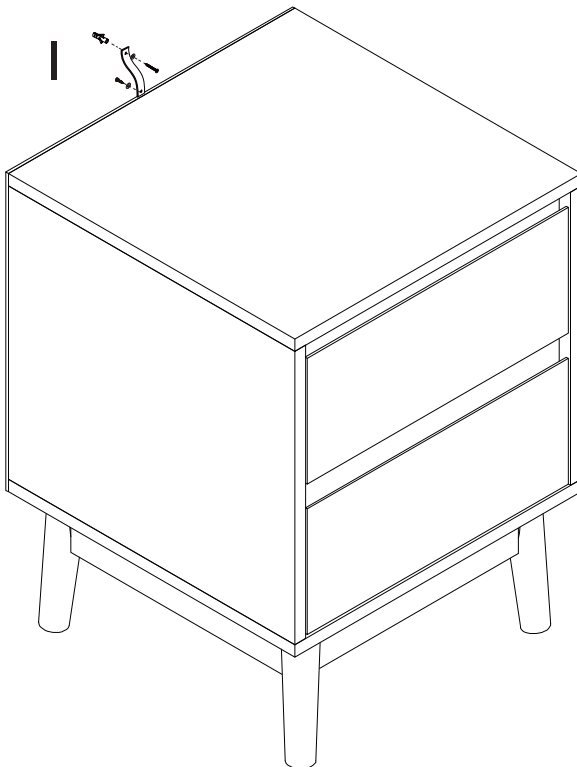


STEP 10

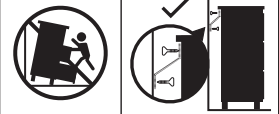
 x 4



STEP 11



▲ WARNING



Children have died from furniture tipover.

- ALWAYS secure it with an anchor device.
- NEVER allow children to stand, climb or hang on drawers, doors, or shelves.
- NEVER open more than one drawer at a time.
- Place heavy items down low.
- Furniture type is at risk of toppling over.

NEVER put a TV on this furniture



This is a permanent label. Do not remove!

TOPPLING FURNITURE WARNING:

- **ALWAYS** secure it with an anchor device
- Please seek professional advice if you are in doubt of what fixing device to use.
- Regularly check that anchors are securely maintained.
- Use safety drawer locks to prevent children climbing.
- Stability of tall items may be affected by thick pile carpet or uneven floors .
- Do not place unanchored televisions on furniture .

CAUTION: for your safety when attaching the anchor fixings, please note the following:

- Check any electrical wires or plumbing inside the wall before drilling any holes (if you are unsure please seek professional advice from a qualified tradesperson).



TOPPLING HAZARD

WARNING: PLEASE SECURE YOUR FURNITURE WITH THE SUPPLIED WALL FIXING. SCAN THE CODE FOR MORE INFORMATION.

