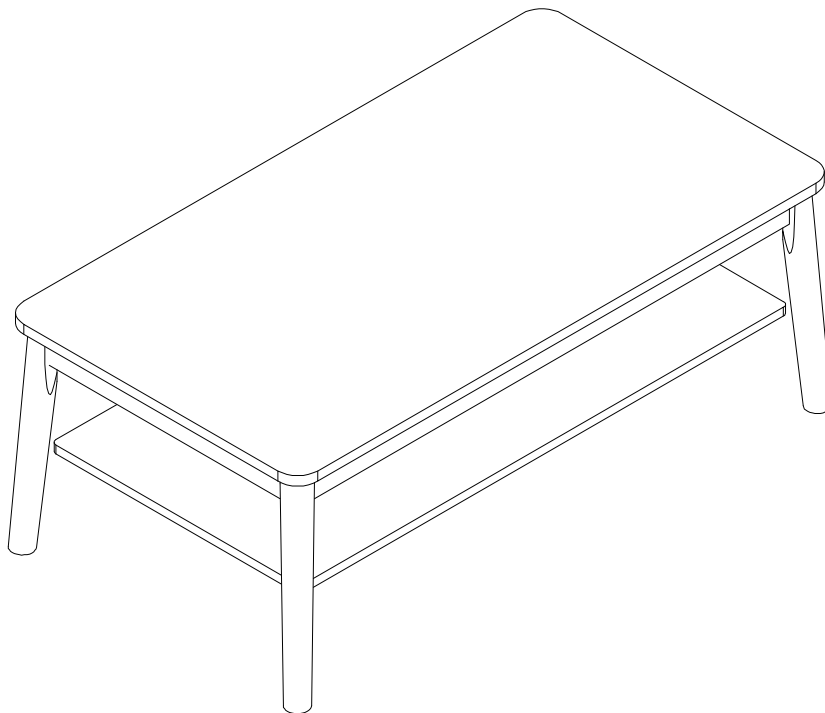




THORNE COFFEE TABLE

Instruction Manual



The photos and illustrations shown in this instruction manual are generic.
The manufacturer reserves the right to change any specification or feature without prior notice.

IMPORTANT: KEEP FOR FUTURE REFERENCE. READ CAREFULLY.

Assembly Instructions

43683369 THORNE COFFEE TABLE

CARE INSTRUCTIONS:


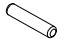



WIPE CLEAN WITH A DRY CLOTH. NOT USE ABRASIVE MATERIALS AND SOLVENTS. CHECK AND TIGHTEN ALL PARTS REGULARLY. KEEP AWAY FROM WATER AND DIRECT SUNLIGHT. STORE IN A DRY PLACE. FOR DOMESTIC USE ONLY. FOR INDOOR USE ONLY. A MILD ODOUR MAY BE PRESENT WHEN FIRST OPENING THIS CARTON. SIMPLY ALLOW TO AIR OUTSIDE AND THIS WILL FADE.

WARNING:

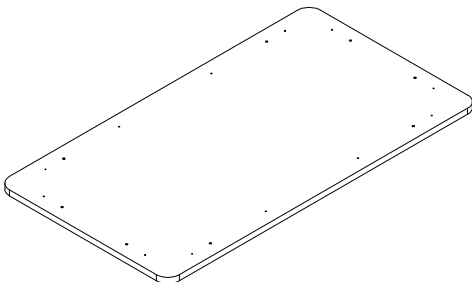
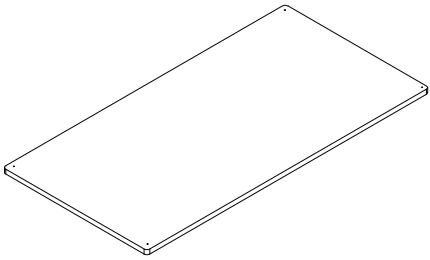
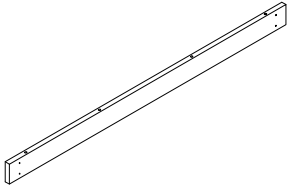
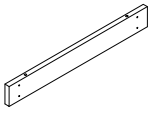

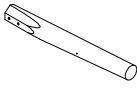
DO NOT STAND OR SIT ON THIS UNIT. DO NOT USE THIS UNIT UNLESS ALL BOLTS AND SCREWS ARE FIRMLY SECURED. DO NOT KNOCK OR DRAG THIS UNIT. USE ONLY ON A FLAT SURFACE. ADULT ASSEMBLY REQUIRED. FAILURE TO FOLLOW THESE WARNING COULD RESULT IN SERIOUS INJURY. LOAD DRAWER EVENLY TO PREVENT FROM TIPPING OVER. THIS PACKAGE CONTAINS SMALL PARTS AND SHARP POINTS. KEEP AWAY FROM CHILDREN AND BABIES.

MAXIMUM SAFE LOAD: 30KG FOR TOP PANEL, 10KG FOR SHELF.

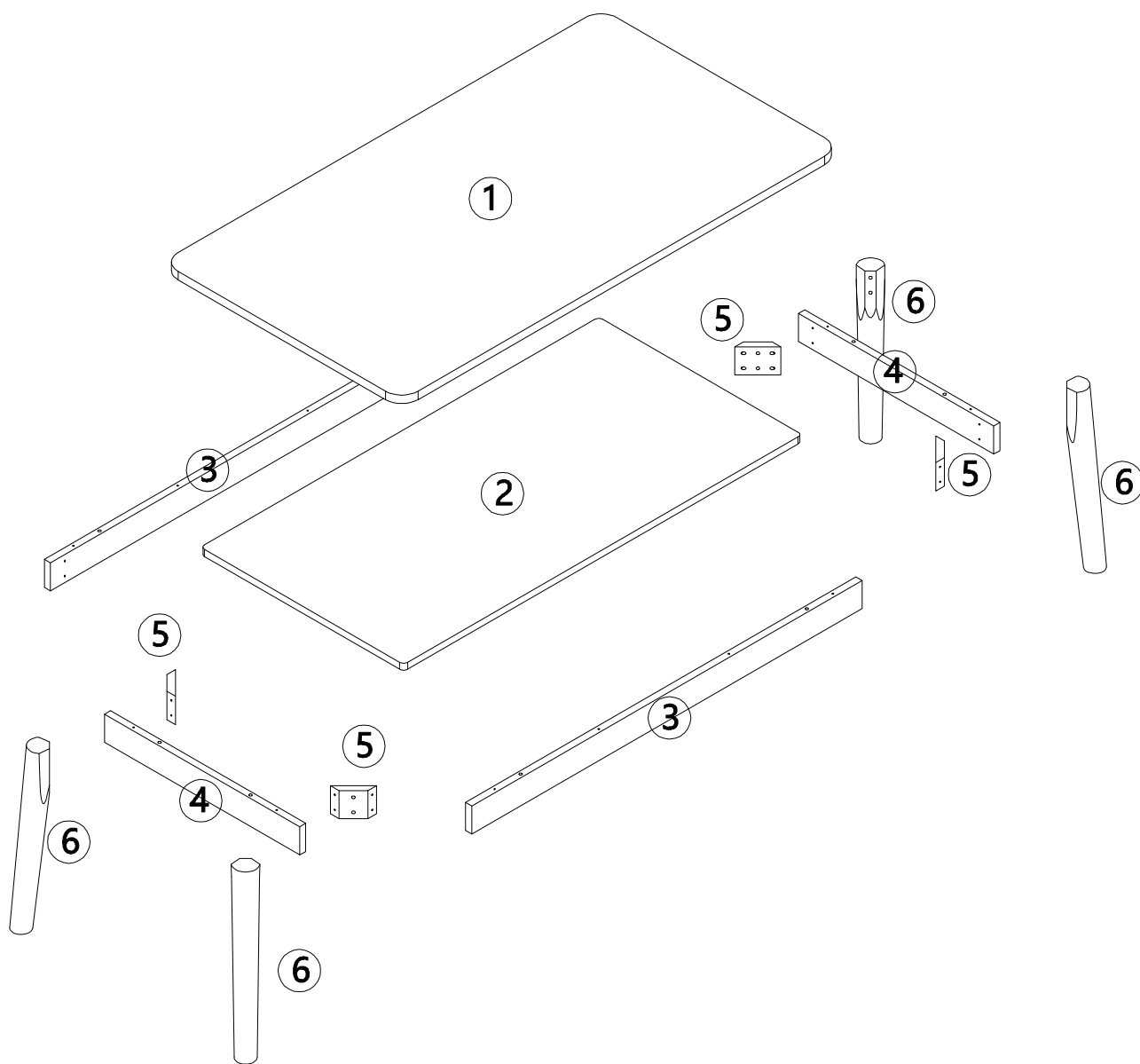
1 Hardware List

| | | | | | | | | | | | |
|---|---|--------|-------|---|---|--------|------|---|---|--------|-------|
| a |  | 4x55mm | 12pcs | b |  | 6x30mm | 8pcs | c |  | 4x25mm | 16pcs |
| d |  | 6x55mm | 8pcs | e |  | | 4pcs | | | | |

2 Parts List

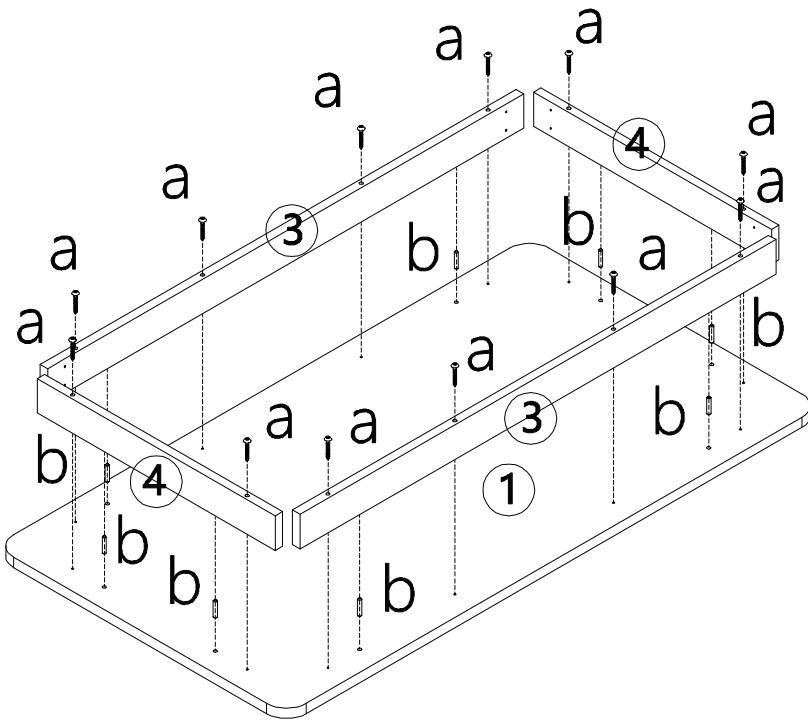
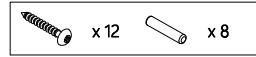
| | | | |
|---|------|--|------|
|  | |  | |
| ① | 1PC | ② | 1PC |
|  | |  | |
| ③ | 2PCS | ④ | 2PCS |
|  | |  | |
| ⑤ | 4PCS | ⑥ | 4PCS |

PANEL LAYOUT

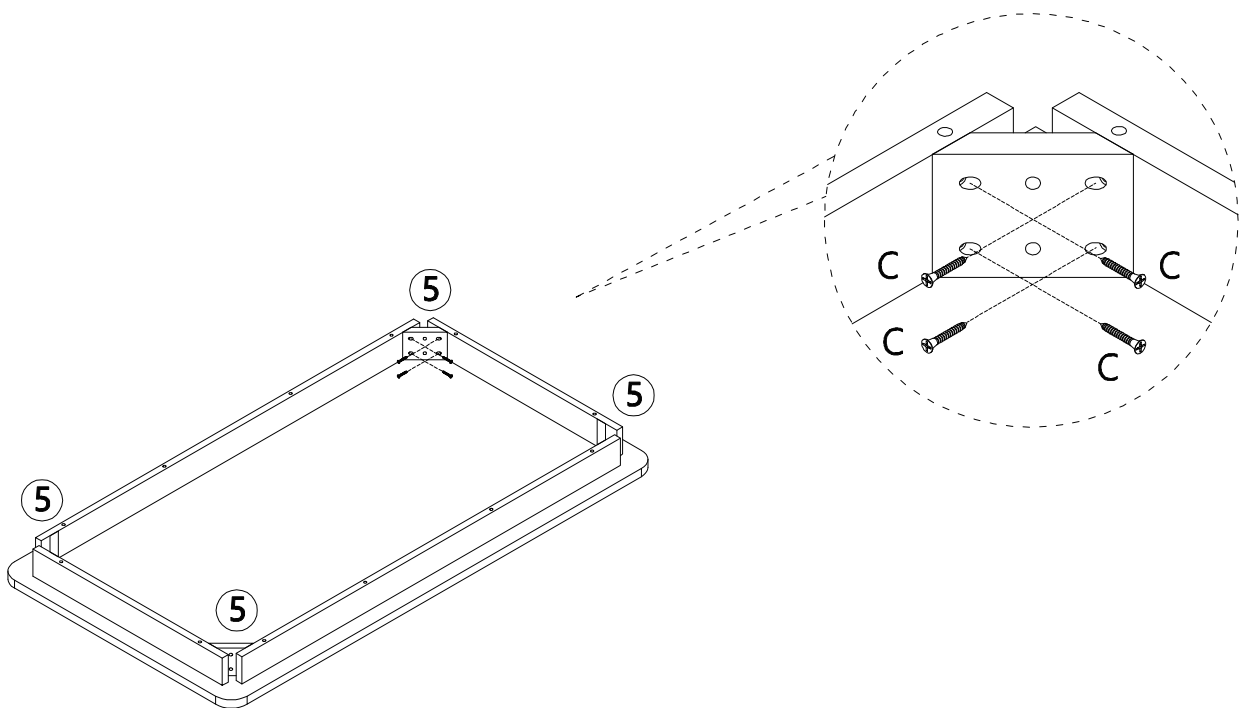
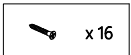


Do not tighten the screws fully during assembly.
Fully tighten screws after the final assembly steps.

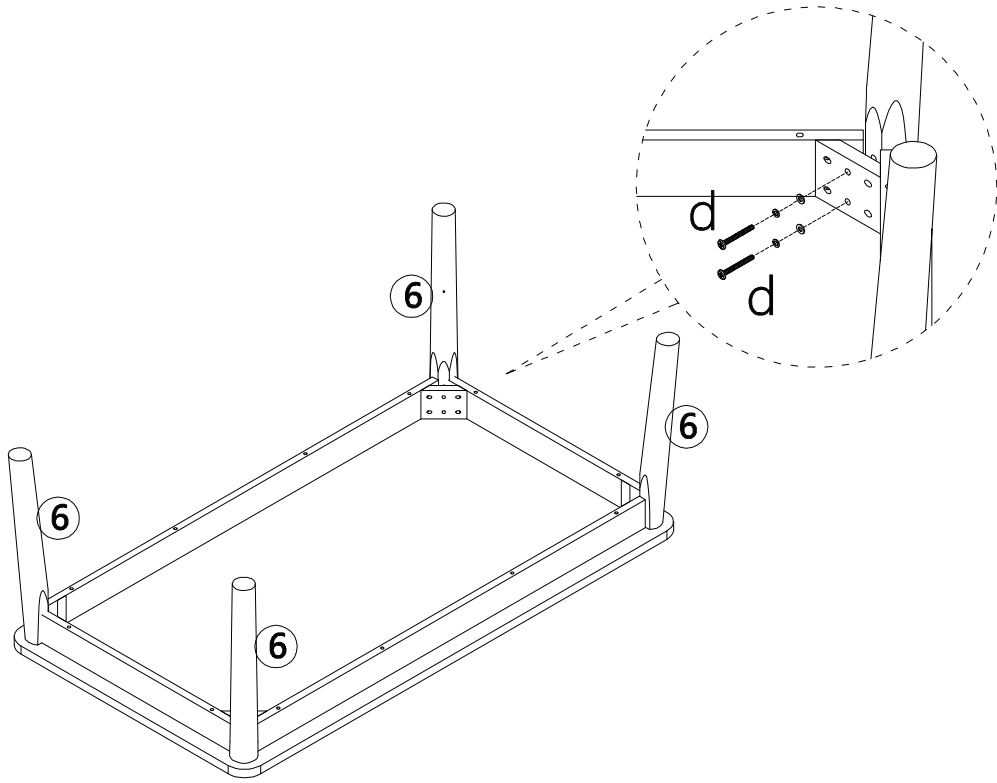
STEP 1



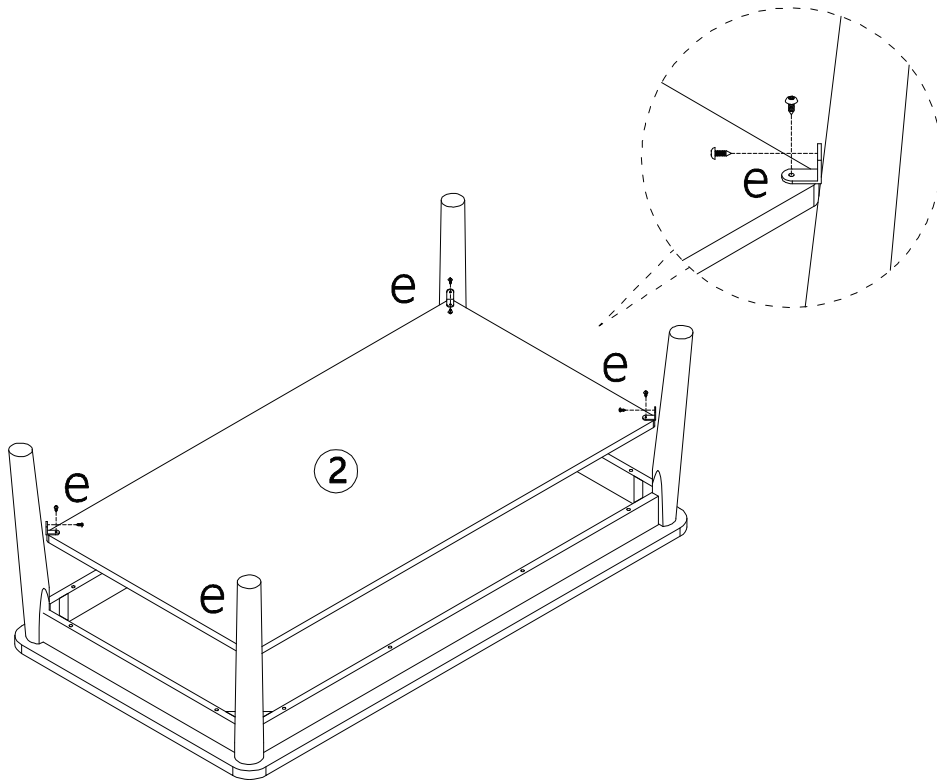
STEP 2



STEP 3



STEP 4



Notes: Screw Part 6 firstly, then screw Part 2.

STEP 5

