

# THORNE DINING TABLE

## Instruction Manual



The photos and illustrations shown in this instruction manual are generic.  
The manufacturer reserves the right to change any specification or feature without prior notice.

**IMPORTANT: KEEP FOR FUTURE REFERENCE. READ CAREFULLY.**

# Assembly Instructions

43683345 / 43683353 THORNE DINING TABLE

## CARE INSTRUCTIONS:







WIPE CLEAN WITH A SOFT DAMP CLOTH. DO NOT USE ABRASIVE MATERIALS AND SOLVENTS. CHECK AND TIGHTEN ALL PARTS REGULARLY. KEEP AWAY FROM WATER AND DIRECT SUNLIGHT. STORE IN A DRY PLACE. FOR DOMESTIC USE ONLY. FOR INDOOR USE ONLY. A MILD ODOUR MAY BE PRESENT WHEN FIRST OPENING THIS CARTON. SIMPLY ALLOW TO AIR OUTSIDE AND THIS WILL FADE.

## WARNING:

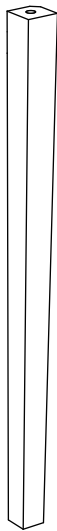
DO NOT STAND OR SIT ON THIS UNIT. DO NOT USE THIS UNIT UNLESS ALL BOLTS AND SCREWS ARE FIRMLY SECURED. DO NOT KNOCK OR DRAG THIS UNIT. USE ONLY ON A FLAT SURFACE. ADULT ASSEMBLY REQUIRED. FAILURE TO FOLLOW THESE WARNING COULD RESULT IN SERIOUS INJURY. THIS PACKAGE CONTAINS SMALL PARTS AND SHARP POINTS. KEEP AWAY FROM CHILDREN AND BABIES.

**MAXIMUM SAFE LOAD: 50KG.**

## 1 Hardware List

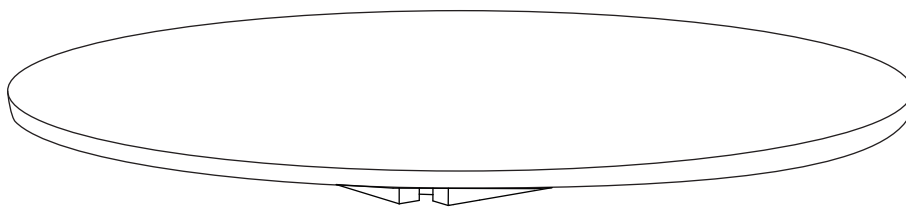
a		8PCS	b		8PCS	c		8PCS
d		4PCS	e		4PCS	f		1PC

## 2 Parts List



②

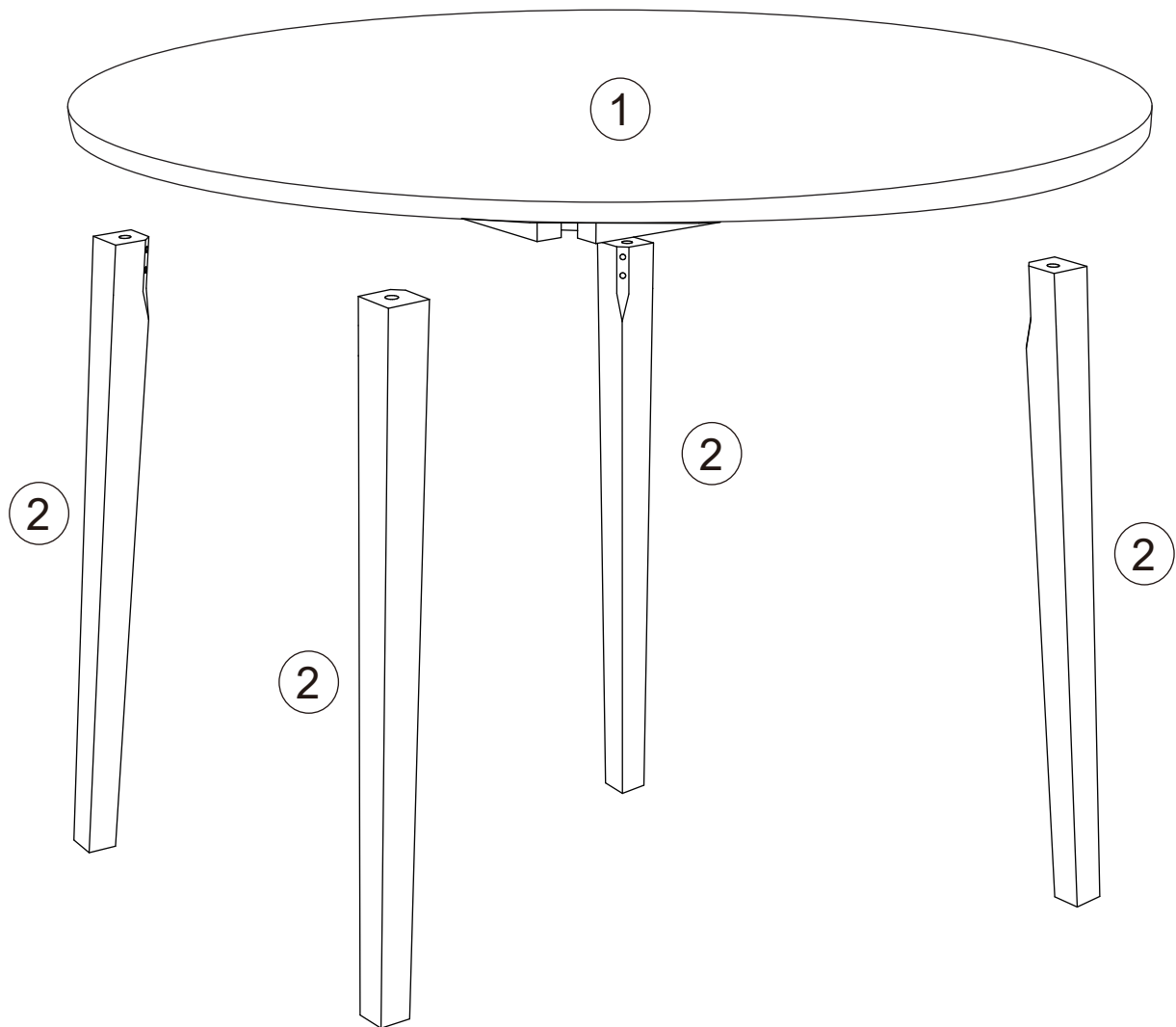
4PCS



①

1PC

# PANEL LAYOUT

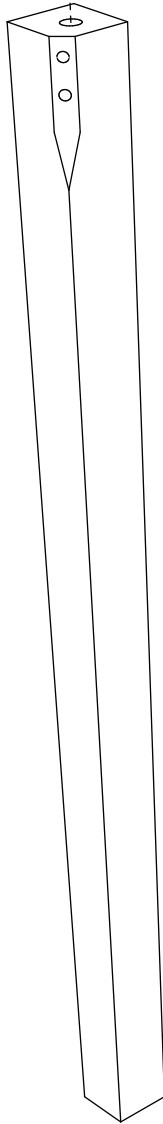
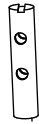


Do not tighten the screws fully during assembly.  
Fully tighten screws after the final assembly steps.

STEP 1



D

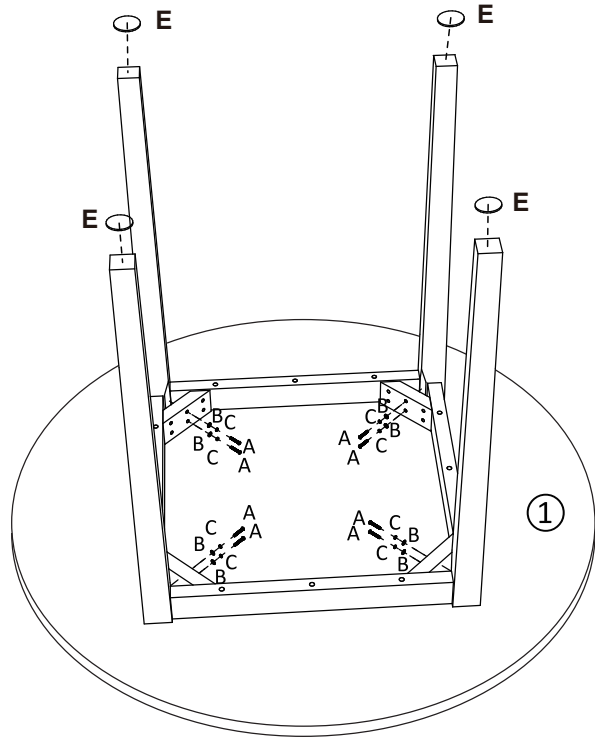
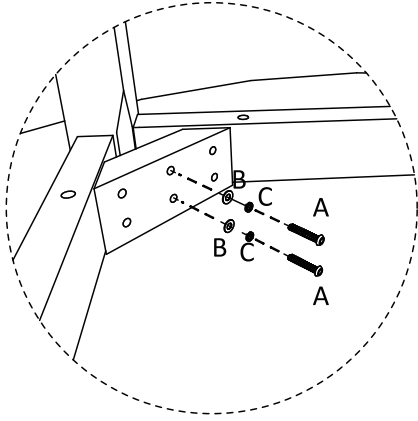


②

X4

# STEP 2

 Ax8  Bx8  Cx8  EX4



# STEP 3

