

# CAMILLE 6 DRAWER CHEST

## Instruction Manual



The photos and illustrations shown in this instruction manual are generic.  
The manufacturer reserves the right to change any specification or feature without prior notice.

**IMPORTANT: KEEP FOR FUTURE REFERENCE. READ CAREFULLY.**

# Assembly Instructions

43684281/43683321/43636181

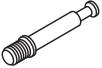












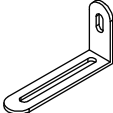







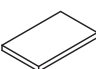
## CAMILLE 6 DRAWER CHEST

**CARE INSTRUCTIONS:** WIPE CLEAN WITH A SOFT DAMP CLOTH. NEVER USE SCOURERS, ABRASIVES OR CHEMICAL SOLVENTS. KEEP AWAY FROM MOISTURE AND DIRECT SUNLIGHT. STORE IN A DRY PLACE. FOR INDOOR USE ONLY.

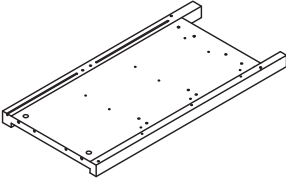
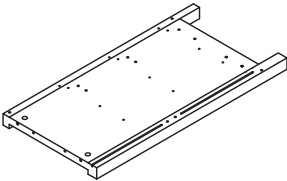
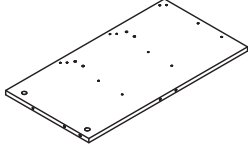
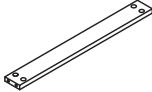
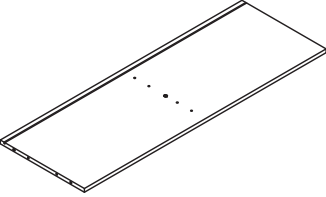
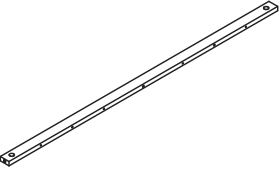

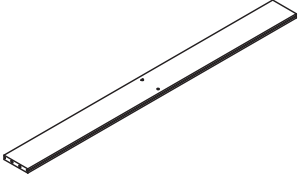
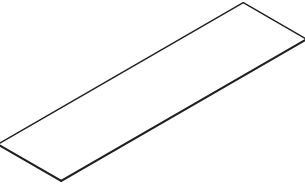
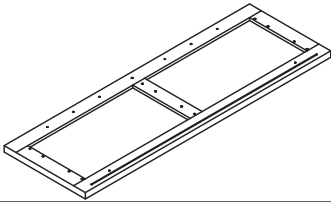
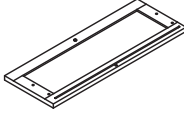
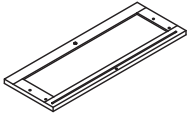
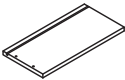
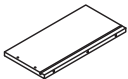

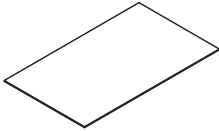
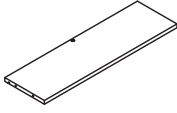
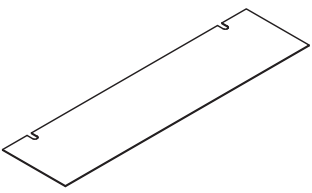
**WARNING:** DO NOT STAND, SIT OR LEAN ON THE UNIT. DO NOT USE THIS UNIT AS A STEP LADDER. ENSURE THIS UNIT IS USED ONLY ON A FLAT SURFACE. DO NOT USE THIS UNIT UNLESS ALL BOLTS AND SCREWS ARE FIRMLY SECURED. DO NOT PLACE HOT OBJECTS SUCH AS COFFEE CUPS DIRECTLY ON THE SURFACE OF THIS FURNITURE ITEM. THIS ITEM IS FOR STORAGE PURPOSES ONLY. CONTAINS SMALL PARTS. IT IS TO BE ASSEMBLED BY AN ADULT. FAILURE TO FOLLOW THESE WARNINGS COULD RESULT IN SERIOUS INJURY.

**MAXIMUM SAFE LOAD: 25KG FOR TOP, 7KG FOR DRAWER.**

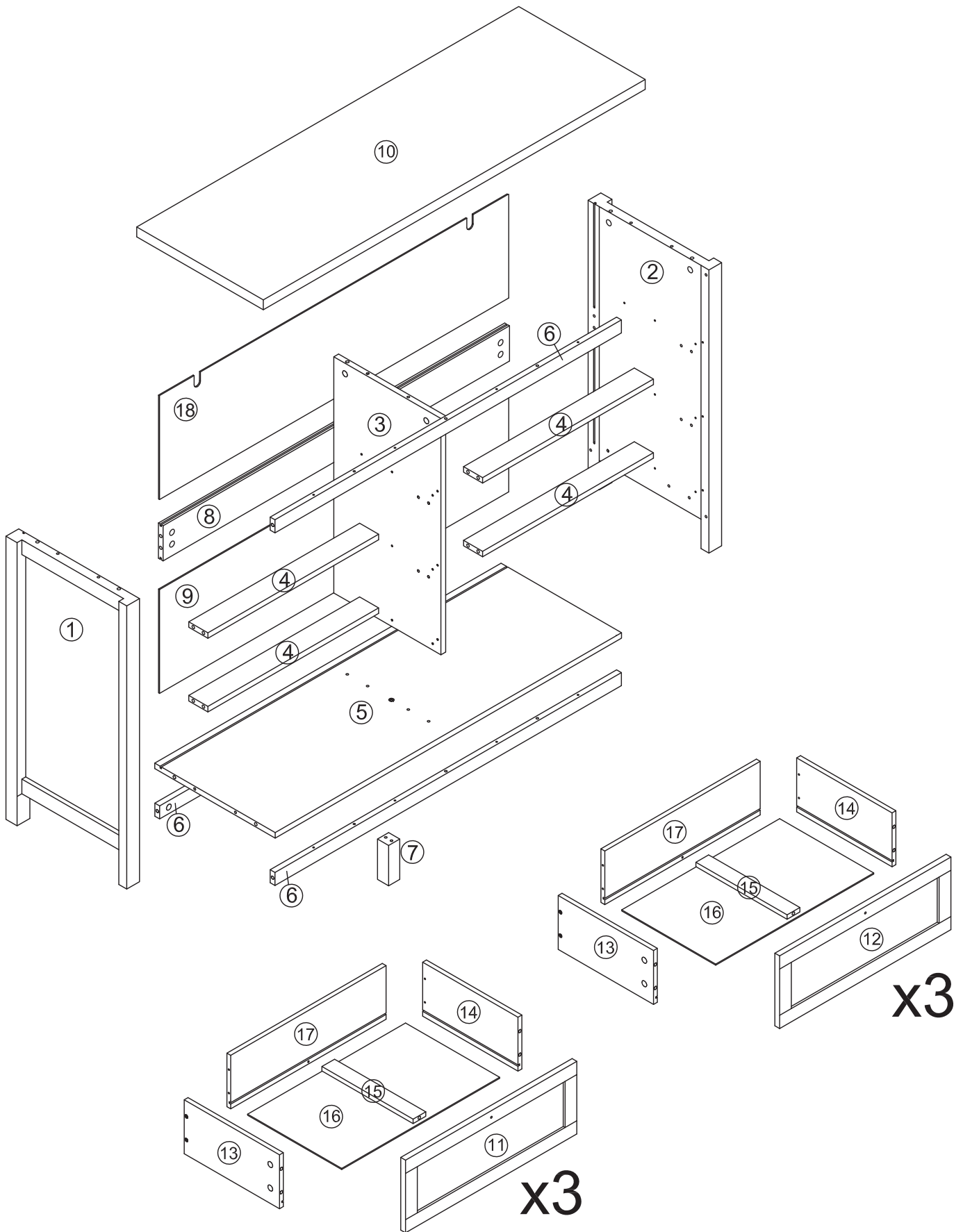
### 1 Hardware List

A		6x35mm	66pcs	B		15x10mm	66pcs	C		6x30mm	22pcs	D		3.5x12mm	84pcs
E		4x40mm	12pcs	F		7x40mm	5pcs	G			1pc	H		4x30mm	30pcs
I		4x25mm	6pcs	J			6pcs	K		3x14mm	8pcs	L			8pcs
M							2pcs	N		M4	1pc	CL			6pcs
CR			6pcs	DL			6pcs	DR			6pcs	O			4pcs

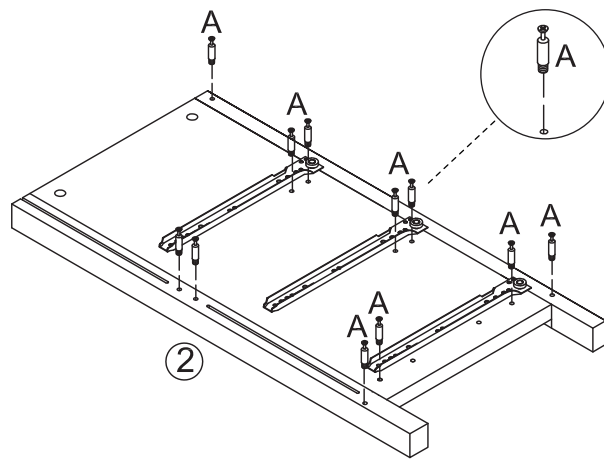
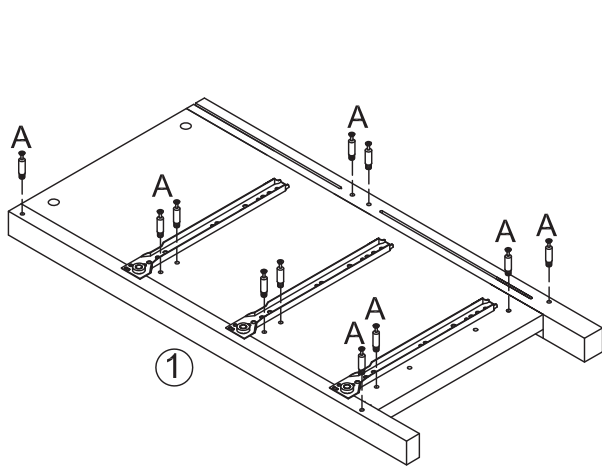
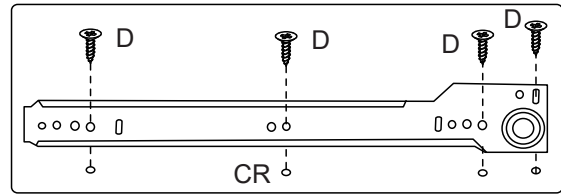
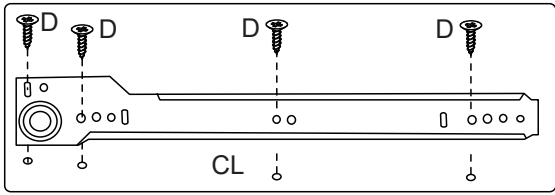
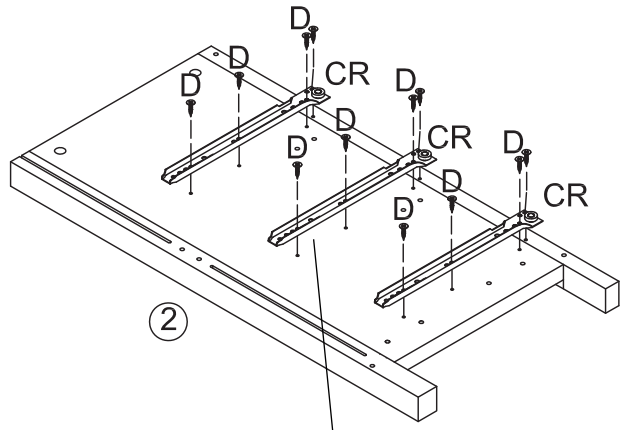
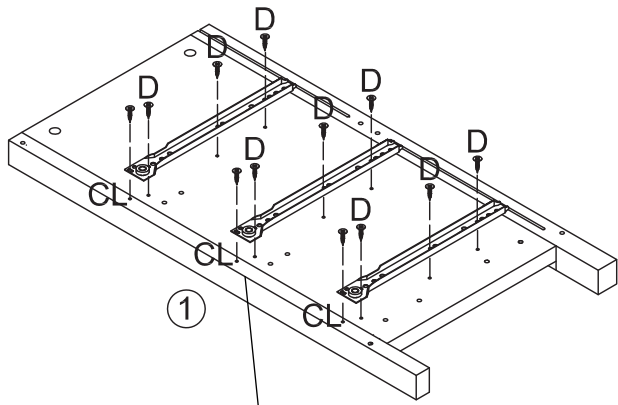
## 2 Parts List


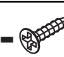


			
① 1pc	② 1pc	③ 1pc	④ 4pcs
			
⑤ 1pc	⑥ 3pcs	⑦ 1pc	⑧ 1pc
			
⑨ 1pc	⑩ 1pc	⑪ 3pcs	⑫ 3pcs
			
⑬ 6pcs	⑭ 6pcs	⑮ 6pcs	⑯ 6pcs
			
⑰ 6pcs	⑱ 1pc		

# PANEL LAYOUT

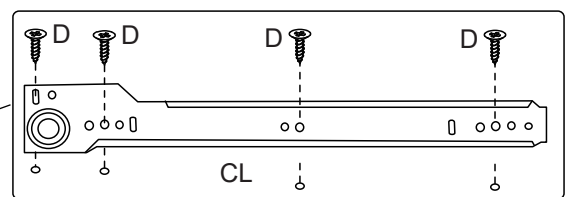
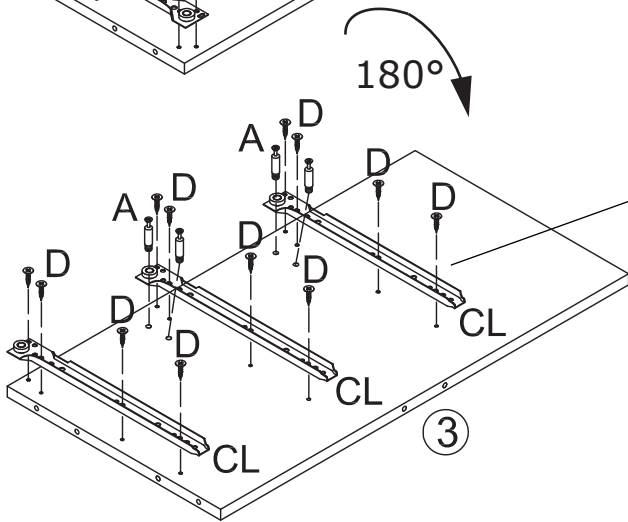
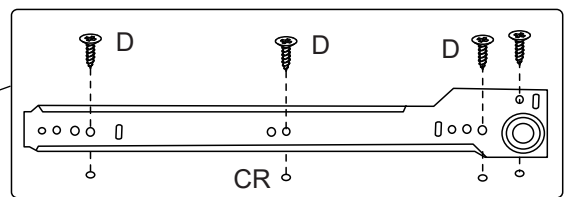
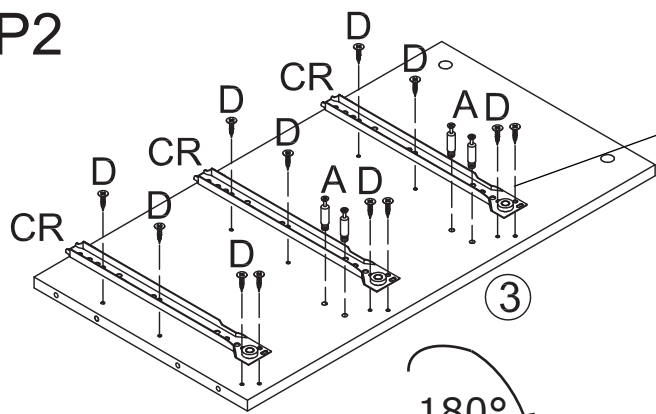






# STEP 1



- A -  × 22
- D -  × 24
- CL -  × 3
- CR -  × 3

# STEP 2

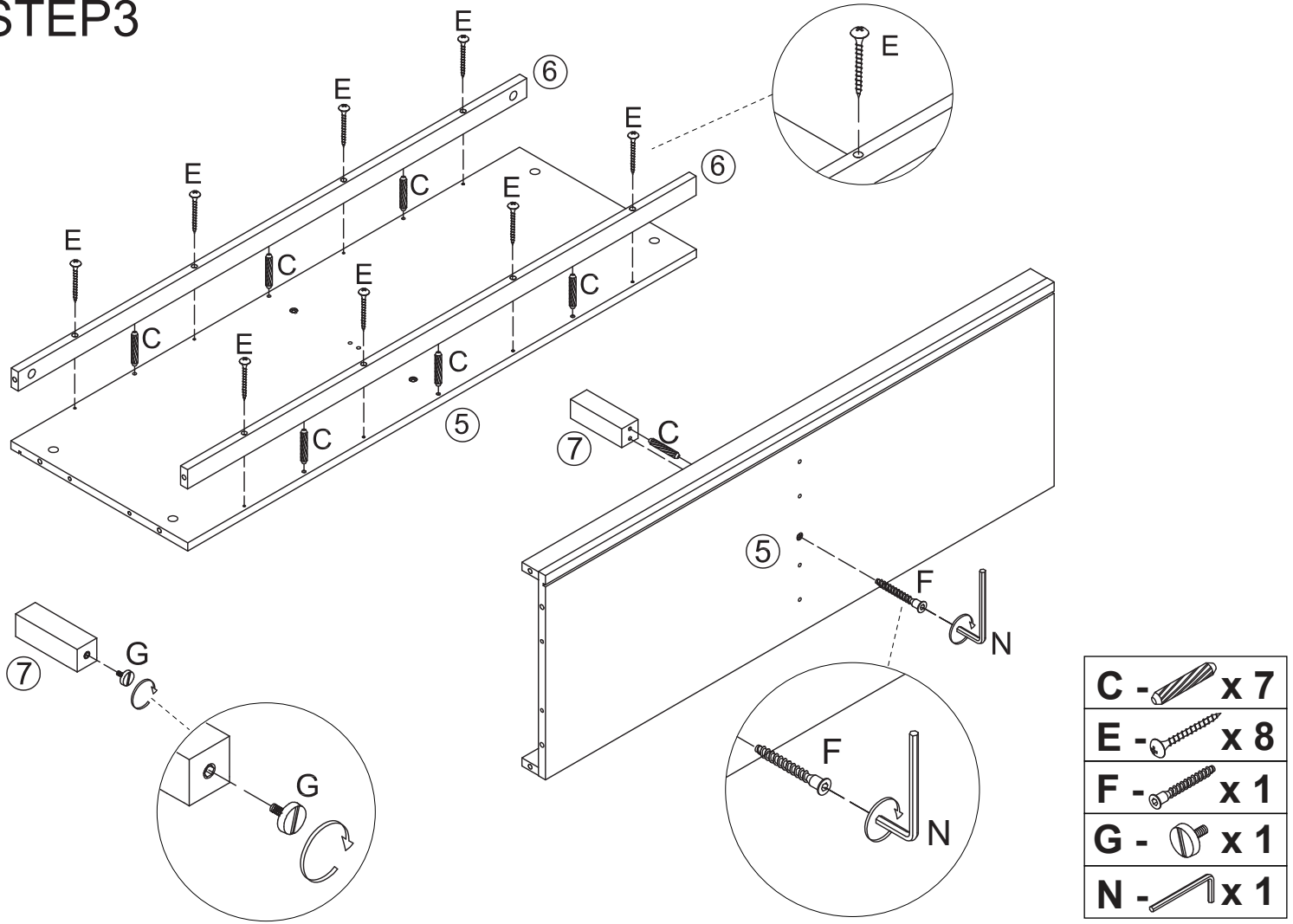


- A -  × 8
- D -  × 24
- CL -  × 3
- CR -  × 3

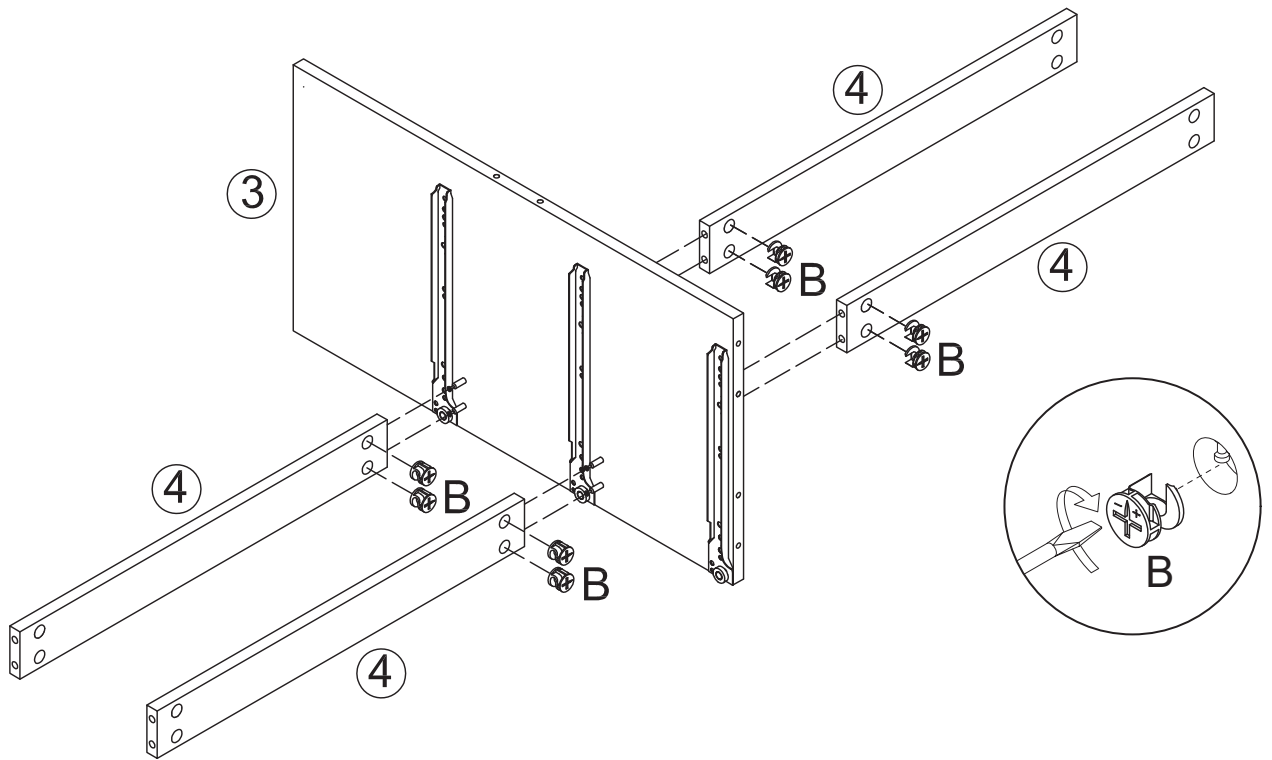


2-PERSON ASSEMBLY

# STEP 3

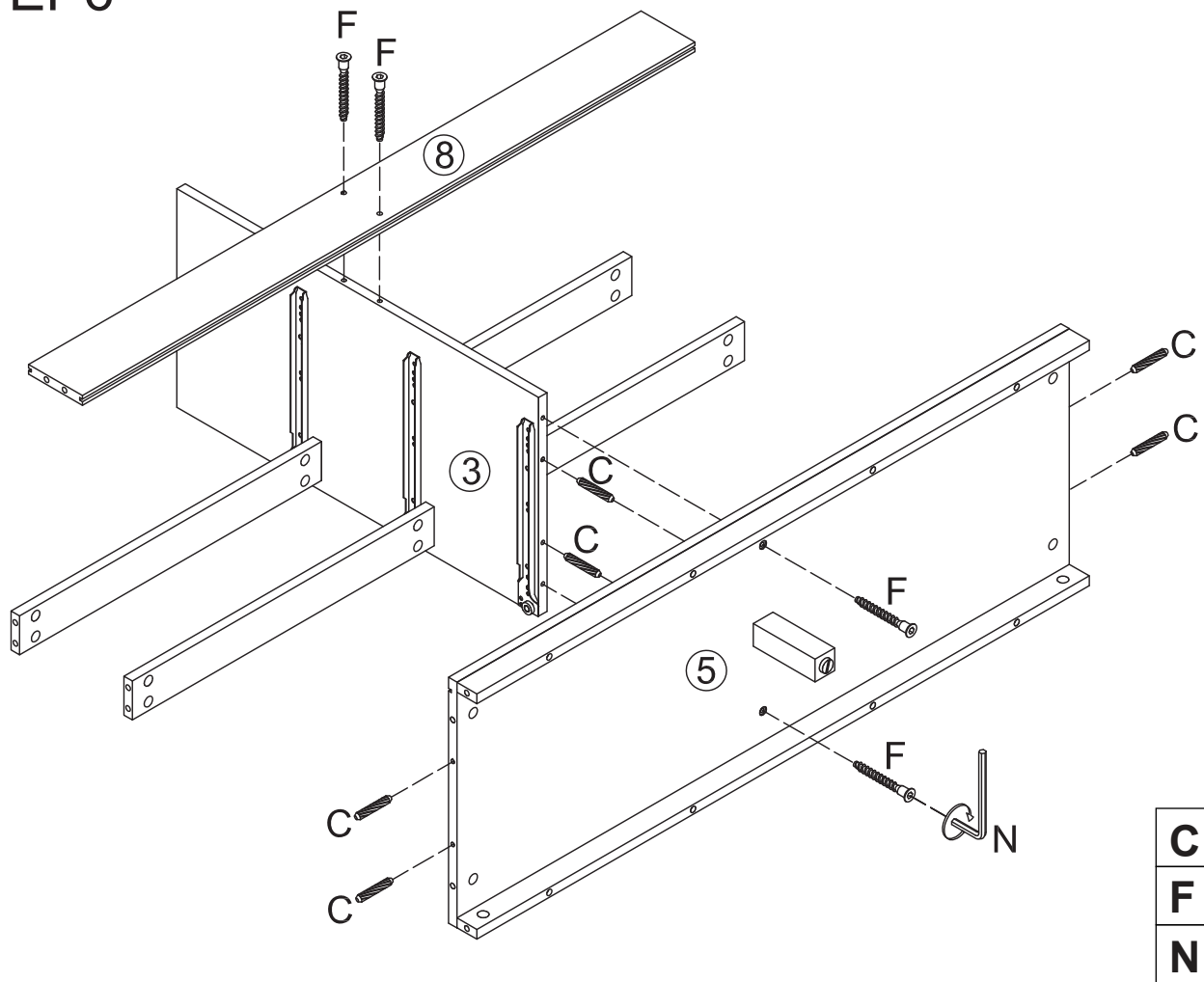


# STEP 4

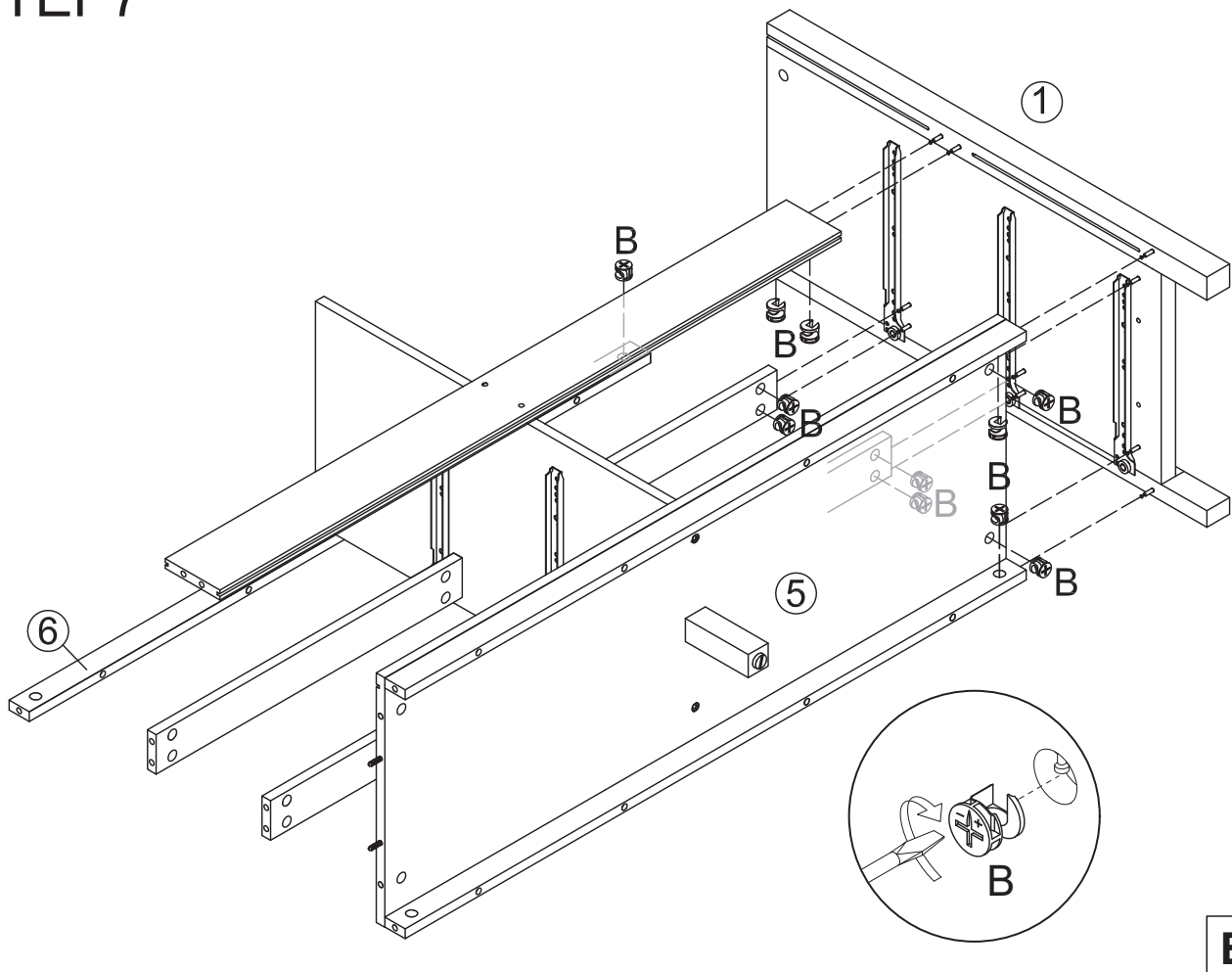


**B** - x 8

# STEP 6

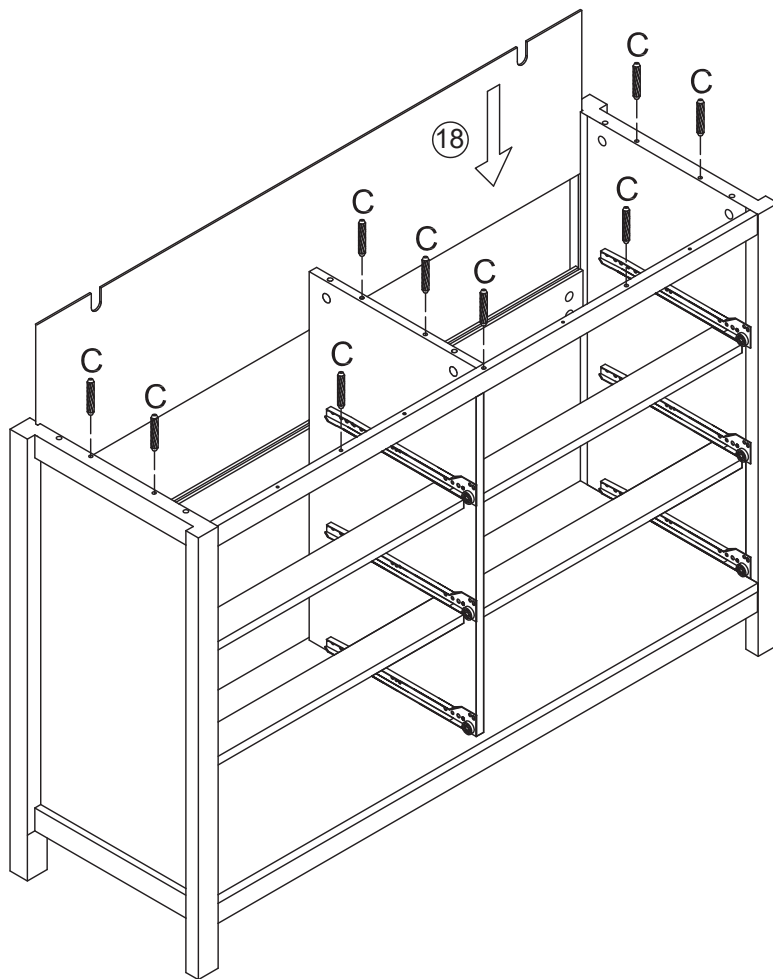


# STEP 7



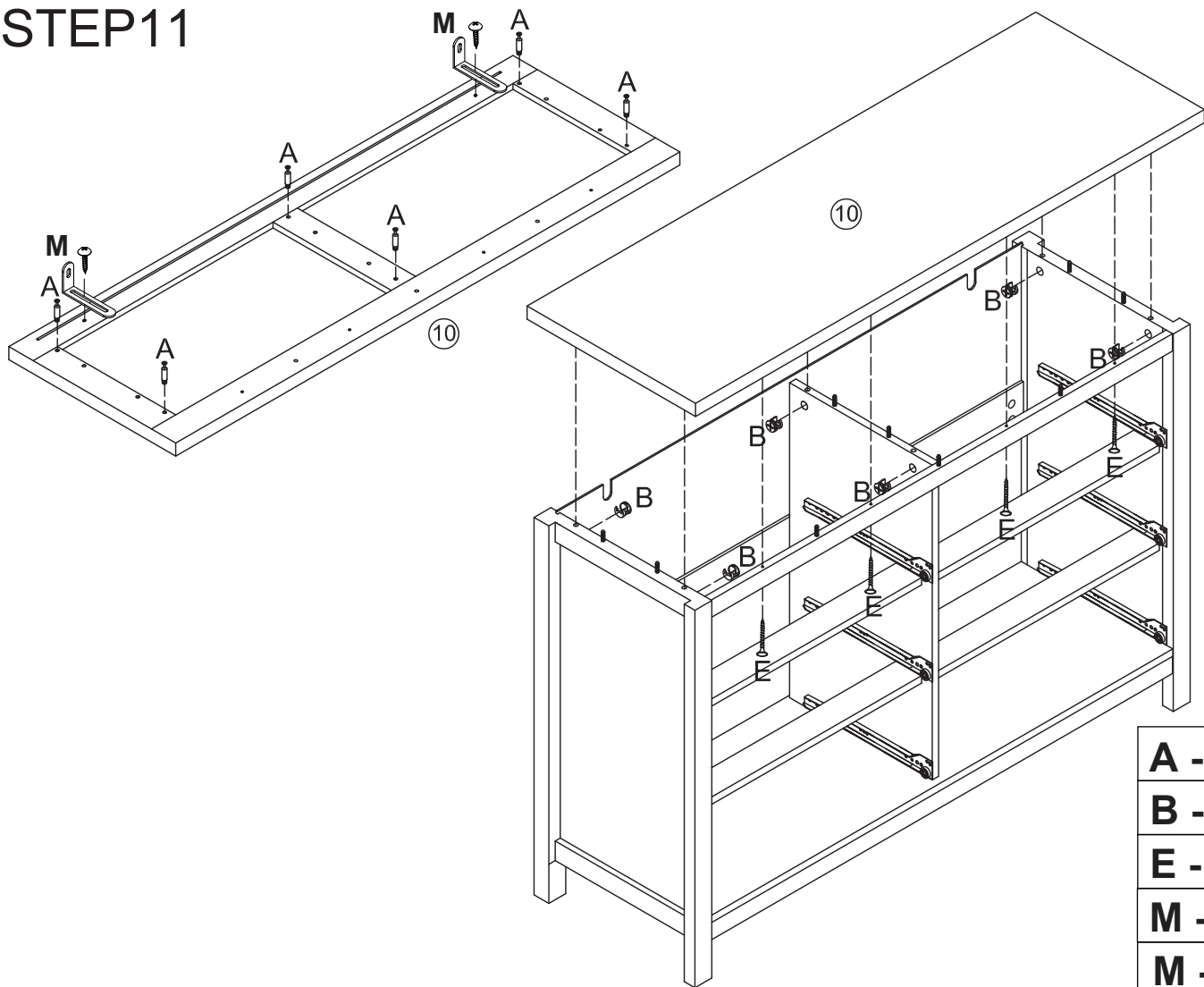






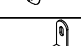
# STEP 10



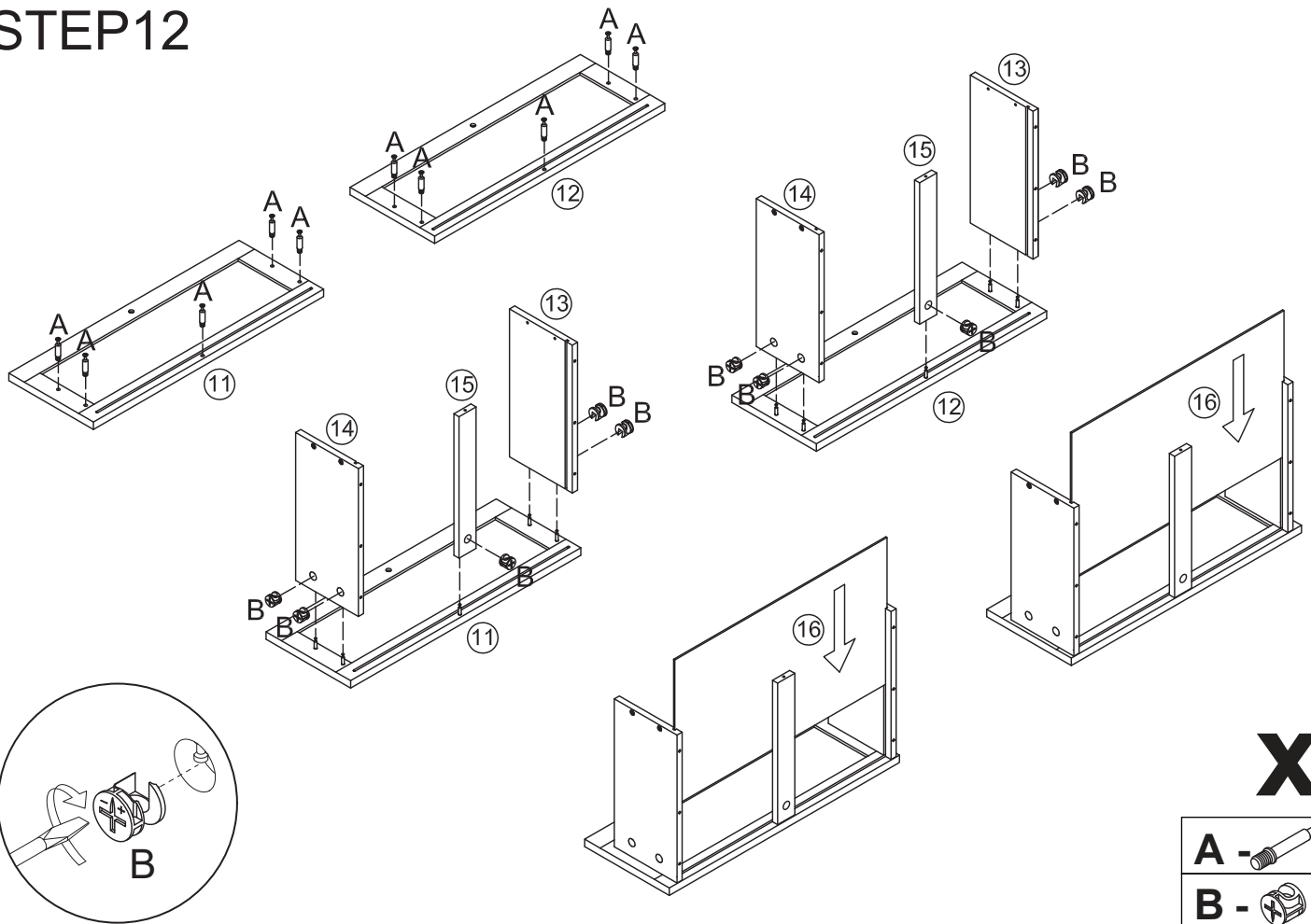
C -  x 9

# STEP 11





A -  x 6  
 B -  x 6  
 E -  x 4  
 M -  x 2  
 M -  x 2

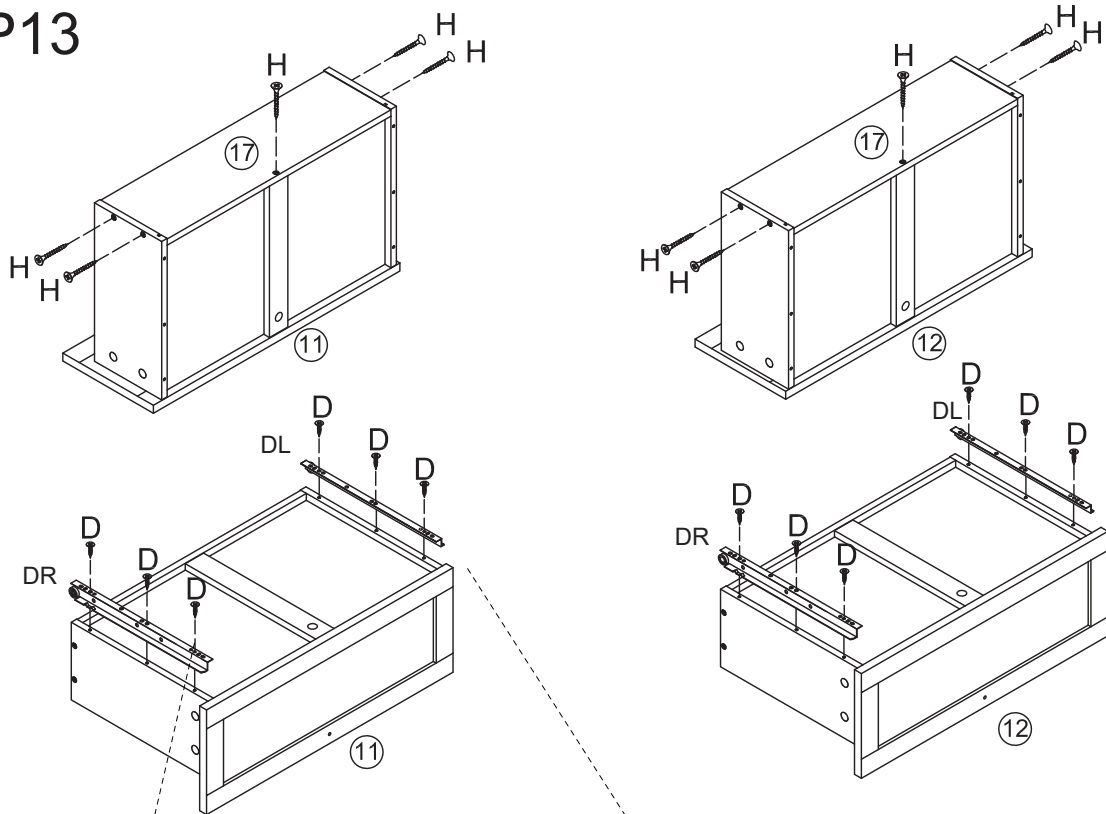
# STEP 12



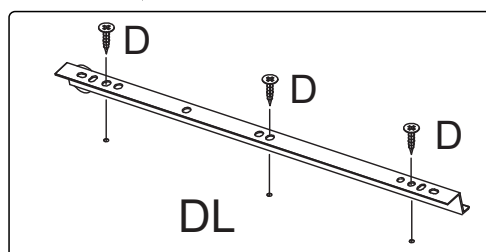
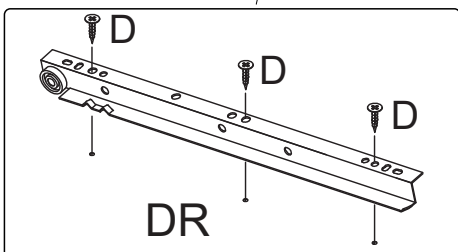
**x3**

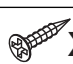
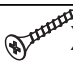


- |     |  |      |
|-----|--|------|
| A - |   | x 30 |
| B - |  | x 30 |

# STEP 13

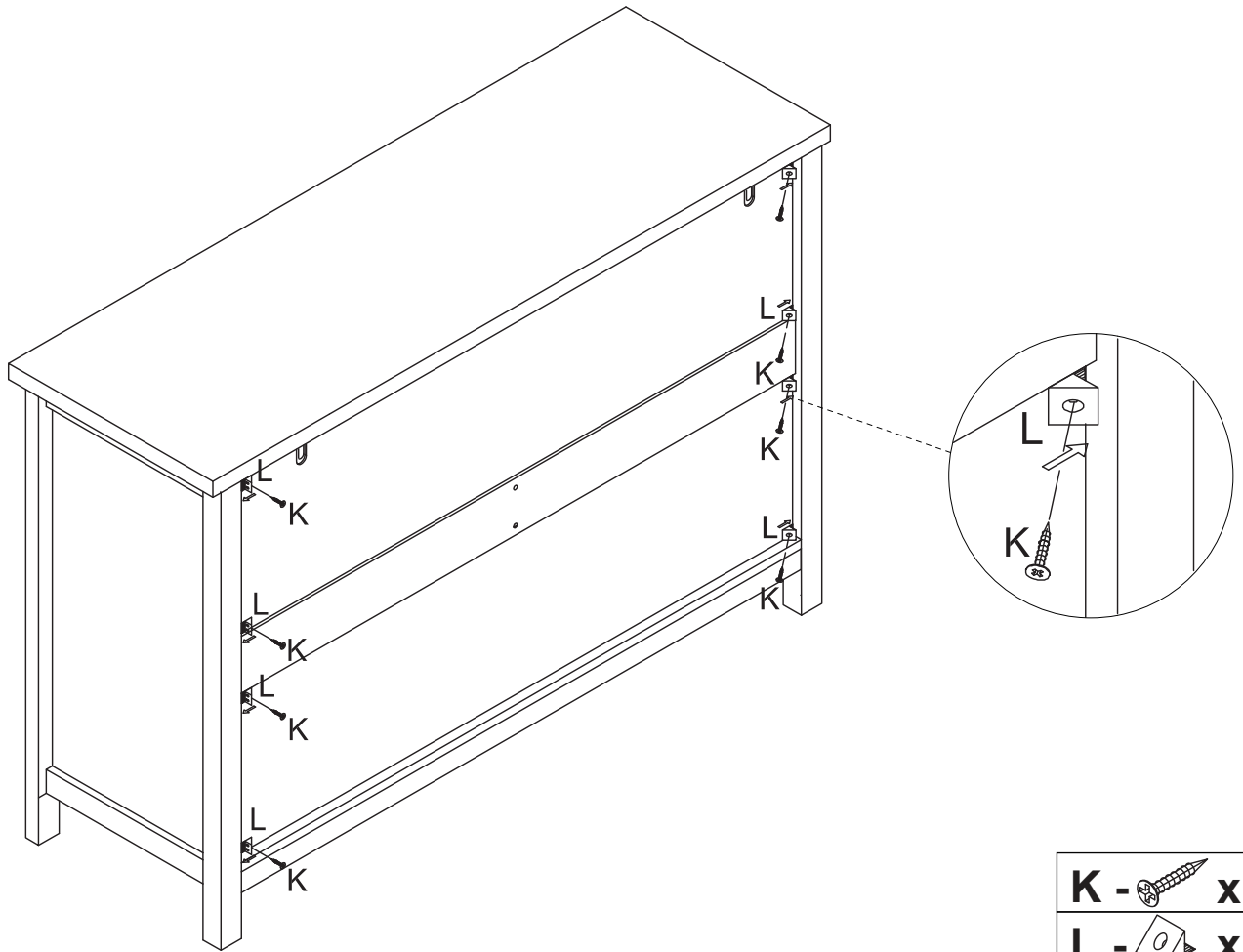


**x3**

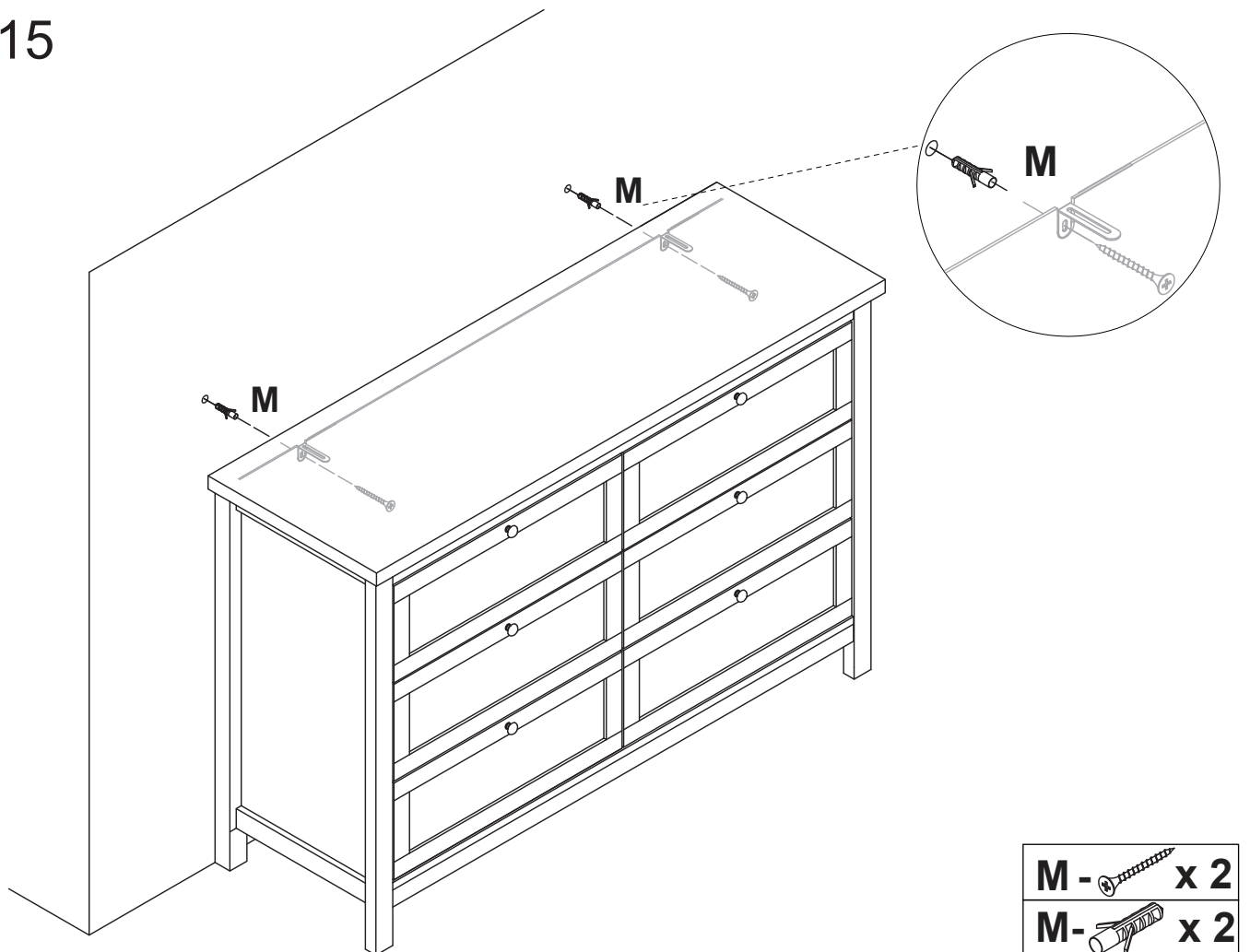


- |      |   |      |
|------|---|------|
| D -  |  | x 36 |
| H -  |  | x 30 |
| DL - |  | x 6  |
| DR - |  | x 6  |

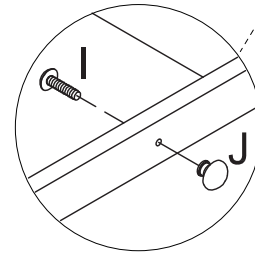
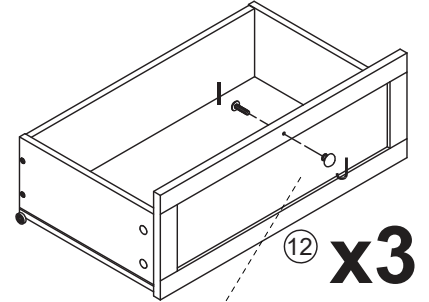
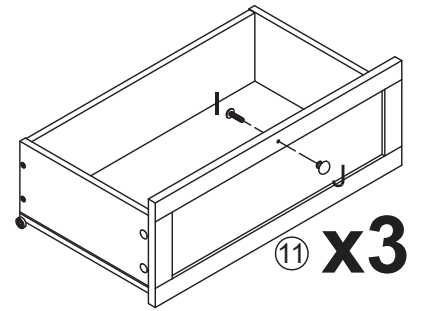
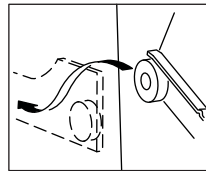
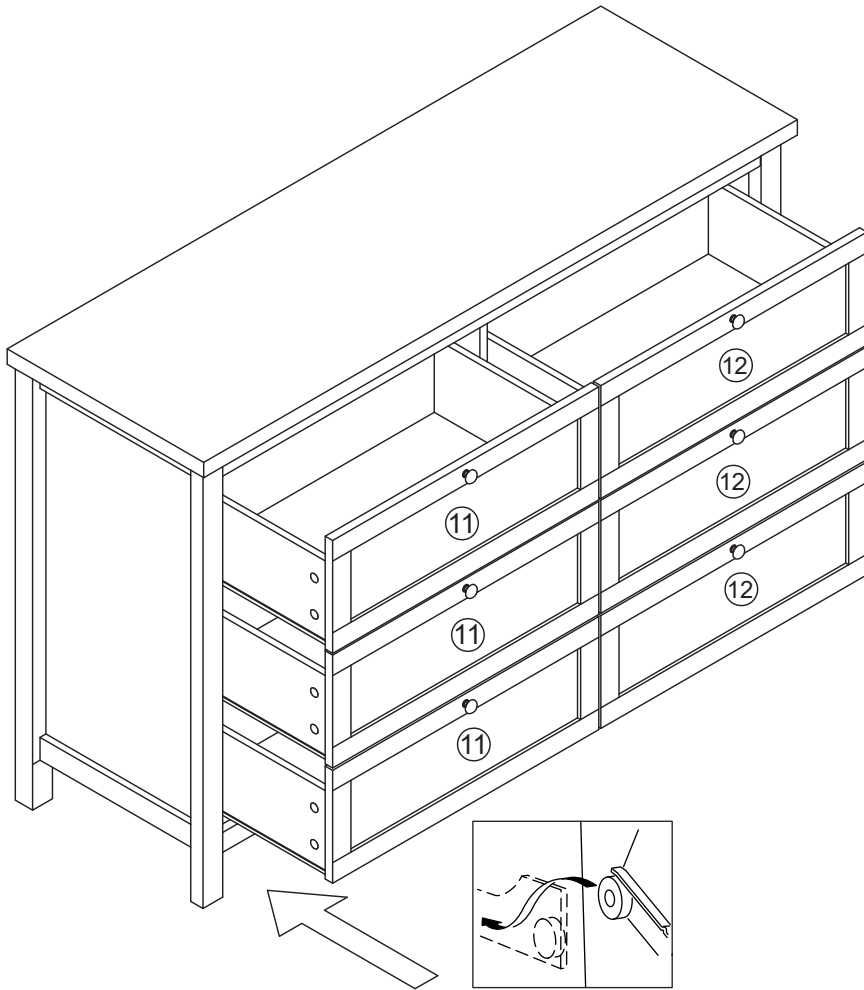
# STEP14



# STEP15

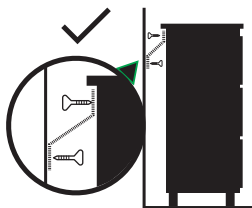


# STEP 16



I	-		x 6
J	-		x 6

## ⚠ WARNING



### Children have died from furniture tipover.

- ALWAYS secure it with an anchor device.
- NEVER allow children to stand, climb or hang on drawers, doors, or shelves.
- NEVER open more than one drawer at a time.
- Place heavy items down low.

NEVER put a TV on this furniture



This is a permanent label. Do not remove!

### TOPPLING FURNITURE WARNING:

- ALWAYS secure it with an anchor device.
- Please seek professional advice if you are in doubt of what fixing device to use.
- Regularly check that anchors are securely maintained.
- Use safety drawer locks to prevent children climbing.
- Stability of tall items may be affected by thick pile carpet or uneven floors .
- Do not place unanchored televisions on furniture .

**CAUTION:** for your safety when attaching the anchor fixings, please note the following:

- Check any electrical wires or plumbing inside the wall before drilling any holes (if you are unsure please seek professional advice from a qualified tradesperson).



TOPPLING HAZARD

WARNING: PLEASE SECURE YOUR FURNITURE WITH THE SUPPLIED WALL FIXING. SCAN THE CODE FOR MORE INFORMATION.

