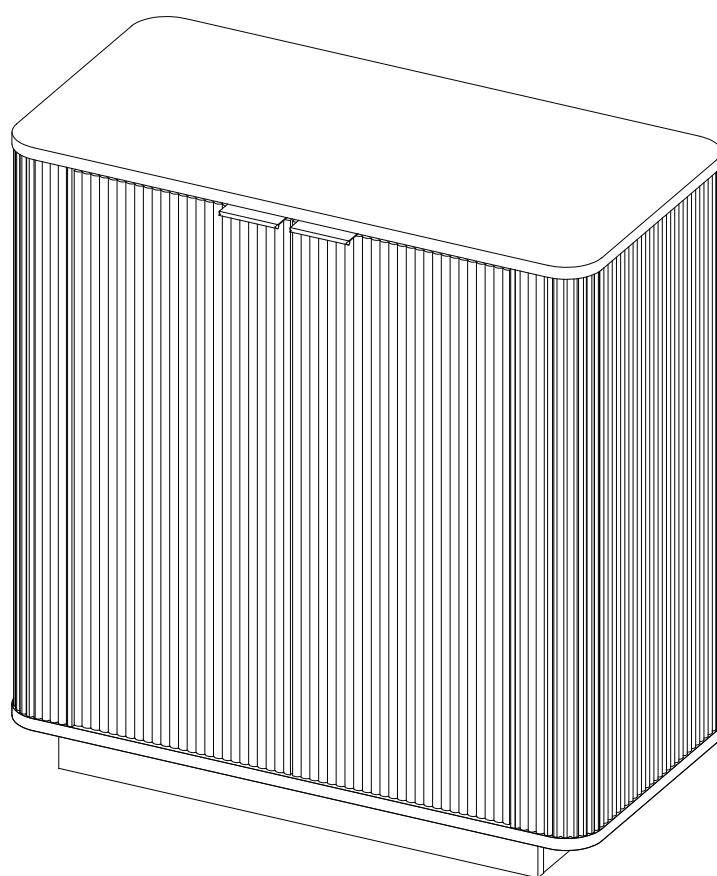




# CLAIRE 2 DOOR CABINET

## Instruction Manual



The photos and illustrations shown in this instruction manual are generic.  
The manufacturer reserves the right to change any specification or feature without prior notice.

**IMPORTANT: KEEP FOR FUTURE REFERENCE. READ CAREFULLY.**

# **Assembly Instructions**

**43635887/43683185/43683178**

## **CLAIRE 2 DOOR CABINET**

### **WARNING:**

DO NOT STAND, SIT OR LEAN ON THIS UNIT.

DO NOT USE THIS UNIT AS A STEP LADDER OR AS A CHOPPING SURFACE.

KEEP AWAY FROM CHILDREN AND BABIES.

ADULT ASSEMBLY REQUIRED.

USE ONLY ON A FLAT SURFACE.

DO NOT USE THIS UNIT UNLESS ALL BOLTS AND SCREWS ARE FIRMLY SECURED.

### **CARE INSTRUCTIONS:**

TO BE ASSEMBLED ON A CLEAN, DRY AND SMOOTH SURFACE.

WIPE CLEAN WITH A SOFT DAMP CLOTH.

NEVER USE SCOURERS, ABRASIVES OR CHEMICAL SOLVENTS.

CHECK AND TIGHTEN ALL PARTS REGULARLY.

KEEP AWAY FROM MOISTURE AND DIRECT SUNLIGHT.

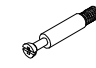




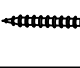








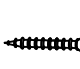
STORE IN A DRY PLACE.

FOR INDOOR AND DOMESTIC USE ONLY.






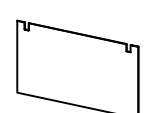
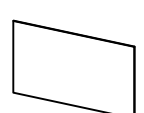
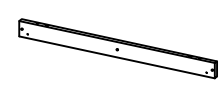




### **MAXIMUM SAFE LOAD:**

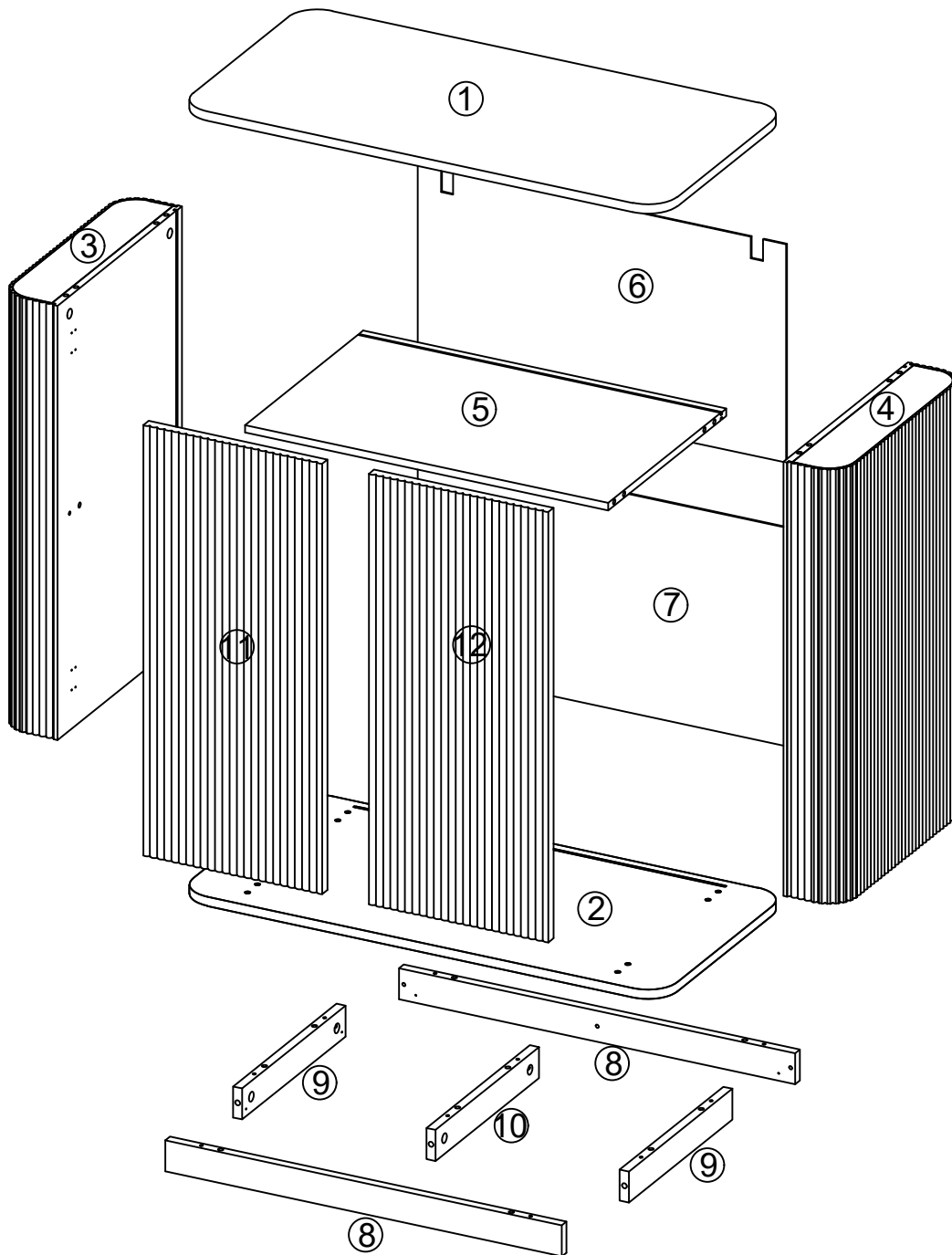
**15KG FOR TOP PANEL, 10KG FOR EACH SHELF.**


# 1 Hardware List

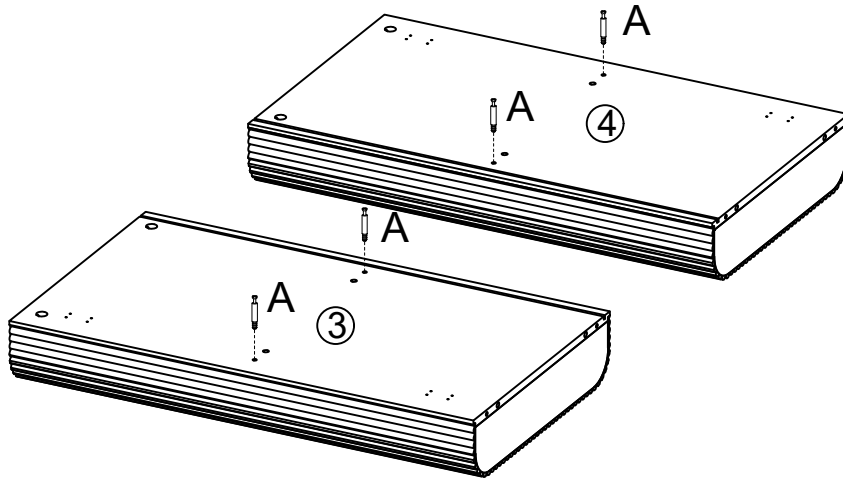
A		6x35mm	14pcs	B		15x10mm	14pcs	C		8x30mm	22pcs
D		7x38mm	4pcs	E		3.5x14mm	46pcs	F		4x48mm	10pcs
G		19*19*1.5mm	4pcs	H		4mm	1pc	I			2pcs
J			8pcs	K		25*15*3mm	4pcs	L			2pcs
M			4pcs	N		6x30mm	2pcs	O		4x35mm	2pcs

# 2 Parts List

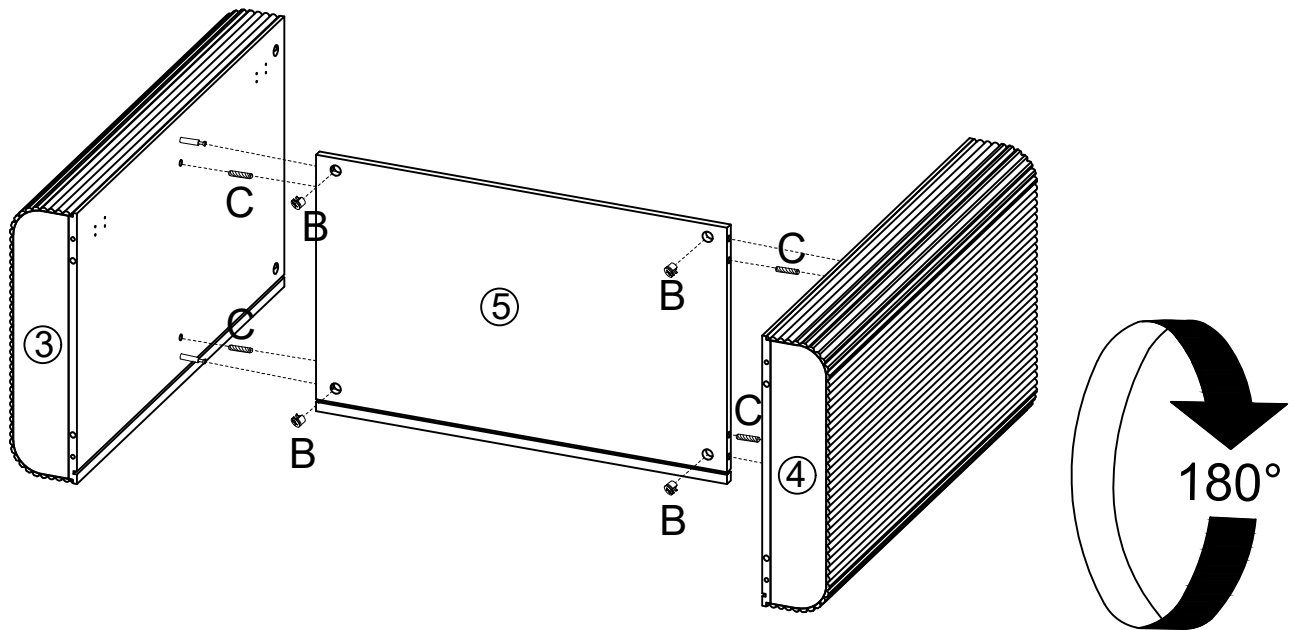
			
① 1pc	② 1pc	③ 1pc	④ 1pc
			
⑤ 1pc	⑥ 1pc	⑦ 1pc	⑧ 2pcs
			
⑨ 2pcs	⑩ 1pc	⑪ 1pc	⑫ 1pc



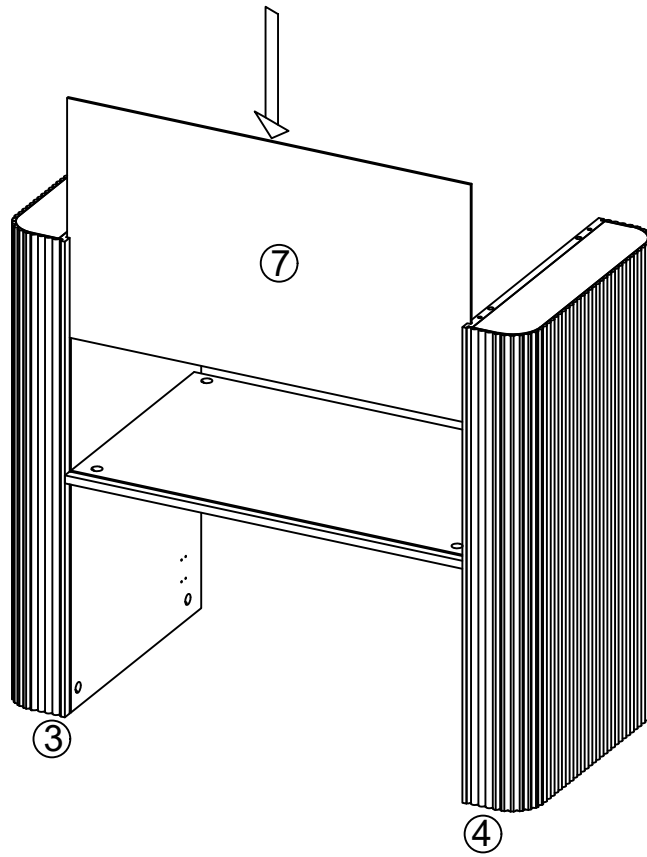
STEP 1  A×4


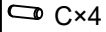


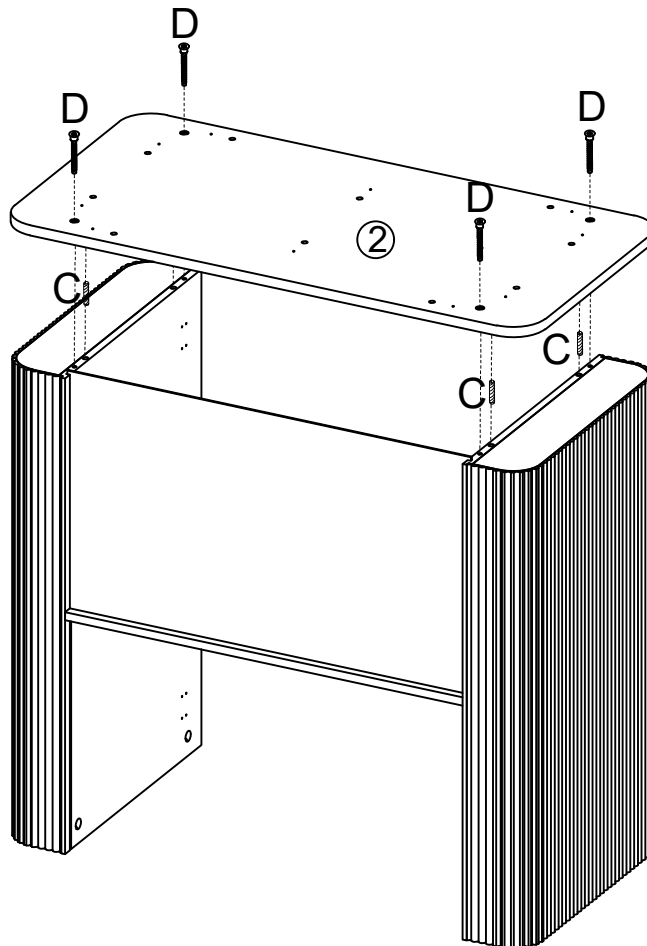
STEP 2  B×4  C×4



STEP 3

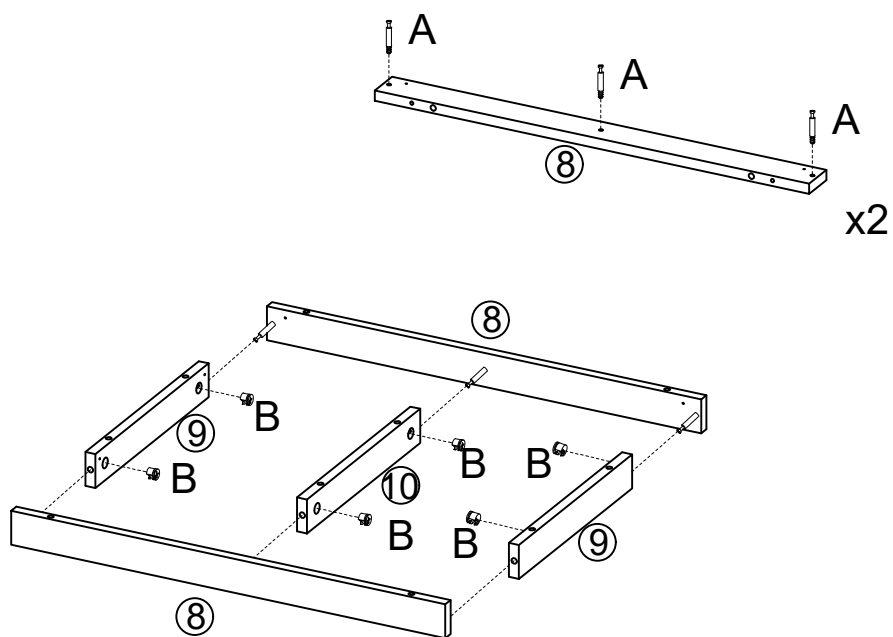


STEP 4  D×4  C×4



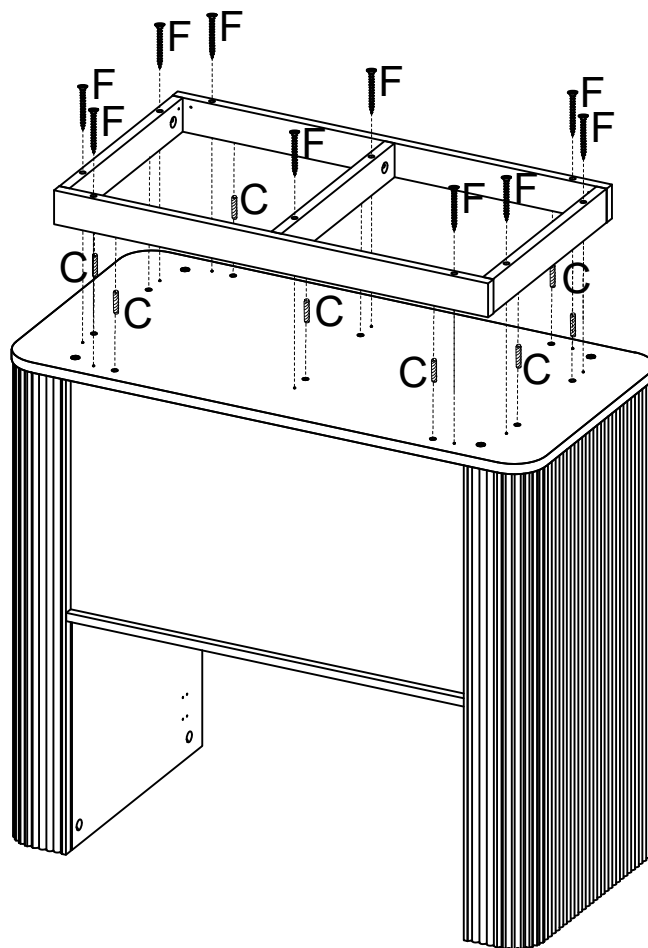
STEP 5



A×6 B×6

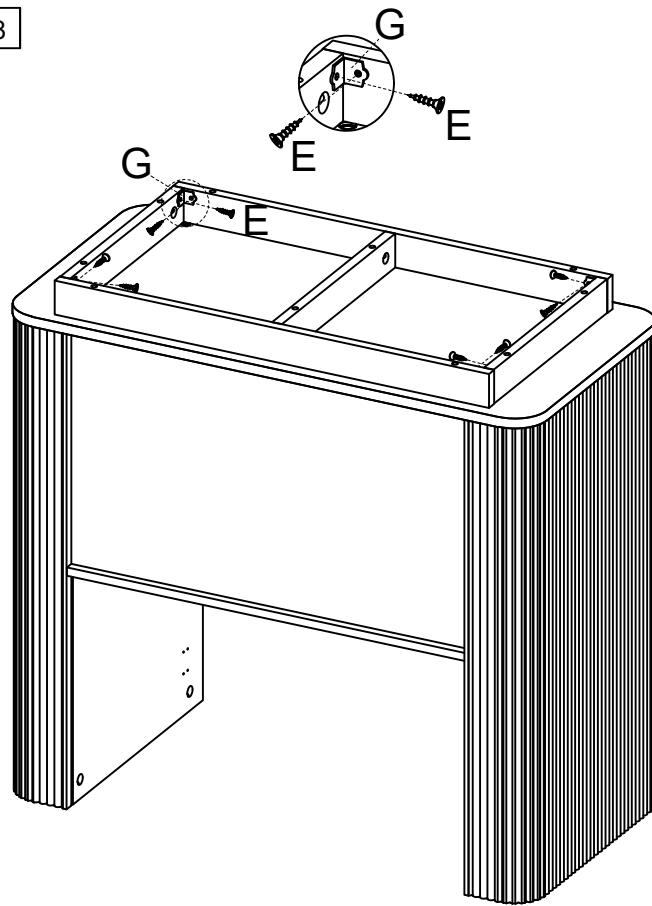



STEP 6

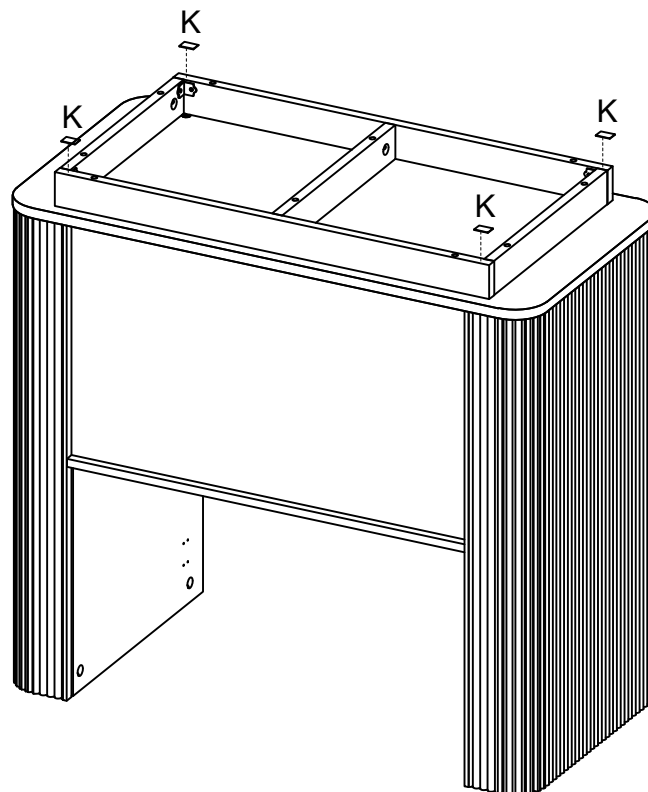
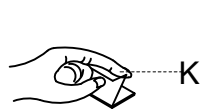
F×10 C×10



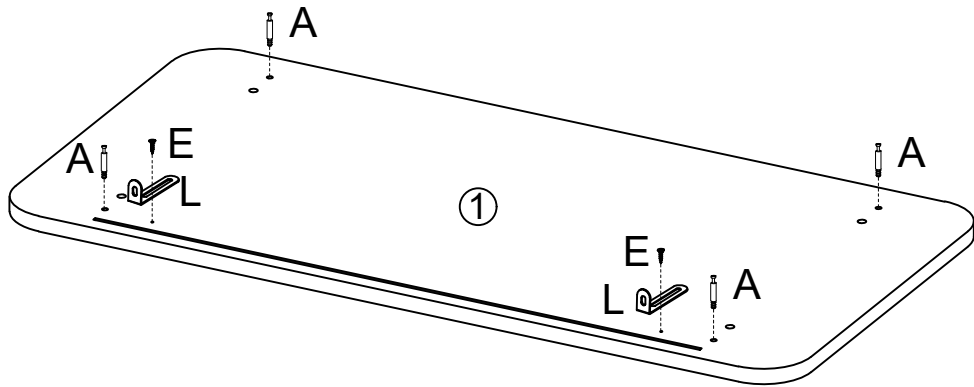
STEP 7  G×4  E×8



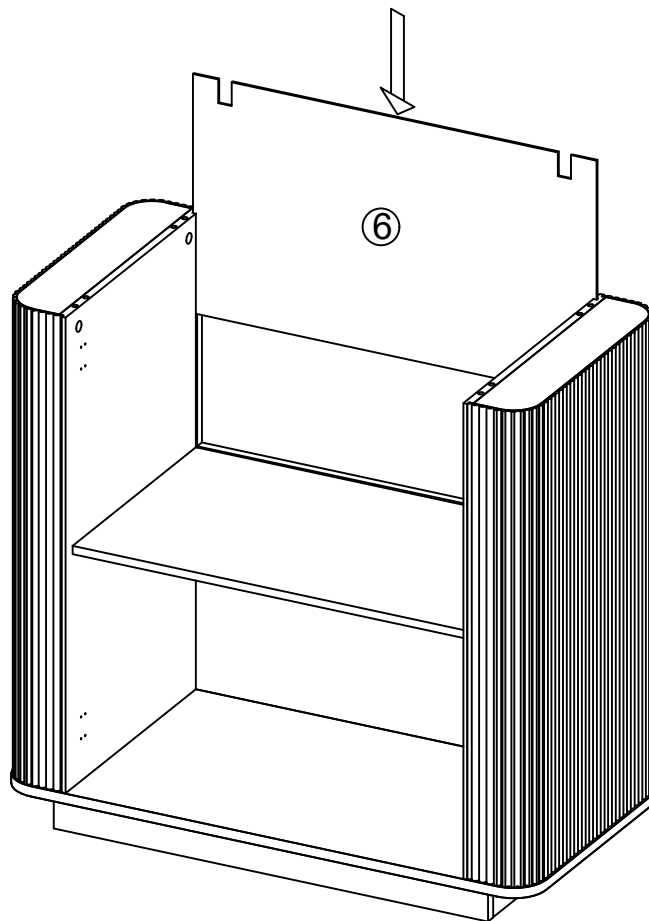
STEP 8  K×4



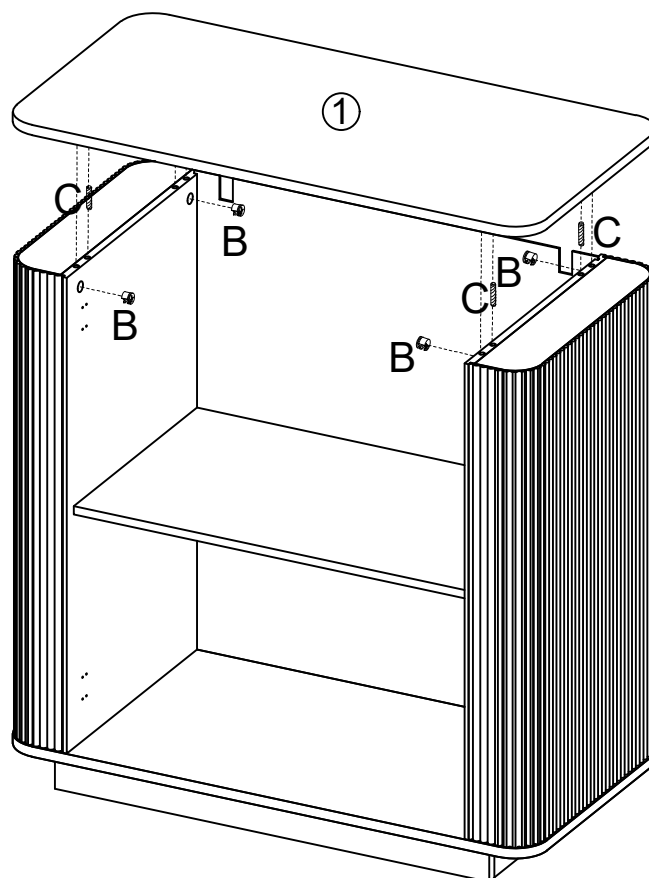
STEP 9





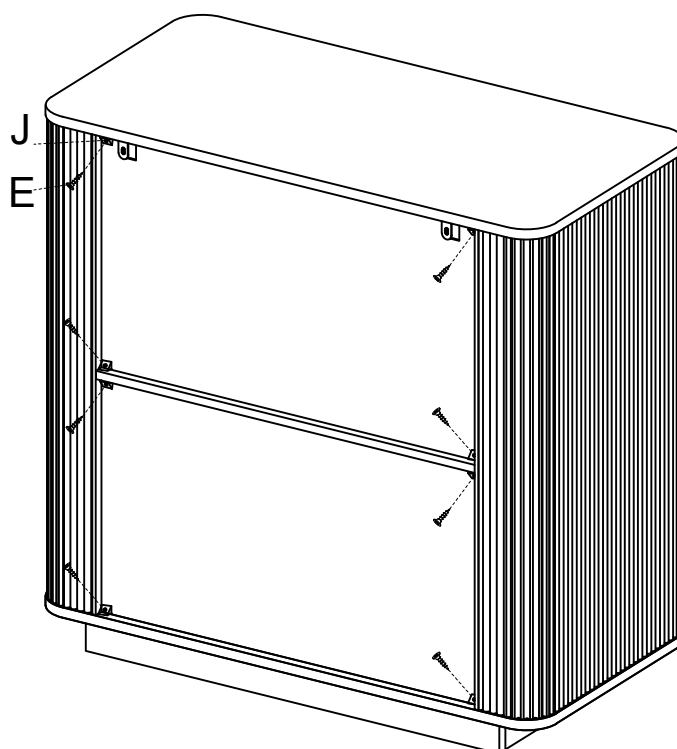
STEP 10



STEP 11  B×4  C×4

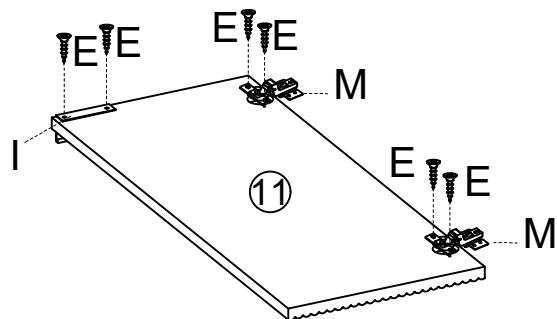
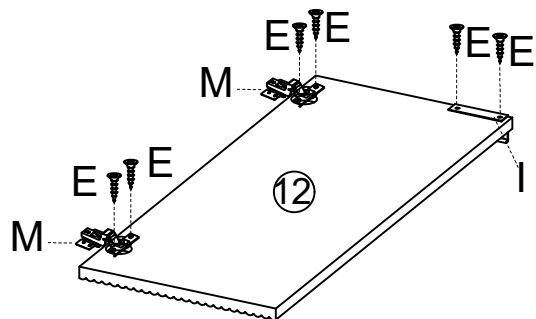


STEP 12  J×8  E×8




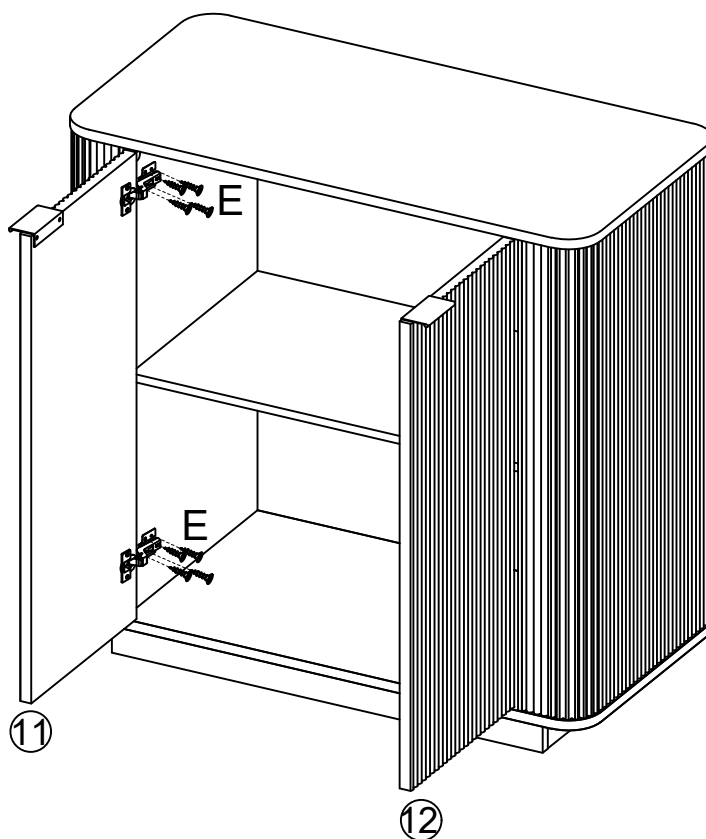
STEP 13


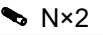
 E×12  M×4  I×2

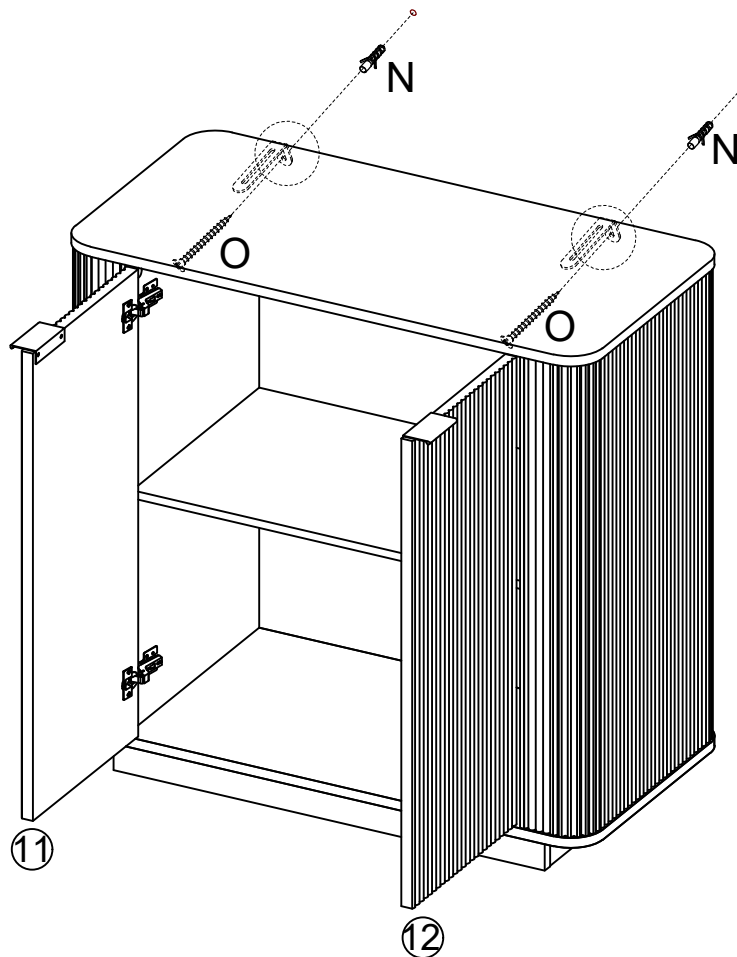
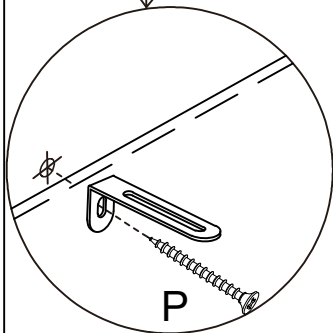
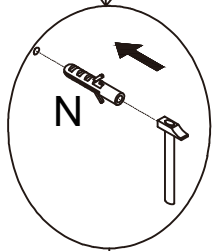
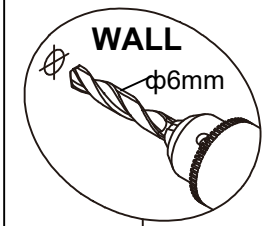


STEP 14

 E×16



STEP 15  O×2  N×2



**▲ WARNING**




**Children have died from furniture tipover.**

- ALWAYS secure it with an anchor device.
- NEVER allow children to stand, climb or hang on drawers, doors, or shelves.
- NEVER open more than one drawer at a time.
- Place heavy items down low.
- Furniture type is at risk of toppling over.

NEVER put a TV on this furniture 

**This is a permanent label. Do not remove!**

TOPPLING FURNITURE WARNING:

- ALWAYS secure it with an anchor device.
- Please seek professional advice if you are in doubt of what fixing device to use.
- Regularly check that anchors are securely maintained.
- Use safety drawer locks to prevent children climbing.
- Stability of tall items may be affected by thick pile carpet or uneven floors .
- Do not place unanchored televisions on furniture .

**CAUTION:** for your safety when attaching the anchor fixings, please note the following:

- Check any electrical wires or plumbing inside the wall before drilling any holes (if you are unsure please seek professional advice from a qualified tradesperson).



WARNING: PLEASE SECURE YOUR FURNITURE WITH THE SUPPLIED WALL FIXING. SCAN THE CODE FOR MORE INFORMATION.



STEP 16

