

Assembly Instruction

43682775 ALMA 6 DRAWER CHEST

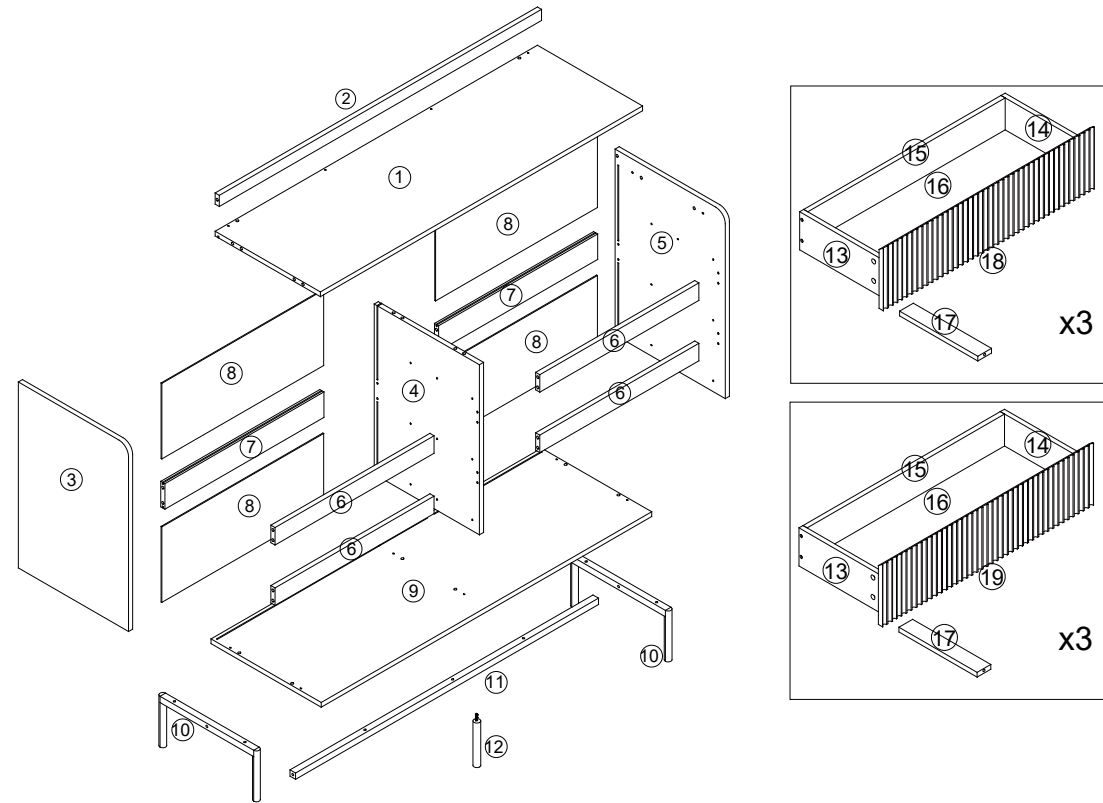
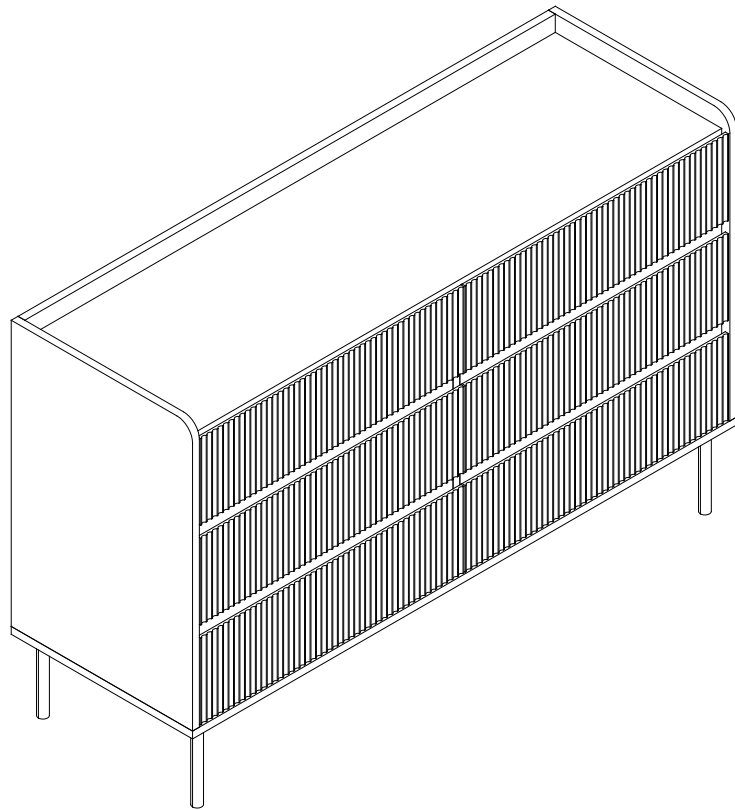
CARE INSTRUCTIONS:

WIPE CLEAN WITH A SOFT DAMP CLOTH. DO NOT USE ABRASIVE MATERIALS AND SOLVENTS. CHECK AND TIGHTEN ALL PARTS REGULARLY. DO NOT PLACE HOT ITEMS SUCH AS COFFEE CUPS DIRECTLY ON THE SURFACE. KEEP AWAY FROM WATER AND DIRECT SUNLIGHT. STORE IN A DRY PLACE. FOR DOMESTIC USE ONLY. FOR INDOOR USE ONLY. A MILD ODOUR MAY BE PRESENT WHEN FIRST OPENING THIS CARTON. SIMPLY ALLOW TO AIR OUTSIDE AND THIS WILL FADE.

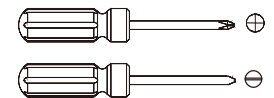
WARNING:

DO NOT STAND OR SIT ON THIS UNIT. DO NOT USE THIS UNIT UNLESS ALL BOLTS AND SCREWS ARE FIRMLY SECURED. DO NOT KNOCK OR DRAG THIS UNIT. USE ONLY ON A FLAT SURFACE. LOAD TOP AND DRAWER EVENLY TO PREVENT FROM TIPPING OVER. THIS PACKAGE CONTAINS SMALL PARTS AND SHARP POINTS. KEEP AWAY FROM CHILDREN AND BABIES. ADULT ASSEMBLY REQUIRED. FAILURE TO FOLLOW THESE WARNINGS COULD RESULT IN SERIOUS INJURY.

MAXIMUM SAFE LOAD: 15KGS FOR TOP, 5KGS FOR DRAWER.










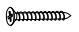
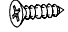




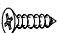




Tools Required (Not Provided)

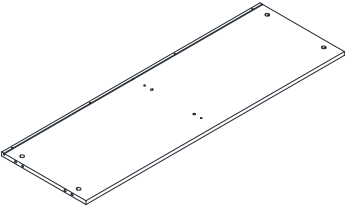
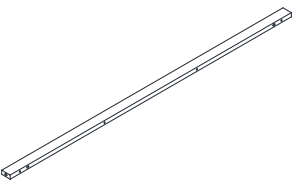
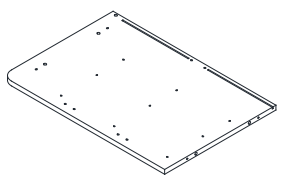
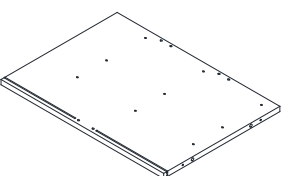
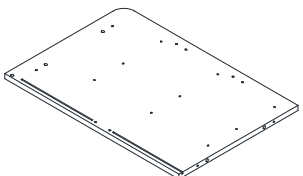
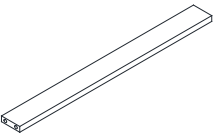
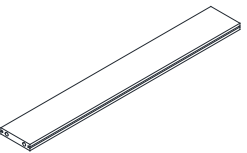
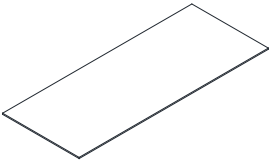
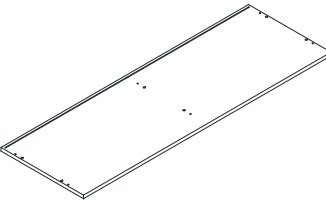
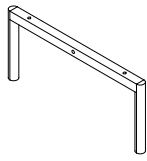
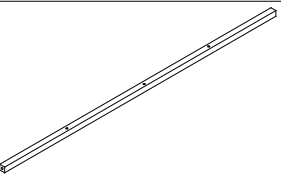

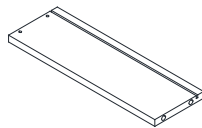
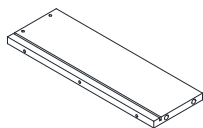
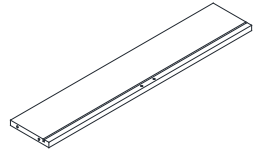
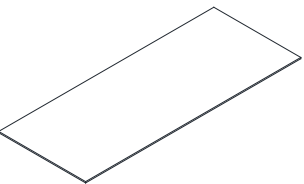
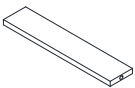
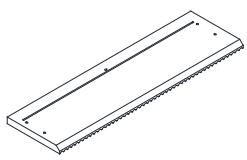
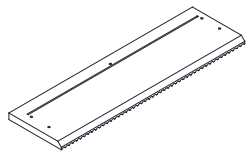


Do not tighten the screws fully during assembly.
Fully tighten screws after the final assembly steps.

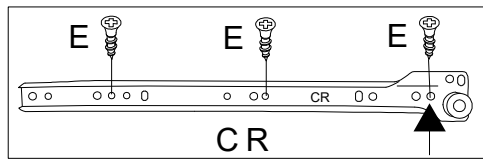
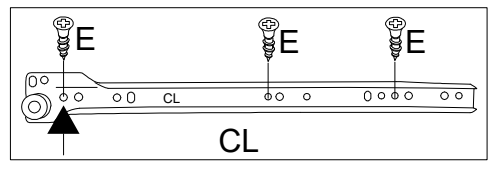
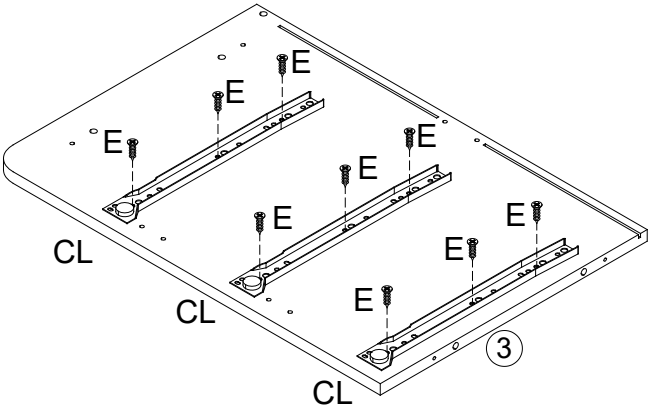
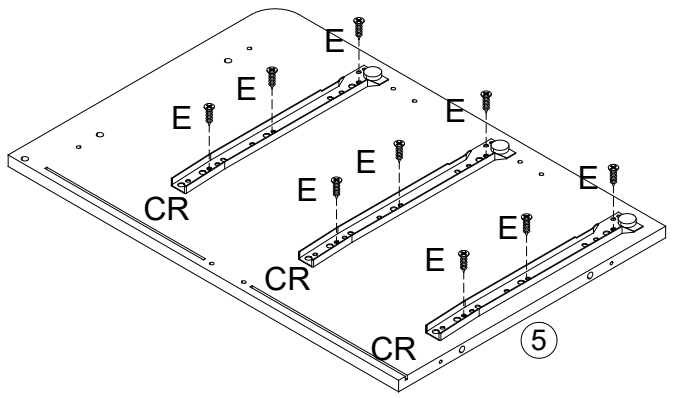
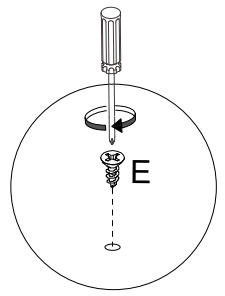
Hardware List

	A	6x35mm	60pcs		F		2pcs		K	4mm	1pc		P		1pc	
	B	15x10mm	60pcs		G		2pcs		L		16pcs		CL	DL	300mm	6pcs
	C	8x30mm	16pcs		H	4x35mm	42pcs		M	3x16mm	16pcs		CR	DR	300mm	6pcs
	D	7x40mm	6pcs		I	4mm	4pcs		N	6mm	8pcs					
	E	3x12mm	72pcs		J	6x30mm	8pcs		O	4x14mm	2pcs					

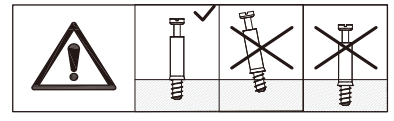
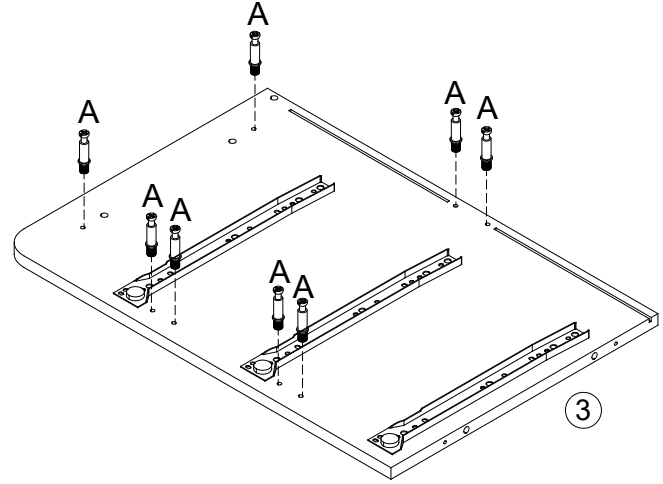
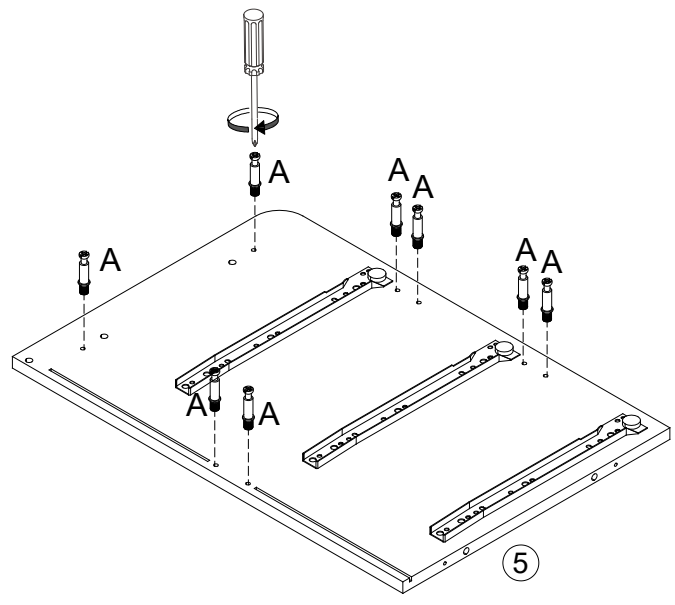
Part List

									
①	1PC	②	1PC	③	1PC	④	1PC	⑤	1PC
									
⑥	4PCS	⑦	2PCS	⑧	4PCS	⑨	1PC	⑩	2PCS
									
⑪	1PC	⑫	1PC	⑬	6PCS	⑭	6PCS	⑮	6PCS
									
⑯	6PCS	⑰	6PCS	⑱	3PCS	⑲	3PCS		

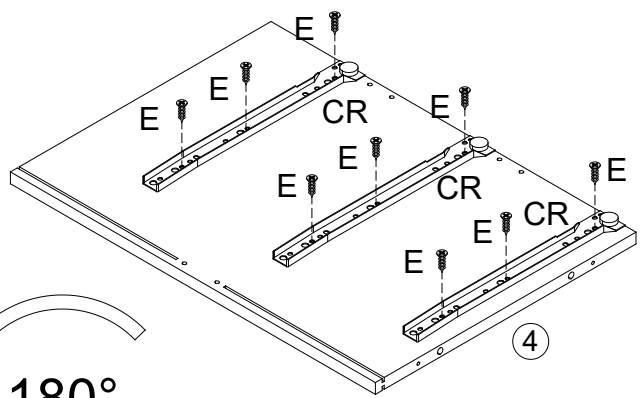
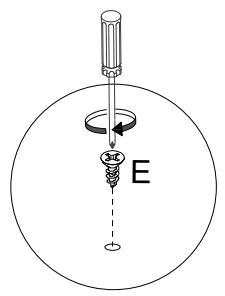
Step 1: Ex18  CLx3  CRx3 



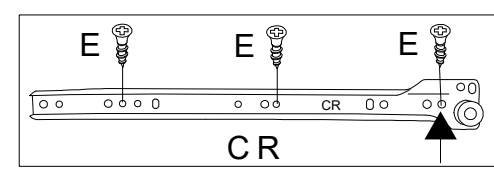
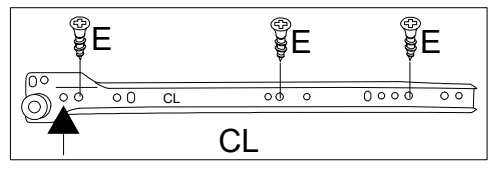
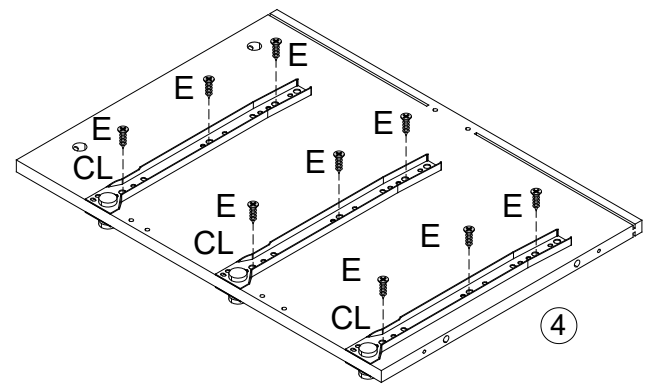
Step 2: Ax16 



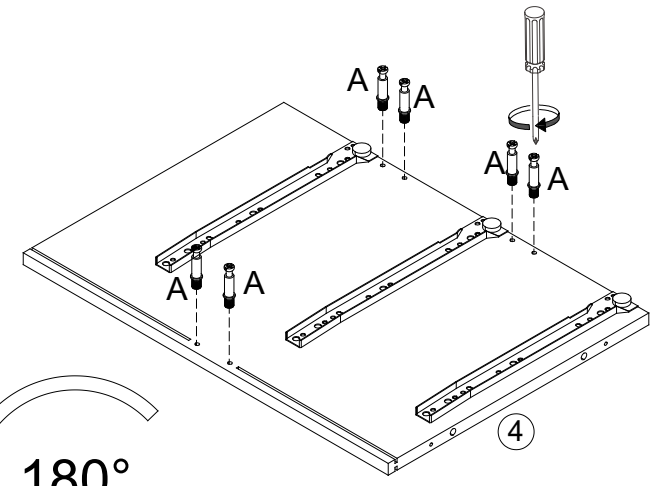
Step 3: Ex18  CLx3  CRx3



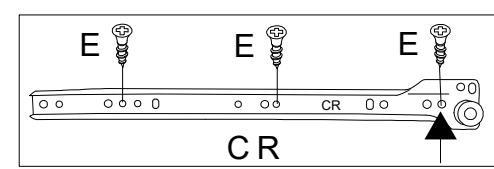
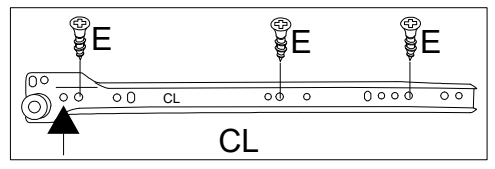
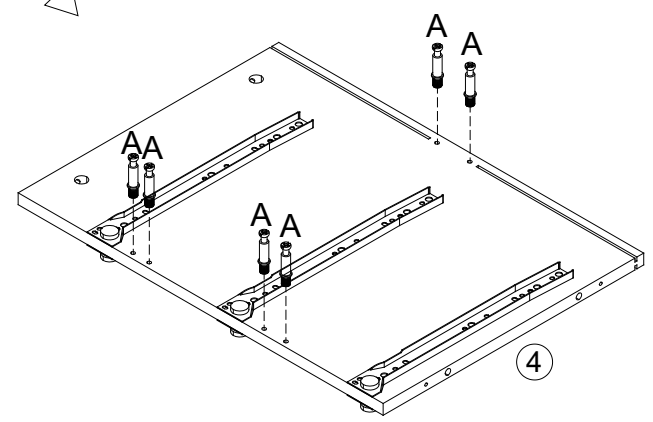
180°



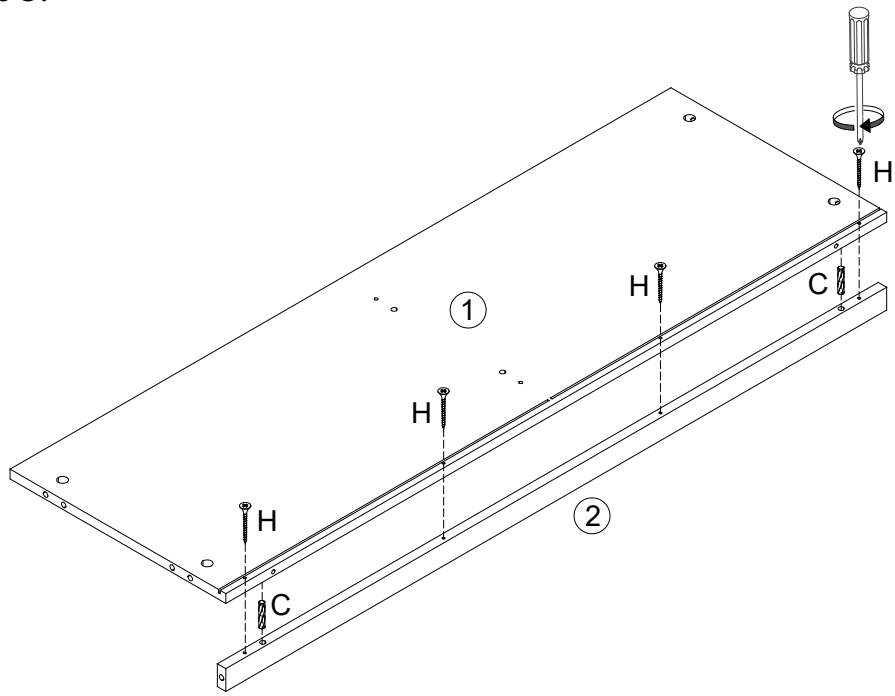
Step 4:  Ax12



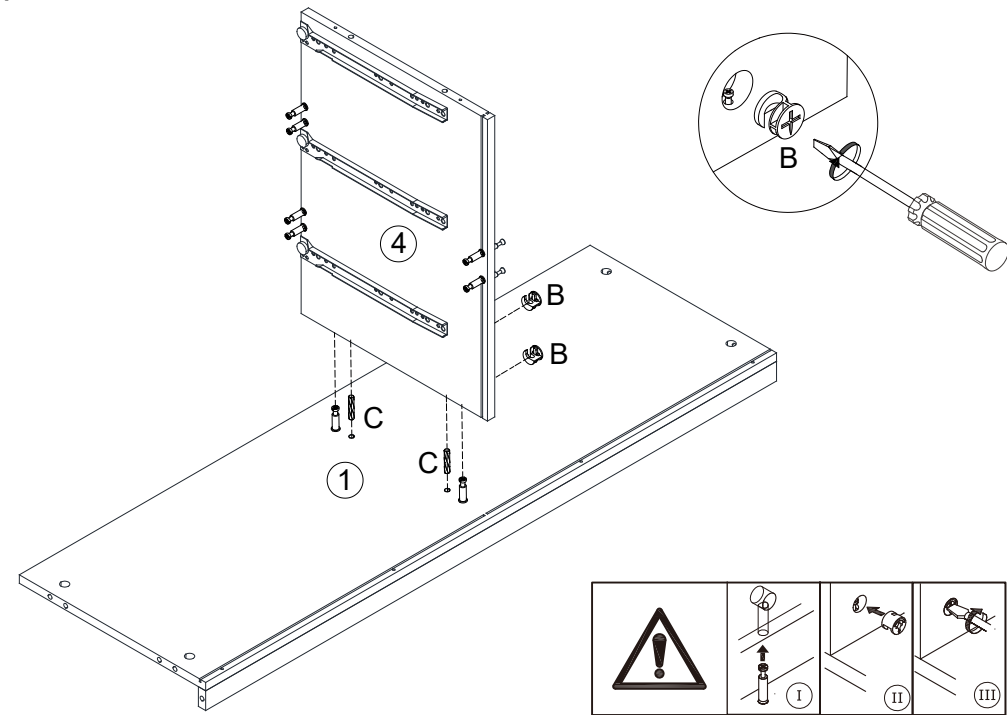
180°



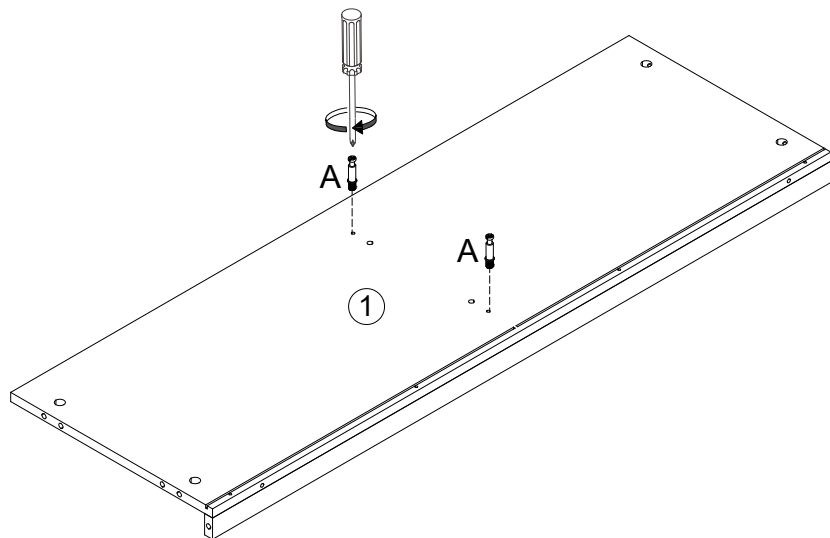
Step 5:  Cx2  Hx4




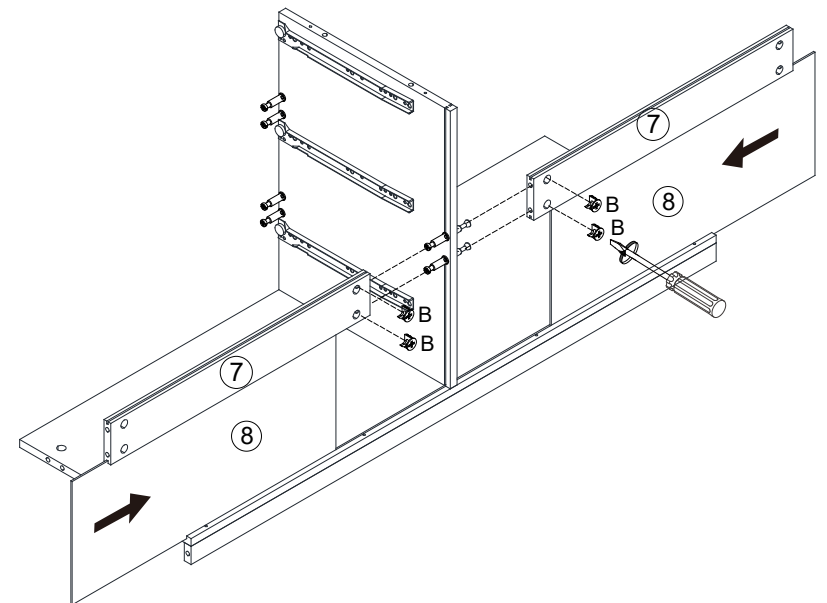
Step 7:  Bx2  Cx2



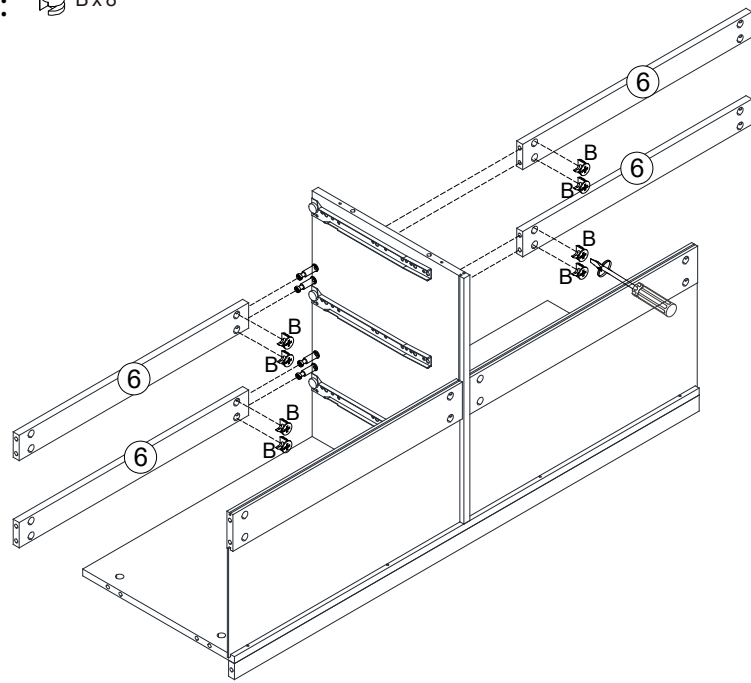
Step 6:  Ax2



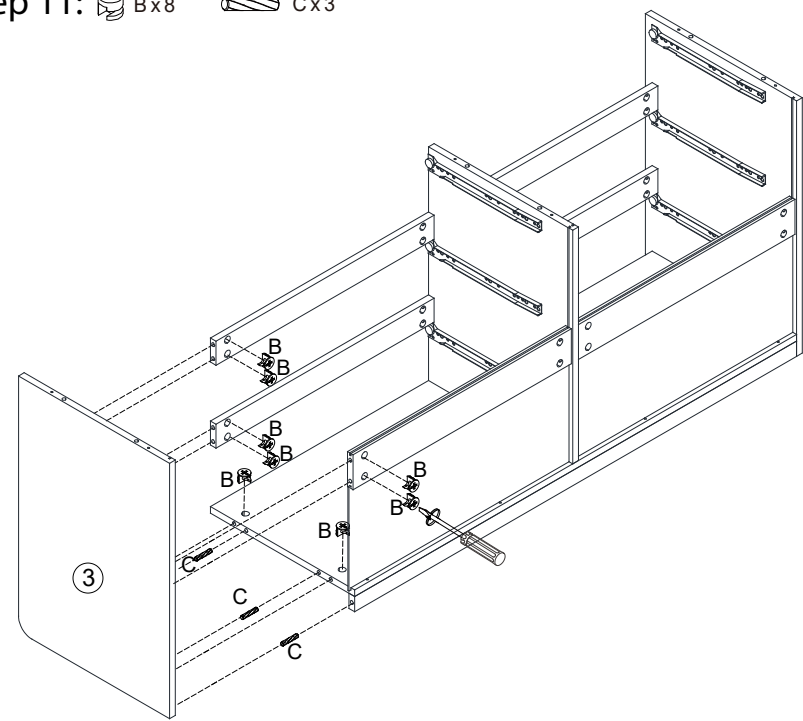
Step 8:  Bx4



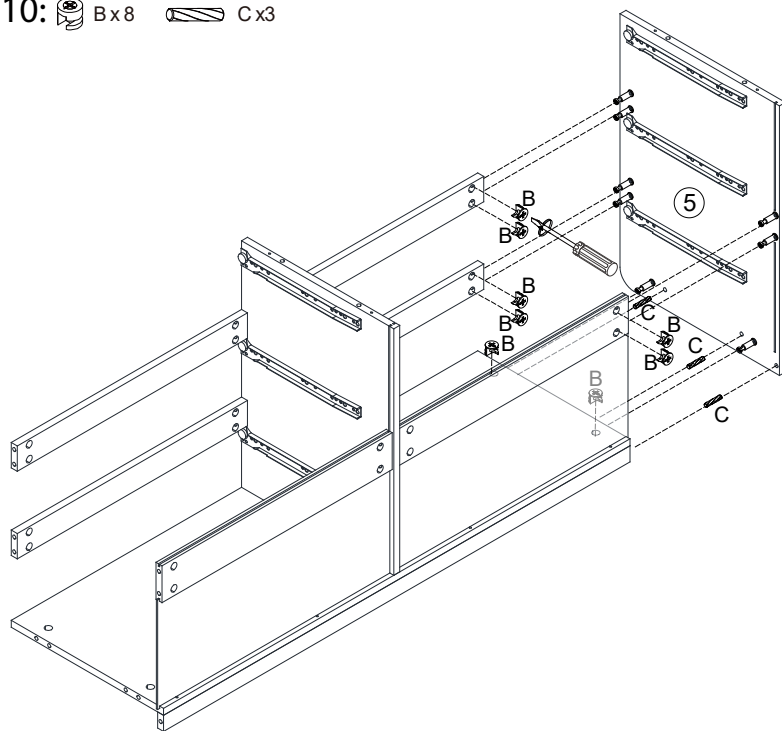
Step 9: Bx8



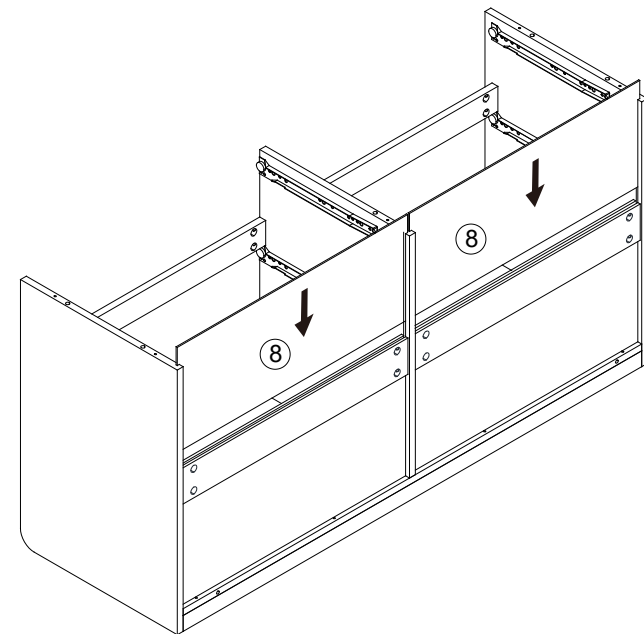
Step 11: Bx8 Cx3



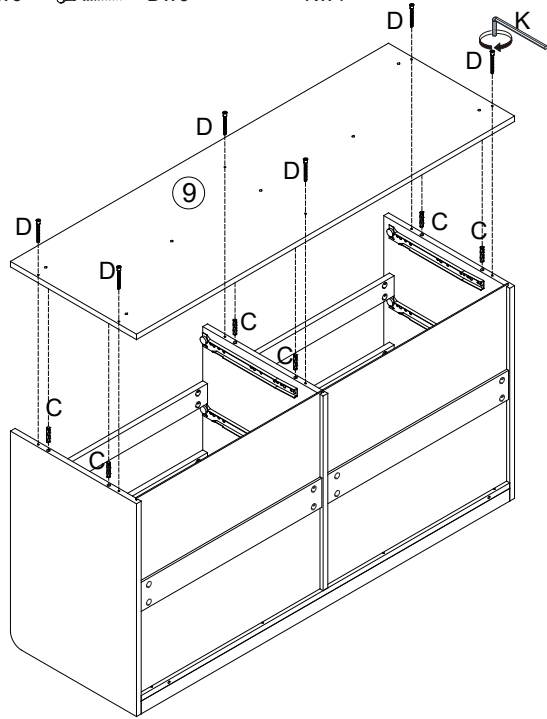
Step 10: Bx8 Cx3



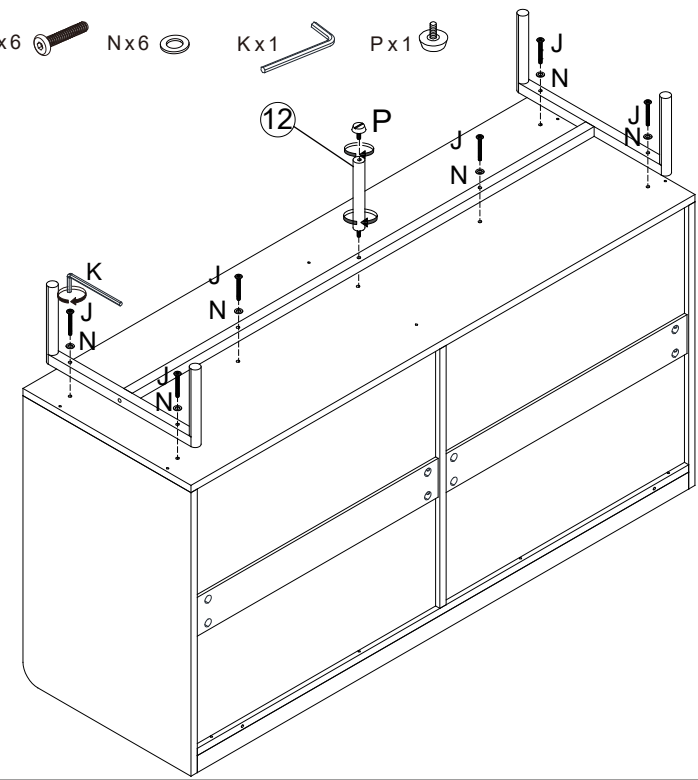
Step 12:



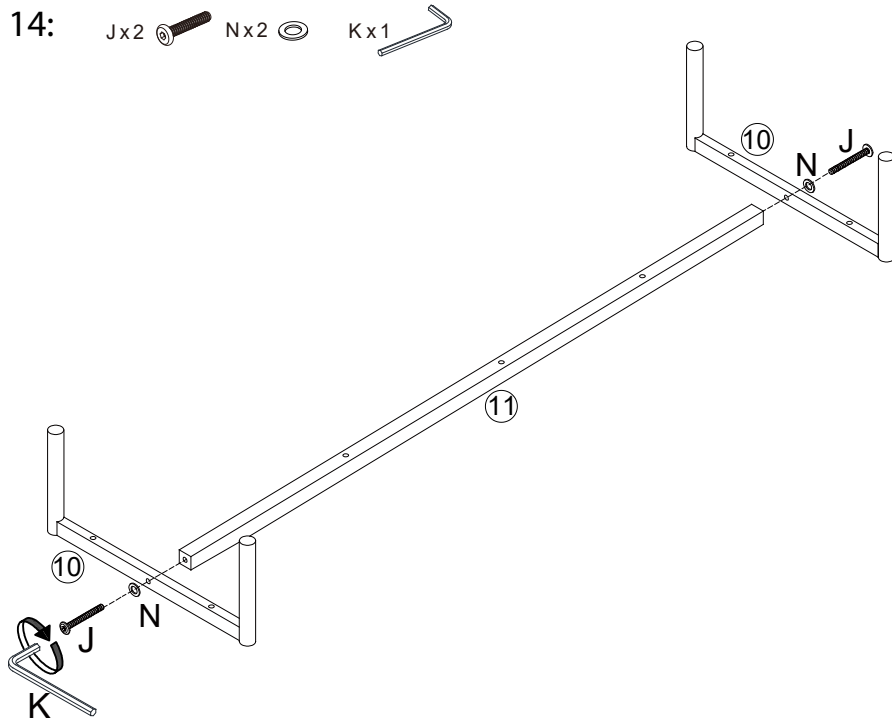
Step 13: Cx6 Dx6 Kx1



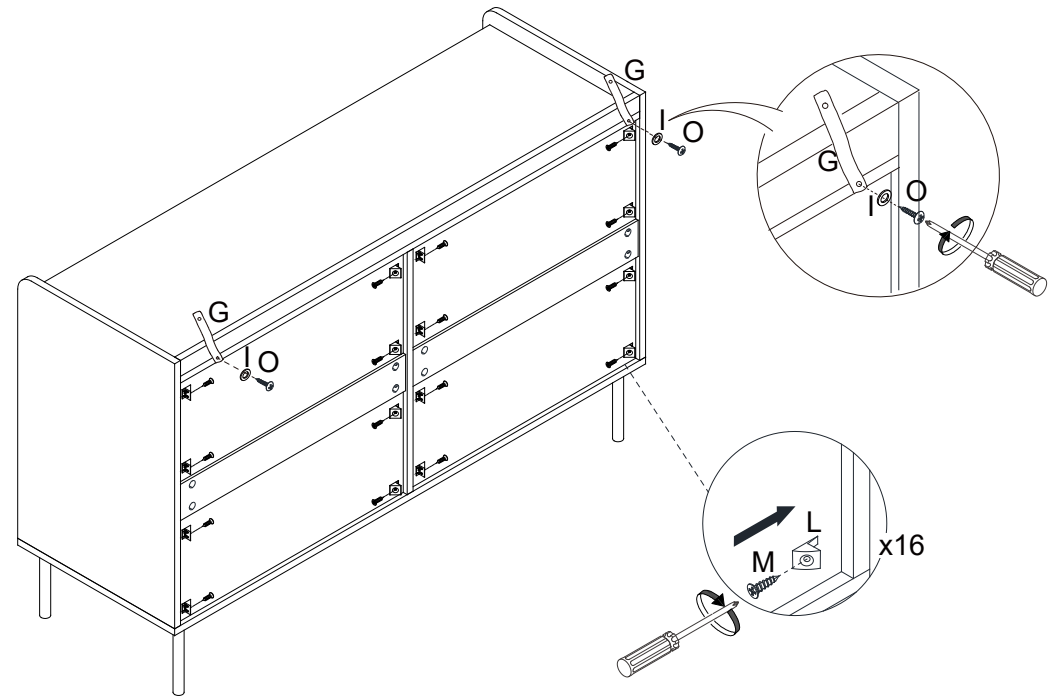
Step 15: Jx6 Nx6 Kx1 Px1

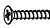


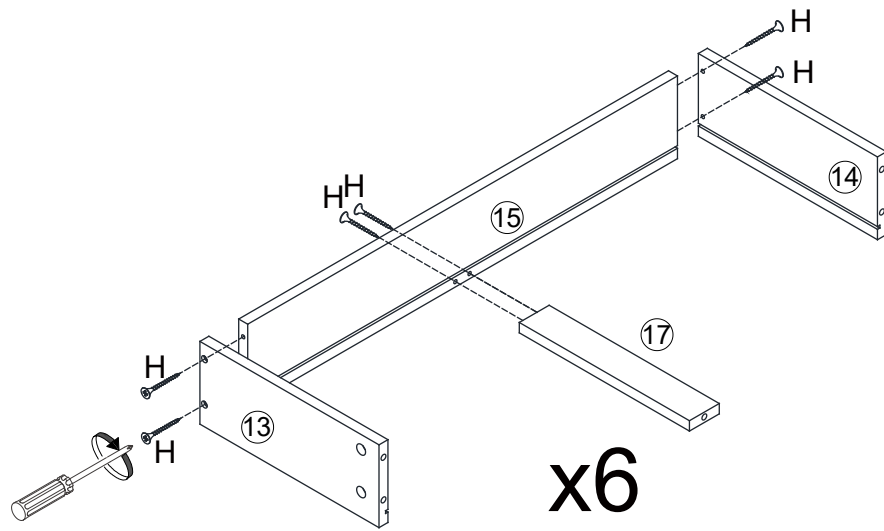
Step 14: Jx2 Nx2 Kx1

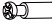


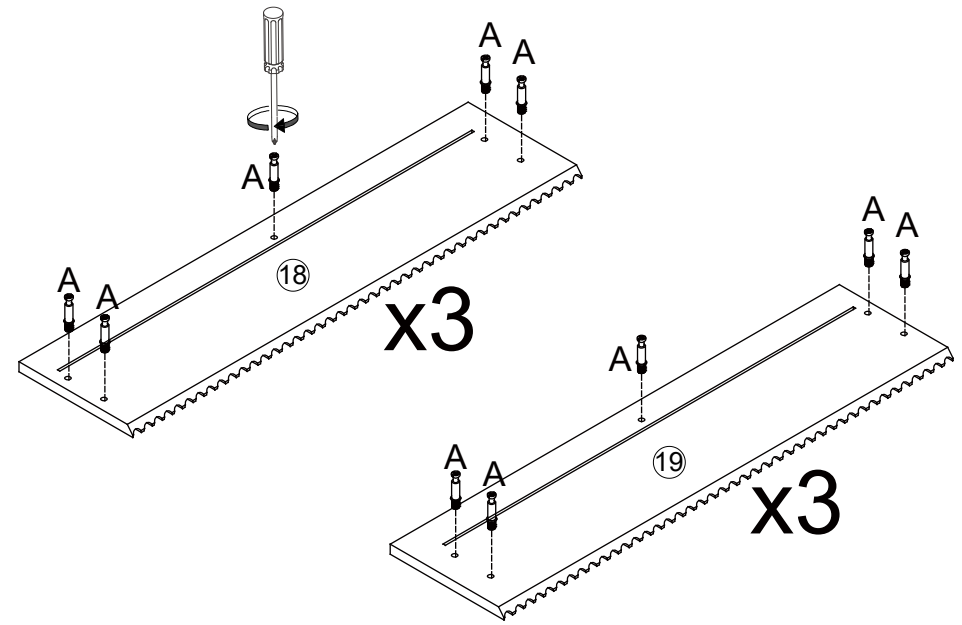
Step 16: Lx16 Mx16 Ox2 Ix2 Gx2



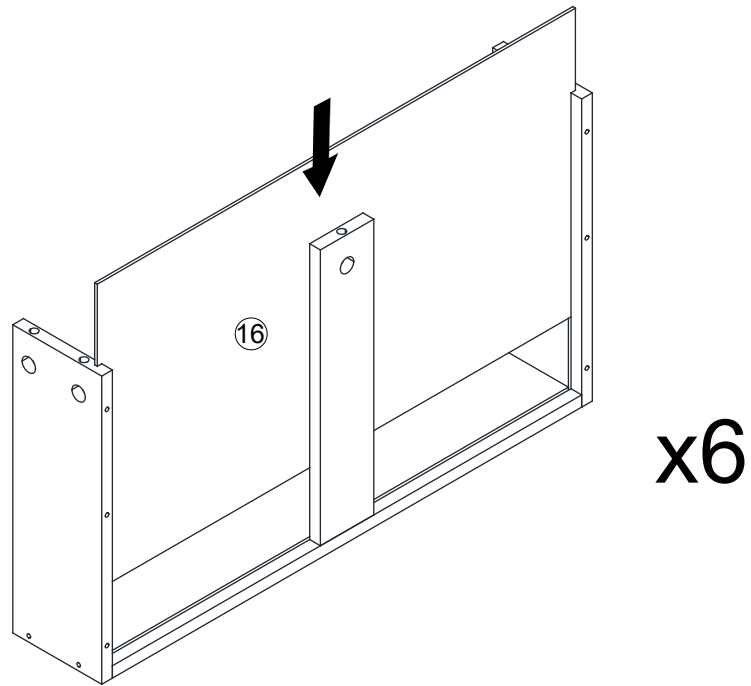
Step 17:  H x 36




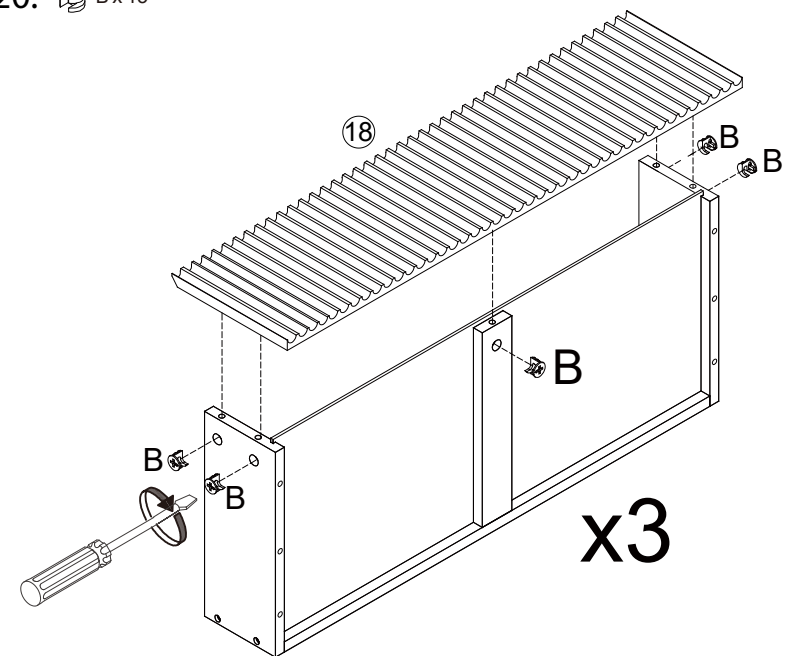
Step 19:  Ax 30



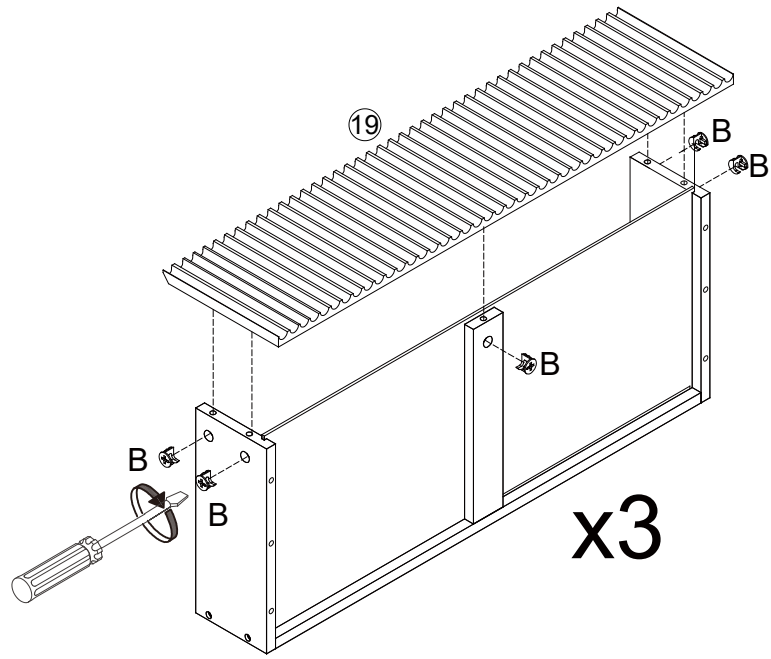
Step 18:



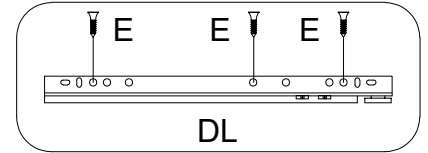
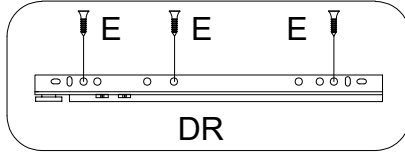
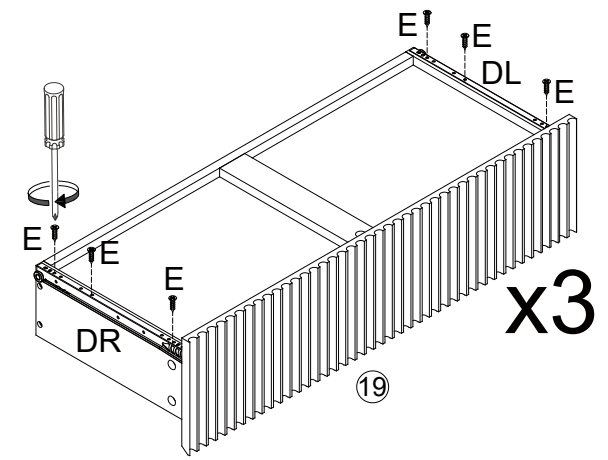
Step 20:  B x 15



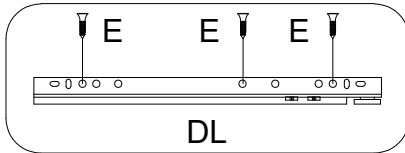
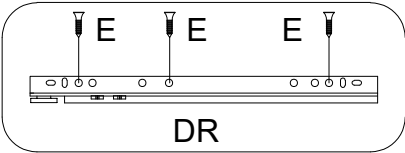
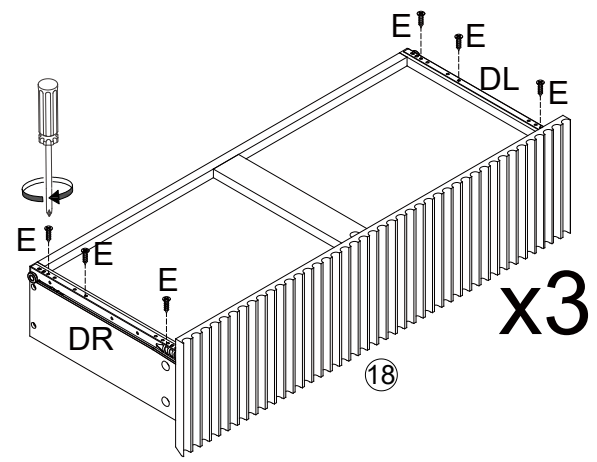
Step 21: Bx15



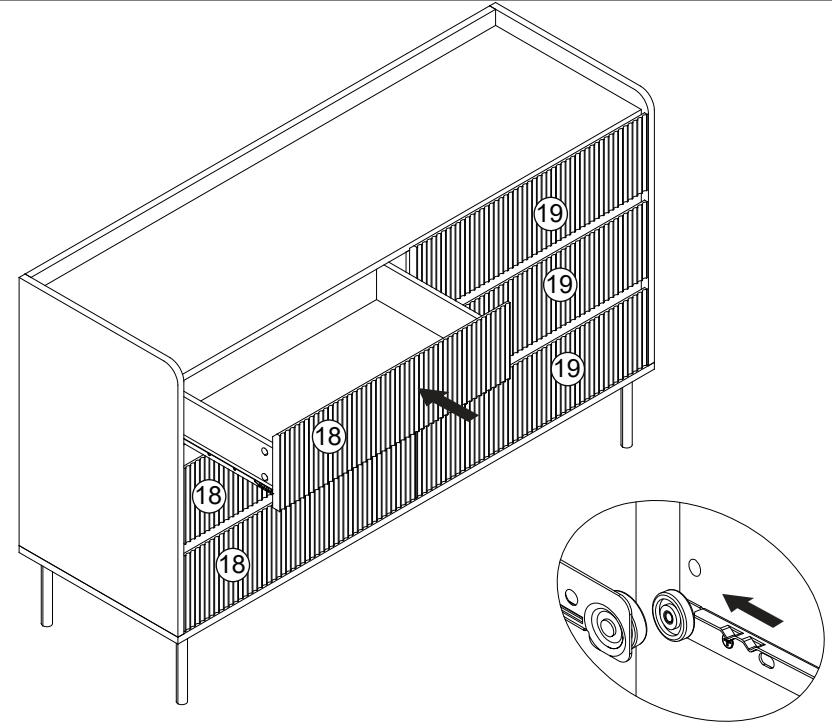
Step 23: Ex18 DLx3 DRx3




Step 22: Ex18 DLx3 DRx3

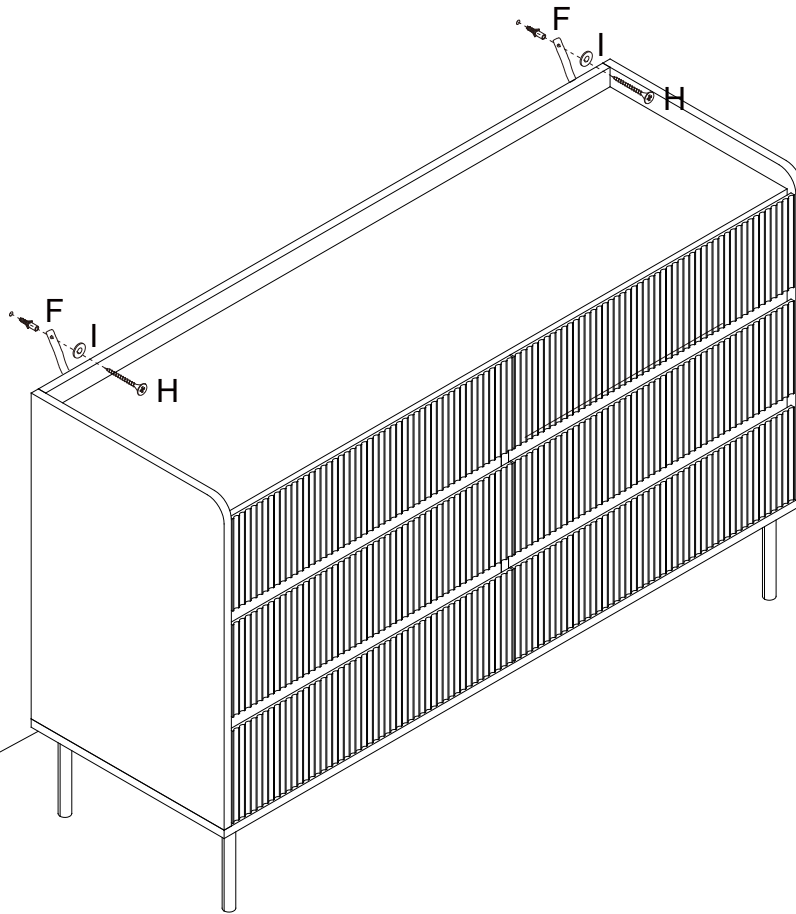
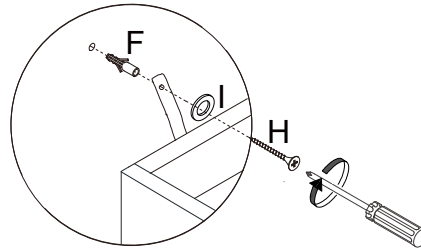


Step 24:



Step 25:  Hx2  Fx2  Ix2

WALL



TOPPLING FURNITURE WARNING:

- **ALWAYS** secure it with an anchor device.
- Please seek professional advice if you are in doubt of what fixing device to use.
- Regularly check that anchors are securely maintained.
- Use safety drawer locks to prevent children climbing.
- Stability of tall items may be affected by thick pile carpet or uneven floors .
- Do not place unanchored televisions on furniture .

CAUTION: for your safety when attaching the anchor fixings, please note the following:

- Check any electrical wires or plumbing inside the wall before drilling any holes (if you are unsure please seek professional advice from a qualified tradesperson).

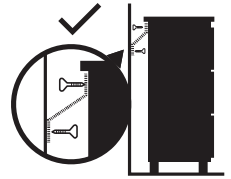


TOPPLING HAZARD

WARNING: PLEASE SECURE YOUR FURNITURE WITH THE SUPPLIED WALL FIXING. SCAN THE CODE FOR MORE INFORMATION.



WARNING



Children have died from furniture tipover.

- ALWAYS secure it with an anchor device.
- NEVER allow children to stand, climb or hang on drawers, doors, or shelves.
- NEVER open more than one drawer at a time.
- Place heavy items down low.

NEVER put a TV on this furniture



This is a permanent label. Do not remove!