

Assembly Instruction

43682768 ALMA 2 DRAWER BEDSIDE TABLE

CARE INSTRUCTIONS:












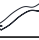


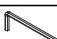


WIPE CLEAN WITH A SOFT DAMP CLOTH. DO NOT USE ABRASIVE MATERIALS AND SOLVENTS. CHECK AND TIGHTEN ALL PARTS REGULARLY. DO NOT PLACE HOT ITEMS SUCH AS COFFEE CUPS DIRECTLY ON THE SURFACE. KEEP AWAY FROM WATER AND DIRECT SUNLIGHT. STORE IN A DRY PLACE. FOR DOMESTIC USE ONLY. FOR INDOOR USE ONLY. A MILD ODOUR MAY BE PRESENT WHEN FIRST OPENING THIS CARTON. SIMPLY ALLOW TO AIR OUTSIDE AND THIS WILL FADE.

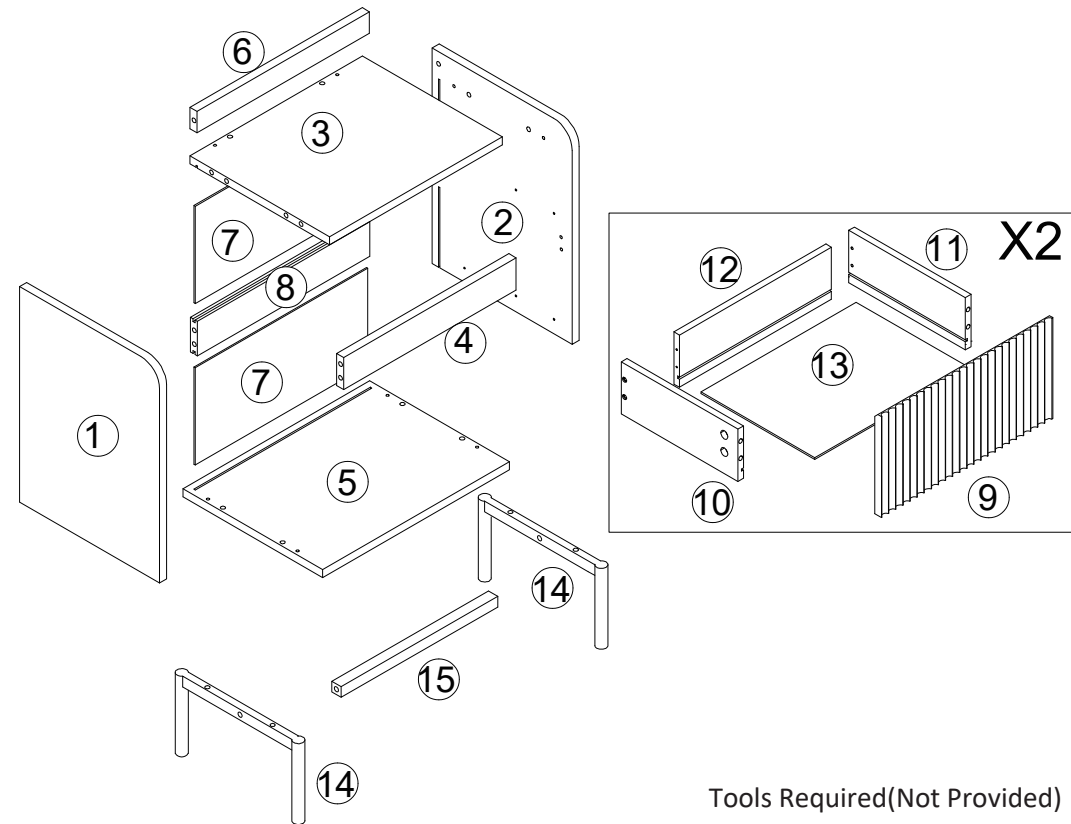
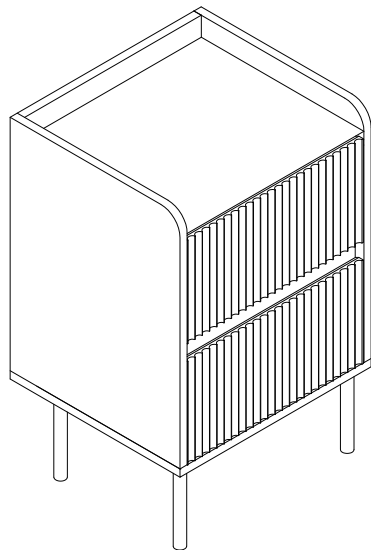
WARNING:

DO NOT STAND OR SIT ON THIS UNIT. DO NOT USE THIS UNIT UNLESS ALL BOLTS AND SCREWS ARE FIRMLY SECURED. DO NOT KNOCK OR DRAG THIS UNIT. USE ONLY ON A FLAT SURFACE. LOAD TOP AND DRAWER EVENLY TO PREVENT FROM TIPPING OVER. THIS PACKAGE CONTAINS SMALL PARTS AND SHARP POINTS. KEEP AWAY FROM CHILDREN AND BABIES. ADULT ASSEMBLY REQUIRED. FAILURE TO FOLLOW THESE WARNINGS COULD RESULT IN SERIOUS INJURY.

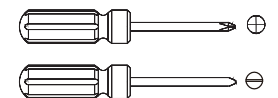
MAXIMUM SAFE LOAD: 10KGS FOR TOP, 5KGS FOR DRAWER.

Hardware List

	A	6x35mm	20pcs		I	6mm	6pcs
	B	15x9.5mm	20pcs		J	6x25mm	6pcs
	C	6x30mm	12pcs		K	3x16mm	8pcs
	D	4x35mm	11pcs		L		8pcs
	E	3x12mm	24pcs		M	7x40mm	4pcs
		250mm	2pcs		N		1pc
		250mm	2pcs		O	4x12mm	1pc
	H	4mm	1pc		P	6x30mm	1pc
					Q	4mm	2pcs

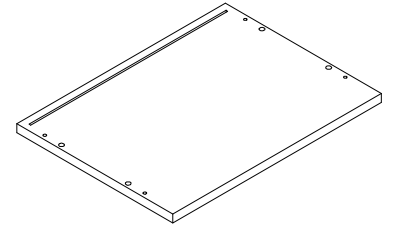
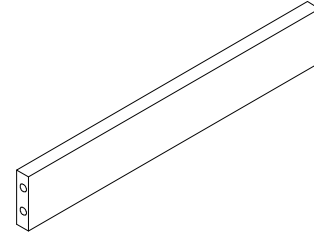
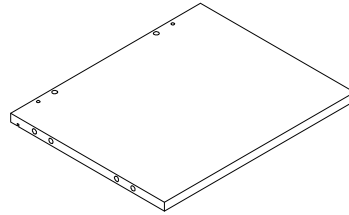
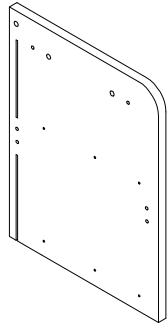
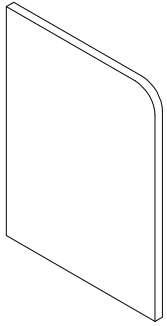


Tools Required (Not Provided)



Do not tighten the screws fully during assembly.
Fully tighten screws after the final assembly steps.

Part List



①

1 PC

②

1 PC

③

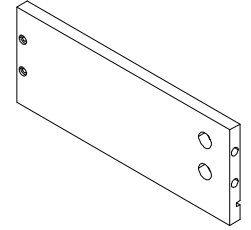
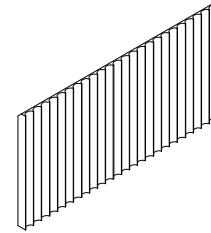
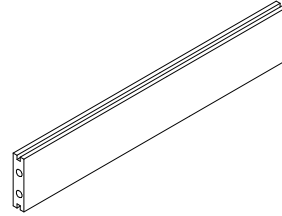
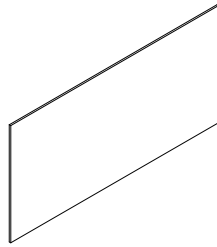
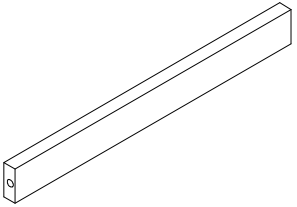
1 PC

④

1 PC

⑤

1 PC



⑥

1 PC

⑦

2 PCS

⑧

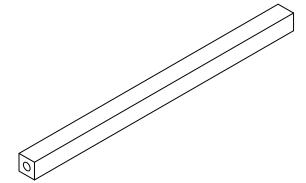
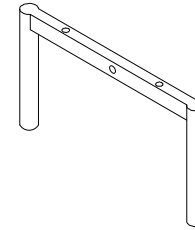
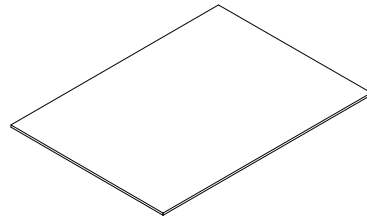
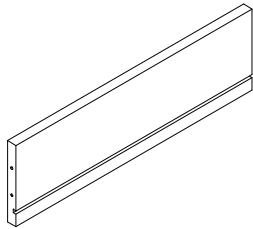
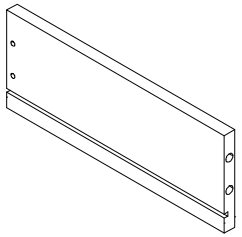
1 PC

⑨

2 PCS

⑩

2 PCS



⑪

2 PCS

⑫

2 PCS

⑬

2 PCS

⑭

2 PCS

⑮

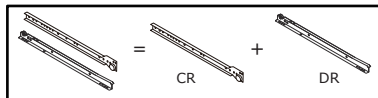
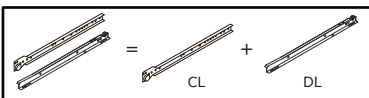
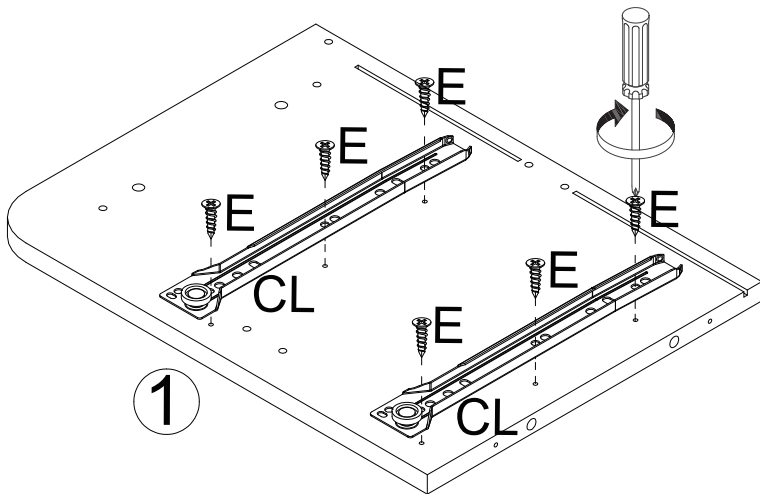
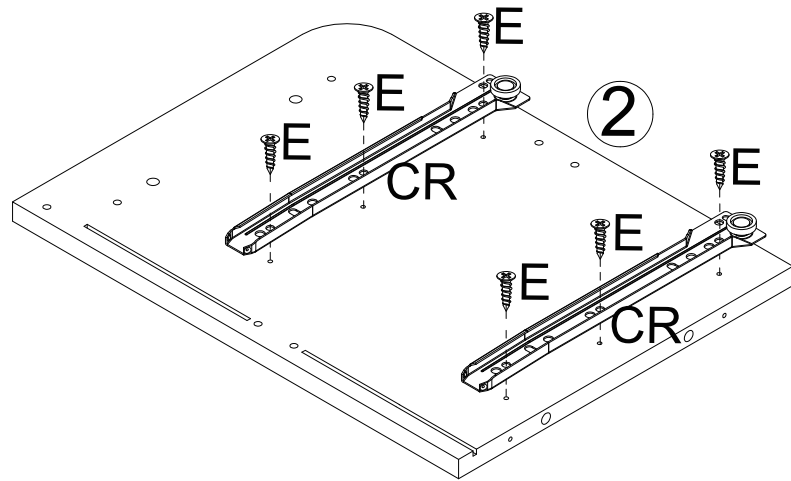
1 PC

Step 1:

E x 12
3x12mm

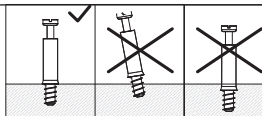
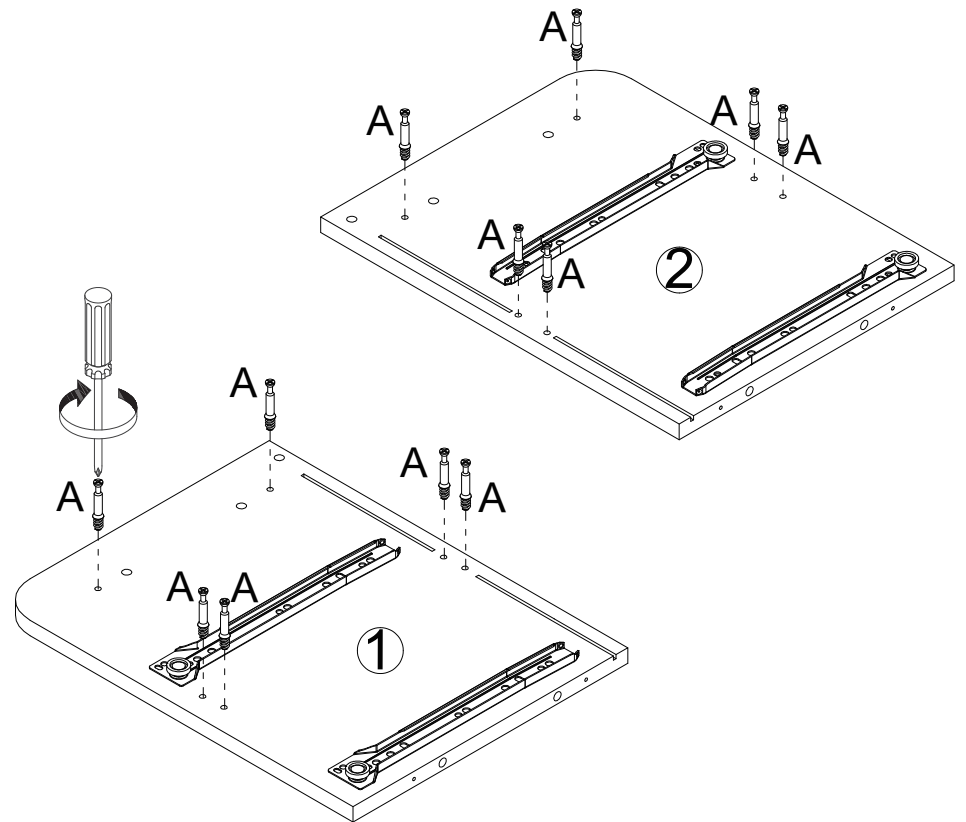
CL x 2

CR x 2



Step 2:

A x 12

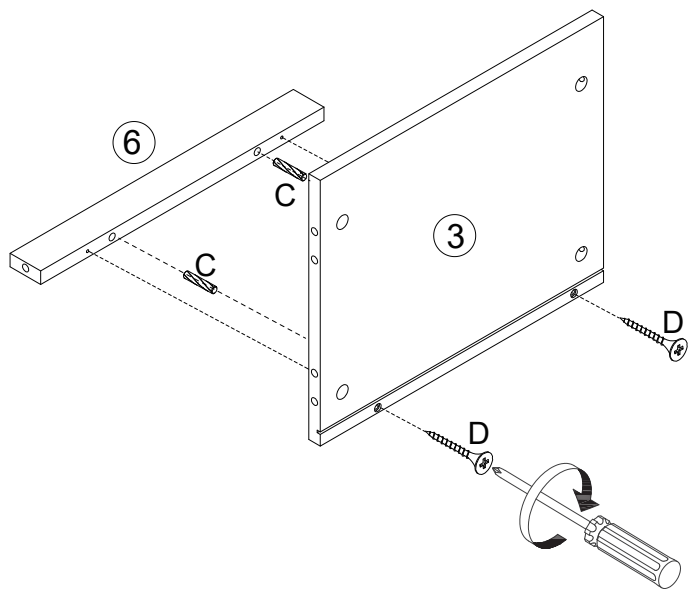


Step 3:

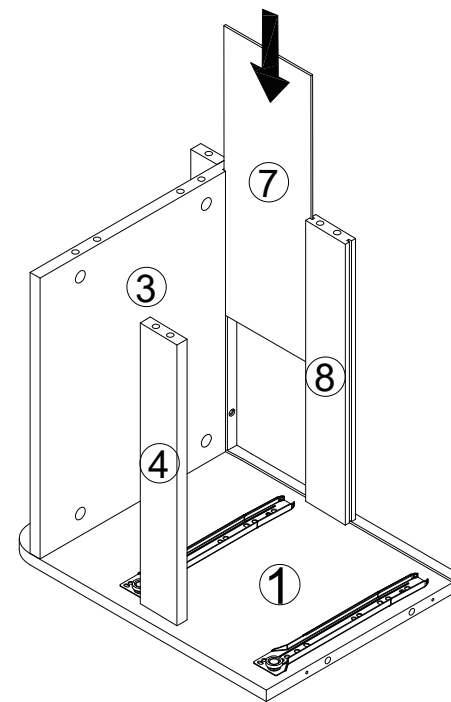
Cx2



Dx2
4x35mm



Step 5:

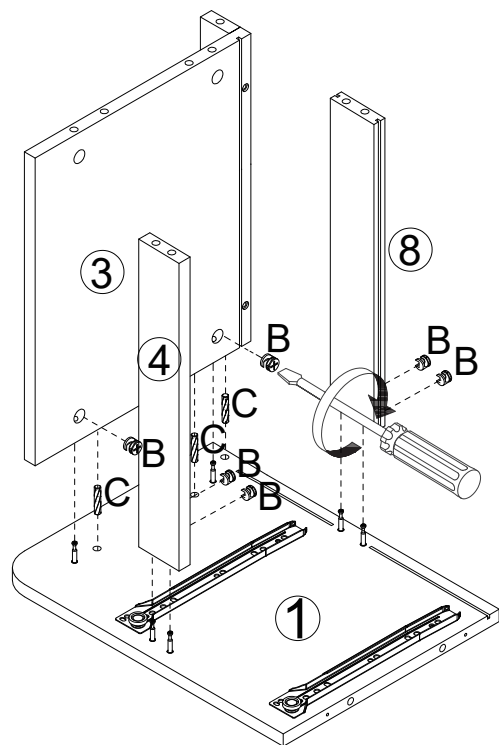


Step 4:

Bx6



Cx3

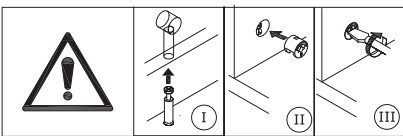
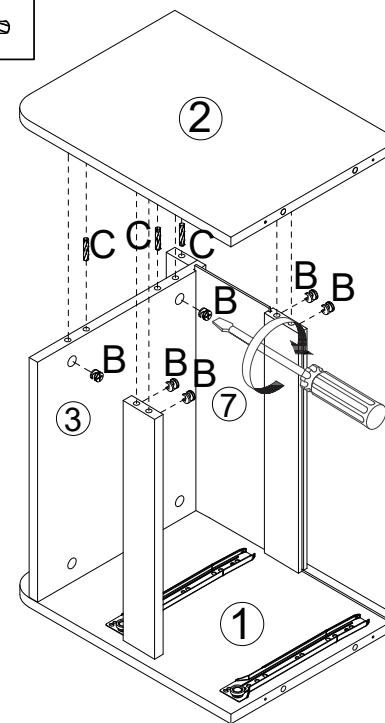


Step 6:

Bx6



Cx3

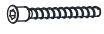


Step 7:

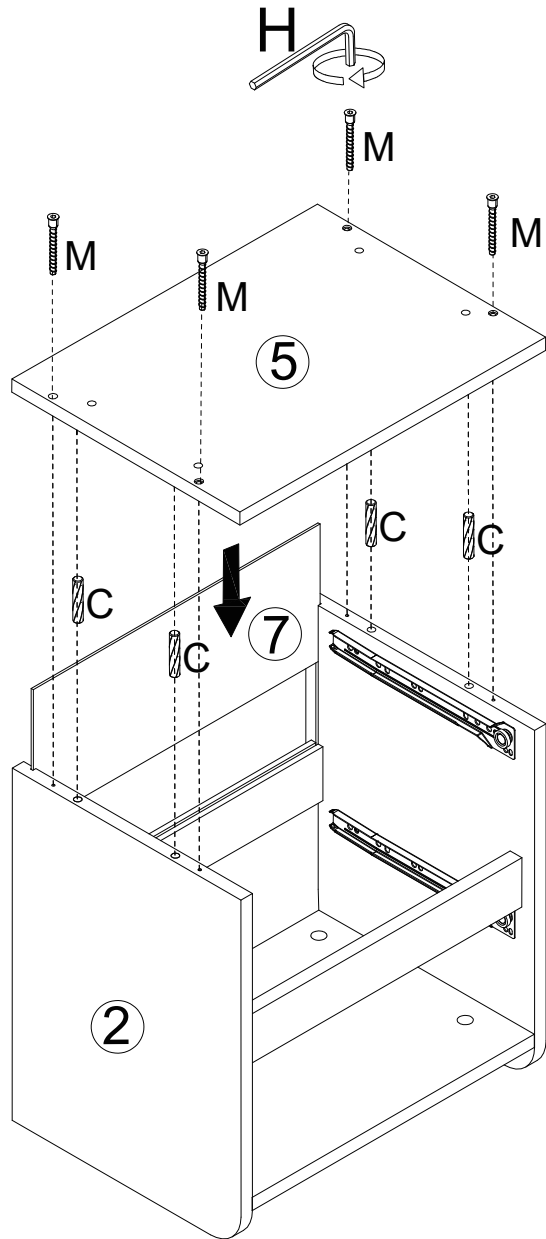
Cx4



Mx4
7x40mm



Hx1



Step 8:

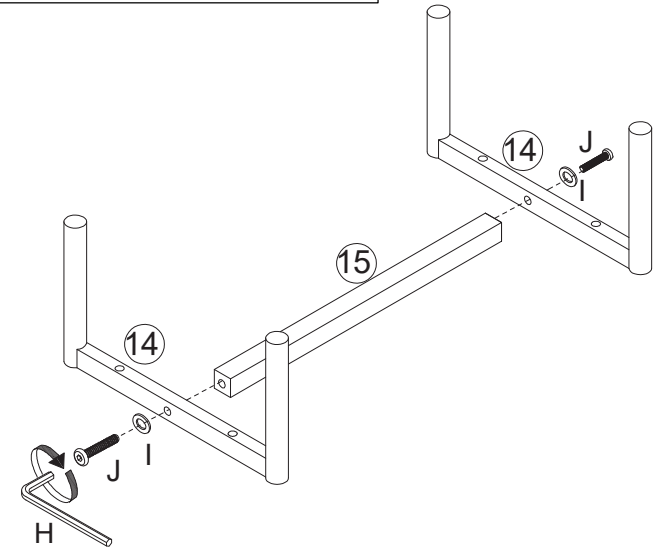
Jx2



Ix2



Hx1



Step 9:

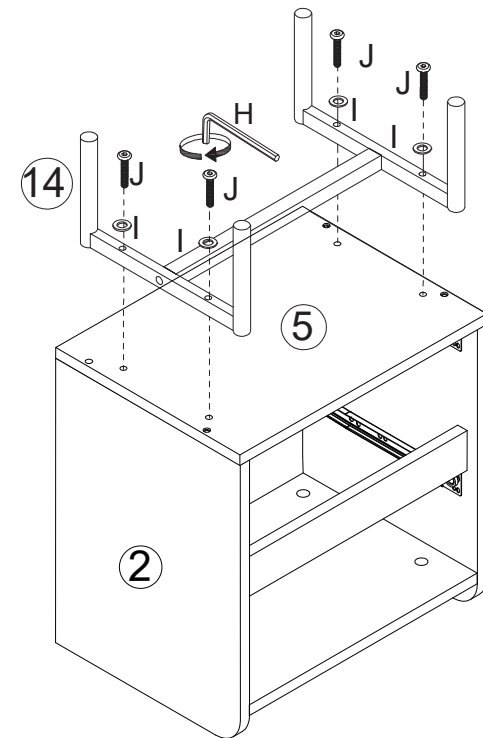
Jx4



Ix4

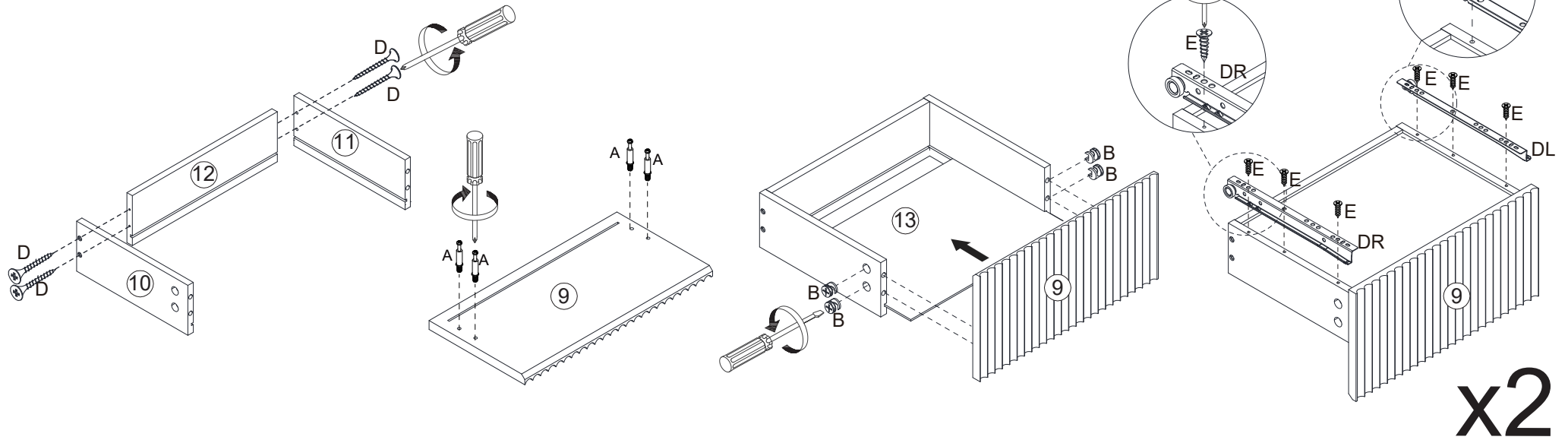


Hx1



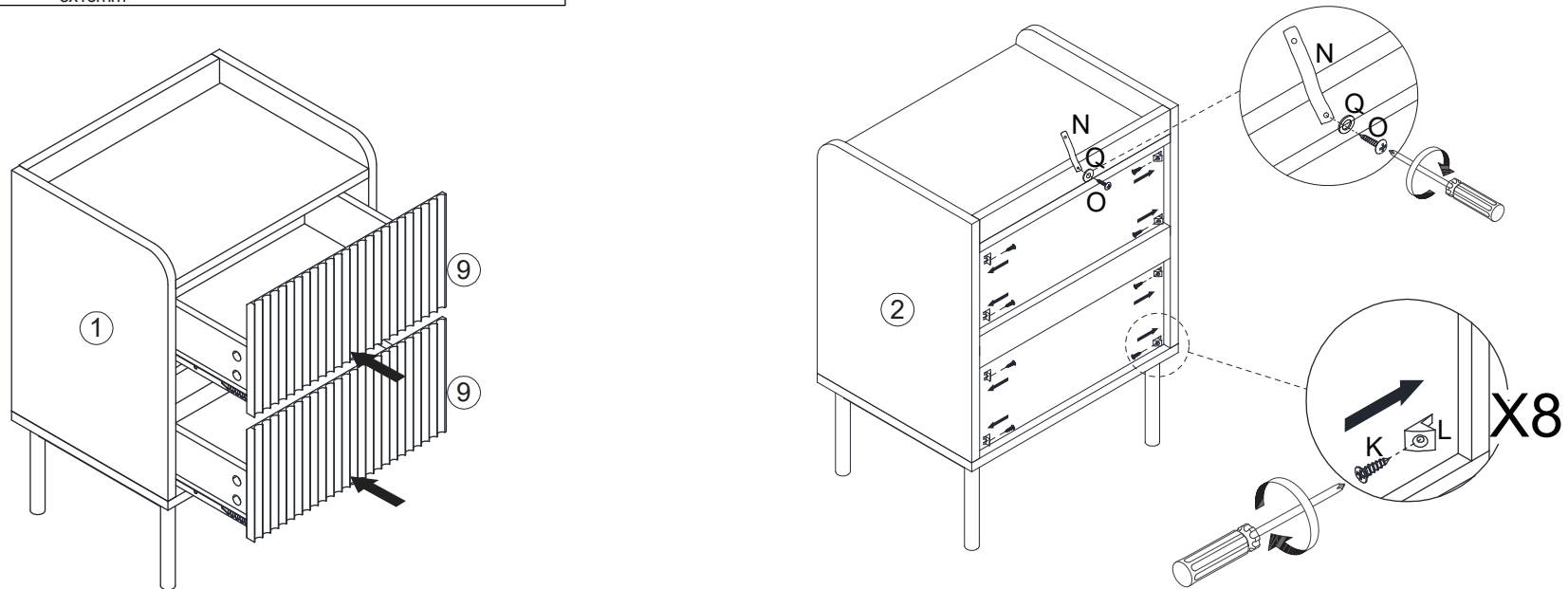
Step 10:

Ax8  Bx8  Dx8  4x35mm Ex12  3x12mm DLx2  DRx2 



Step 11:

Qx1  Kx8  3x16mm Lx8  Nx1  Ox1  4x12mm



Step 12:

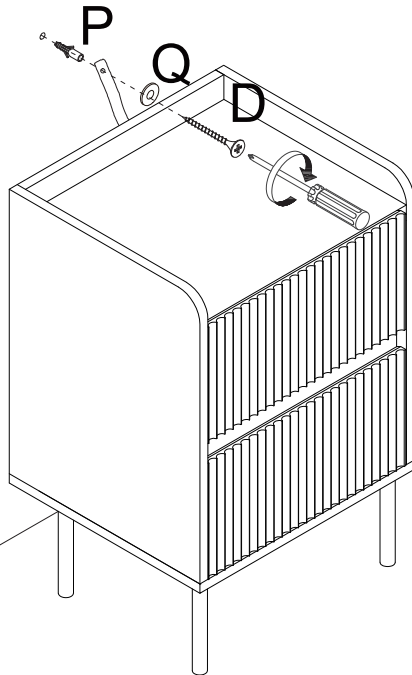
P x 1



D x 1



Q x 1



TOPPLING FURNITURE WARNING:

- ALWAYS secure it with an anchor device.
- Please seek professional advice if you are in doubt of what fixing device to use.
- Regularly check that anchors are securely maintained.
- Use safety drawer locks to prevent children climbing.
- Stability of tall items may be affected by thick pile carpet or uneven floors .
- Do not place unanchored televisions on furniture.

CAUTION: for your safety when attaching the anchor fixings, please note the following:

- Check any electrical wires or plumbing inside the wall before drilling any holes (if you are unsure please seek professional advice from a qualified tradesperson).



⚠ WARNING	
Children have died from furniture tipover.	
<ul style="list-style-type: none">· ALWAYS secure it with an anchor device.· NEVER allow children to stand, climb or hang on drawers, doors, or shelves.· NEVER open more than one drawer at a time.· Place heavy items down low.· Furniture type is at risk of toppling over.	
NEVER put a TV on this furniture	
This is a permanent label. Do not remove!	