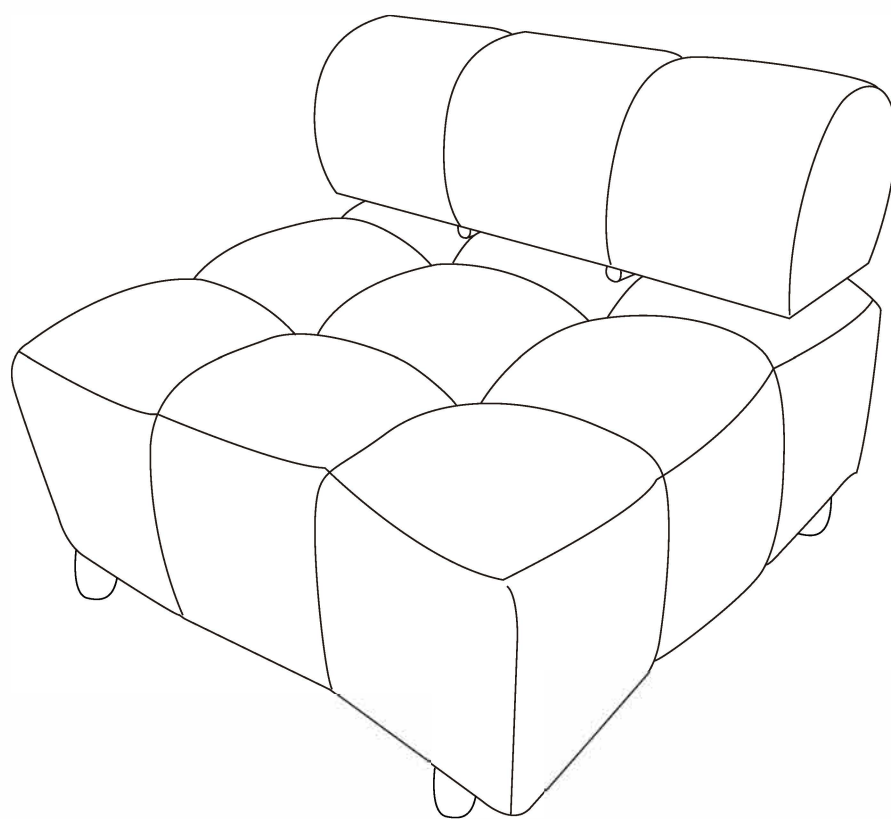


Mali Lounge Chair

Instruction Manual



The photos and illustrations shown in this instruction manual are generic.
The manufacturer reserves the right to change any specification or feature without prior notice.

IMPORTANT: KEEP FOR FUTURE REFERENCE. READ CAREFULLY.

Assembly Instructions

43678396 Mali Lounge Chair

CARE INSTRUCTIONS:

WIPE CLEAN WITH A SOFT DAMP CLOTH.

DO NOT USE ABRASIVE MATERIAL AND SOLVENTS.

SPOT CLEAN IF NEEDED.

KEEP AWAY FROM WATER AND DIRECT SUNLIGHT.

STORE IN A DRY PLACE.

WARNING:

DO NOT STAND ON THIS CHAIR.

DO NOT USE THIS CHAIR AS A STEP LADDER.

USE THIS PRODUCT FOR SEATING ONE PERSON AT A TIME.

DO NOT USE THIS CHAIR UNLESS ALL BOLTS, SCREWS AND KNOBS ARE FIRMLY SECURE.

DO NOT TIGHTEN THE SCREWS FULLY DURING ASSEMBLY, FULLY TIGHTEN SCREWS AFTER THE FINAL ASSEMBLY STEPS.

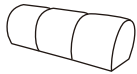
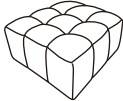



CHECK AND TIGHTEN ALL PARTS REGULARLY.

FOR INDOOR AND DOMESTIC USE ONLY.



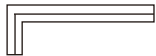
FAILURE TO FOLLOW THESE WARNINGS COULD RESULT IN SERIOUS INJURY.

MAXIMUM SAFE LOAD: 100KG

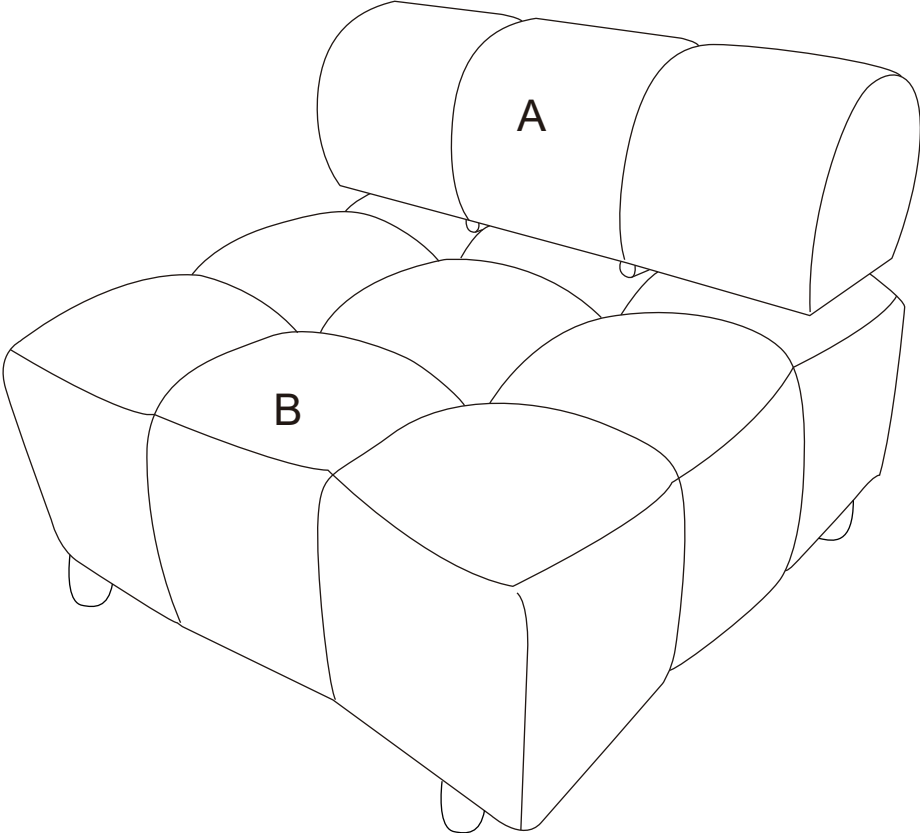
1 Parts List

A		1PC	B		1PC
C		2PCS	D		4PCS
E		4PCS			

2 Hardware List

F		M6x45mm	5PCS	G		M6x25mm	9PCS
H		M6	1PC				

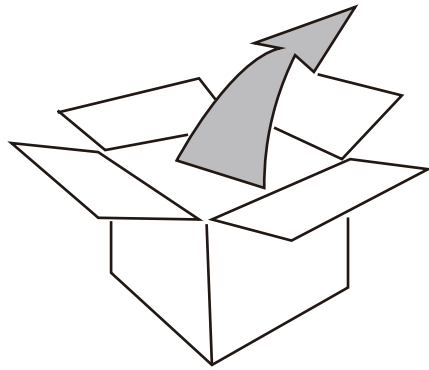
PANEL LAYOUT



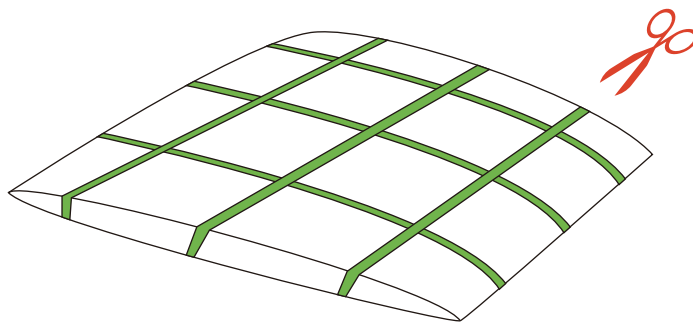
3

ASSEMBLY INSTRUCTIONS

STEP-1

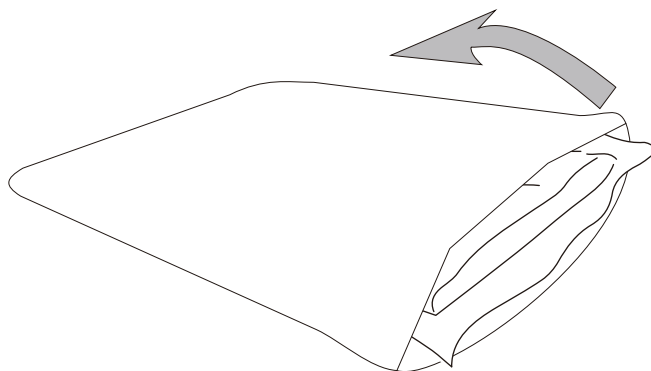


Use scissors to cut the cable ties one by one.



ASSEMBLY INSTRUCTIONS

STEP-2

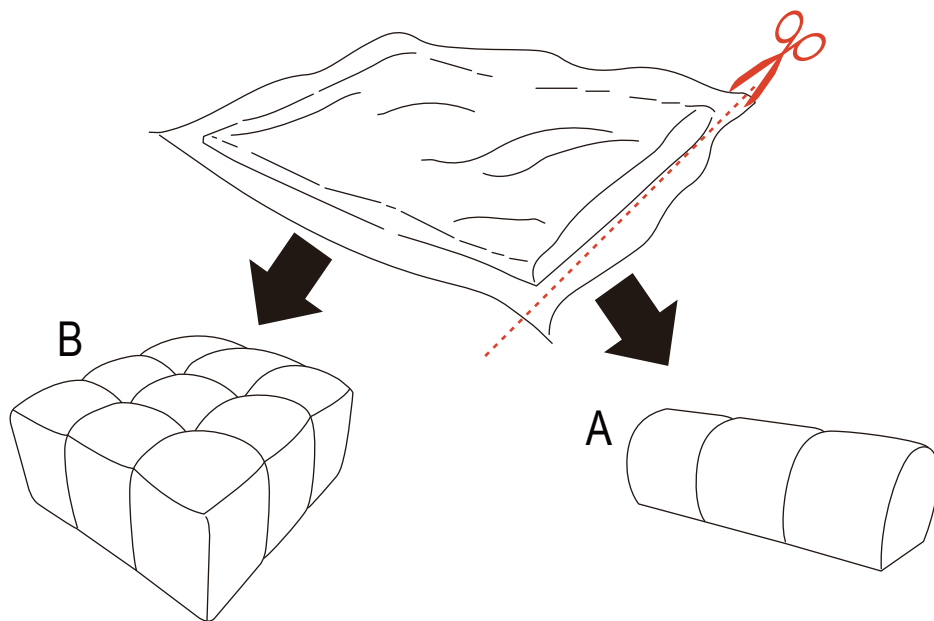


Peel off the woven plastic sack that is wrapped around the product.

ASSEMBLY INSTRUCTIONS

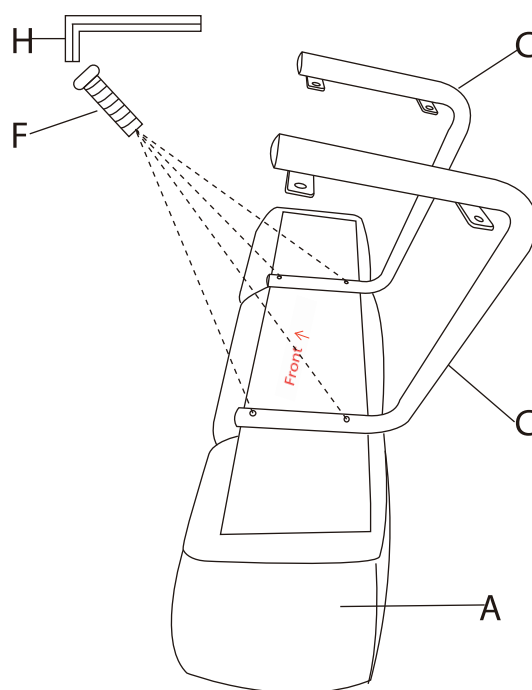
STEP-3

Be careful not to scratch the product when using scissors



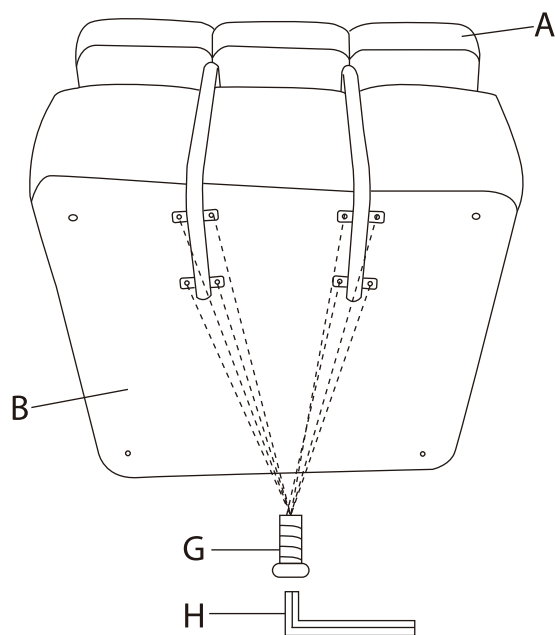
ASSEMBLY INSTRUCTIONS

STEP-4



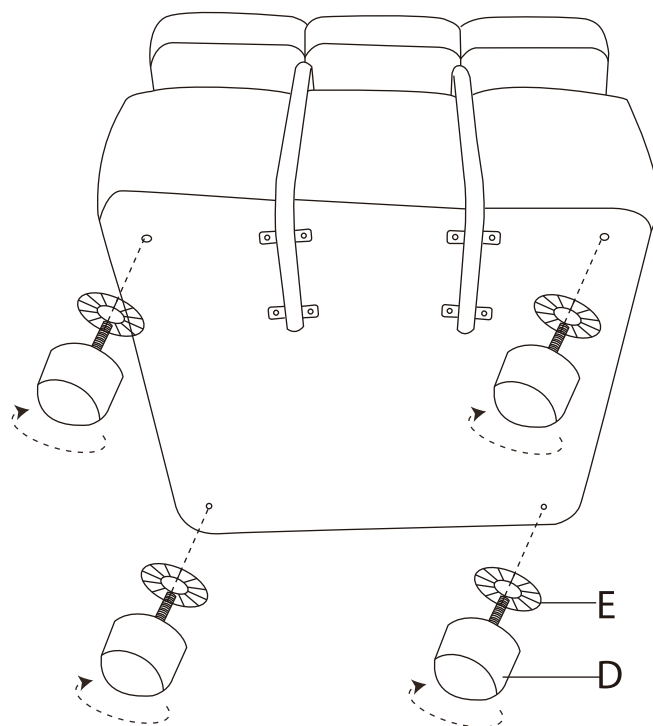
ASSEMBLY INSTRUCTIONS

STEP-5

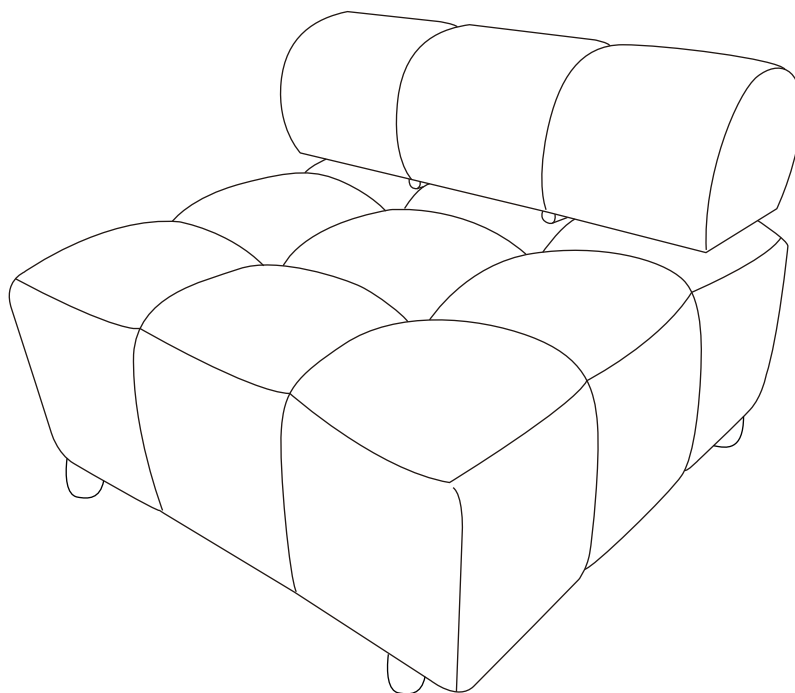


ASSEMBLY INSTRUCTIONS

STEP-6



ASSEMBLY INSTRUCTIONS



Notice : After assembly, place them in somewhere dry and ventilated. After about 72 hours it can be restored to the best use condition.