

148 mm

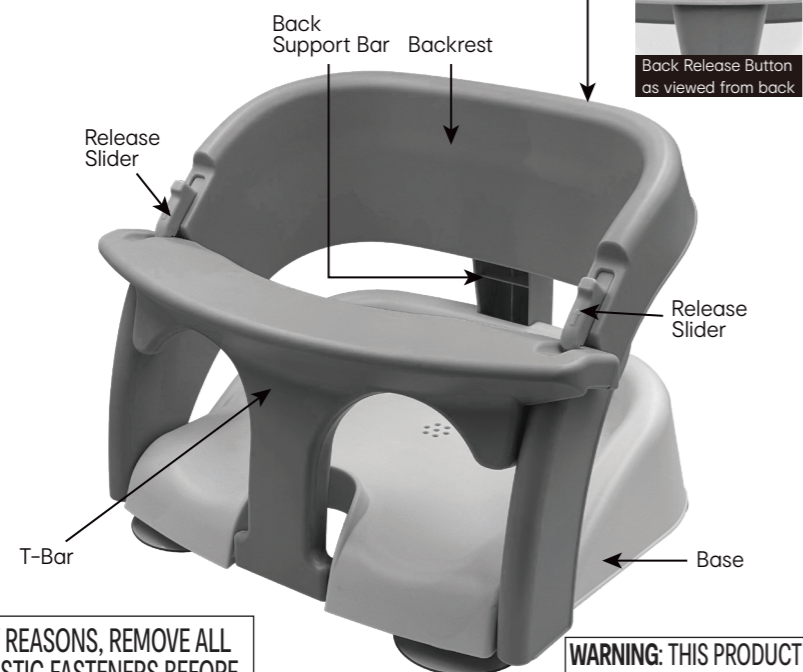
anko

# Bathtub Seat Instruction Manual

6-10 months

13 kg

MAXIMUM WEIGHT OF CHILD



**WARNING:** FOR SAFETY REASONS, REMOVE ALL TAGS, LABELS AND PLASTIC FASTENERS BEFORE GIVING THIS PRODUCT TO YOUR CHILD.

**WARNING:** THIS PRODUCT SHALL BE USED ON A FLAT AND SMOOTH BATHTUB SURFACE.

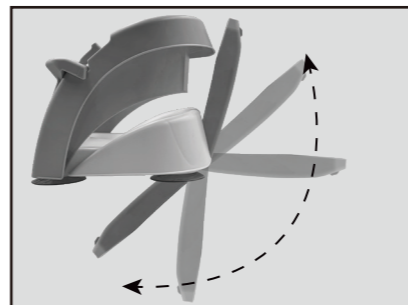
**WARNING**

Children have **DROWNED** while using bath aids. This is **NOT** a safety device. **ALWAYS** keep baby within arm's reach. **NEVER** leave baby in care of children.

The illustrations shown in this manual are for reference only. Actual product may vary slightly. The manufacturer reserves the right to change any specification or feature without prior notice.

**IMPORTANT! PLEASE READ CAREFULLY BEFORE USE AND KEEP FOR FUTURE REFERENCE.**

## Unfold:

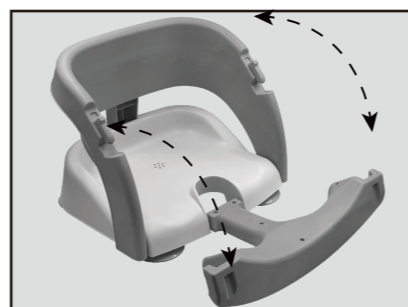


1. Take the back support bar out from under the base, then lift it up.



2. Insert the back support bar into the hole on the backrest. Push down into place until you hear a click sound. Ensure the 4 suction cups are firmly secured to your bathtub by pulling and pushing the bathtub seat.

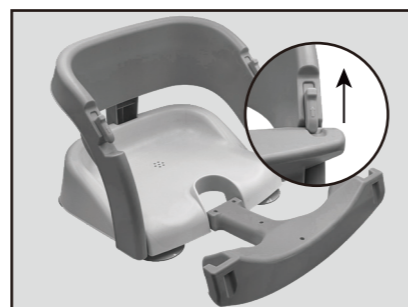
**WARNING:** THE BATHTUB SEAT SHALL BE USED ON A FLAT AND SMOOTH BATHTUB SURFACE.



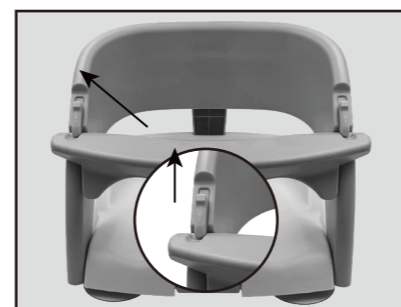
3. Press and hold the release slider on both sides and push upwards to open the front T-bar. Place baby in bathtub seat.

**WARNING:** BEFORE PLACING YOUR BABY IN BATHTUB SEAT, ENSURE BABY'S THIGHS FIT COMFORTABLY THROUGH THE LEG OPENINGS. DO NOT USE BATHTUB SEAT IF BABY'S THIGHS ARE TOO LARGE TO MOVE FREELY.

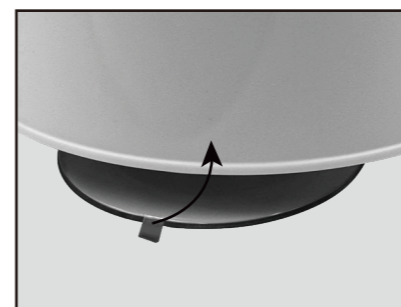
## Fold up:



1. Press and hold the release slider on both sides and push upwards, laying down the front T-bar.



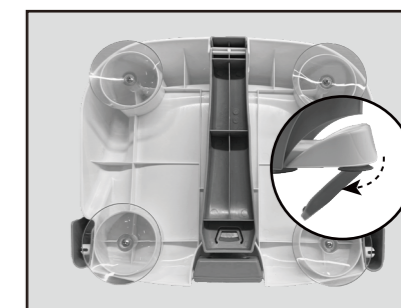
4. Hold baby on the seat area. Lift the T-bar, press and push both release sliders upwards to lock the T-bar with a click sound.



2. Release all 4 suction cups from the bathtub surface.



3. Press the back release button to disengage the back support bar.



4. Fold the back support bar under the base.

## Safety Check:



**NOTE:** ENSURE THAT THE RELEASE SLIDERS ARE SECURELY ENGAGED BY PULLING ON THEM BEFORE USING THE BATHTUB SEAT.

**WARNING - DROWNING HAZARD.**

- › CHILDREN HAVE DROWNED WHILE USING BATH AIDS.
- › CHILDREN CAN DROWN IN AS LITTLE AS 2CM OF WATER IN A VERY SHORT TIME.
- › ALWAYS BATHE YOUR INFANT USING AS LITTLE WATER AS NECESSARY.
- › ALWAYS REMAIN IN CONTACT WITH YOUR CHILD DURING BATHING.
- › NEVER LEAVE YOUR BABY UNATTENDED IN THE BATHTUB, EVEN FOR A FEW MOMENTS.
- › IF YOU NEED TO LEAVE THE ROOM, TAKE THE BABY WITH YOU.
- › DO NOT ALLOW OTHER CHILDREN (EVEN OLDER) TO ACT AS A SUBSTITUTE FOR ADULT SUPERVISION.
- › BABIES CAN DROWN EVEN WHEN OTHER CHILDREN ARE IN OR NEAR THE BATHTUB.

**WARNING:**

- › TO AVOID SCALDING BY HOT WATER, POSITION THE BATHTUB SEAT IN SUCH A WAY TO PREVENT YOUR CHILD FROM REACHING THE SOURCE OF WATER.
- › CHECK THE TEMPERATURE OF THE WATER SURROUNDING THE BATHTUB SEAT PRIOR TO PLACING THE CHILD INTO THE PRODUCT. THE TYPICAL WATER TEMPERATURE FOR BATHING A CHILD IS BETWEEN 35 °C AND 37.8 °C.
- › ALWAYS ENSURE THE SUCTION CUPS ARE WELL ADHERED TO THE BATHTUB.
- › DO NOT USE THIS PRODUCT ON A BATHTUB WITH AN UNEVEN SURFACE.
- › DO NOT USE THE PRODUCT IF ANY COMPONENTS ARE DISASSEMBLED, BROKEN OR MISSING.
- › DO NOT USE REPLACEMENT PARTS OTHER THAN THOSE APPROVED BY THE MANUFACTURER OR DISTRIBUTOR.
- › THIS PRODUCT CAN ONLY BE USED WHEN YOUR CHILD IS ABLE TO SIT UP UNAIDED AND UP TO WHEN YOUR CHILD TRIES TO STAND UP BY ITSELF.
- › PRODUCT IS SUITABLE FOR BABIES ABLE TO SIT UP UNASSISTED (APPROXIMATELY 6 MONTHS OF AGE).
- › SUCTION CUPS WILL ONLY PROPERLY ADHERE TO A SMOOTH CLEAN SURFACE.
- › ENSURE ALL SUCTION CUPS ARE SECURELY ATTACHED TO THE BATHTUB BY PULLING ON EACH CONNECTION. CHECK FOR SECURE FIT BEFORE EACH USE.

**MAINTENANCE AND CLEANING:**

- › WASH BEFORE FIRST USE AND EACH SUBSEQUENT USE.
- › WASH WITH MILD SOAP AND WATER.
- › DO NOT USE ABRASIVE PADS OR CLEANERS SUCH AS BLEACH.
- › DAMAGE MAY RESULT.

**ADULT ASSEMBLY AND SUPERVISION REQUIRED.** PRODUCT MAY VARY SLIGHTLY FROM IMAGE SHOWN. PLEASE KEEP THE PACKAGING FOR FUTURE REFERENCE.

**MADE IN CHINA**  
**CUSTOMER SERVICE:**  
 KMART AU: 1800 124 125  
 KMART NZ: 0800 945 995  
 TARGET AU: 1300 753 567

K: 43-655-014 | T: 71-899-374

210 mm