









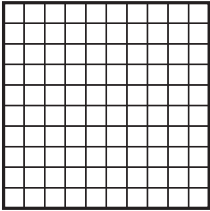




6+
years

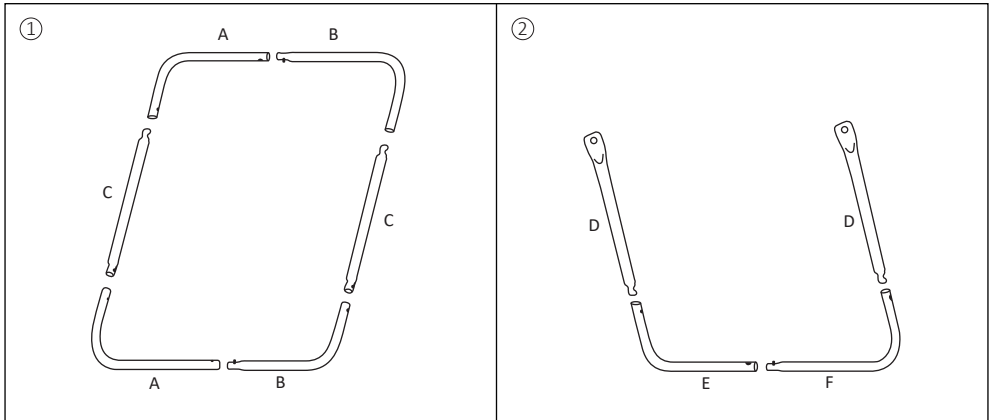
REBOUND NET

Instructions

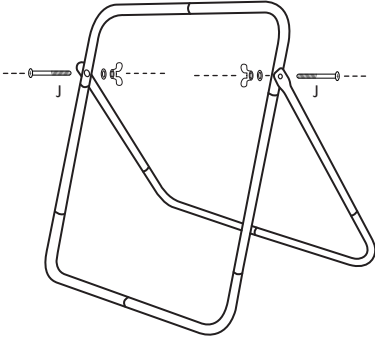
Contents:

			
A: 2 x Metal tubes(Φ25mm)	B: 2 x Metal tubes(Φ25mm)	C: 2 x Metal tubes	D: 2 x Metal tubes
			
E: 1 x Metal tube(Φ22mm)	F: 1 x Metal tube(Φ22mm)	G: 2 x Right & left adaptors	H: 24 x Hooks
			
I: 4 x Ground pegs	J: 6 x Screws	K: 1 x Rebound net	L1: 2 x Stabilizer pads
			
			L2: 2 x Stabilizer pads

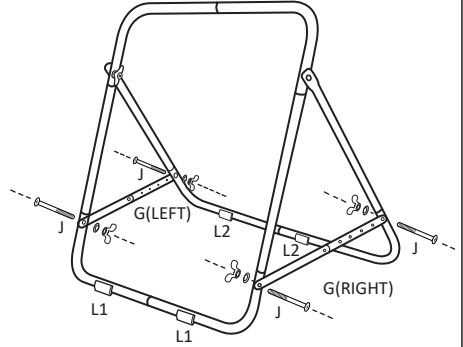
Assembly Instructions:



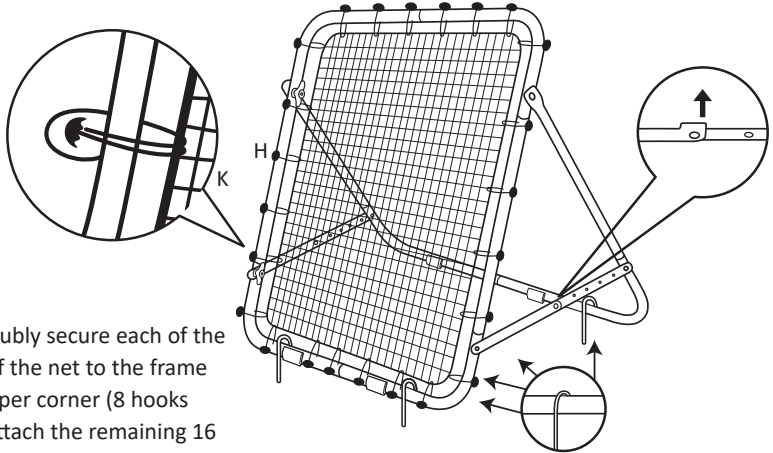
③



④



⑤



Note: First, doubly secure each of the four corners of the net to the frame using 2 hooks per corner (8 hooks total). Then, attach the remaining 16 hooks around the frame.

43-651-801

MADE IN CHINA

CUSTOMER SERVICE:

KMART AU: 1800 124 125

KMART NZ: 0800 945 995

TARGET AU: 1300 753 567



WARNING:

CHOKING HAZARD - SMALL PARTS NOT FOR CHILDREN UNDER 3 YEARS.

WARNING: REQUIRES ADULT ASSEMBLY ONLY. USE ONLY UNDER ADULT SUPERVISION.