

## Cleaning & Maintenance:

- 1) Turn the light off before you start cleaning it.
- 2) Do not immerse the appliance in water. Clean the light surface with a dry cloth .
- 3) Do not use any lubricant, detergent, polishing agents, alcohol, steel wool, abrasive cleansers, chemicals or corrosive liquids on this light.

## Battery and light disposal:

1. This light has a lithium battery. Batteries contain substances harmful to our environment, please do not dispose of the light containing batteries with the normal household waste, instead hand it over to an official recycling point.

## 2.Trouble Shooting

Problem	Possible Cause	Solution
LED Light is not bright enough or it does not turn on	The battery is running low or is out of power	Charge the light as guided

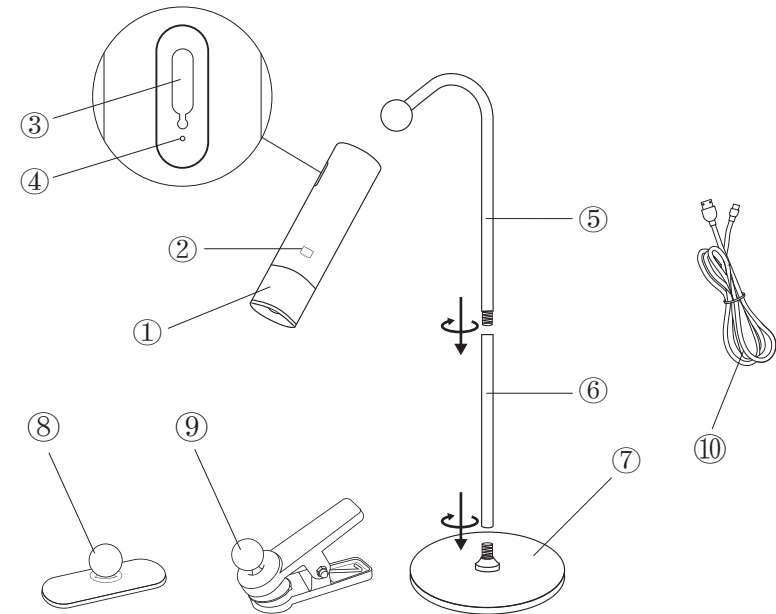
# anko

4 IN 1 RECHARGEABLE LIGHT

K: 43645473 | T: 71832326

SLR-25987

## INSTRUCTION MANUAL



## Product Description:

- ① Light body
- ② ON/OFF touch switch
- ③ Charging port
- ④ Charging indicator light
- ⑤ Bend tube for desk light
- ⑥ Straight tube for desk light
- ⑦ Base for desk light
- ⑧ Wall mounting for wall light
- ⑨ Clip mounting for clip light
- ⑩ USB cable

## Safety Instructions:

To ensure proper operation of this light, please read this instruction manual carefully before you use the light and save it for further reference.

### ⚠ WARNING

- Check the light before you use it, do not use the light if it has any crack, gap or any other damage.
- Do not attempt to repair, disassemble, or modify the light by yourself to avoid accidents.
- The light source of this luminaire is not replaceable; when the light source reaches its end of life the whole luminaire shall be replaced.
- Do not stare into the LED beam.
- This product is not suitable for household room illumination. Only used as decorative light.
- The product is intended to be used in moderate climates only. Do not use in tropical or very humid climates.
- Children must not use this product without adult supervision.
- Do not charge the product for long time. Plug off the charging cable after fully charged

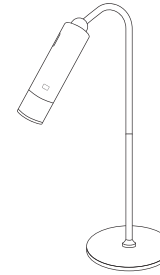
### ⚠ CAUTION

- This light has a lithium battery. Do not place or store the light for long periods of time in a hot or humid environment. If you do not intend to use the light for a long time, store the light after is fully charged.
- Do not use while charging.
- This light contains battery and LED lights that are non-replaceable.
- Ensure charging power used is compatible with a 5V DC SELV 1A, 5W rating.

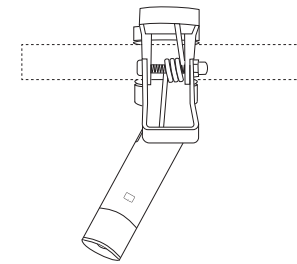
## Specifications:

- Charging Voltage / Current: 5V  $\overline{\text{---}}$  / 1A 5W
- Type of Battery: 18650 Li-ion 3.7V 1200mAh
- Ta: 25°C

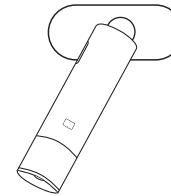
## Assembly Instructions:



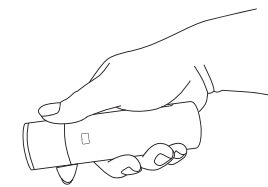
Desk light



Clip light



Wall light



Torch light

Attention: After removing the protective film on the back, it is recommended to install the lamp on a smooth wall or flat glass.

## Using the Appliance:

For better use experience, please read below instructions carefully:

1. Fully charged the product before use.
2. The charging indicator light will be red while charging. After being fully charged, it will turn green.
3. Charging the appliance takes about 3-4 hours, and it can be used continuously for more than 4 hours for the most bright status.
4. Touch the side of the body (touch sensor) to turn on the light, touch in sequence to get different brightness (low - middle - high), press the 4th time to turn off the light.

**WARNING:** ENSURE SECURE ATTACHMENT TO WALL. CONSULT A DIY EXPERT IF REQUIRED.

**WARNING:** THIS PRODUCT CONTAINS SMALL MAGNETS. SWALLOWED MAGNETS CAN STICK TOGETHER ACROSS INTESTINES CAUSING SERIOUS INJURIES. SEEK IMMEDIATE MEDICAL ATTENTION IF MAGNETS ARE SWALLOWED.