

Assembly Instructions








43644650 TIERED UNIT 6 TUBS WHITE

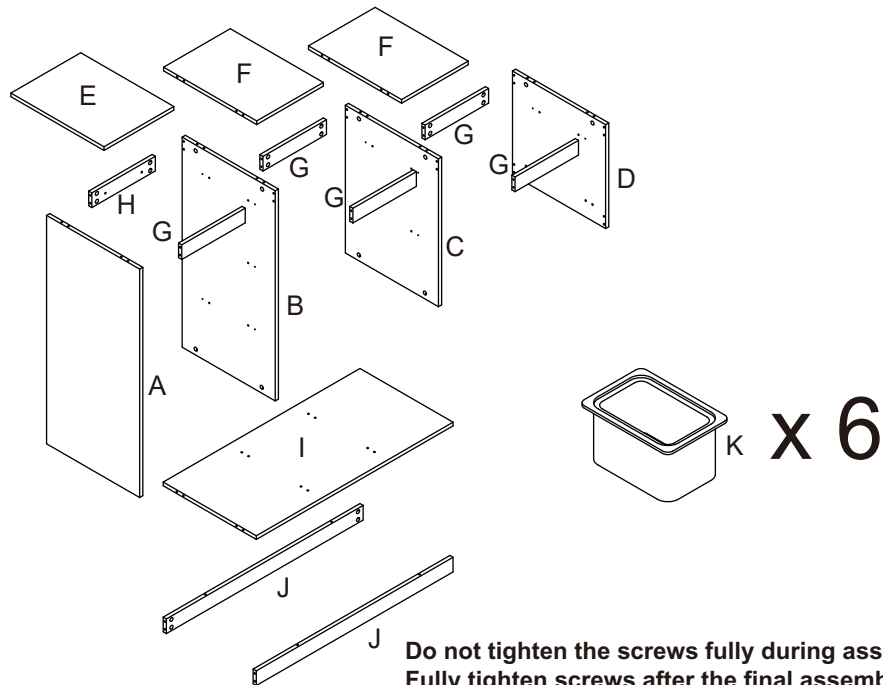
WARNING: DO NOT STAND, SIT OR LEAN ON THE UNIT. DO NOT USE THIS UNIT AS A STEP LADDER. ENSURE THIS UNIT IS USED ONLY ON A FLAT SURFACE. DO NOT USE THIS UNIT UNLESS ALL BOLTS AND SCREWS ARE FIRMLY SECURED. DO NOT PLACE HOT OBJECTS SUCH AS COFFEE CUPS DIRECTLY ON THE SURFACE OF THIS FURNITURE ITEM. THIS ITEM IS FOR STORAGE PURPOSE ONLY. FAILURE TO FOLLOW THESE WARNINGS COULD RESULT IN SERIOUS INJURY. CONTAINS SMALL PARTS. IT IS TO BE ASSEMBLED BY AN ADULT.

CARE INSTRUCTIONS: WIPE CLEAN WITH A SOFT DAMP CLOTH. NEVER USE SCOURERS, ABRASIVES OR CHEMICAL SOLVENTS. KEEP AWAY FROM MOISTURE AND DIRECT SUNLIGHT. STORE IN A DRY PLACE FOR INDOOR USE ONLY.

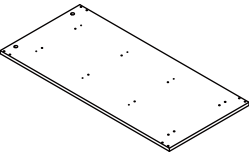
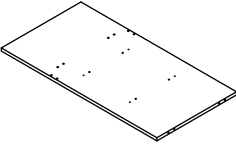
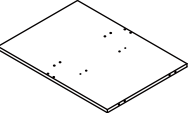
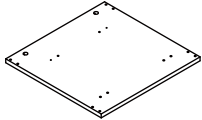
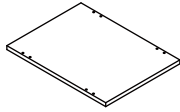
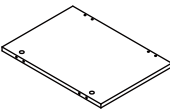
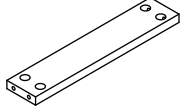
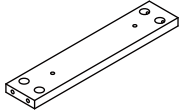
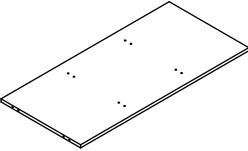
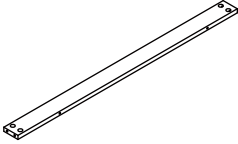
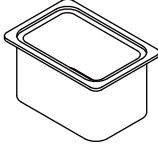
MAXIMUM SAFE LOAD: 10KGS FOR TOP PANEL, 5KGS FOR TUBS, 60KGS IN TOTAL.

Hardware list

	a	6X35mm	52PCS		f	4X40mm	2PCS
	b	15X10mm	52PCS		g		2PCS
	c	8X30mm	24PCS				
	d		12PCS				
	e	3X12mm	24PCS				

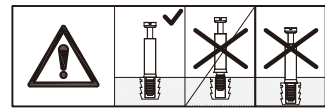
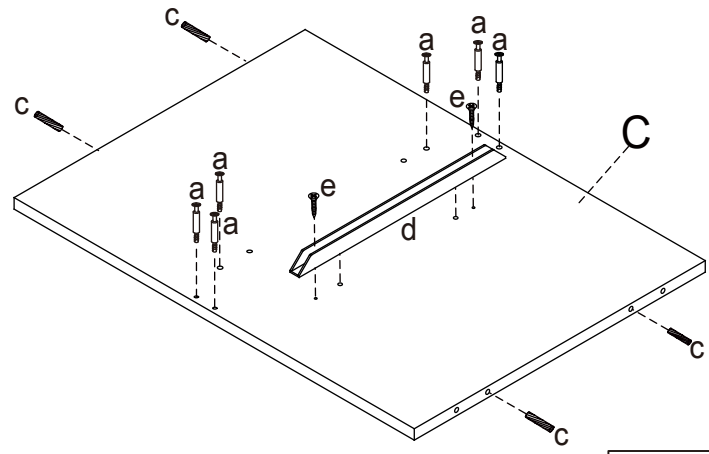


Do not tighten the screws fully during assembly.
Fully tighten screws after the final assembly steps

	A	1 PC		B	1 PC		C	1 PC
	D	1 PC		E	1 PC		F	2 PCS
	G	5 PCS		H	1 PC		I	1 PC
	J	2 PCS		K	6 PCS			

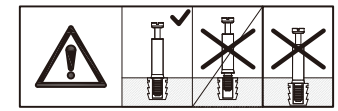
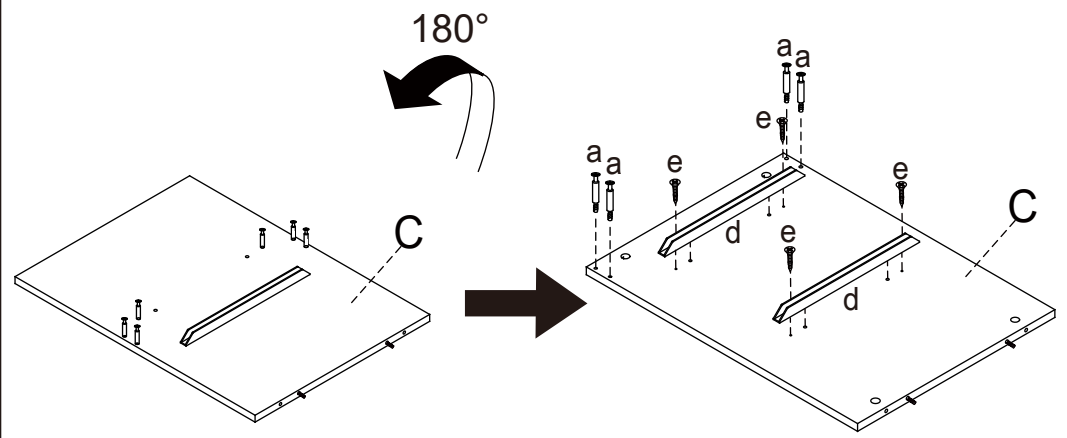
STEP 1

- X6
- X4
- X1
- X2



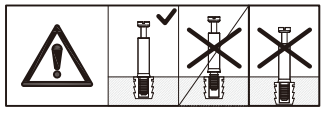
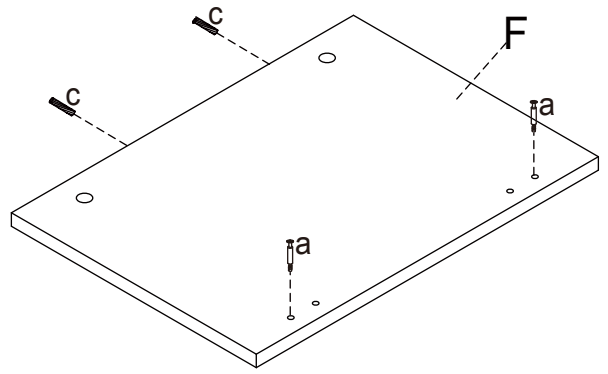
STEP 2

- X4
- X2
- X4



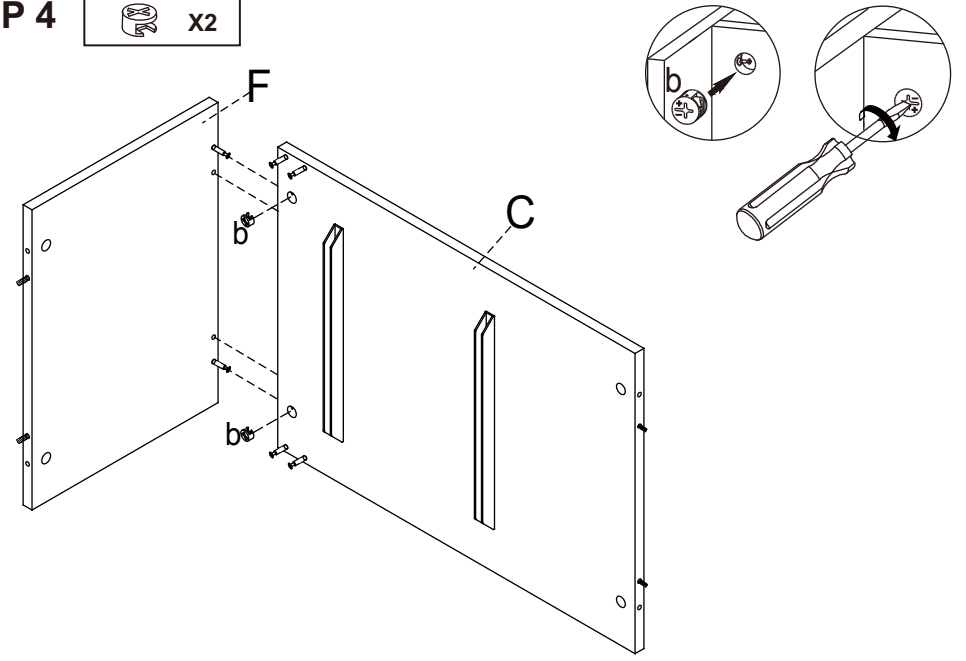
STEP 3

- X2
- X2



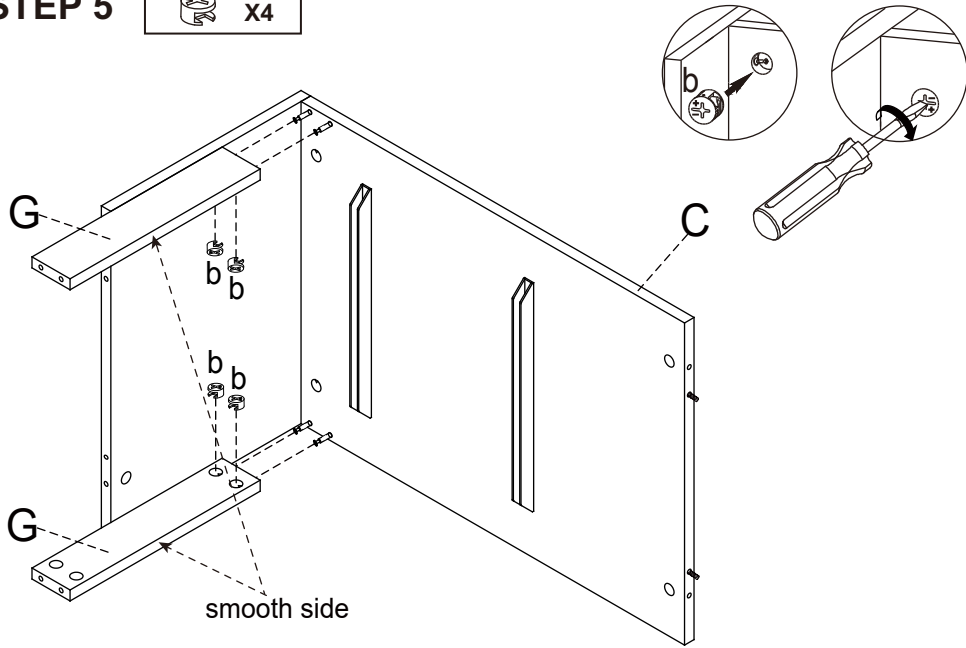
STEP 4

- X2



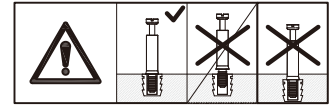
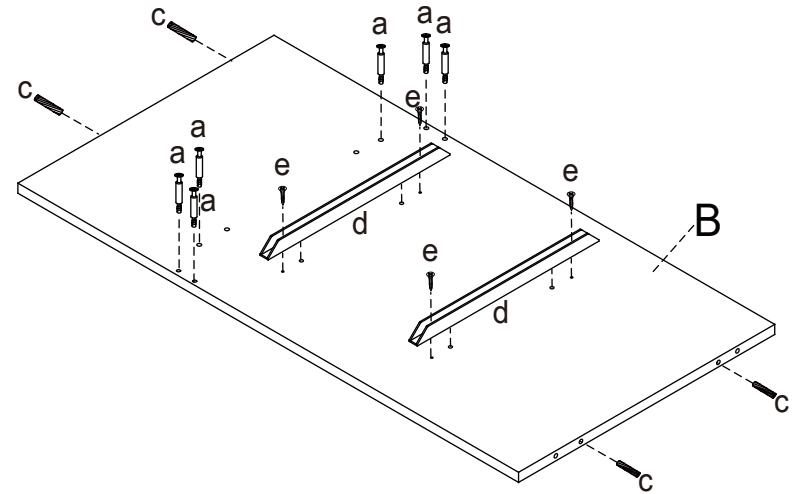
STEP 5

 X4



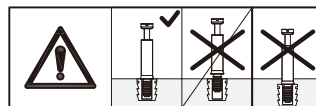
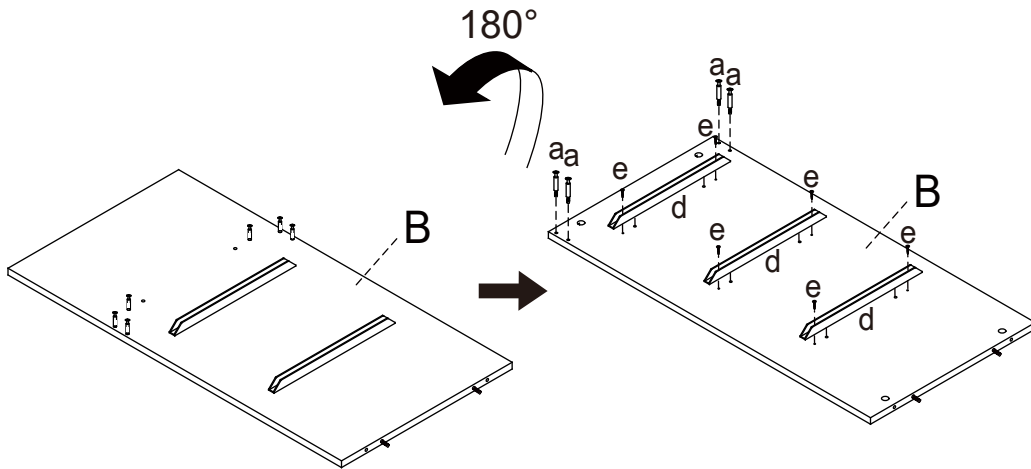
STEP 6

 X6  X4  X2  X4



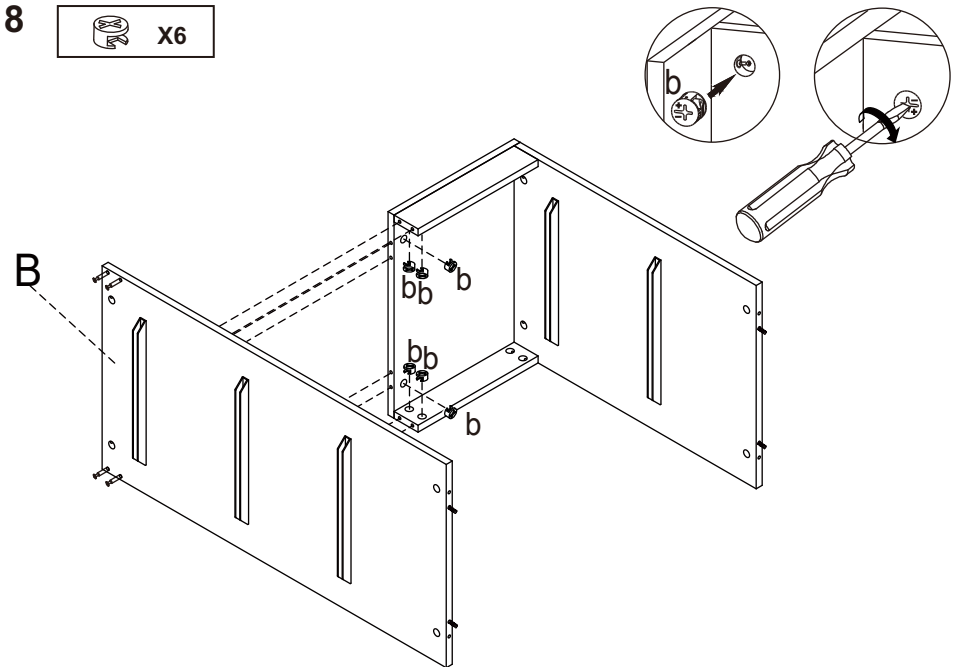
STEP 7

 X4  X6  X3

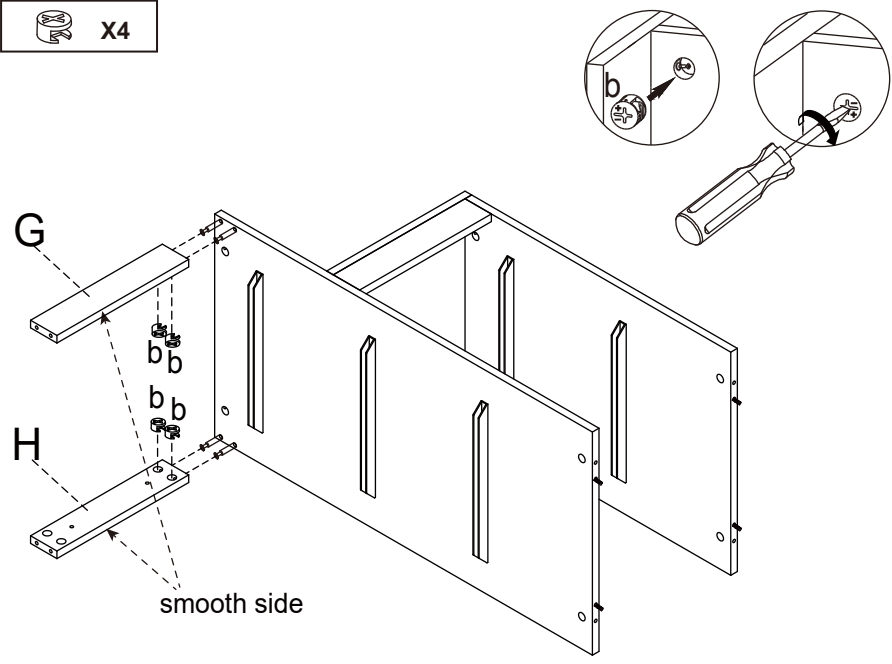


STEP 8

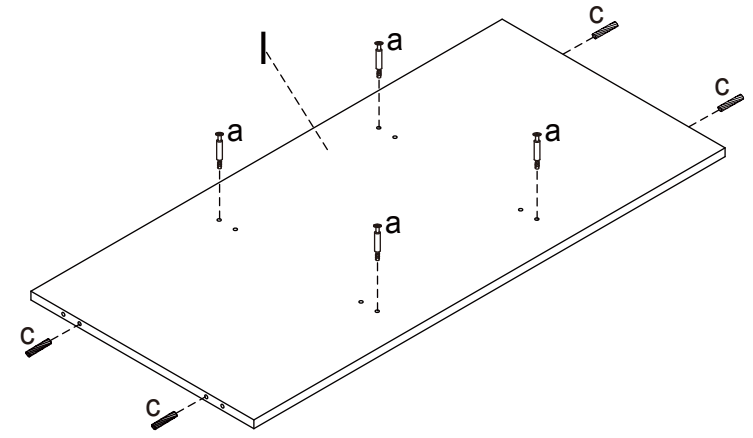
 X6



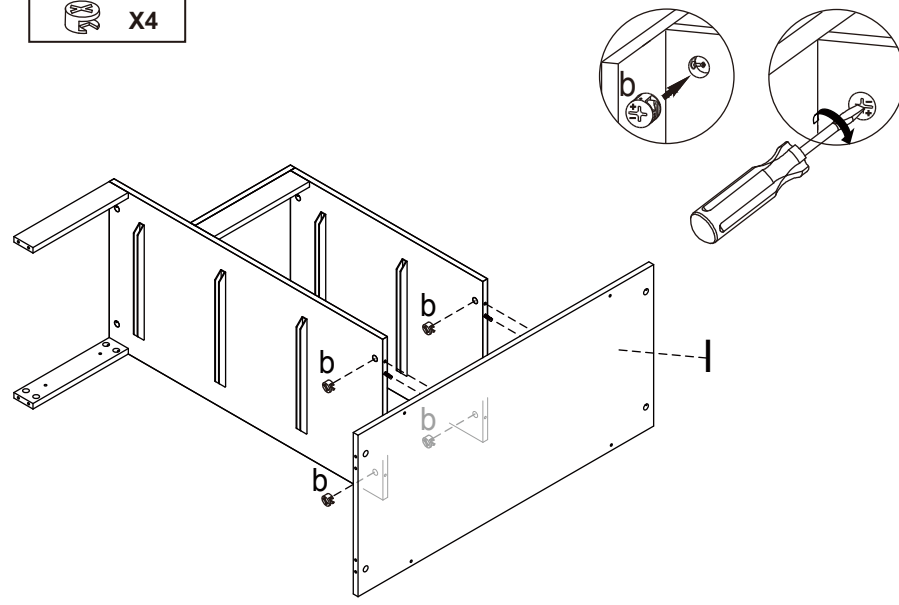
STEP 9  X4



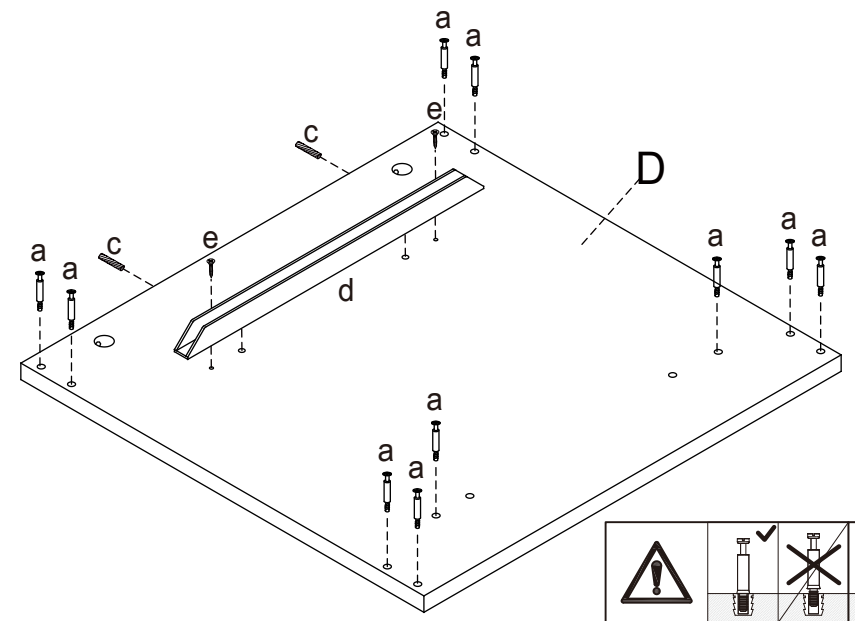
STEP 10  X4  X4



STEP 11  X4

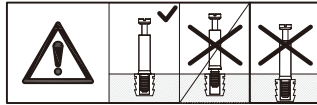
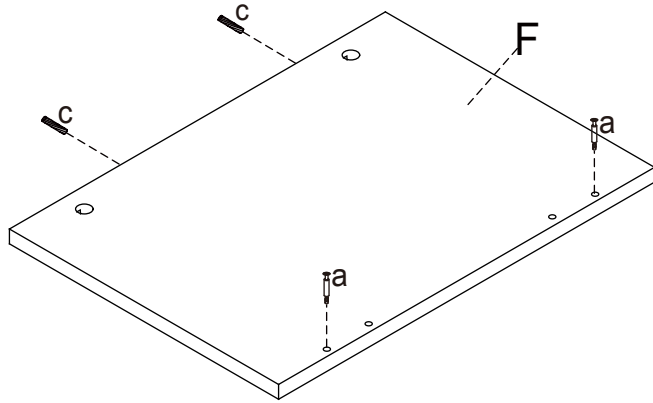


STEP 12  X10  X2  X1  X2



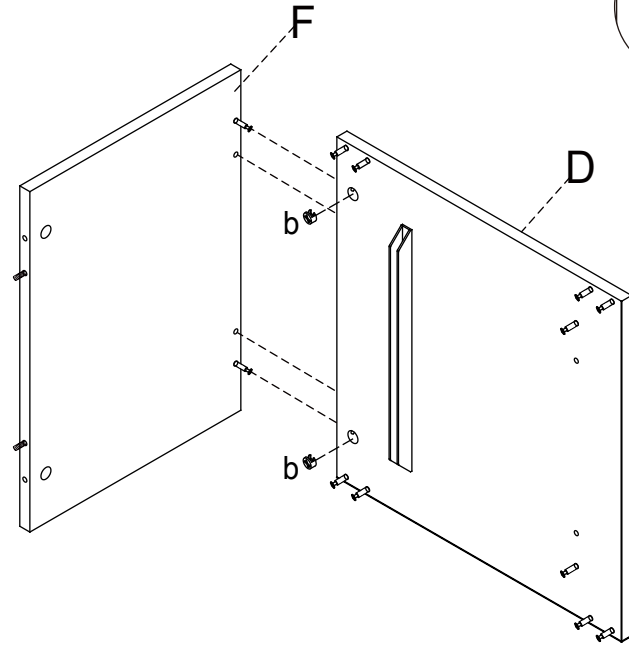
STEP 13

 X2  X2



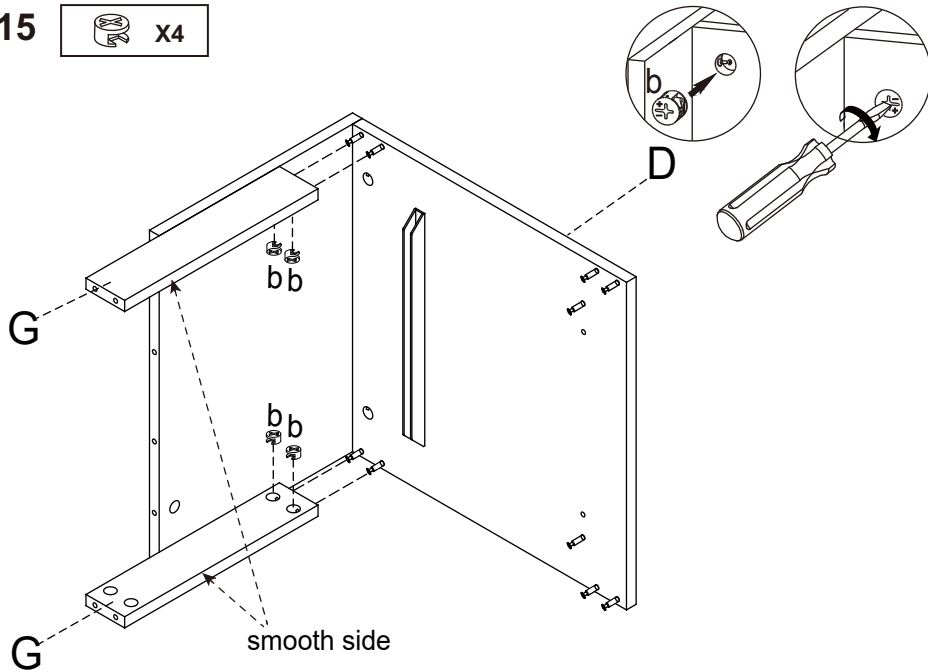
STEP 14

 X2



STEP 15

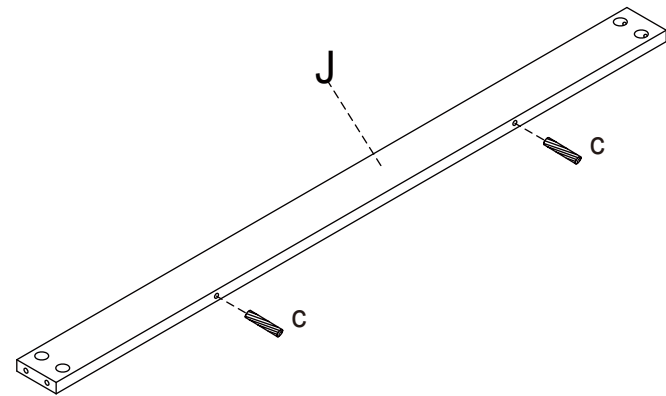
 X4



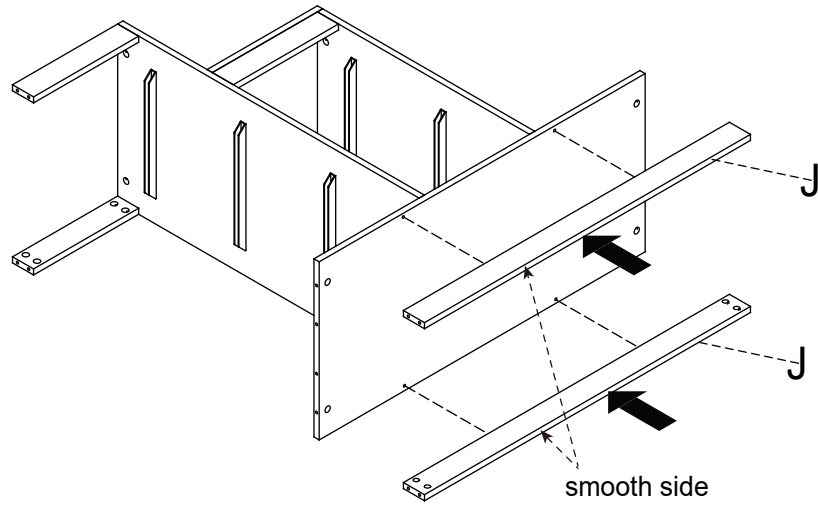
STEP 16

 X4

x2

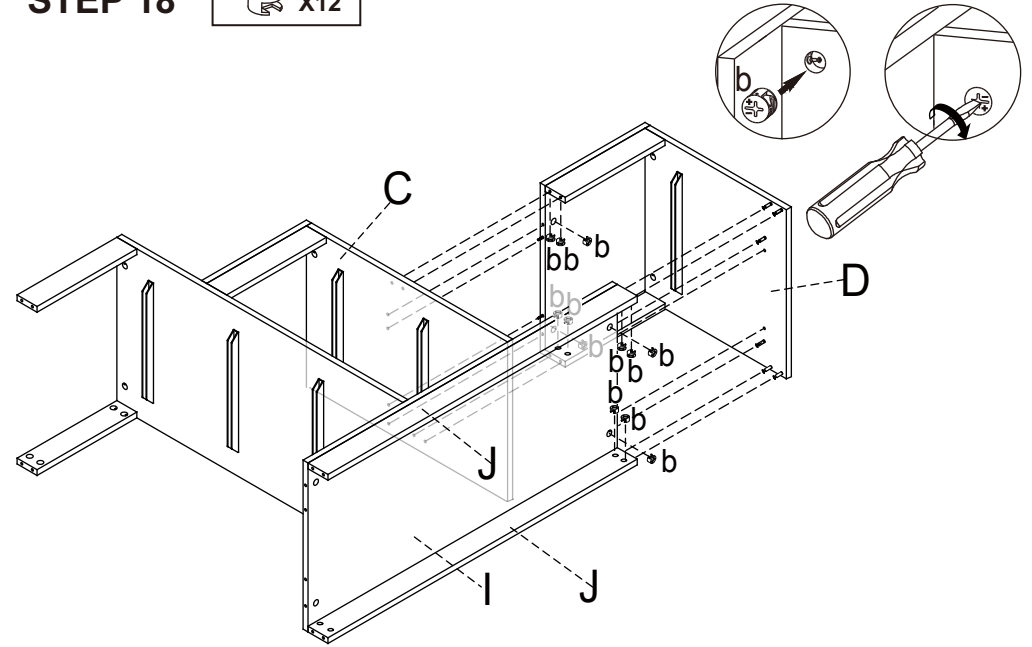


STEP 17







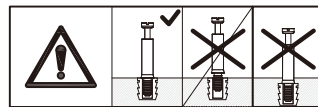
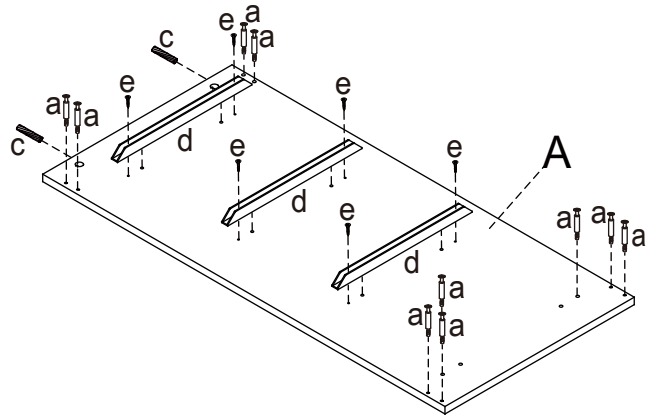
STEP 18

 X12



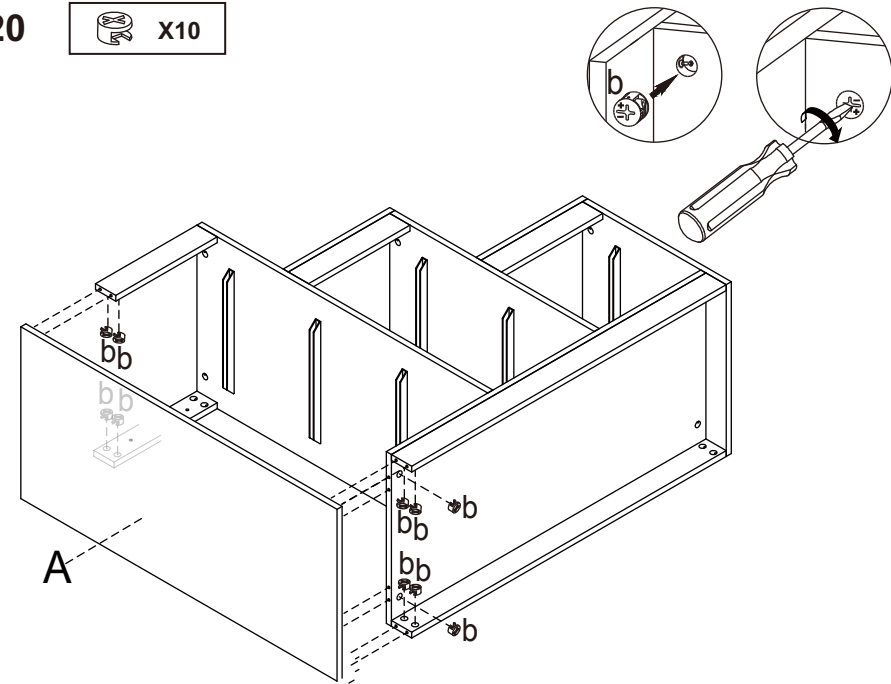
STEP 19

 X10  X2  X3  X6



STEP 20

 X10



STEP 21



Warning:

- ALWAYS secure it with an anchor device.
- Please seek professional advice if you are in doubt of what fixing device to use.
- Regularly check that anchors are securely maintained.
- Use safety drawer locks to prevent children climbing.
- Stability of tall items may be affected by thick pile carpet or uneven floors.
- Do not place unanchored televisions on furniture.

Caution: for your safety when attaching the anchor fixings, please note the following:

- Check any electrical wires or plumbing inside the wall before drilling any holes (if you are unsure please seek professional advice from a qualified tradesperson)

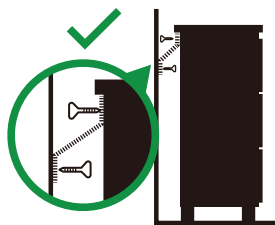


TOPPLING HAZARD

WARNING: PLEASE SECURE YOUR FURNITURE WITH THE SUPPLIED WALL FIXING. SCAN THE CODE FOR MORE INFORMATION.



WARNING



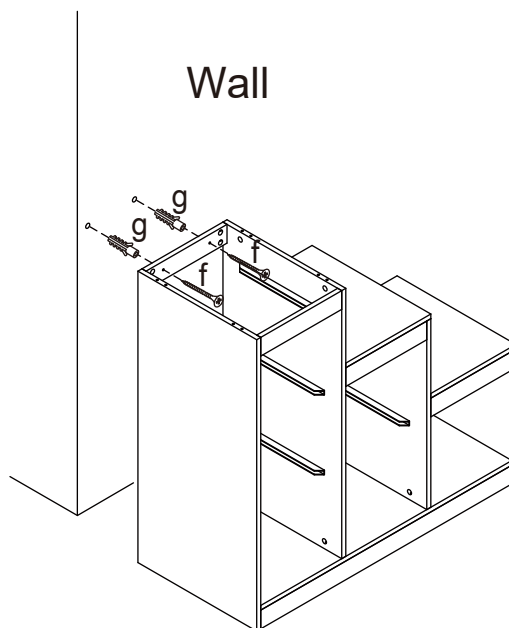
Children have died from furniture tipover.

- ALWAYS secure it with an anchor device.
- NEVER allow children to stand, climb or hang on drawers, doors, or shelves.
- NEVER open more than one drawer at a time.
- Place heavy items down low.

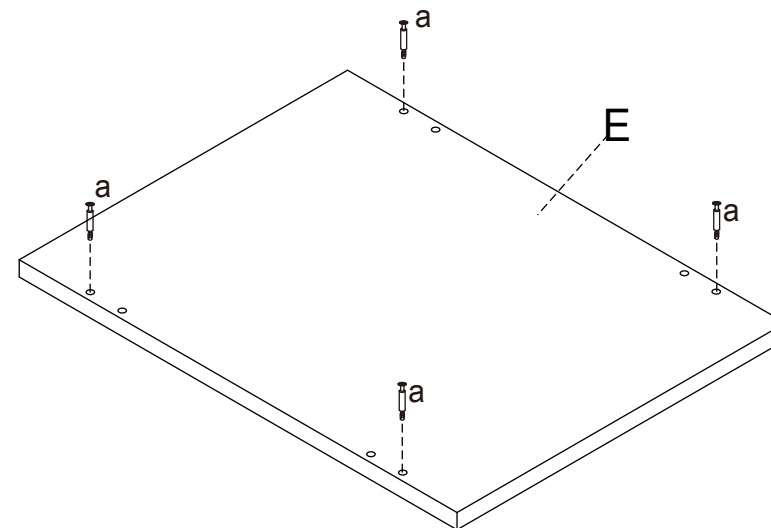
NEVER put a TV on this furniture



This is a permanent label. Do not remove!

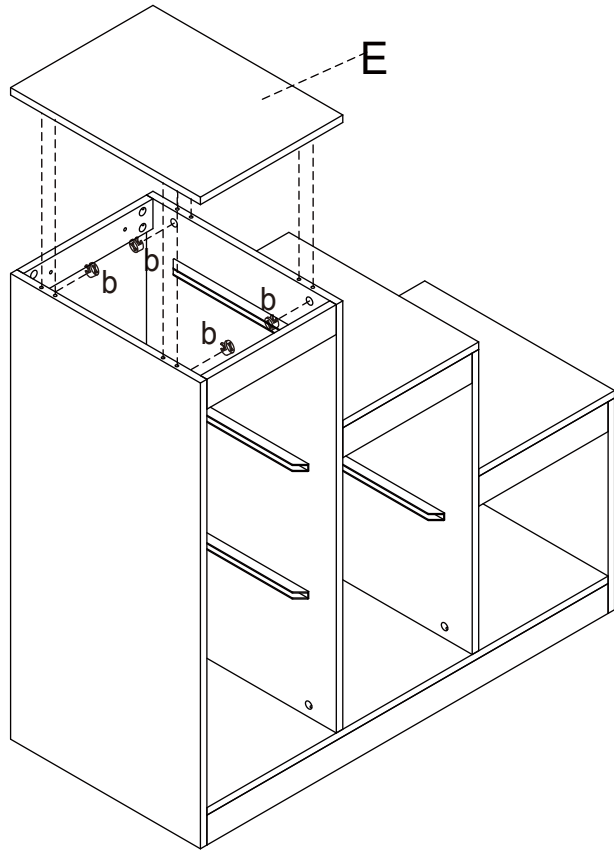
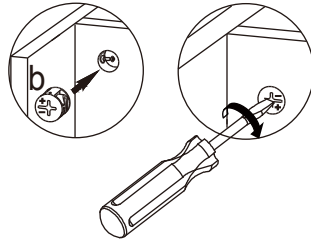


STEP 22

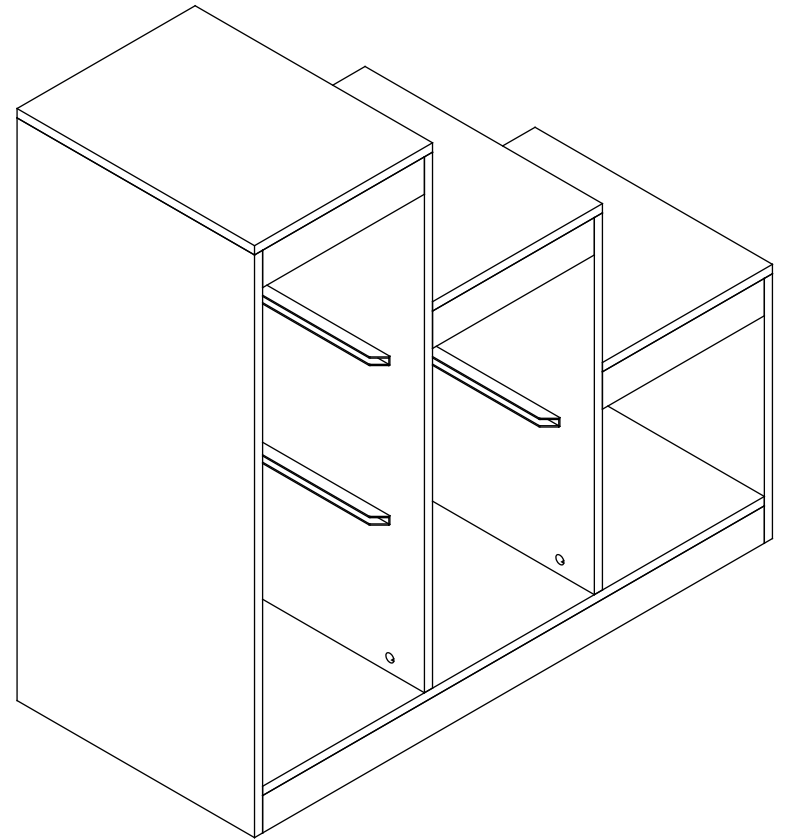


STEP 23

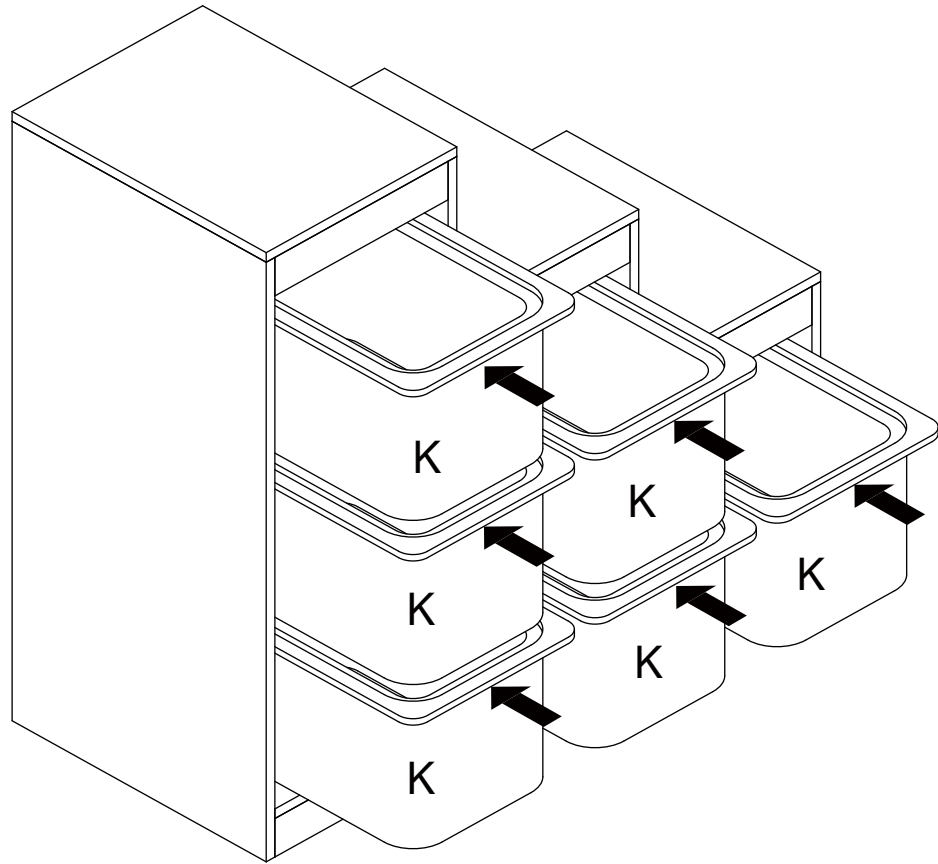
 X4



STEP 24



STEP 25



STEP 26

