

Assembly Instructions

K: 43639915 CAMILLE 2 DOOR CABINET

CARE INSTRUCTIONS:

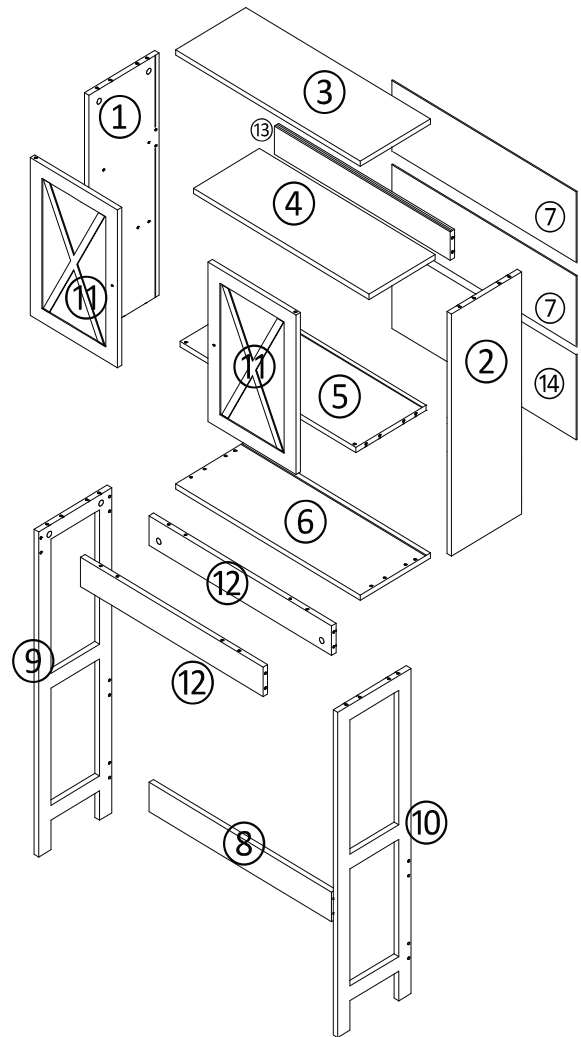
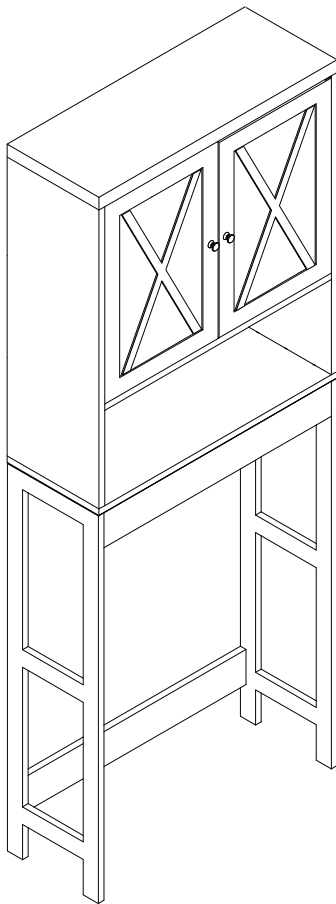
Wipe clean with a dry cloth. Never use scourers, abrasives or chemical solvents. Keep away from moisture and direct sunlight. Store in a dry place, for indoor use only.

WARNING:






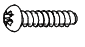




Do not stand, sit, or lean on the unit. Ensure this unit is used only on a flat surface. Do not use this unit unless all bolts and screws are securely fastened. Do not place hot objects, such as coffee cups, directly on the surface of this furniture item. This item is for storage purposes only. It contains small parts, should be properly fastened, and must be assembled by an adult. Failure to follow these warnings could result in serious injury.






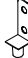



MAXIMUM SAFE LOAD: 5KG FOR EACH SHELF.

PANEL LAYOUT

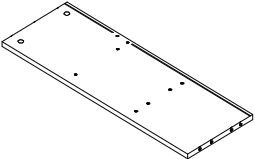
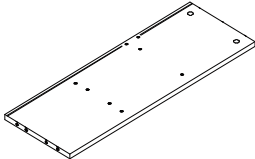
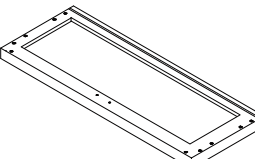
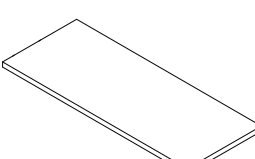
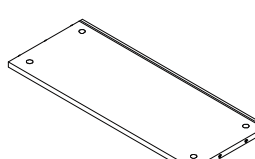
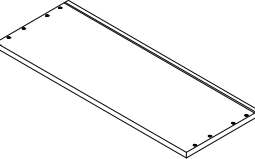
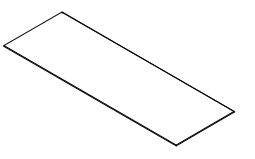
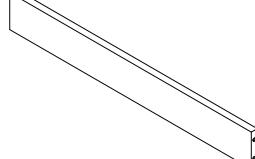
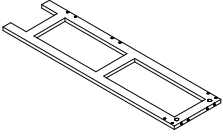
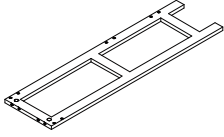
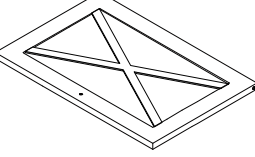
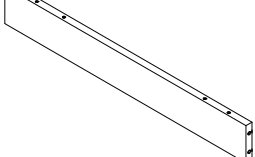
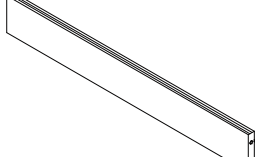
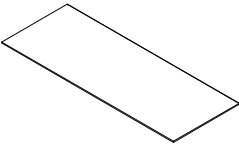


1 Hardware List

	a	M6x35	18 pcs
	b	M15x10	18 pcs
	c	M4x12	12 pcs
	d	M6x30	26 pcs
	e	M4x35	4 pcs
	f	M4x16	2 pcs
	r	M4x55	4 pcs
	t	M6x50	4 pcs
	w		12 pcs
	o		4 pcs

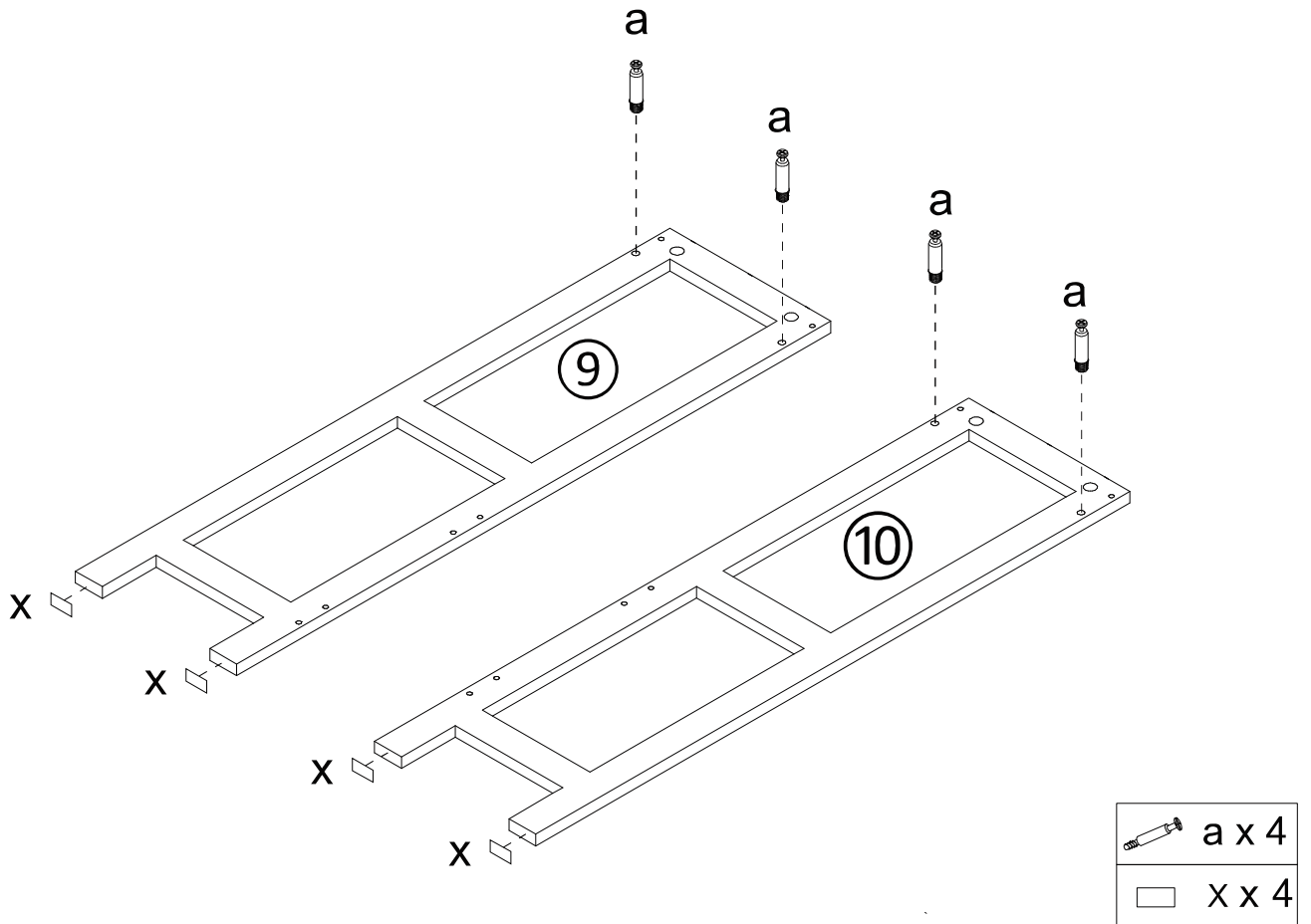
	g		2 pcs
	h		1 pc
	i		2 pcs
	j	M4x12	2 pcs
	k	M4x35	2 pcs
	m		4 pcs
	s		4 pcs
	x		4 pcs
	n		12 pcs

2 Parts List

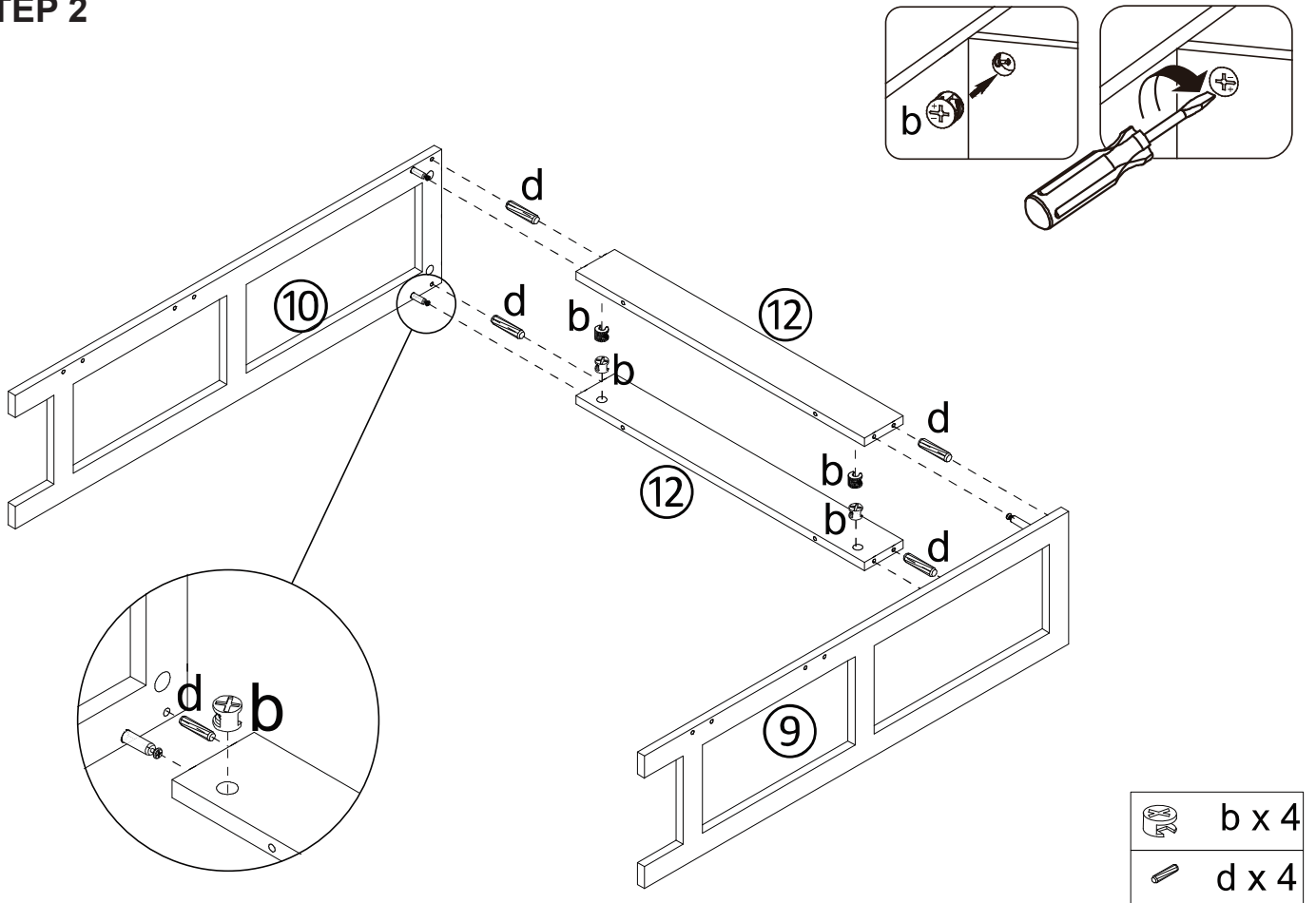
				
① 1pc	② 1pc	③ 1pc	④ 1pc	⑤ 1pc
				
⑥ 1pc	⑦ 2pcs	⑧ 1pc	⑨ 1pc	⑩ 1pc
				
⑪ 2pcs	⑫ 2pcs	⑬ 1pc	⑭ 1pc	

**Do not tighten the screws fully during assembly.
Fully tighten screws after the final assembly steps**

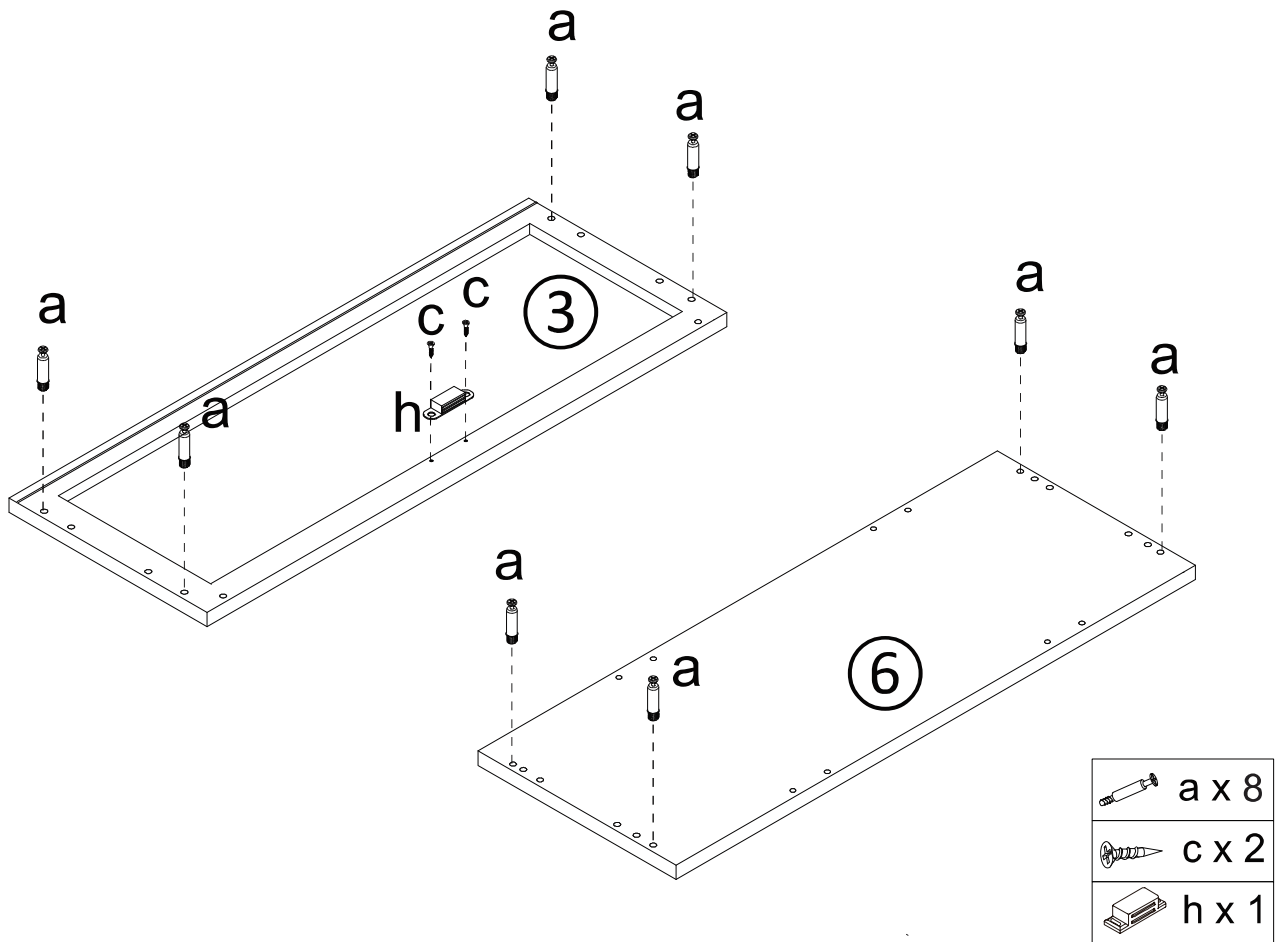
STEP 1



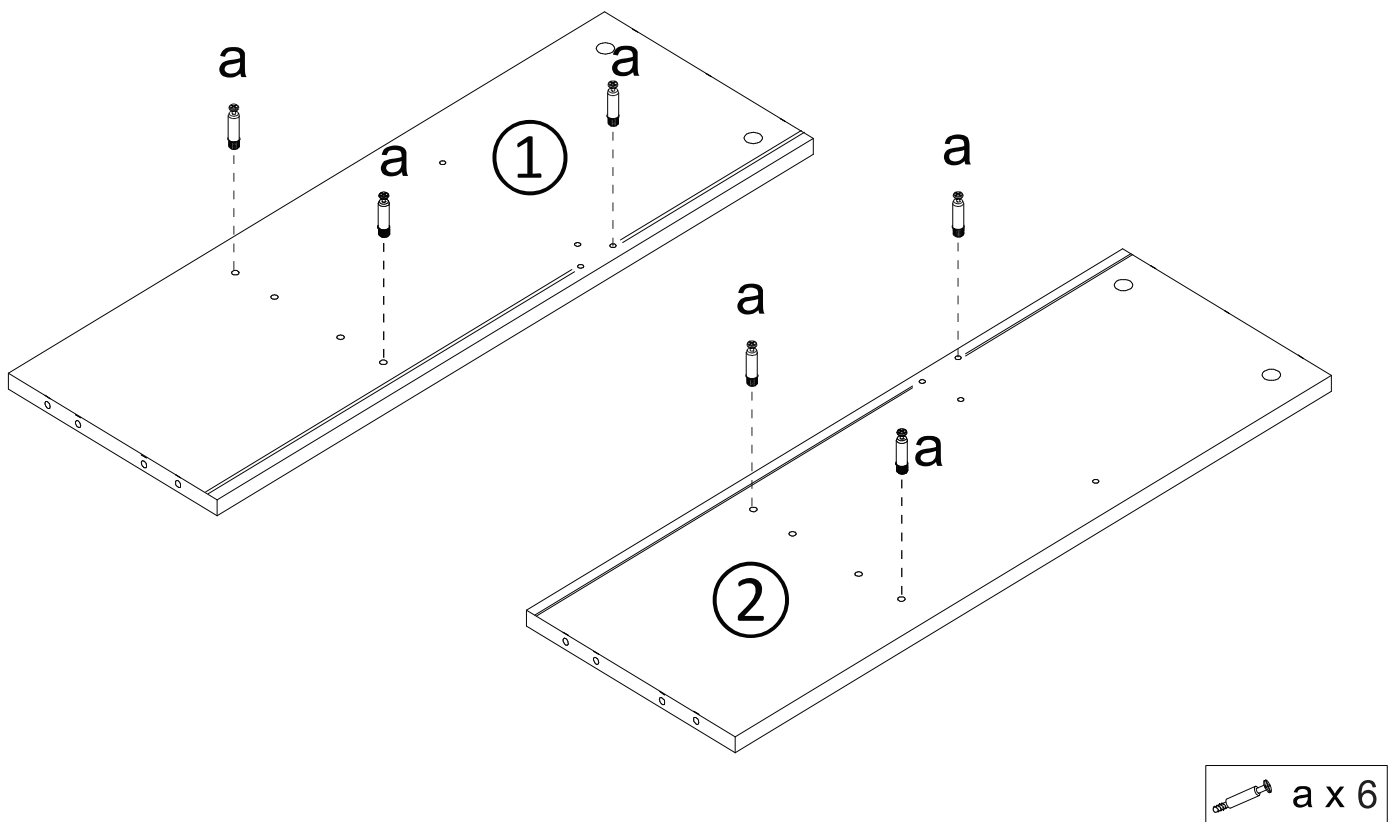
STEP 2



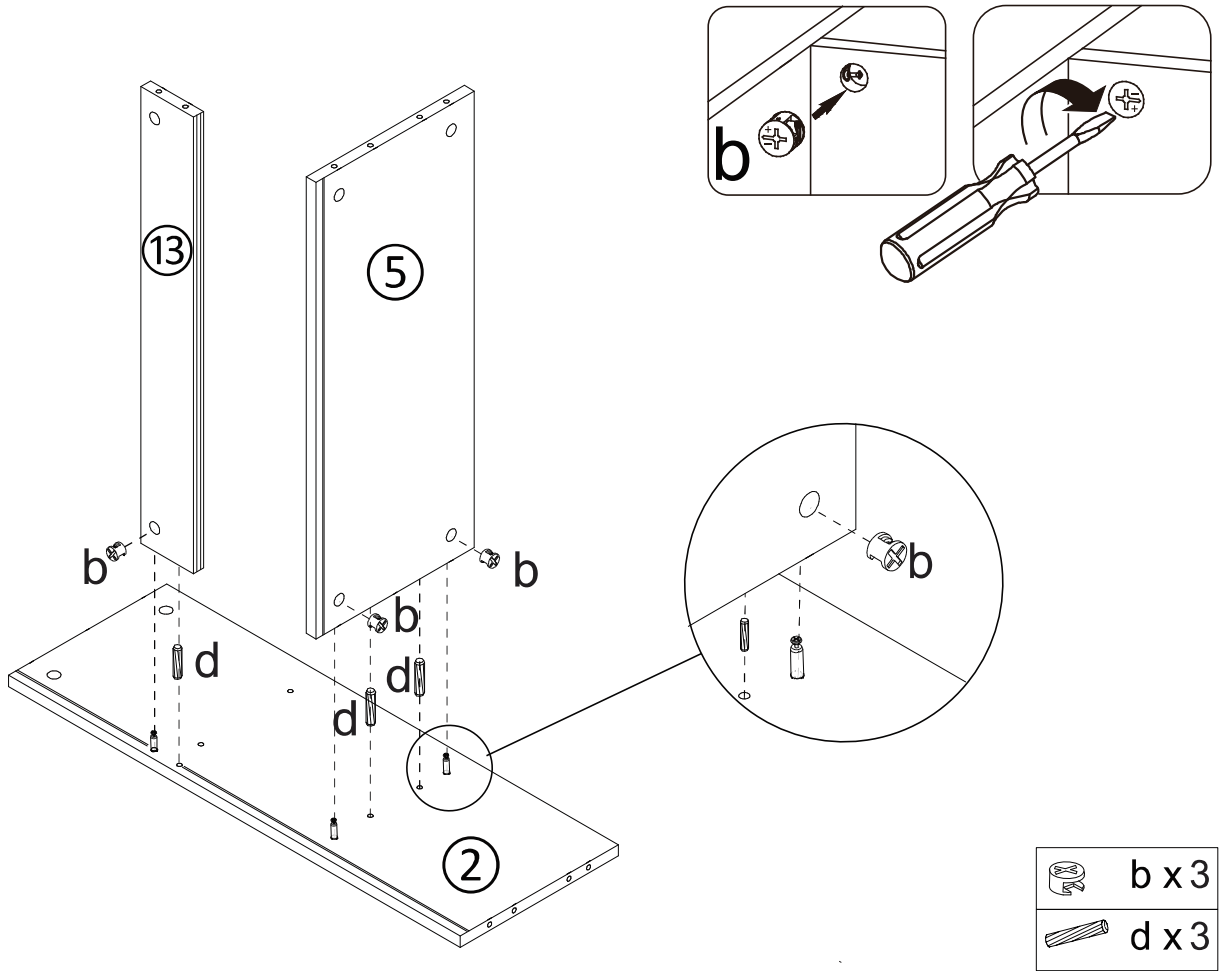
STEP 3



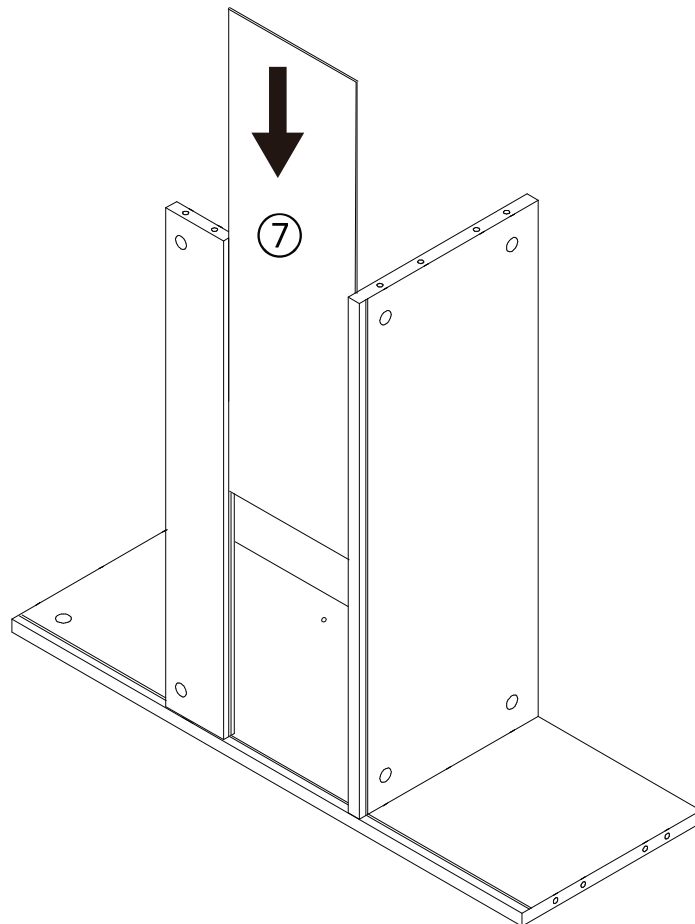
STEP 4



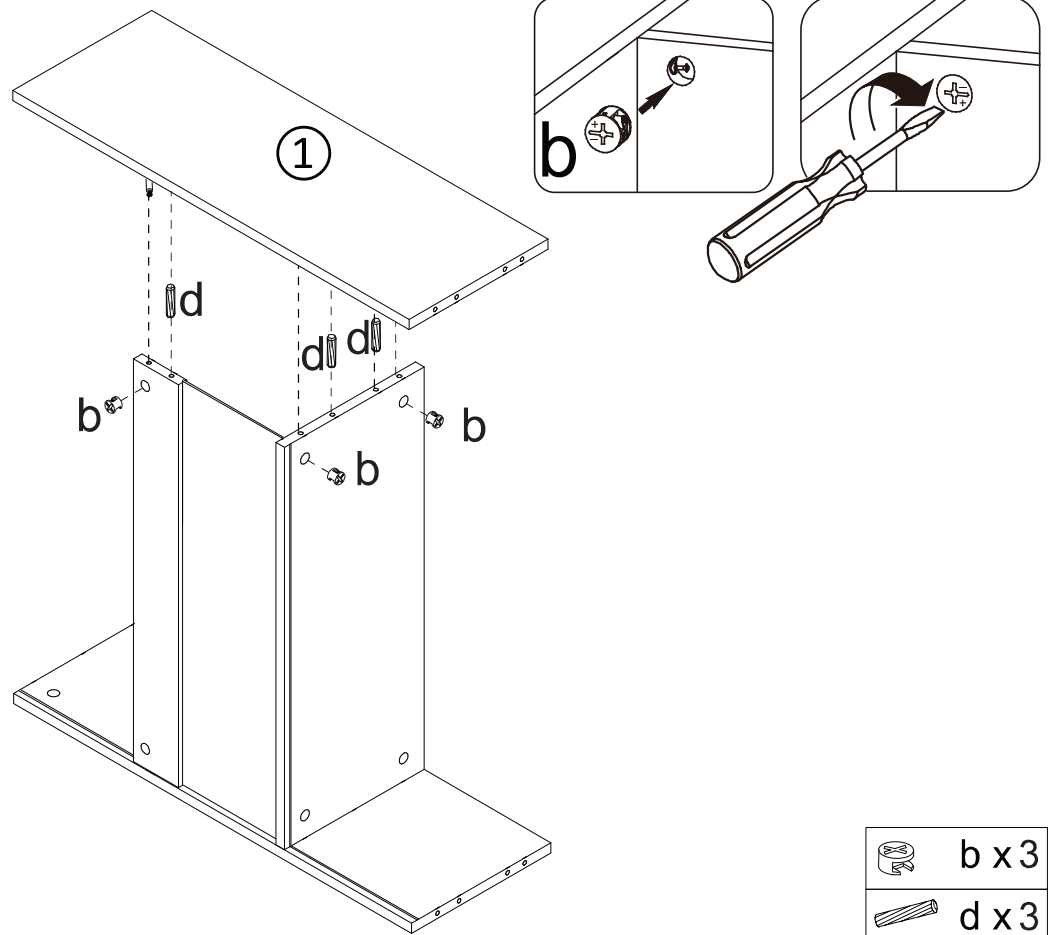
STEP 5



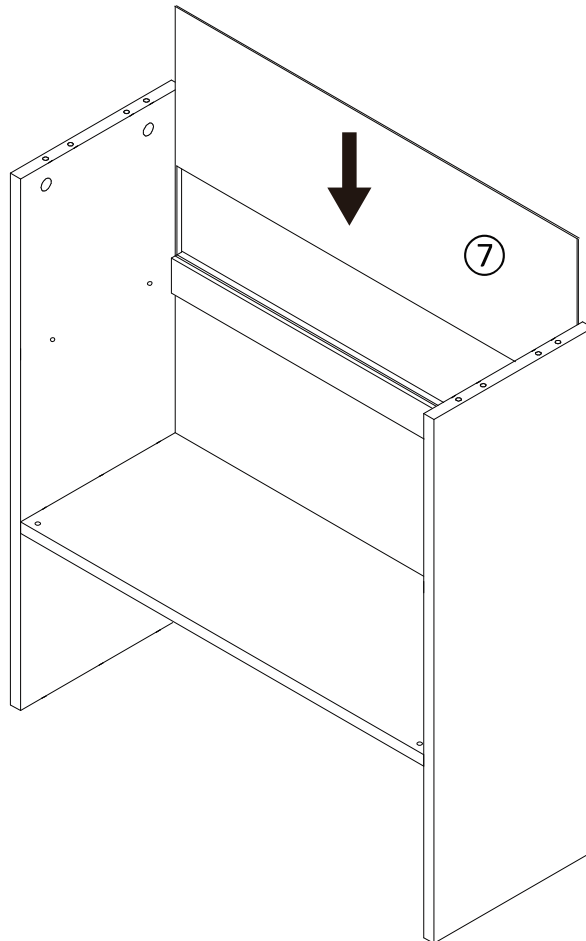
STEP 6



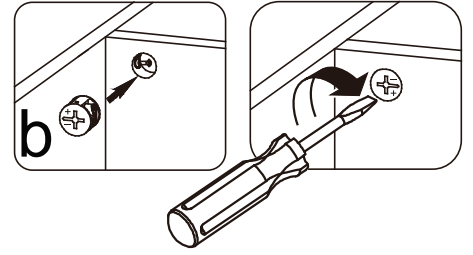
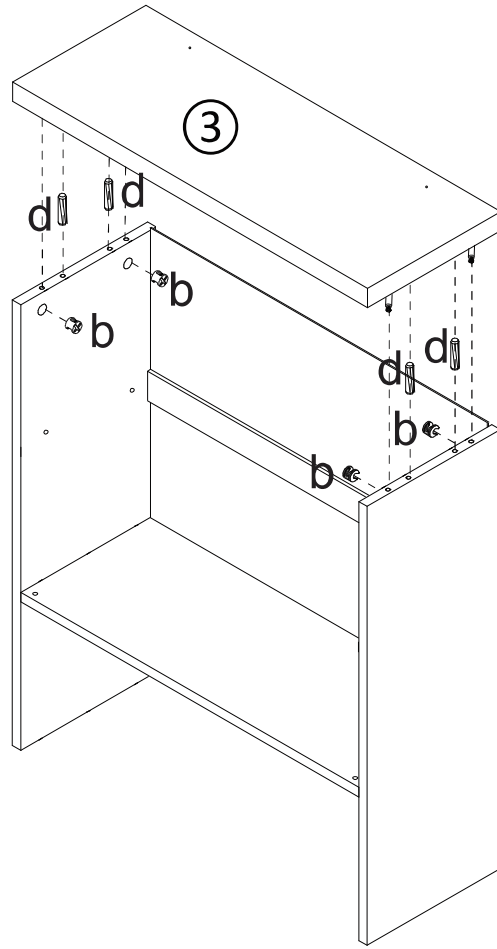
STEP 7





STEP 8

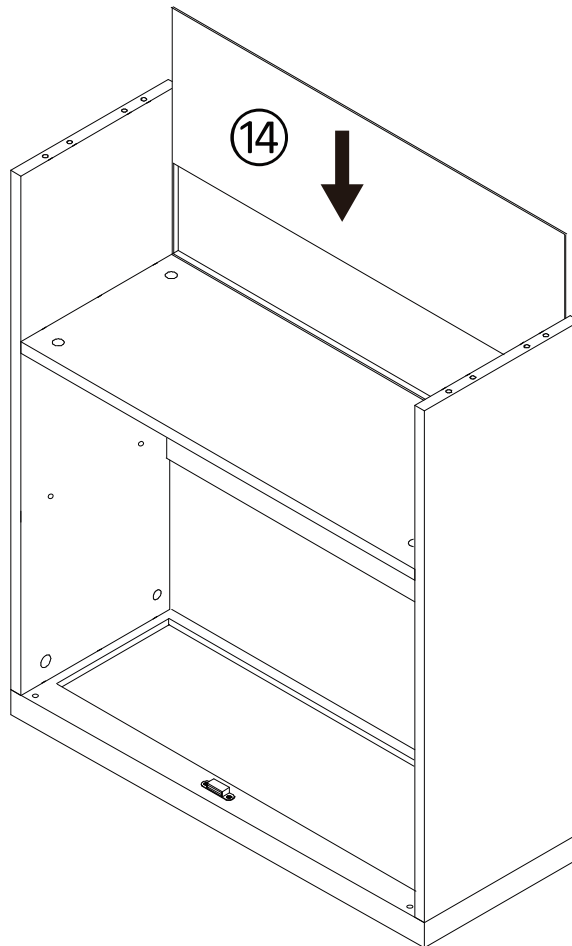


STEP 9

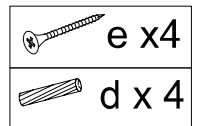
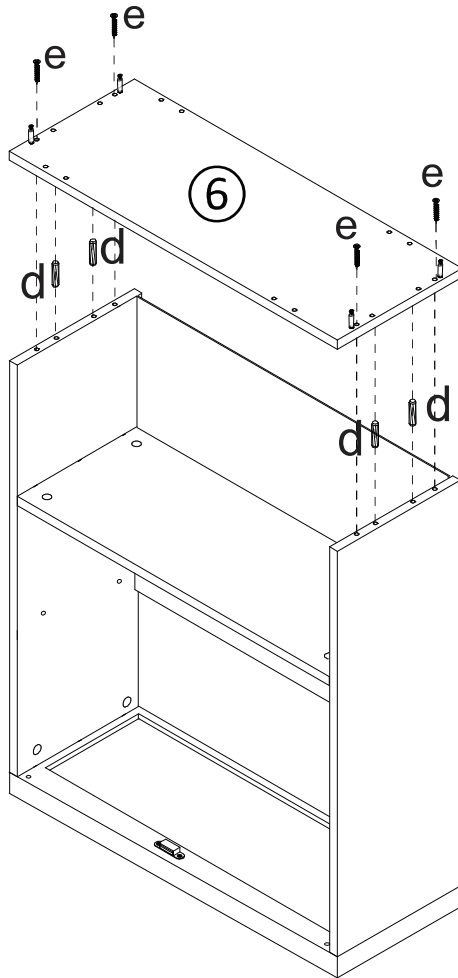


	b x 4
	d x 4

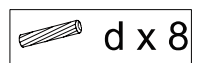
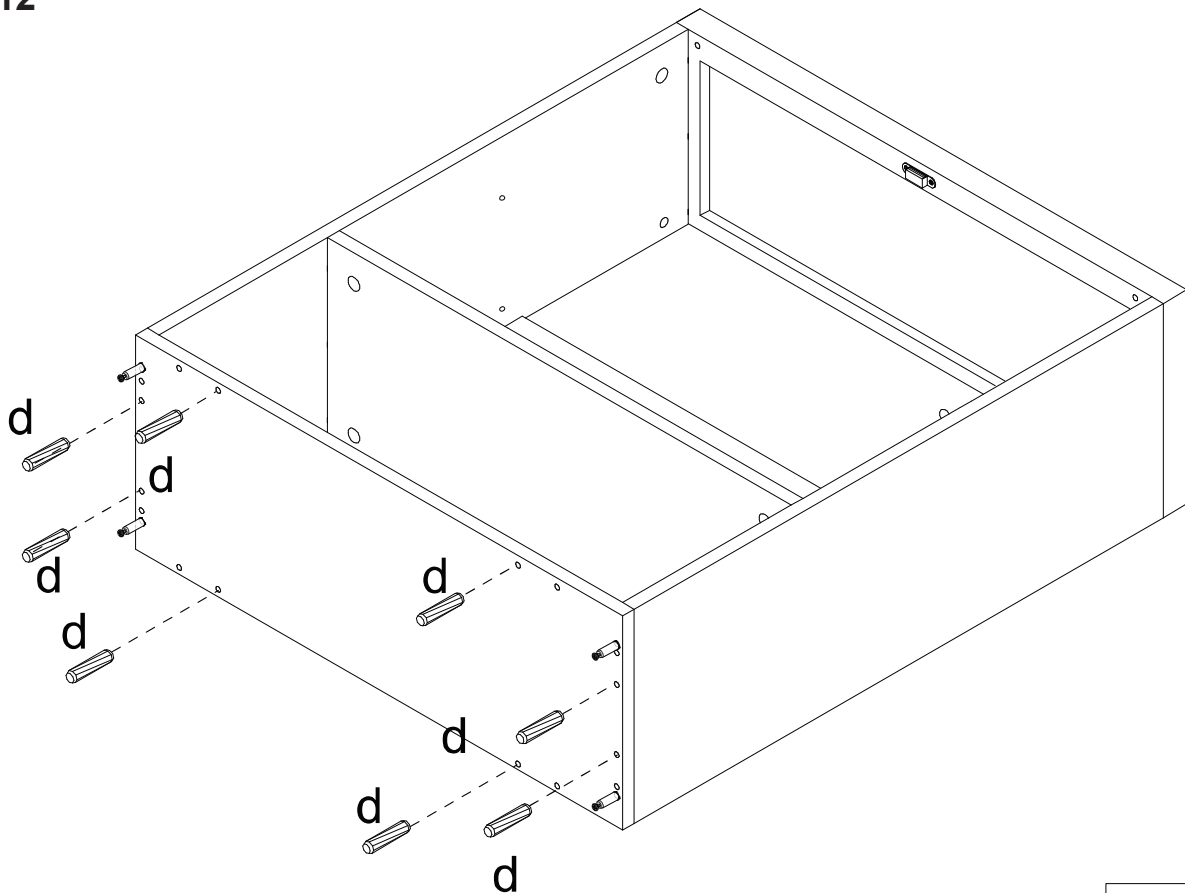
STEP 10



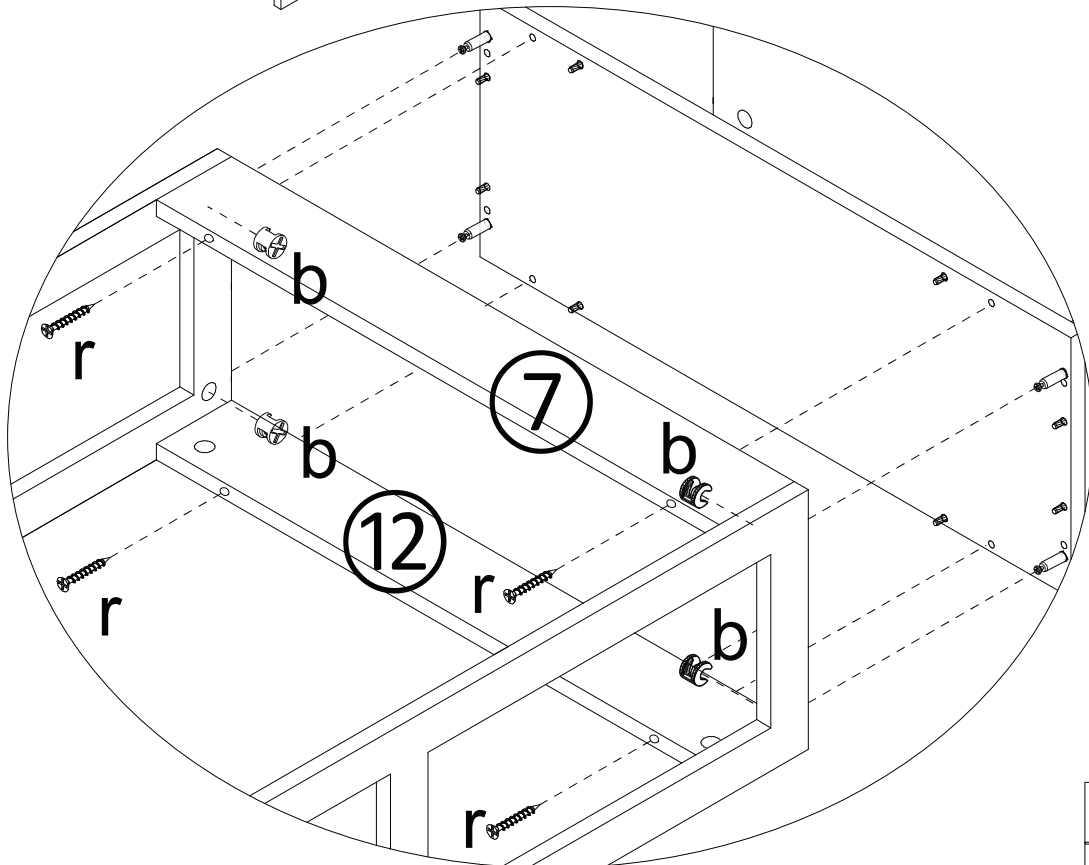
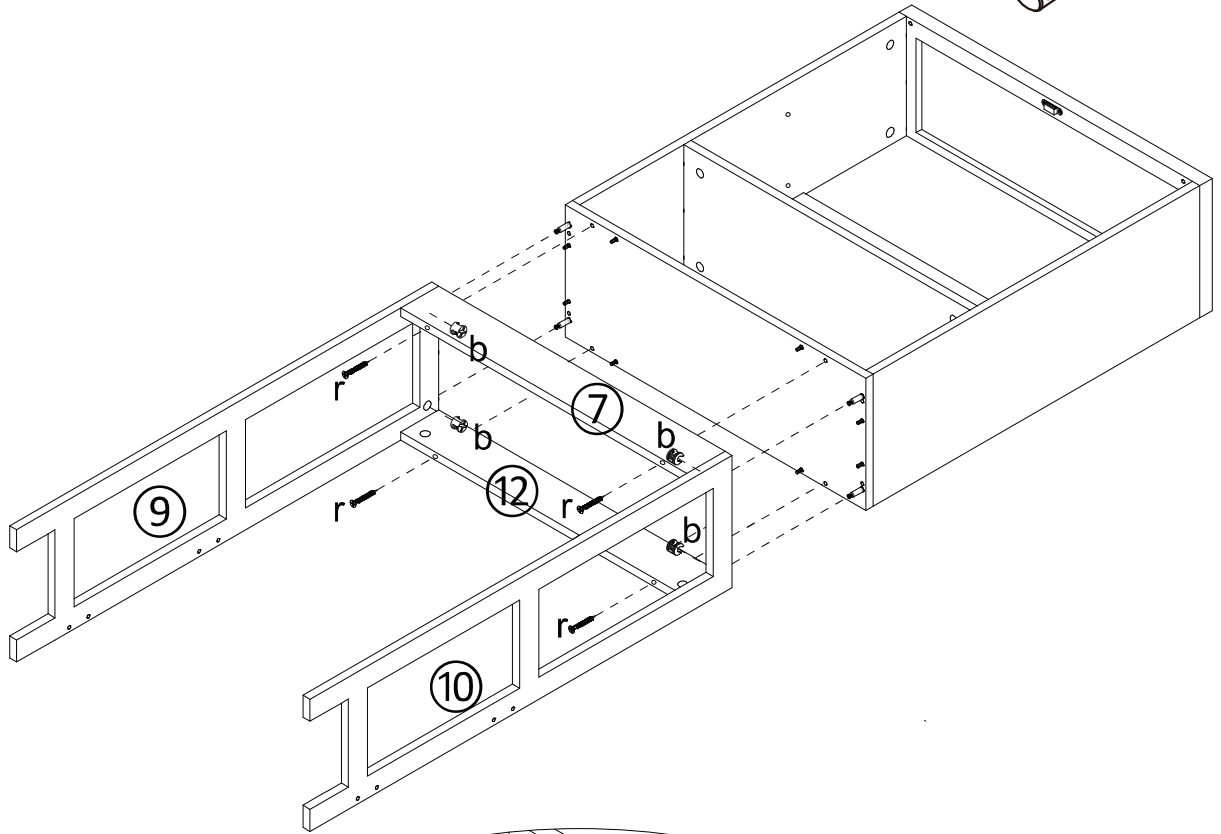
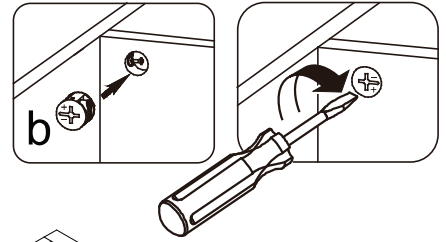
STEP 11





STEP 12

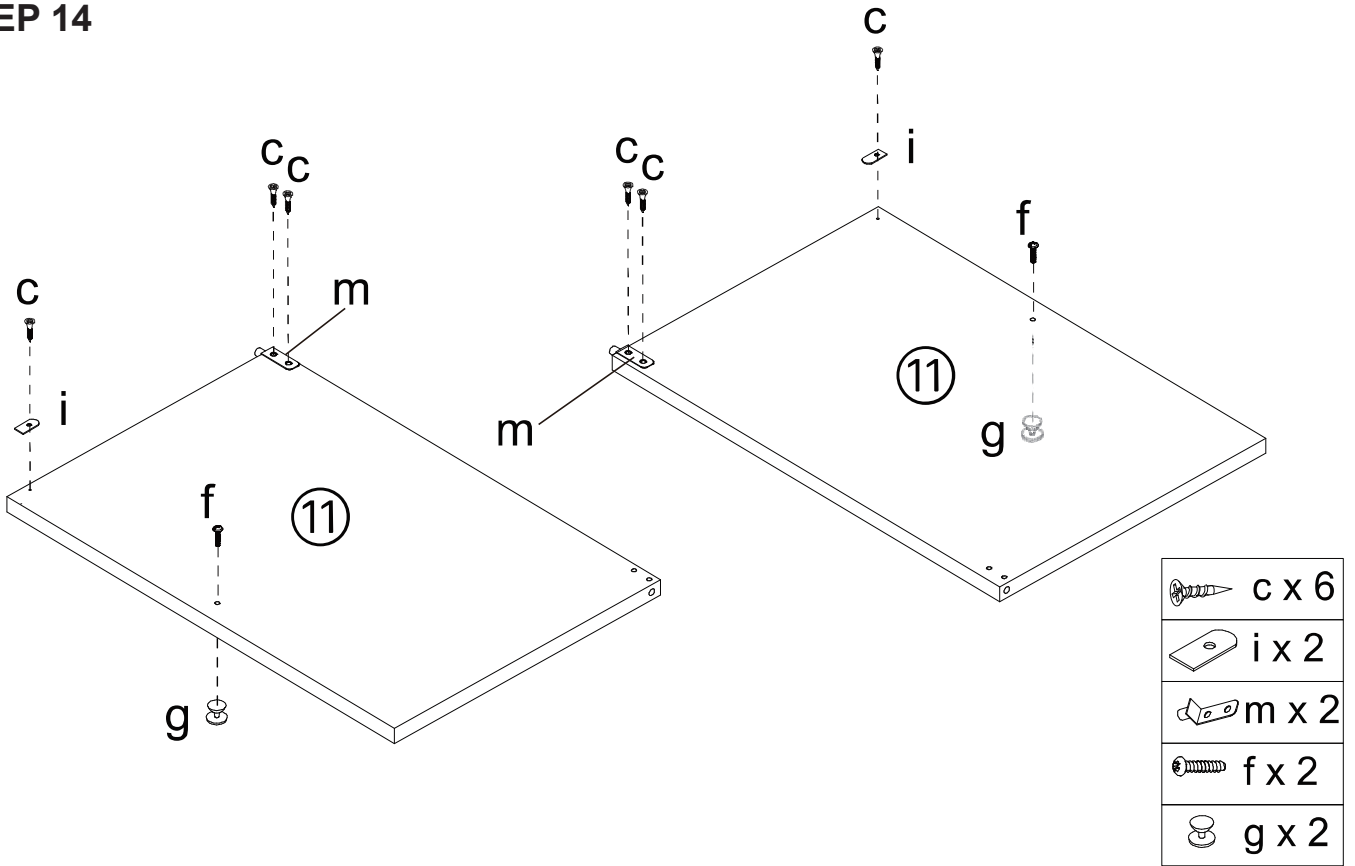


STEP 13

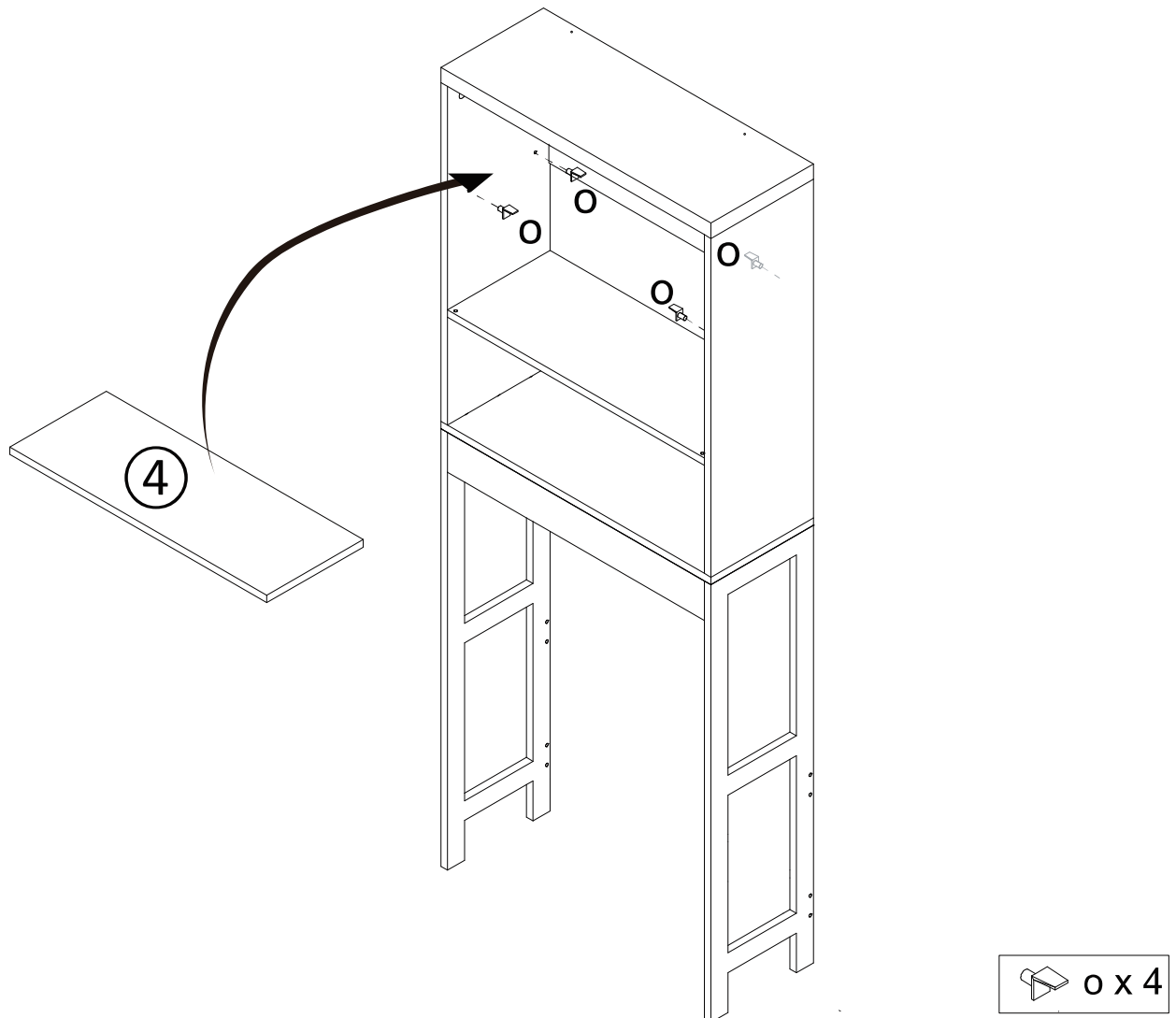


	b x 4
	r x 4

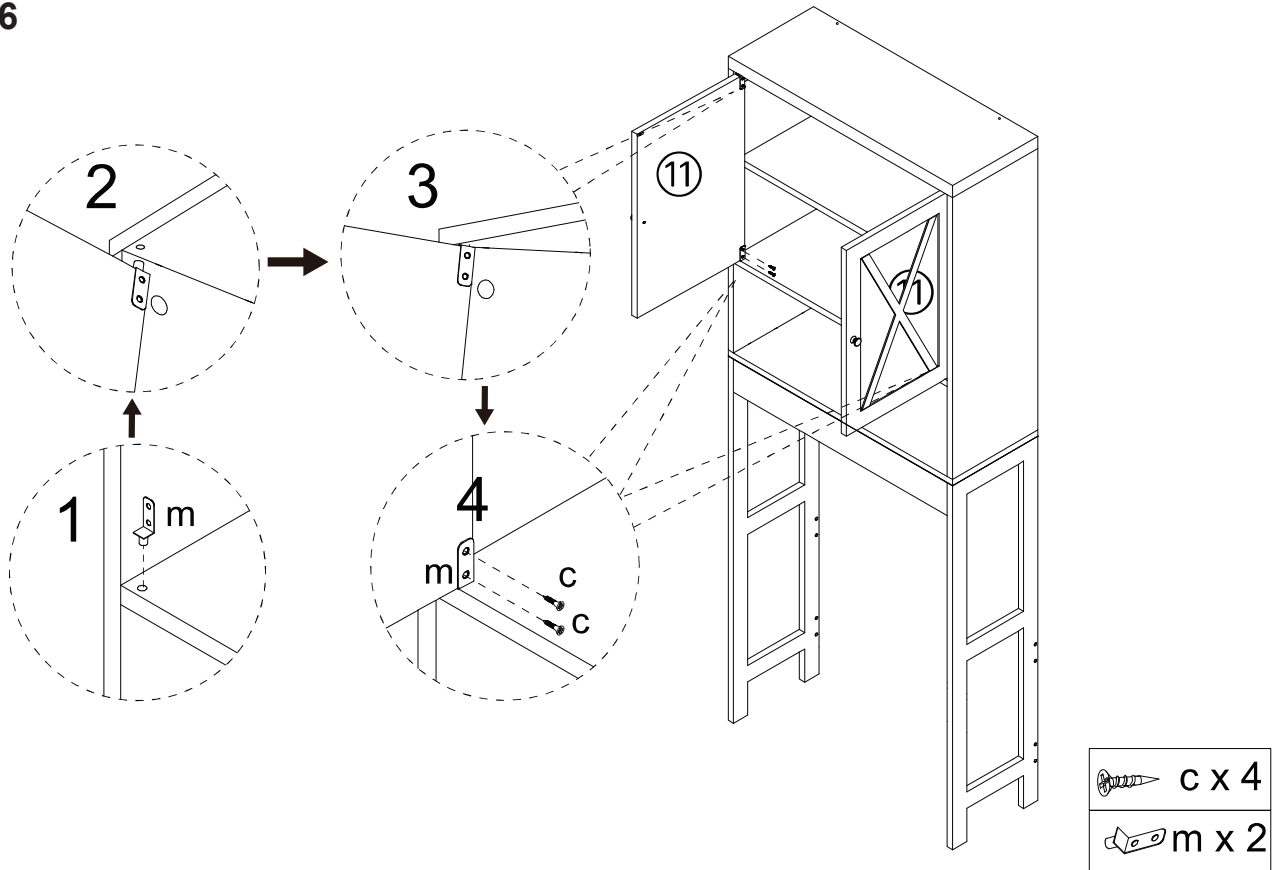
STEP 14



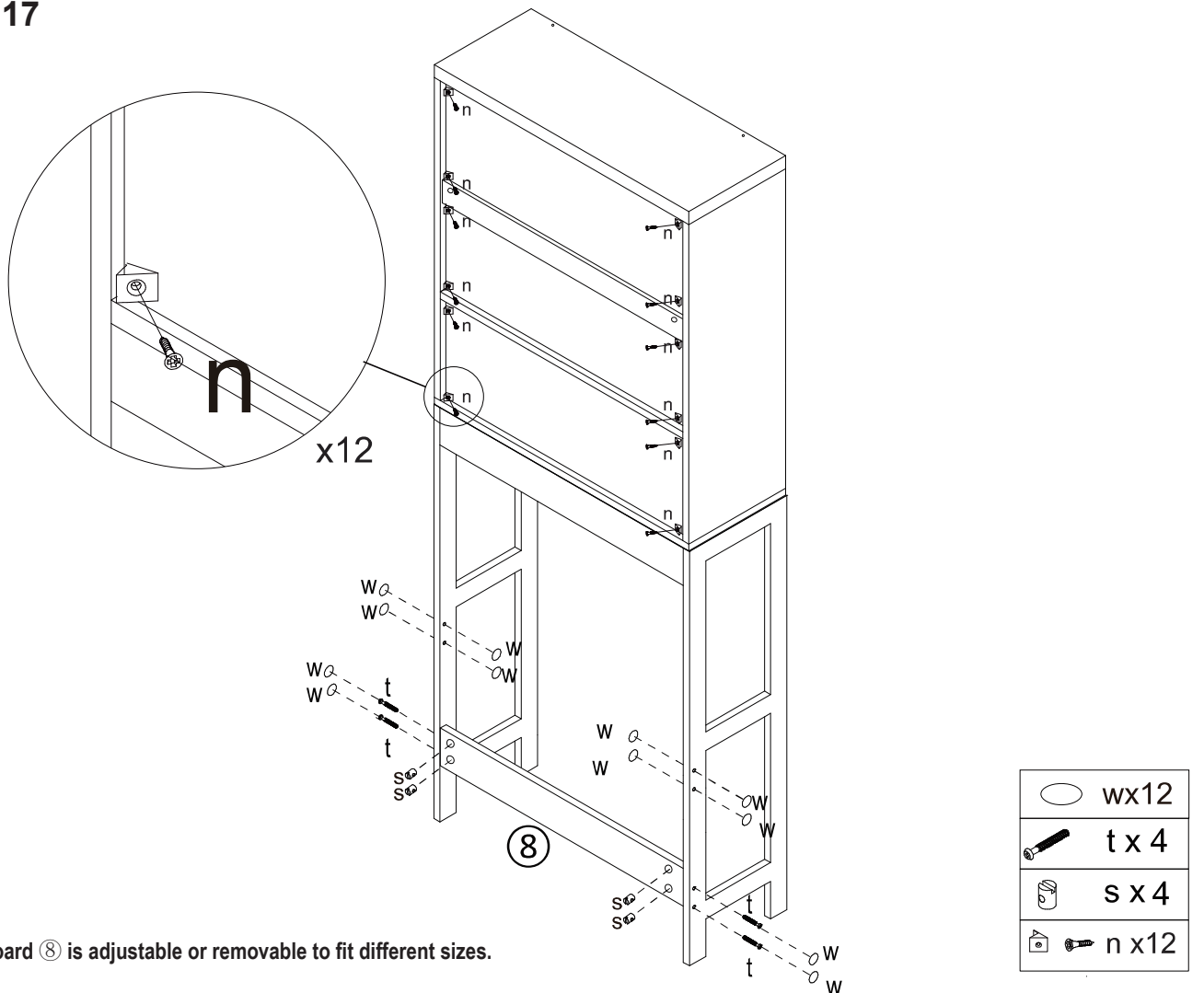
STEP 15



STEP 16

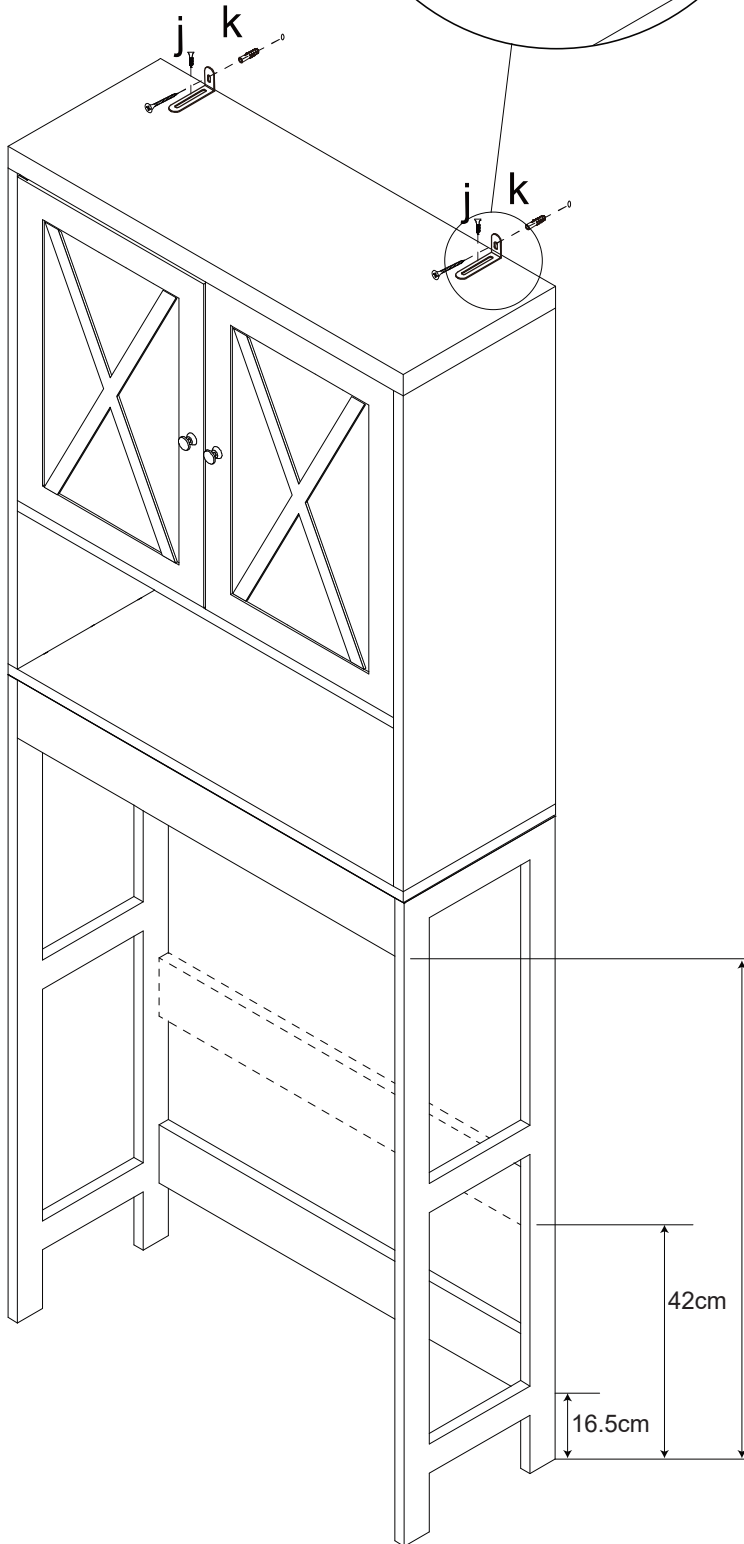
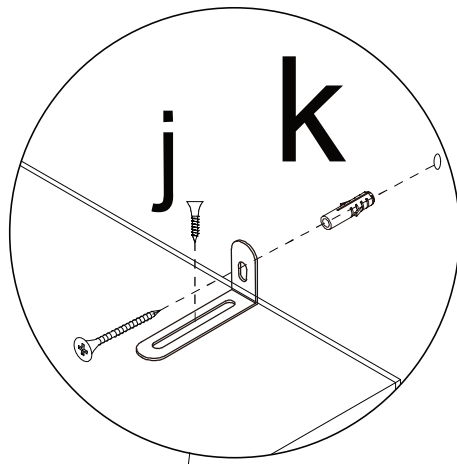






STEP 17



NOTE: Board ⑧ is adjustable or removable to fit different sizes.

STEP 18



		kx2
		jx2

⚠ WARNING




Children have died from furniture tipover.

- ALWAYS secure it with an anchor device.
- NEVER allow children to stand, climb or hang on drawers, doors, or shelves.
- NEVER open more than one drawer at a time.
- Place heavy items down low.
- Furniture type is at risk of toppling over.

NEVER put a TV on this furniture 

This is a permanent label. Do not remove!

TOPPLING FURNITURE WARNING:

- **ALWAYS secure it with an anchor device.**
- **Please seek professional advice if you are in doubt of what fixing device to use.**
- **Regularly check that anchors are securely maintained.**
- **Use safety drawer locks to prevent children climbing.**
- **Stability of tall items may be affected by thick pile carpet or uneven floors .**
- **Do not place unanchored televisions on furniture .**

CAUTION: for your safety when attaching the anchor fixings, please note the following:

- **Check any electrical wires or plumbing inside the wall before drilling any holes (if you are unsure please seek professional advice from a qualified tradesperson).**



WARNING: PLEASE SECURE YOUR FURNITURE WITH THE SUPPLIED WALL FIXING. SCAN THE CODE FOR MORE INFORMATION.

