

Assembly Instructions

K: 43639908 CAMILLE TALL STORAGE UNIT WITH SHELVES

CARE INSTRUCTIONS:

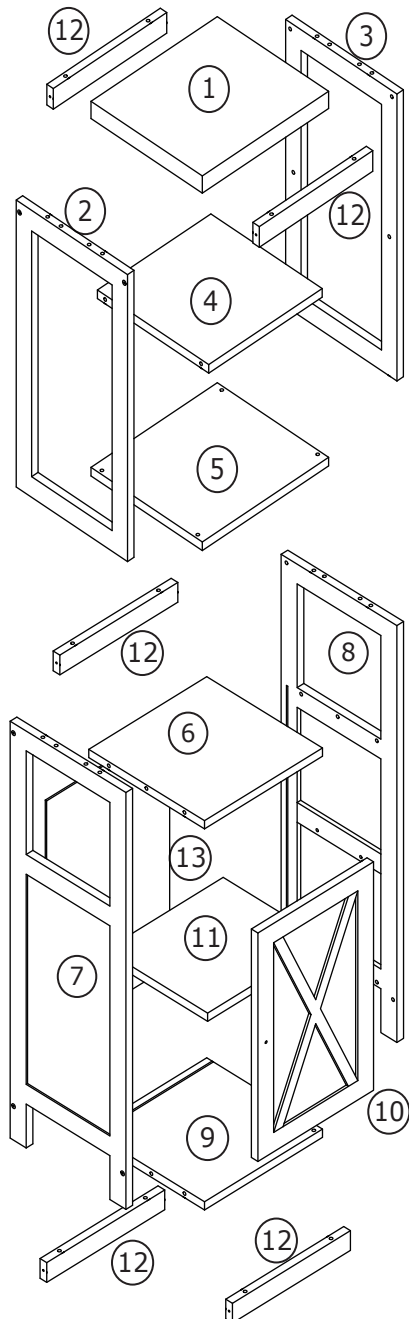
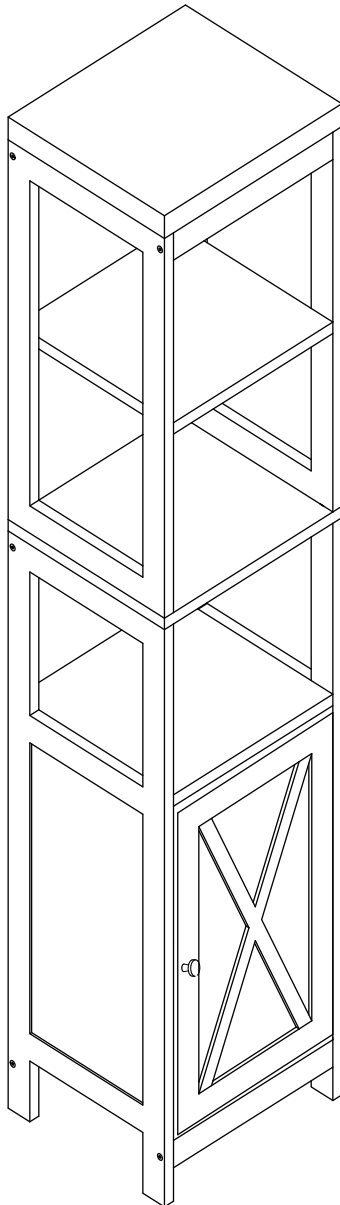
Wipe clean with a dry cloth. Never use scourers, abrasives or chemical solvents. Keep away from moisture and direct sunlight. Store in a dry place, for indoor use only.

WARNING:

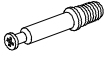








Do not stand, sit, or lean on the unit. Ensure this unit is used only on a flat surface. Do not use this unit unless all bolts and screws are securely fastened. Do not place hot objects, such as coffee cups, directly on the surface of this furniture item. This item is for storage purposes only. It contains small parts, should be properly fastened, and must be assembled by an adult. Failure to follow these warnings could result in serious injury.

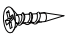







MAXIMUM SAFE LOAD: 5KG FOR EACH SHELF.

Parts List

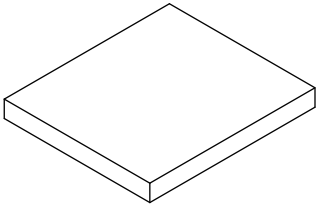
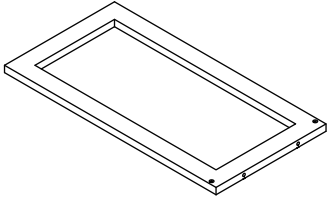
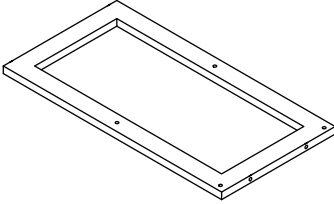
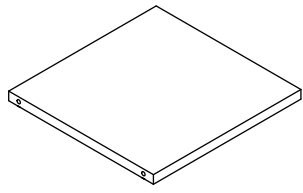
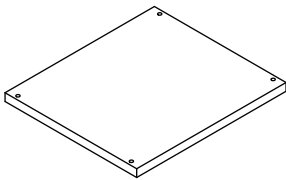
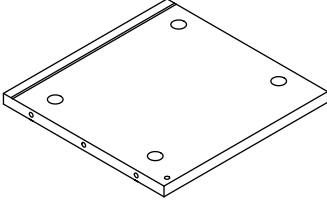
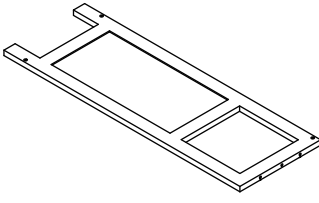
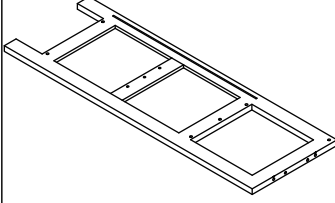
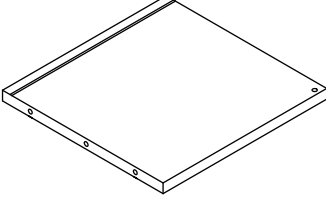
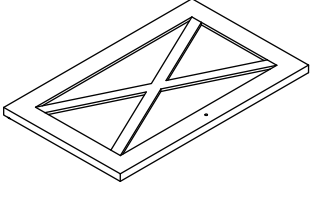
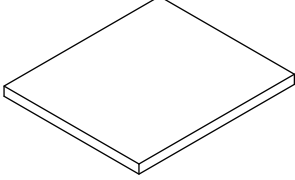
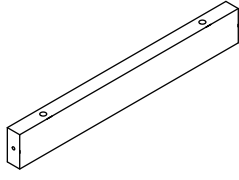
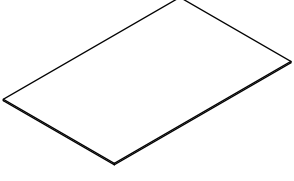


Hardware List

	a	6x35mm	12pcs
	b	15x10mm	12pcs
	c	6x30mm	8pcs
	d	4x35mm	14pcs
	e		1set
	f		10pcs
	g		4pcs
	o		4pcs
	s		1pc

	h		5pcs
	i		4sets
	j		1set
	k		1pc
	l		2pcs
	m		1set
	n		1set
	r		4pcs

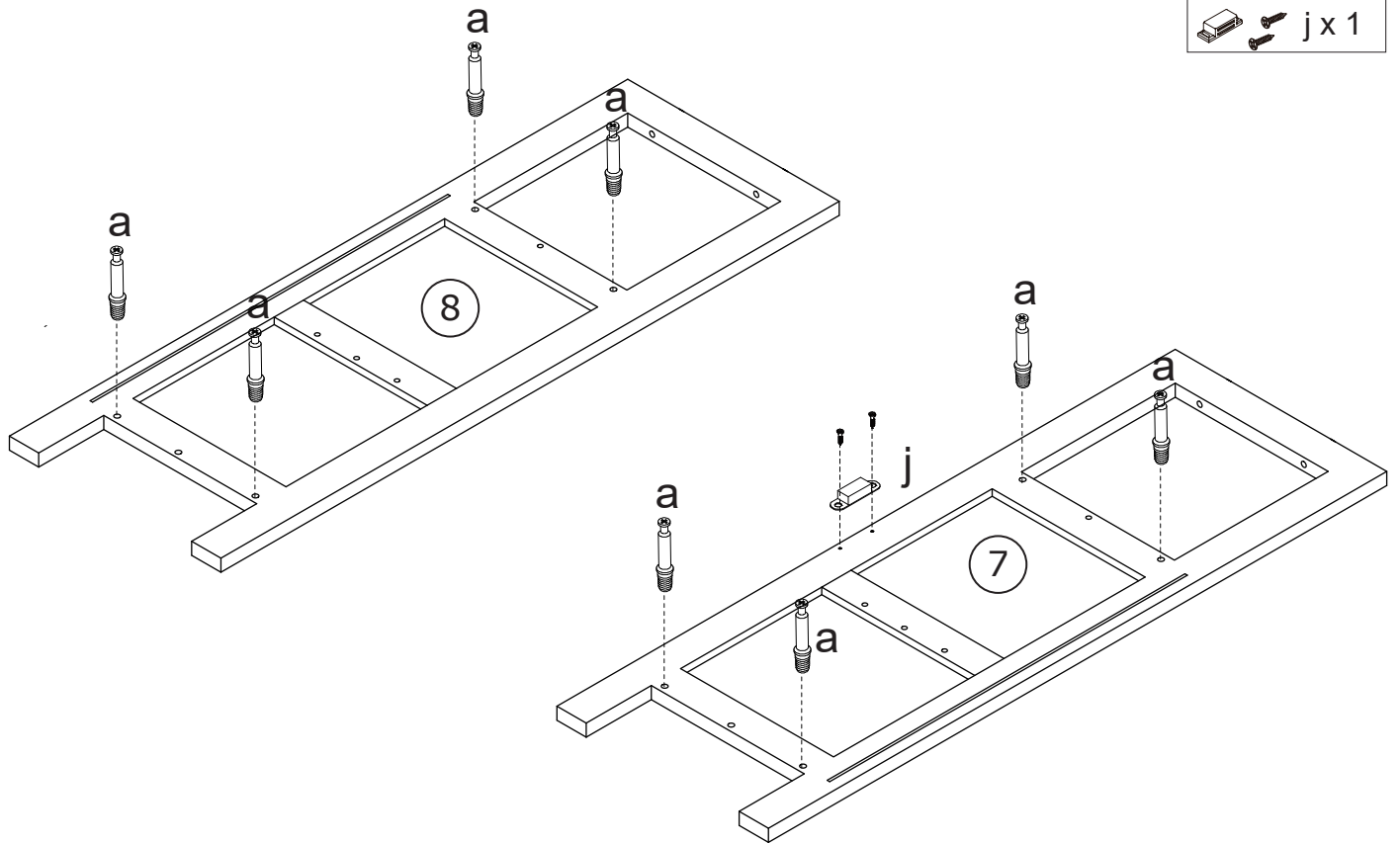
PANEL LAYOUT

			
① 1PC	② 1PC	③ 1PC	④ 1PC
			
⑤ 1PC	⑥ 1PC	⑦ 1PC	⑧ 1PC
			
⑨ 1PC	⑩ 1PC	⑪ 1PC	⑫ 5PCS
			
⑬ 1PC			

**Do not tighten the screws fully during assembly
Fully tighten screws after the final assembly steps**

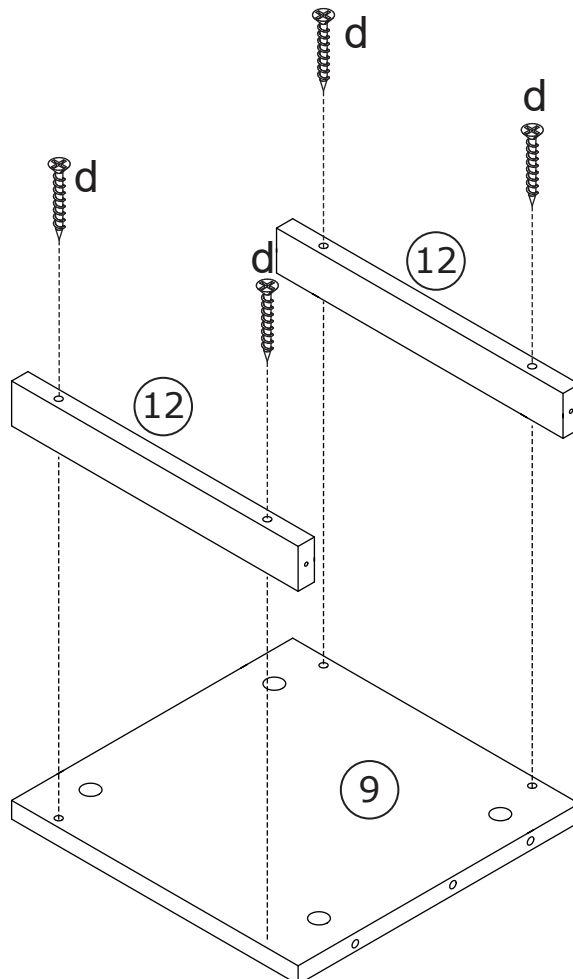
STEP 1

- a x 8
- j x 1

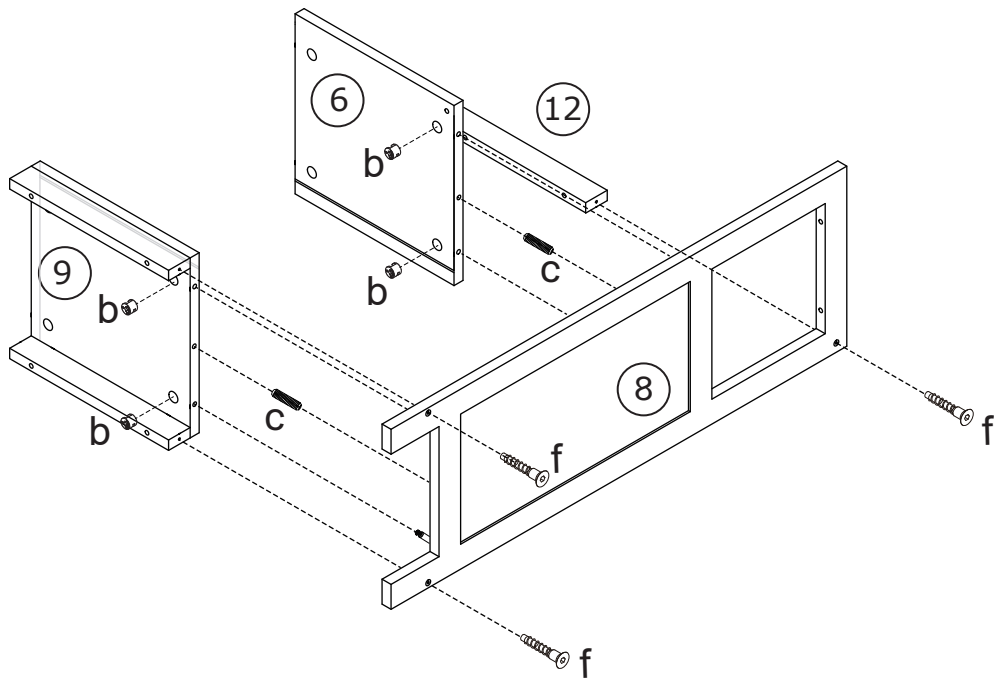
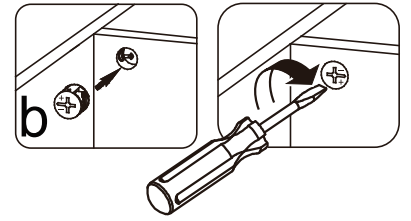





STEP 2

- d x 4

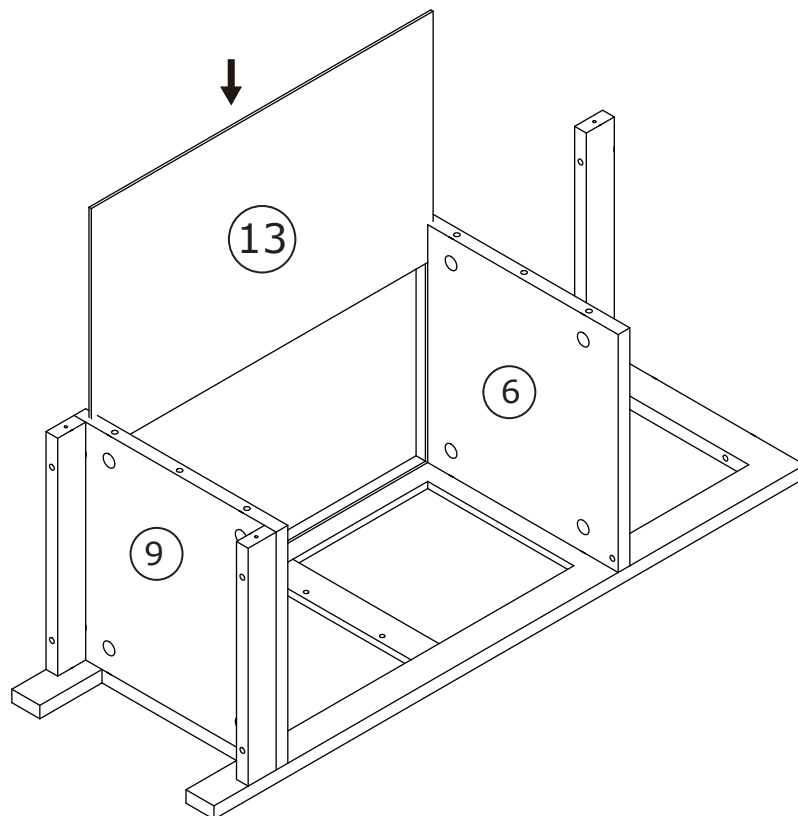


STEP 3

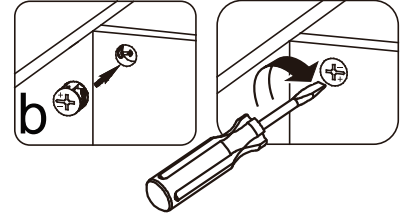
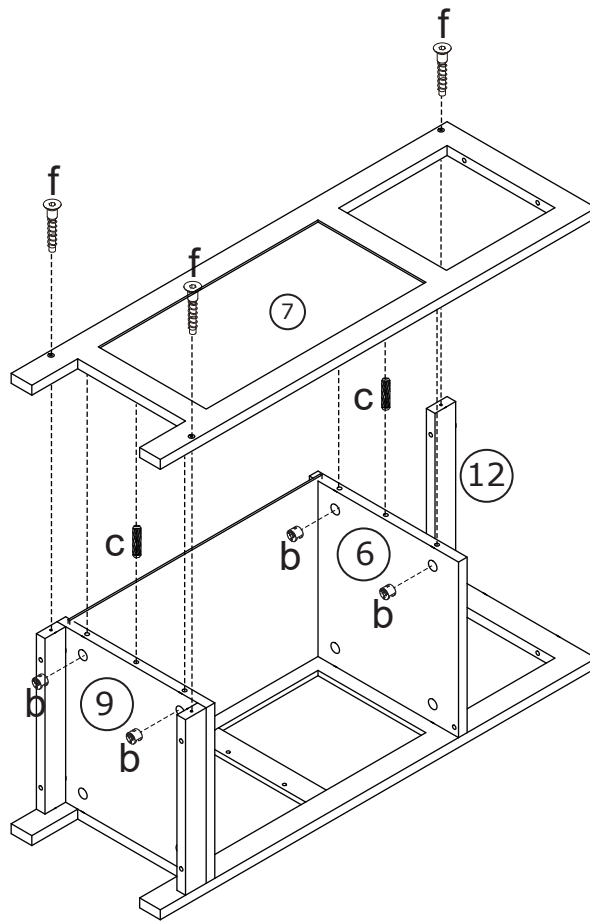





	b x 4
	c x 2
	f x 3

STEP 4

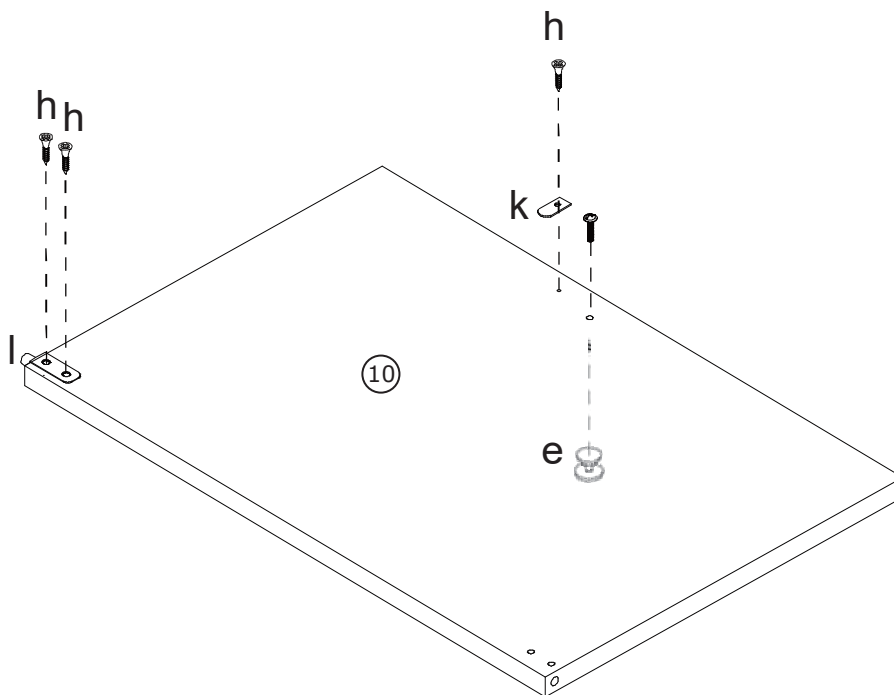






STEP 5





	b x 4
	c x 2
	f x 3

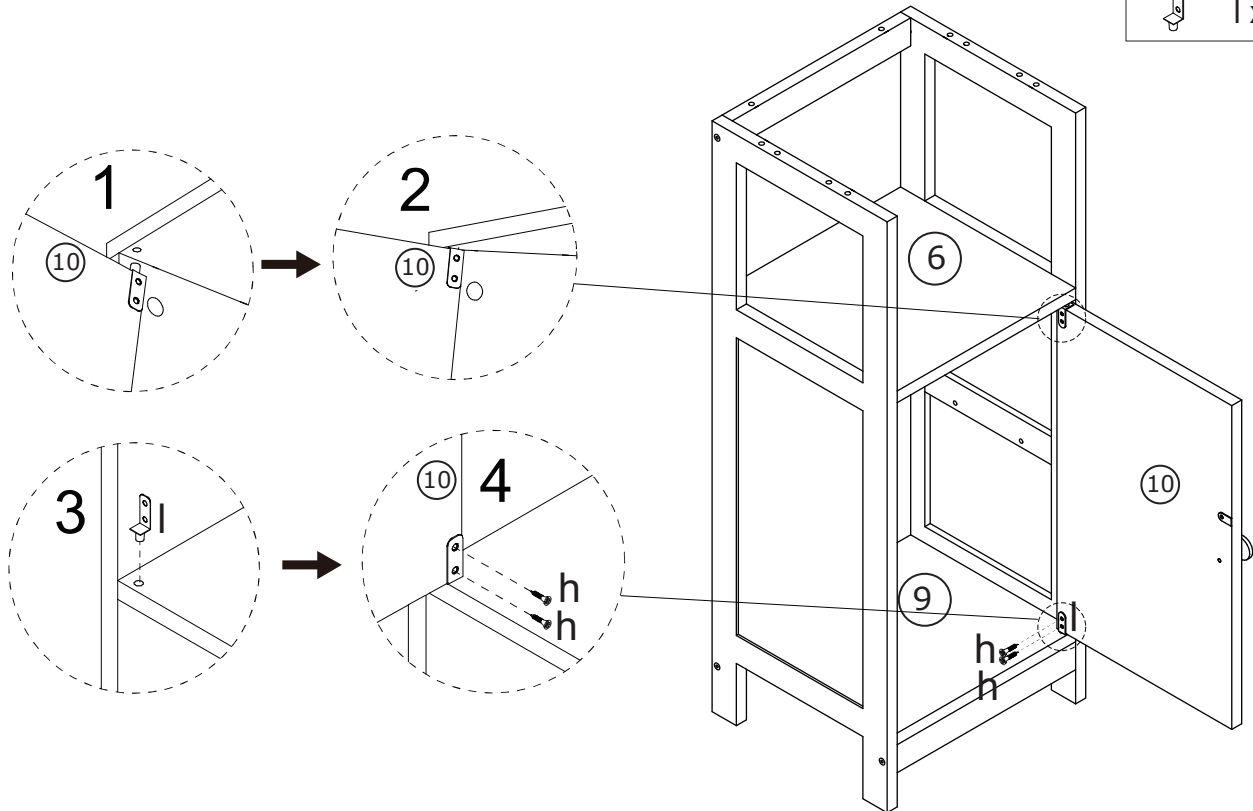
STEP 6



	h x 3
	k x 1
	l x 1
	e x 1


STEP 7

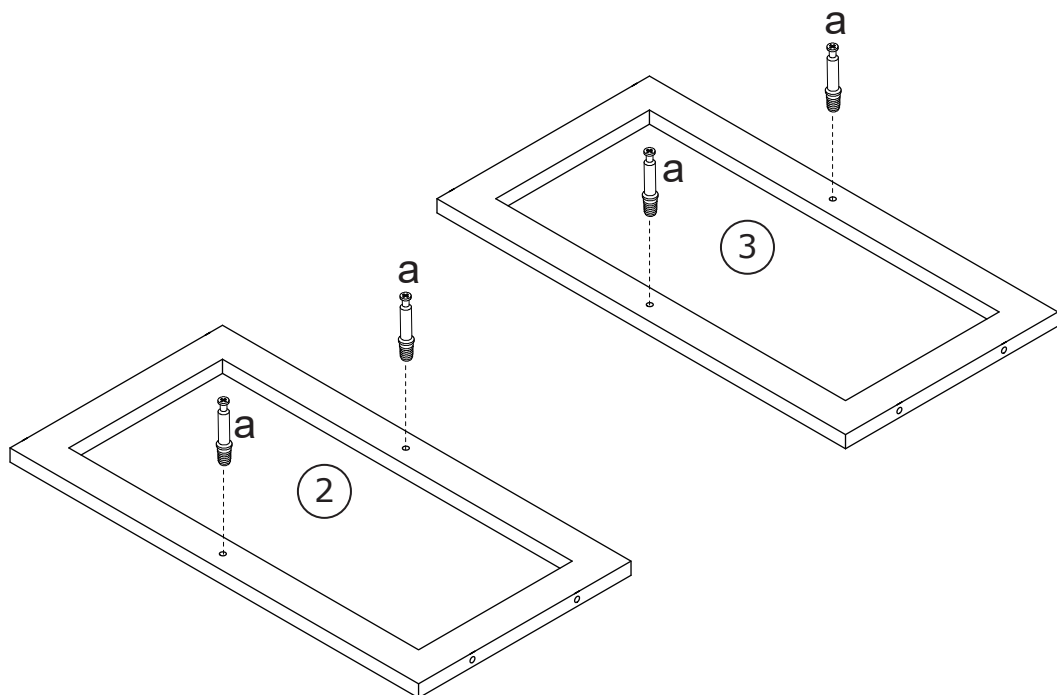
	h x 2
	l x 1



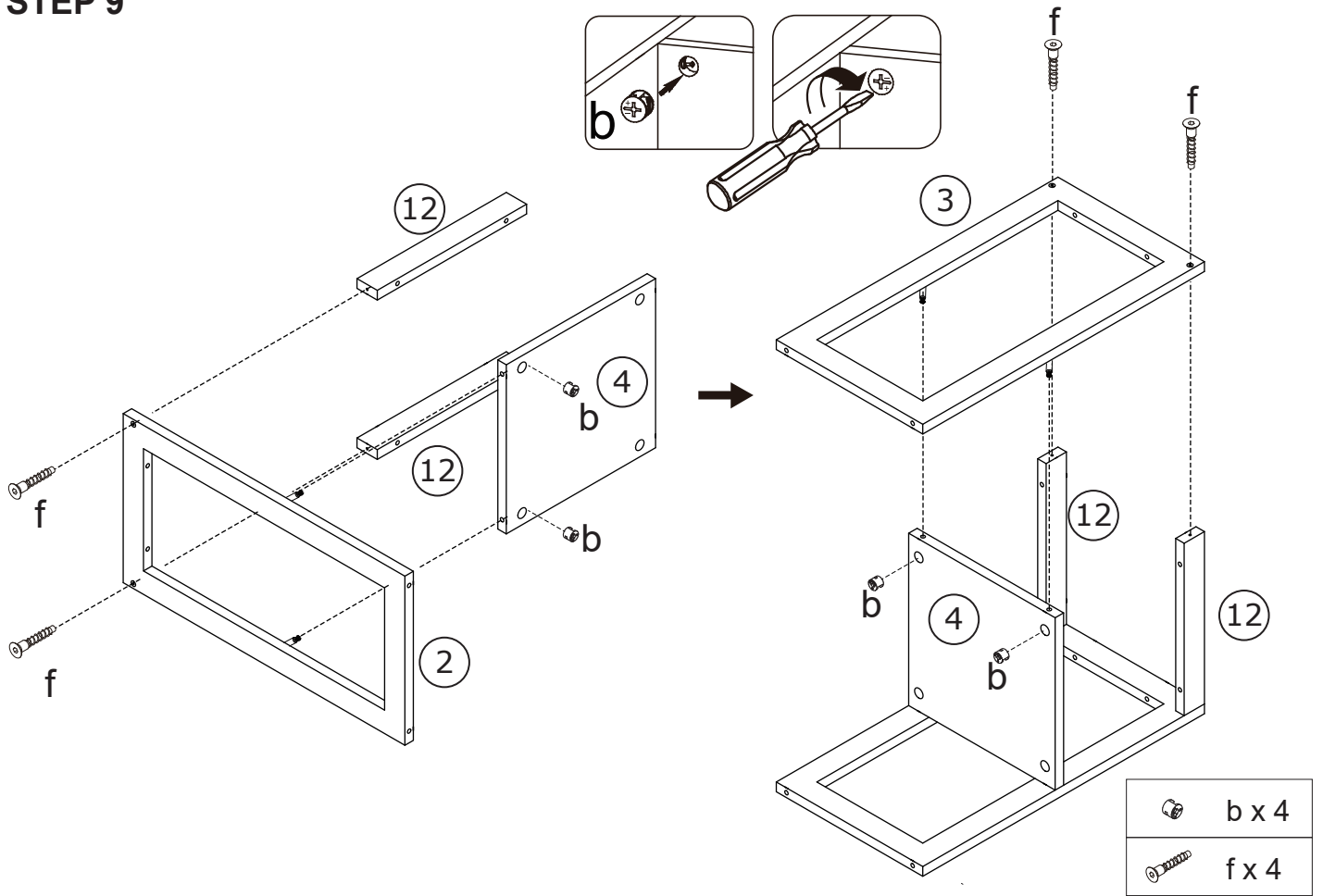
Comment: the door can be hung on either the left or the right

STEP 8

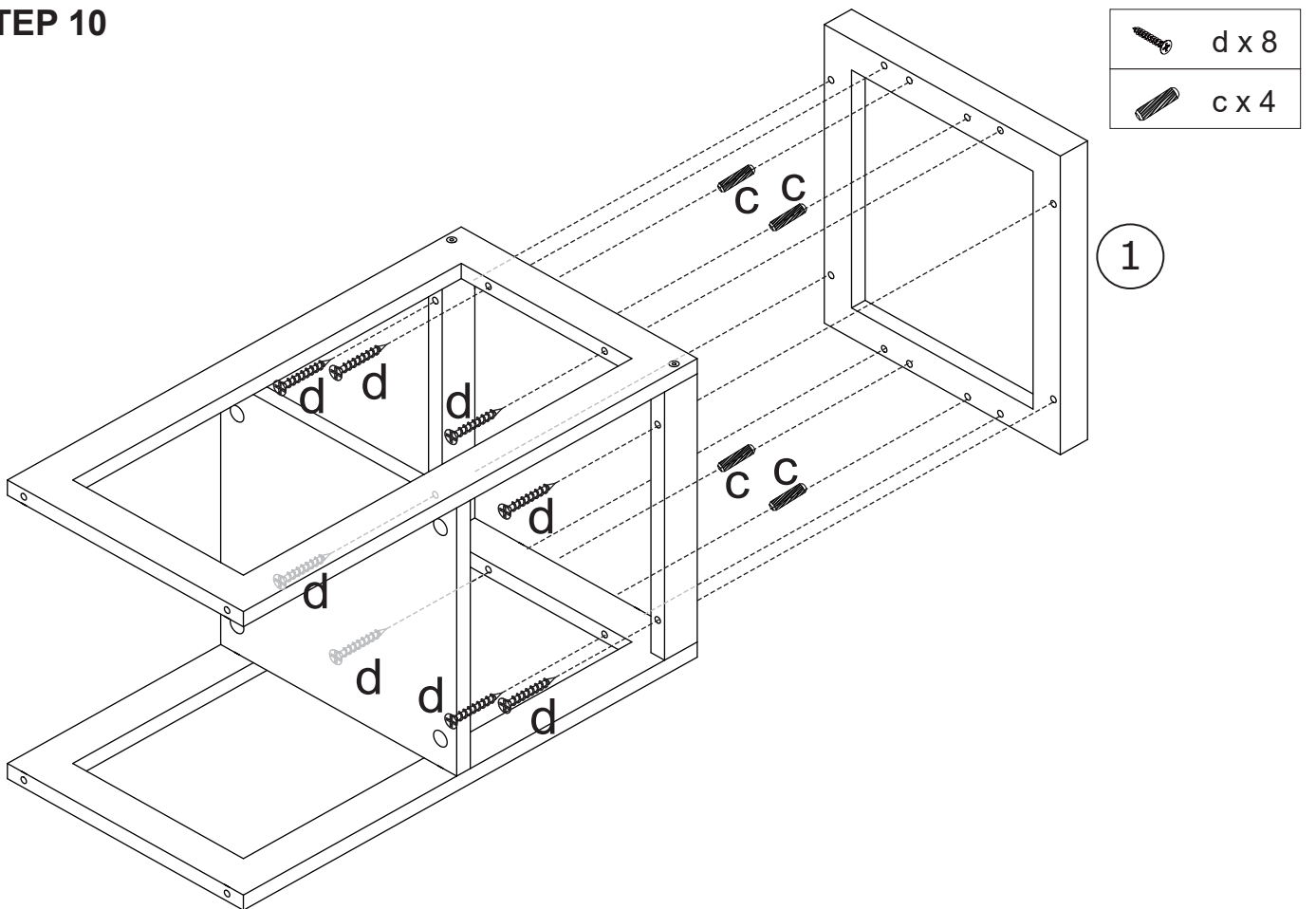
	a x 4
---	-------



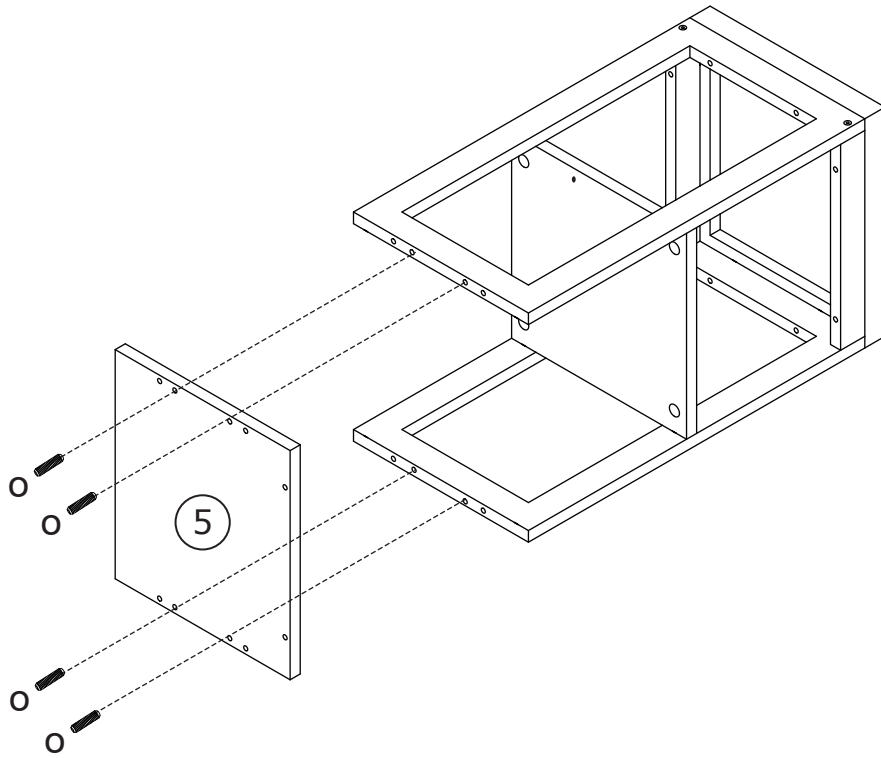
STEP 9



STEP 10

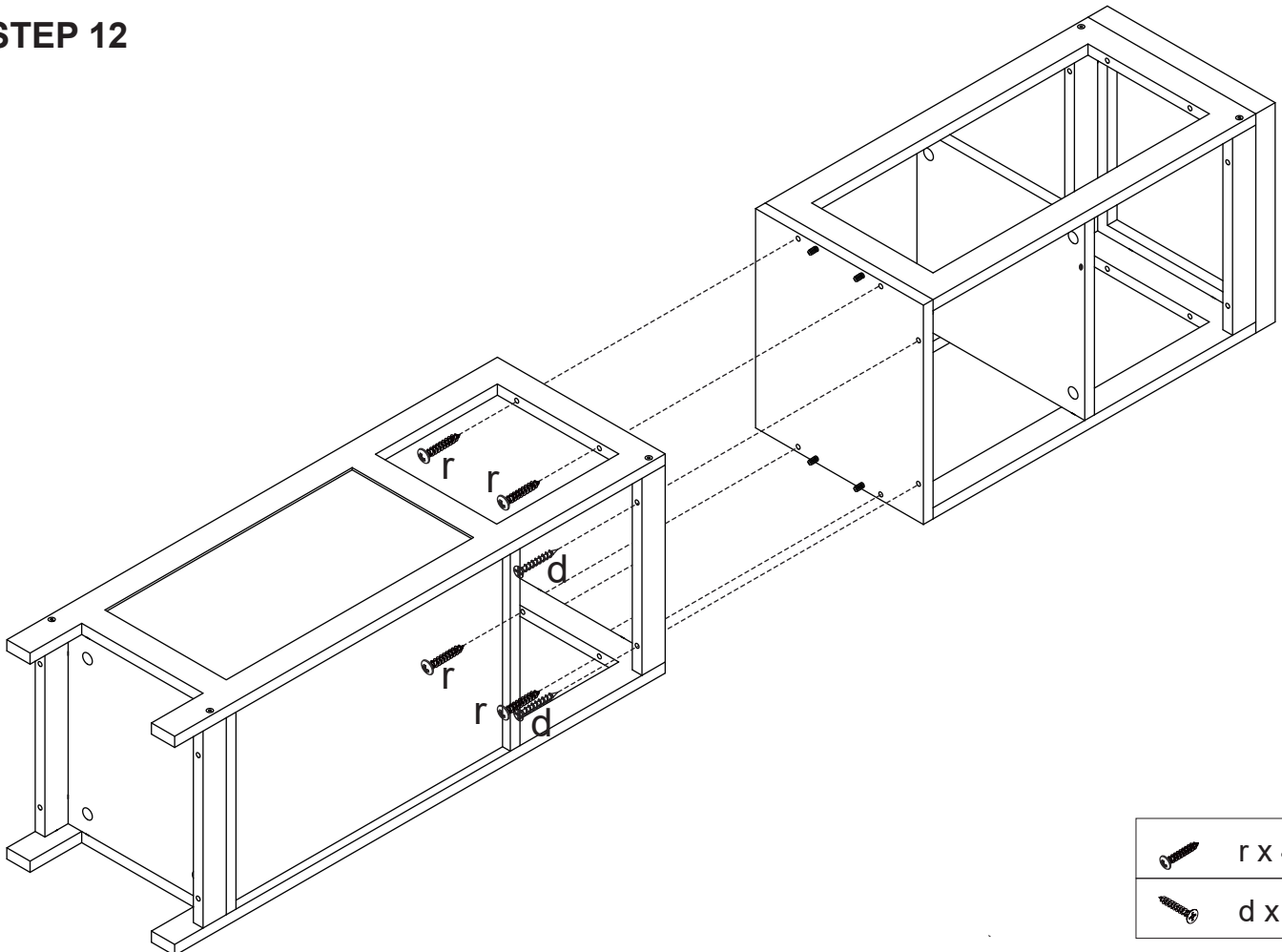




STEP 11



 o x 4

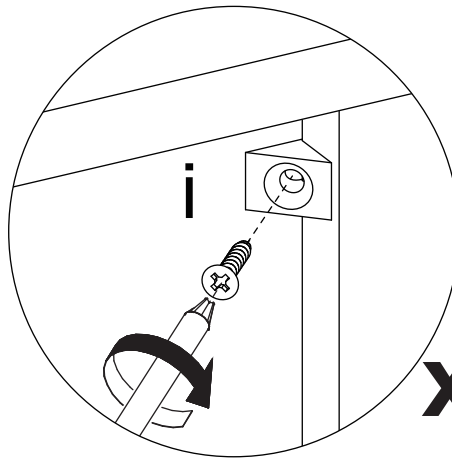
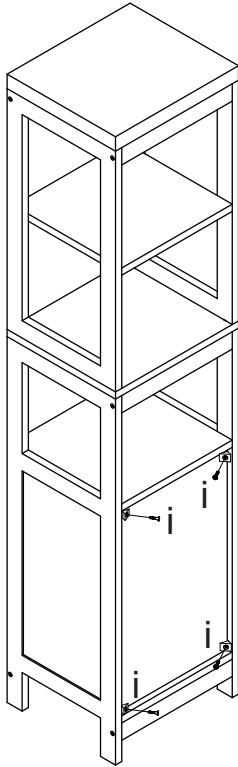
STEP 12



 r x 4
 d x 2

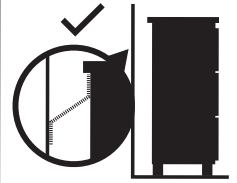
STEP 13

  i x 4



x4

⚠ WARNING



Children have died from furniture tipover.

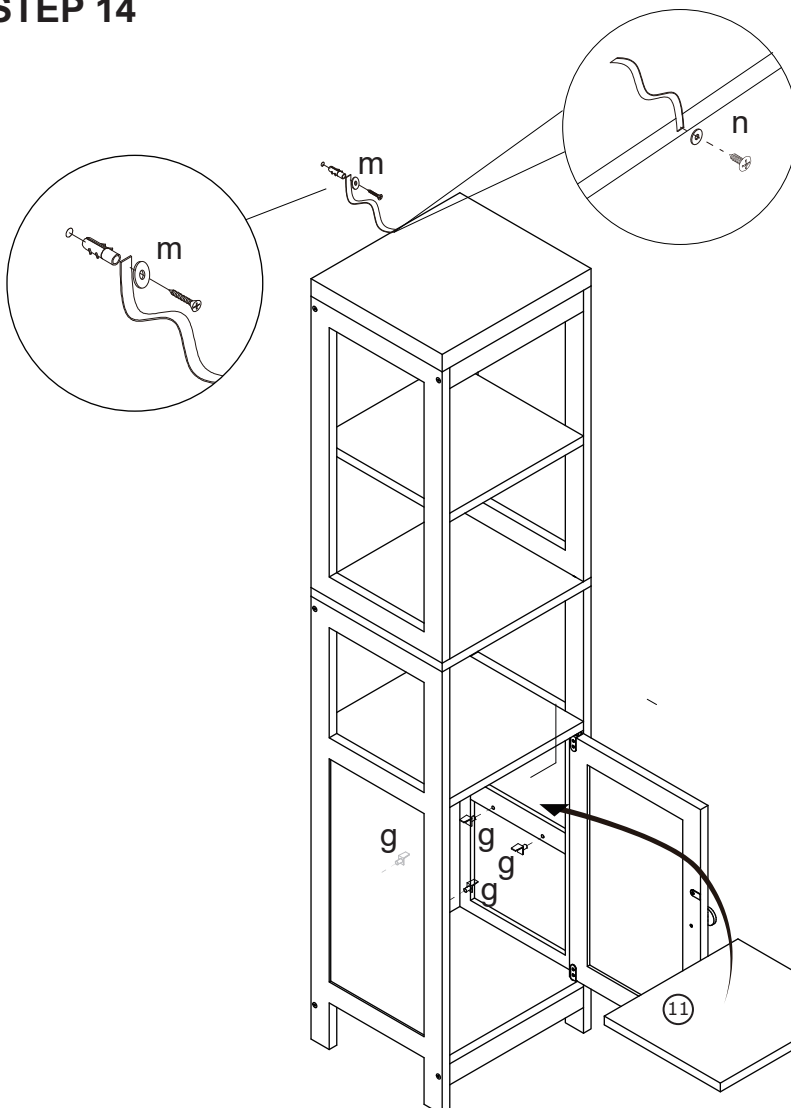
- ALWAYS secure it with an anchor device.
- NEVER allow children to stand, climb or hang on drawers, doors, or shelves.
- NEVER open more than one drawer at a time.
- Place heavy items down low.
- Furniture type is at risk of toppling over.

NEVER put a TV on this furniture



This is a permanent label. Do not remove!

STEP 14



TOPPLING FURNITURE WARNING:

- **ALWAYS** secure it with an anchor device.
- Please seek professional advice if you are in doubt of what fixing device to use.
- Regularly check that anchors are securely maintained.
- Use safety drawer locks to prevent children climbing.
- Stability of tall items may be affected by thick pile carpet or uneven floors .
- Do not place unanchored televisions on furniture .


CAUTION: for your safety when attaching the anchor fixings, please note the following:

- Check any electrical wires or plumbing inside the wall before drilling any holes (if you are unsure please seek professional advice from a qualified tradesperson).



WARNING: PLEASE SECURE YOUR FURNITURE WITH THE SUPPLIED WALL FIXING. SCAN THE CODE FOR MORE INFORMATION.



 g x 4

 n x 1

 m x 1