

Assembly Instructions

K: 43639885 CAMILLE 2 TIER SHOE STORAGE

CARE INSTRUCTIONS:

Wipe clean with a dry cloth. Never use scourers, abrasives or chemical solvents. Keep away from moisture and direct sunlight. Store in a dry place, for indoor use only.

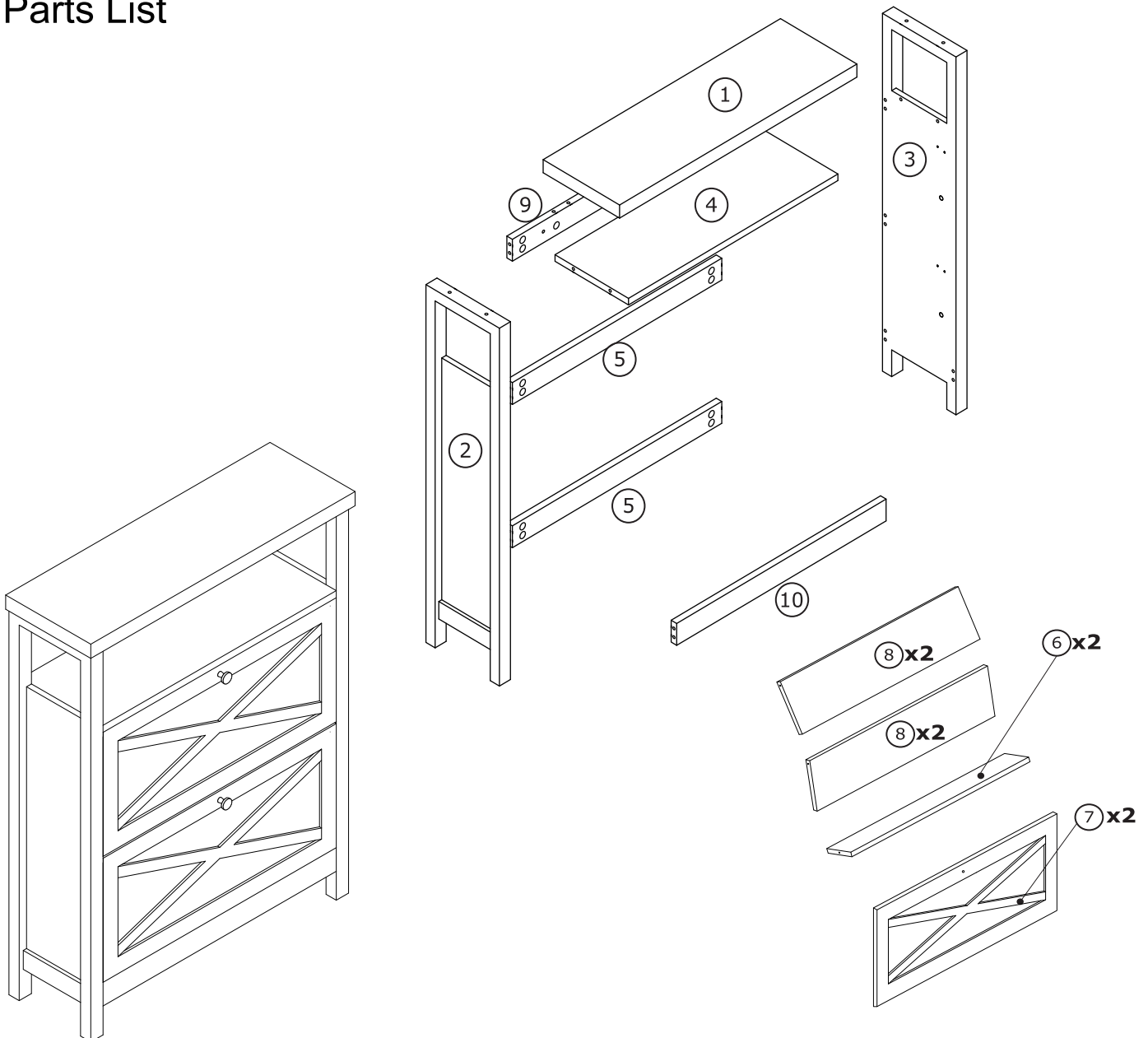
WARNING:

Do not stand, sit, or lean on the unit. Ensure this unit is used only on a flat surface. Do not use this unit unless all bolts and screws are securely fastened. Do not place hot objects, such as coffee cups, directly on the surface of this furniture item. This item is for storage purposes only. It contains small parts, should be properly fastened, and must be assembled by an adult. Failure to follow these warnings could result in serious injury.

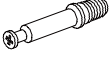



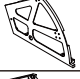

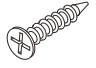
MAXIMUM SAFE LOAD:







10KG FOR TOP PANEL, 10KG FOR EACH SHELF, 5KG FOR DRAWER.

Parts List

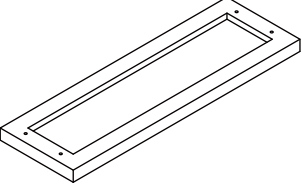
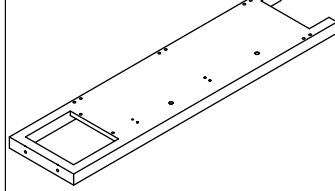
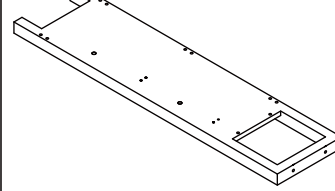
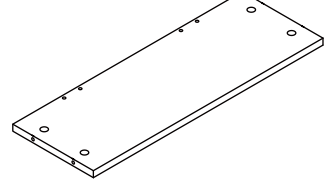
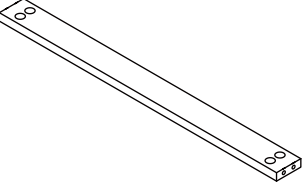
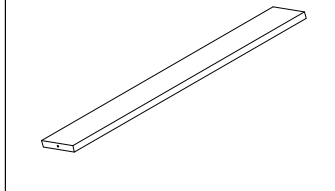
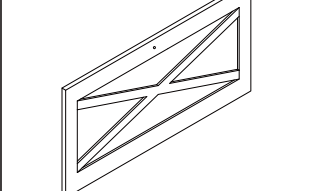
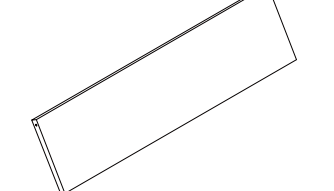
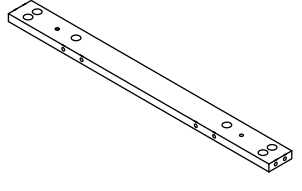
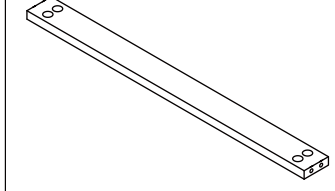


Hardware List

	a	6x35mm	22pcs
	b	15x10mm	22pcs
	c	6x30mm	10pcs
	d		4sets
	L		2pcs
	R		2pcs
	g		16pcs




	h		4pcs
	i		2pcs
	j	4x35mm	4pcs
	k		2sets
	l	4x25mm	12pcs
	m		4pcs

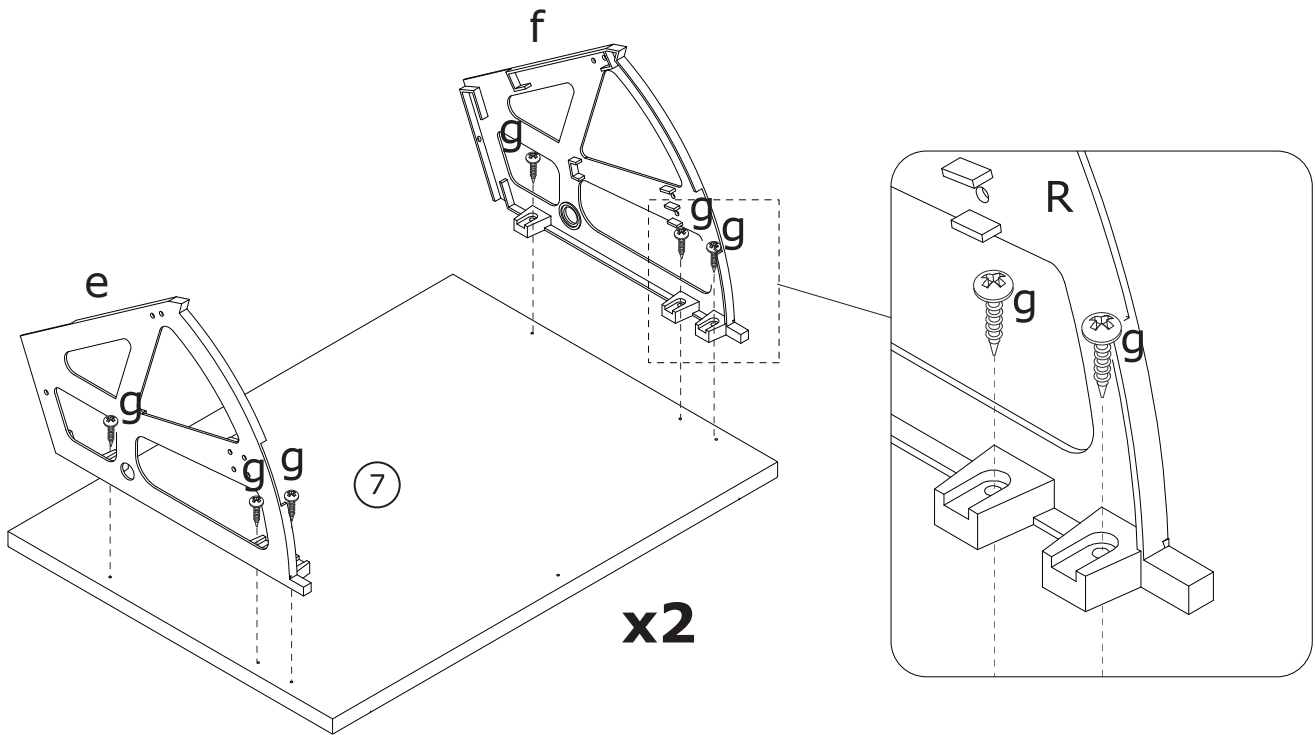
PANEL LAYOUT

			
①	1PC	②	1PC
			
⑤	2PCS	⑥	2PCS
			
⑨	1PC	⑩	1PC



**Do not tighten the screws fully during assembly.
Fully tighten screws after the final assembly steps**

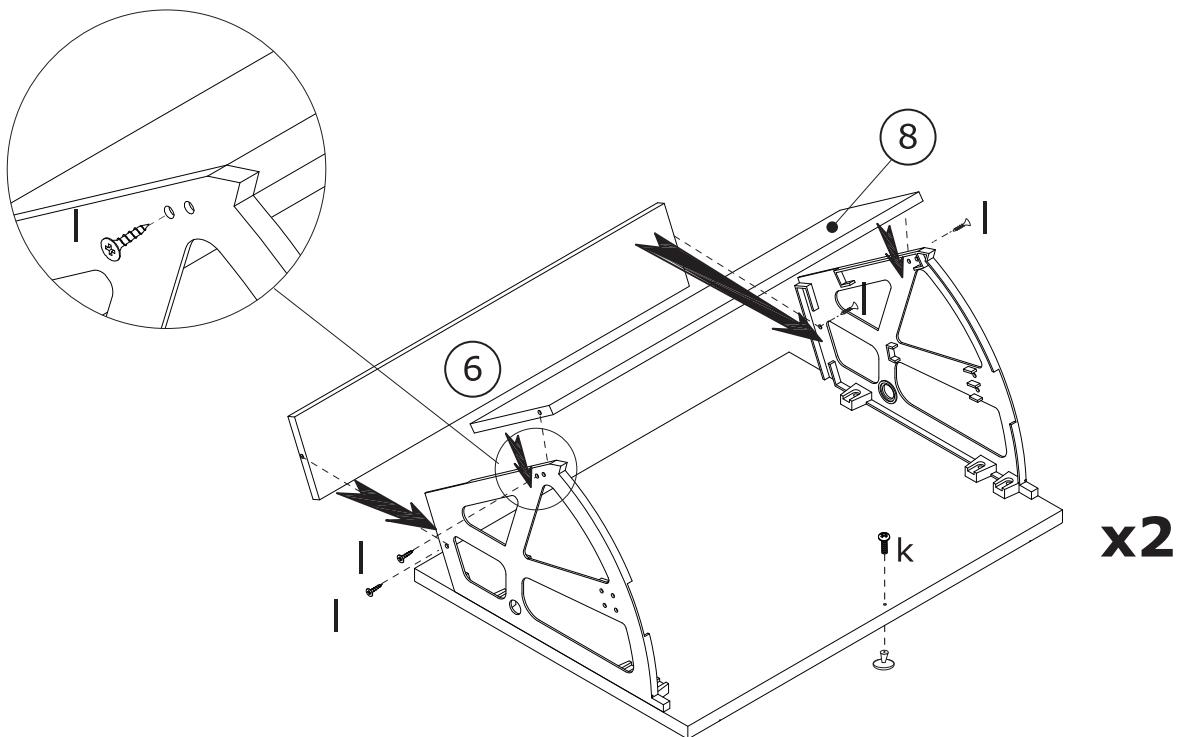
STEP 1

	e x2
	f x2
	gx12

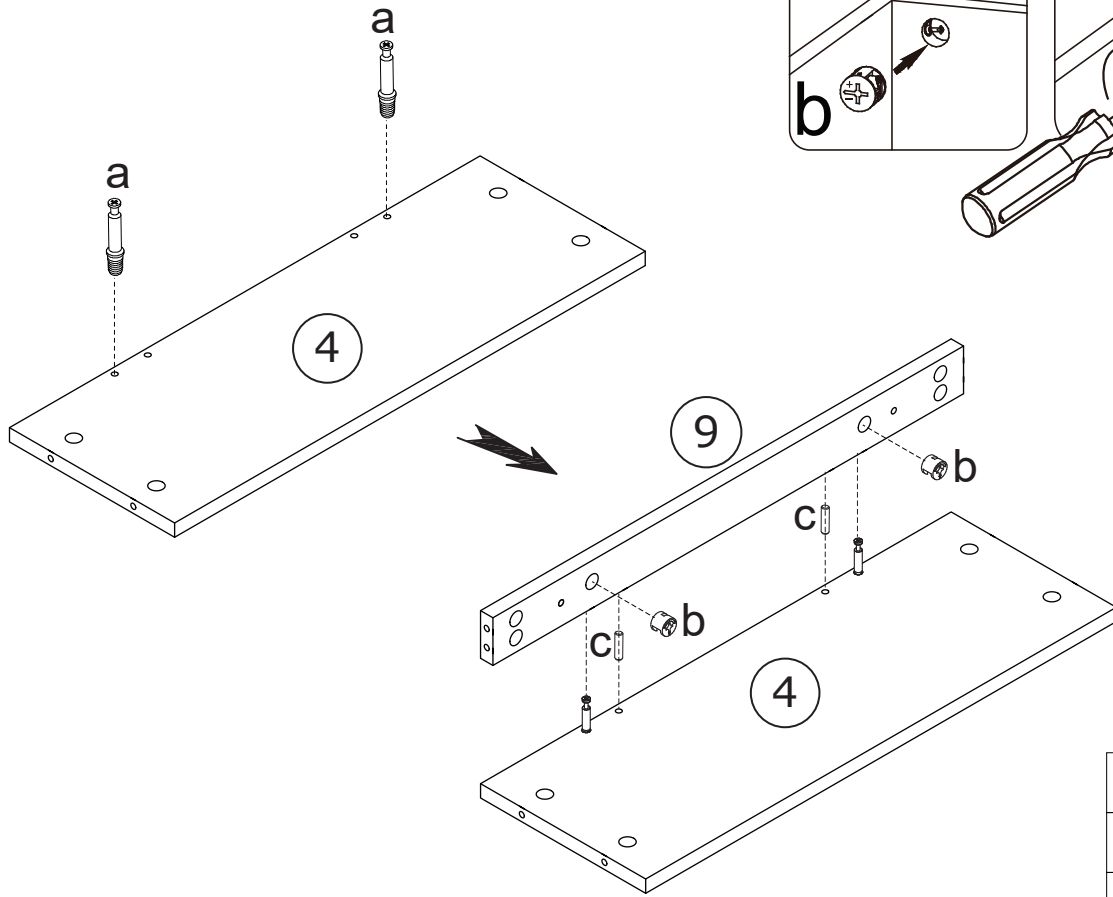





STEP 2

	lx8
	kx2

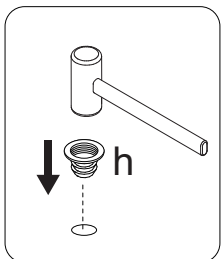
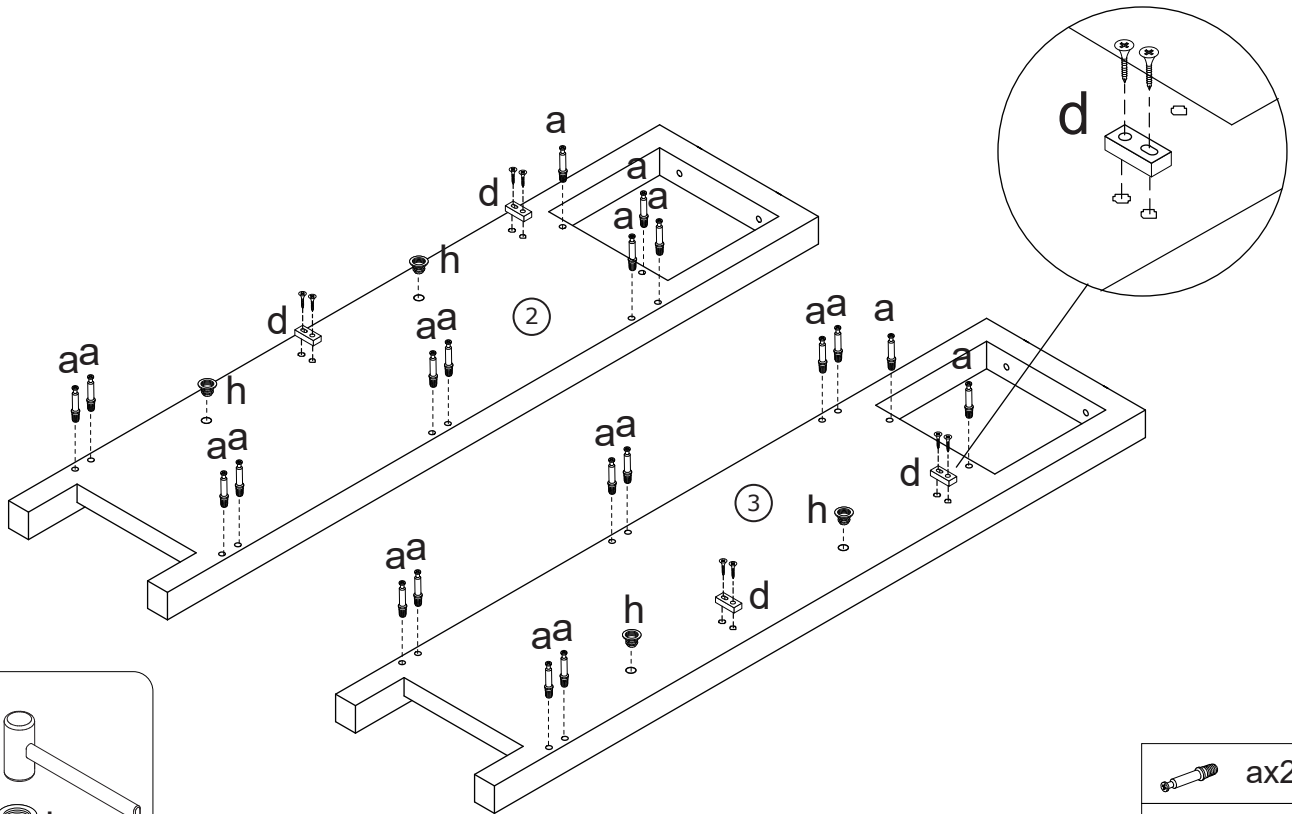





STEP 3



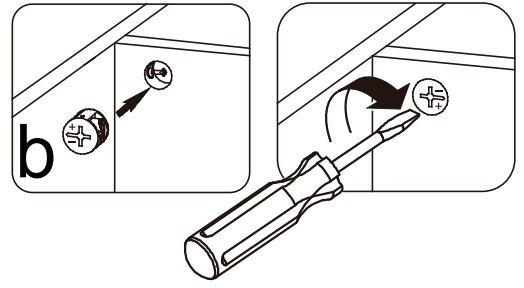
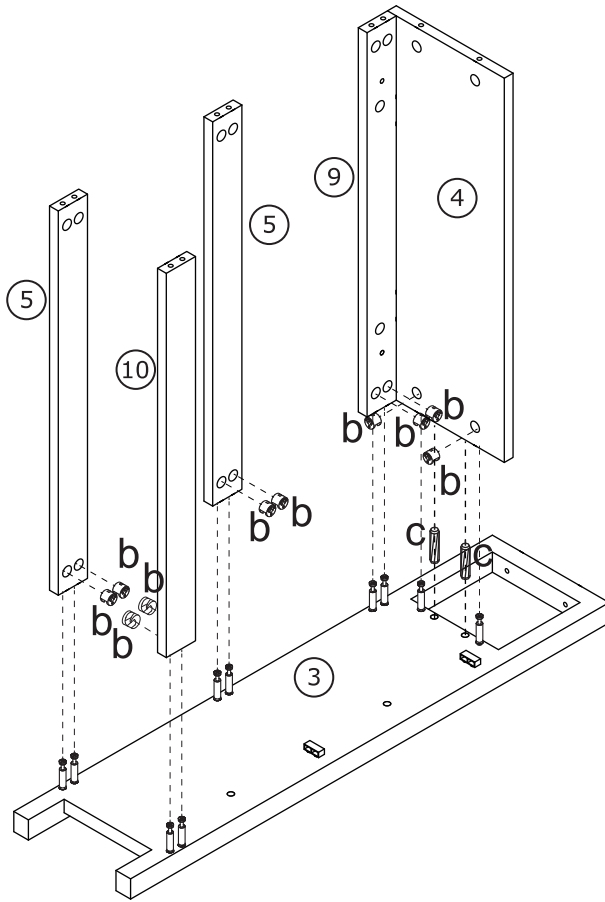
	ax2
	cx2
	bx2



STEP 4



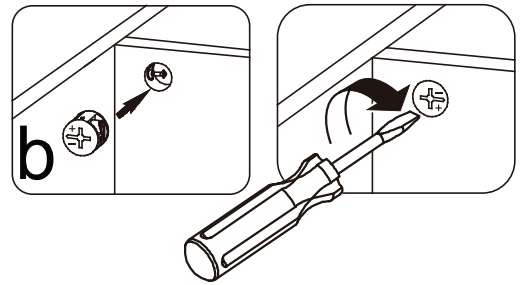
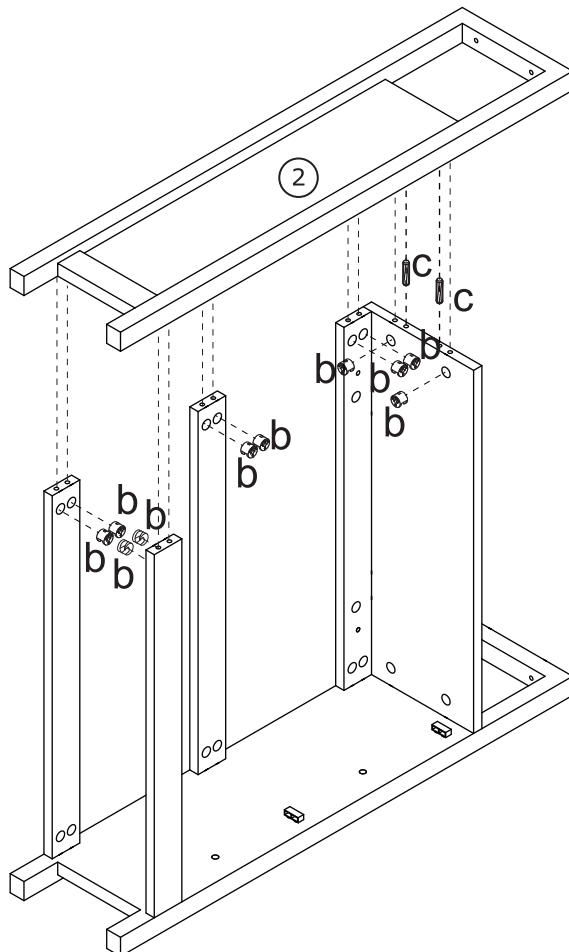
	ax20
	hx4
	dx4



STEP 5



	c x 2
	bx10

STEP 6

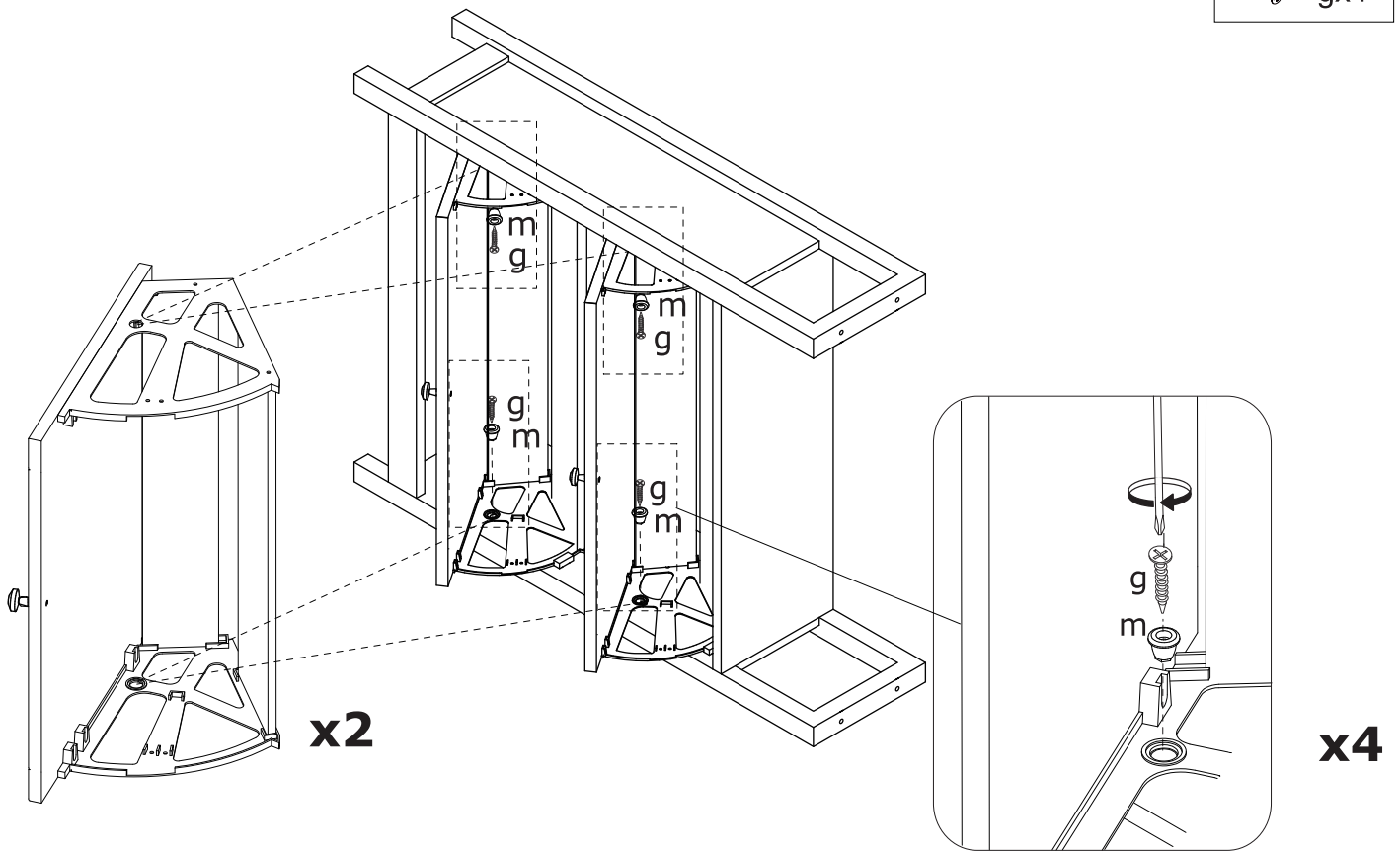


	c x 2
	bx10

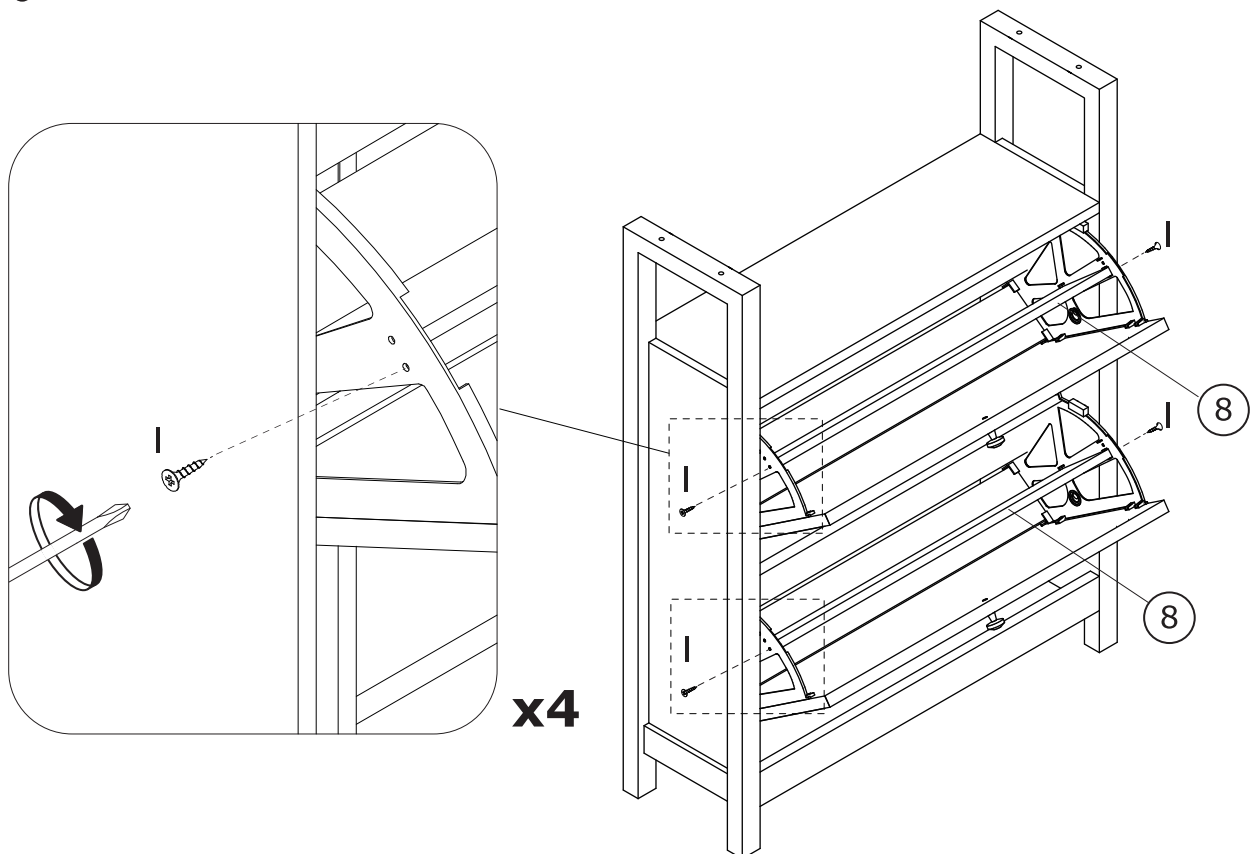
STEP 7

 mx4

 gx4



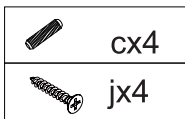
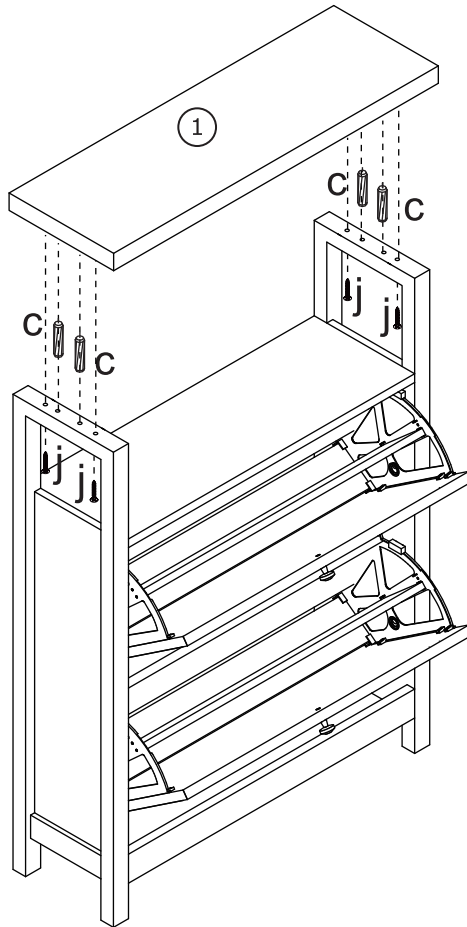
STEP 8



NOTE: Board ⑧ is adjustable or removable to fit different shoes sizes.

 lx4

STEP 9



▲ WARNING

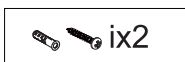
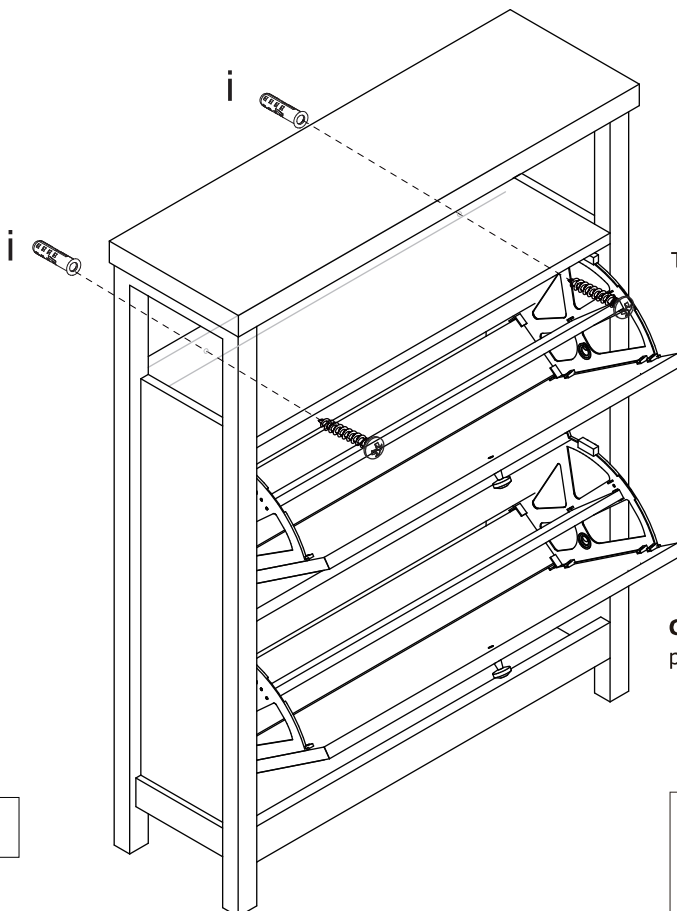
Children have died from furniture tipover.

- ALWAYS secure it with an anchor device.
- NEVER allow children to stand, climb or hang on drawers, doors, or shelves.
- NEVER open more than one drawer at a time.
- Place heavy items down low.

NEVER put a TV on this furniture

This is a permanent label. Do not remove!

STEP 10



TOPPLING FURNITURE WARNING:

- **ALWAYS secure it with an anchor device.**
- **Please seek professional advice if you are in doubt of what fixing device to use.**
- **Regularly check that anchors are securely maintained.**
- **Use safety drawer locks to prevent children climbing.**
- **Stability of tall items may be affected by thick pile carpet or uneven floors .**
- **Do not place unanchored televisions on furniture .**

CAUTION: for your safety when attaching the anchor fixings, please note the following:

- **Check any electrical wires or plumbing inside the wall before drilling any holes (if you are unsure please seek professional advice from a qualified tradesperson).**



WARNING: PLEASE SECURE YOUR FURNITURE WITH THE SUPPLIED WALL FIXING. SCAN THE CODE FOR MORE INFORMATION.

