

Assembly Instruction

43637768 MILLIE CHEST OF DRAWERS

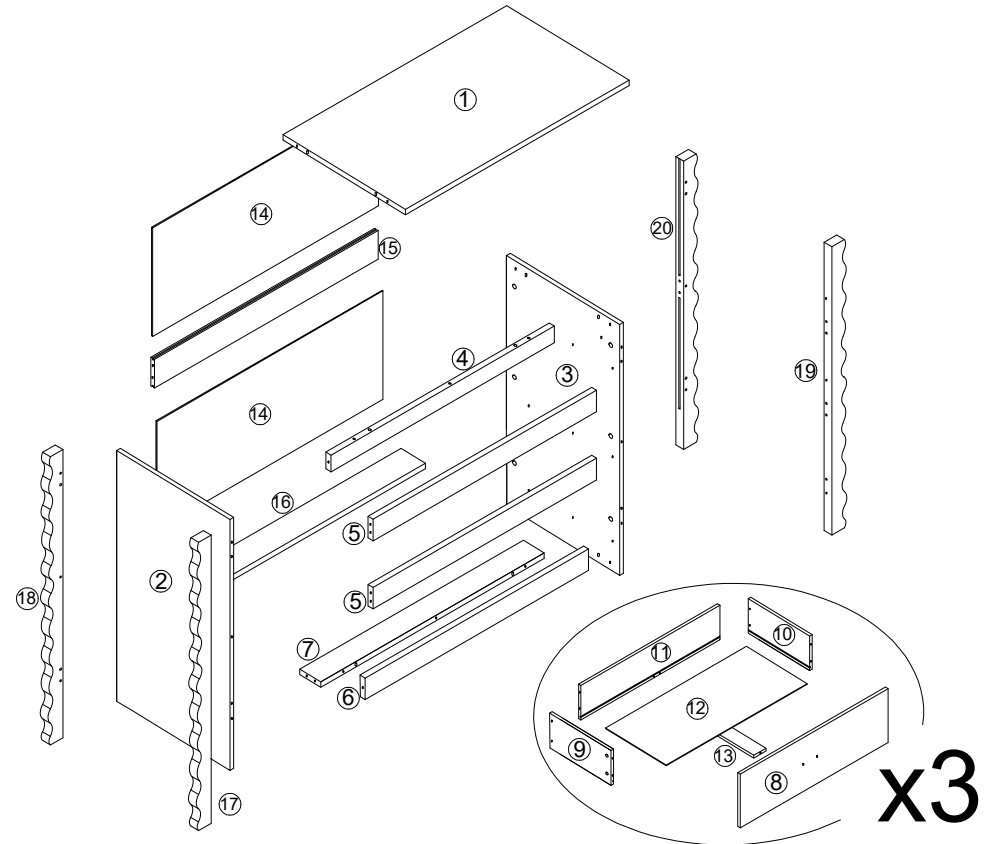
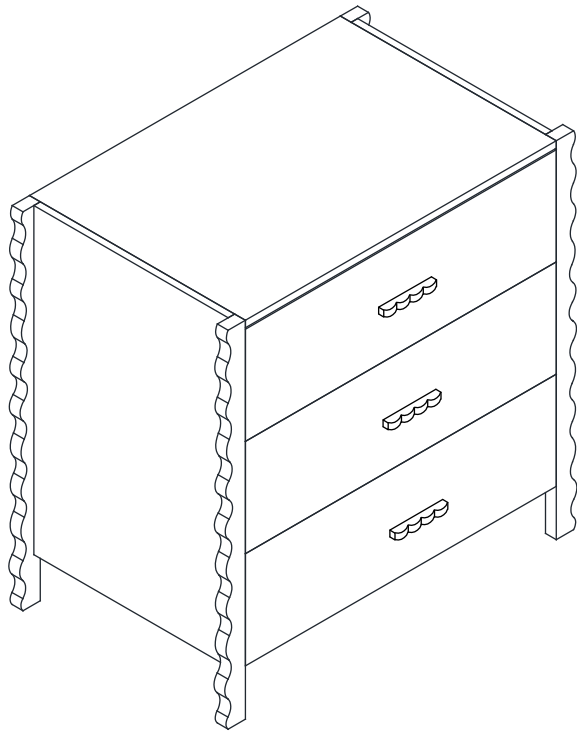
CARE INSTRUCTIONS:

WIPE CLEAN WITH A SOFT DAMP CLOTH. DO NOT USE ABRASIVE MATERIALS AND SOLVENTS. CHECK AND TIGHTEN ALL PARTS REGULARLY. DO NOT PLACE HOT ITEMS SUCH AS COFFEE CUPS DIRECTLY ON THE SURFACE. KEEP AWAY FROM WATER AND DIRECT SUNLIGHT. STORE IN A DRY PLACE. FOR DOMESTIC USE ONLY. FOR INDOOR USE ONLY. A MILD ODOUR MAY BE PRESENT WHEN FIRST OPENING THIS CARTON. SIMPLY ALLOW TO AIR OUTSIDE AND THIS WILL FADE.

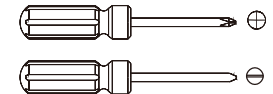
WARNING:

DO NOT STAND OR SIT ON THIS UNIT. DO NOT USE THIS UNIT UNLESS ALL BOLTS AND SCREWS ARE FIRMLY SECURED. DO NOT KNOCK OR DRAG THIS UNIT. USE ONLY ON A FLAT SURFACE. LOAD TOP AND DRAWER EVENLY TO PREVENT FROM TIPPING OVER. THIS PACKAGE CONTAINS SMALL PARTS AND SHARP POINTS. KEEP AWAY FROM CHILDREN AND BABIES. ADULT ASSEMBLY REQUIRED. FAILURE TO FOLLOW THESE WARNINGS COULD RESULT IN SERIOUS INJURY.

MAXIMUM SAFE LOAD: 15KGS FOR TOP, 7.5KGS FOR DRAWER.



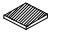





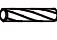





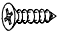




Tools Required (Not Provided)

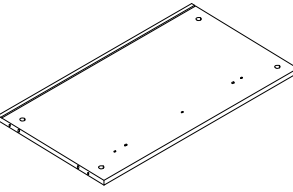
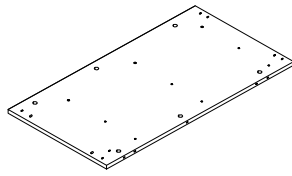
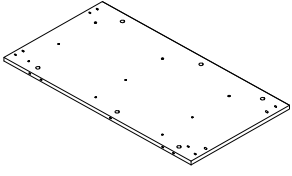
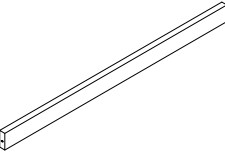
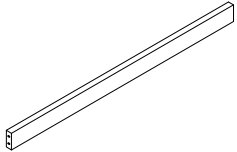
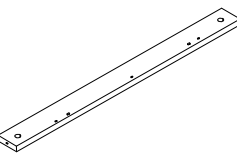
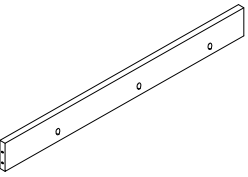
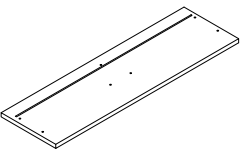
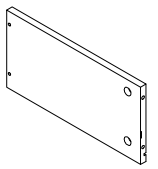
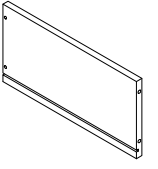
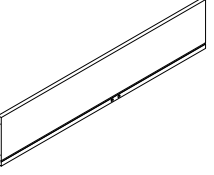
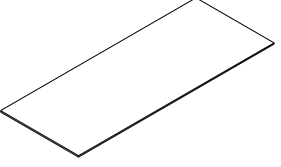
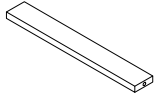
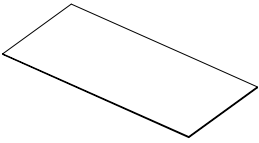
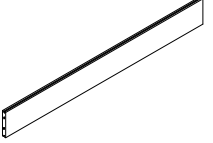
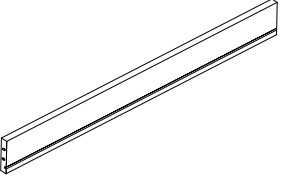
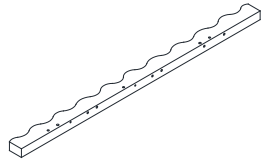
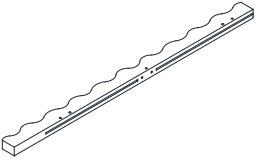
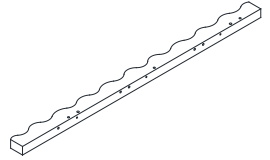
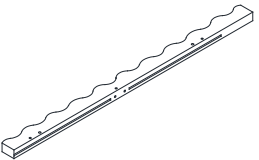


Do not tighten the screws fully during assembly.
Fully tighten screws after the final assembly steps.

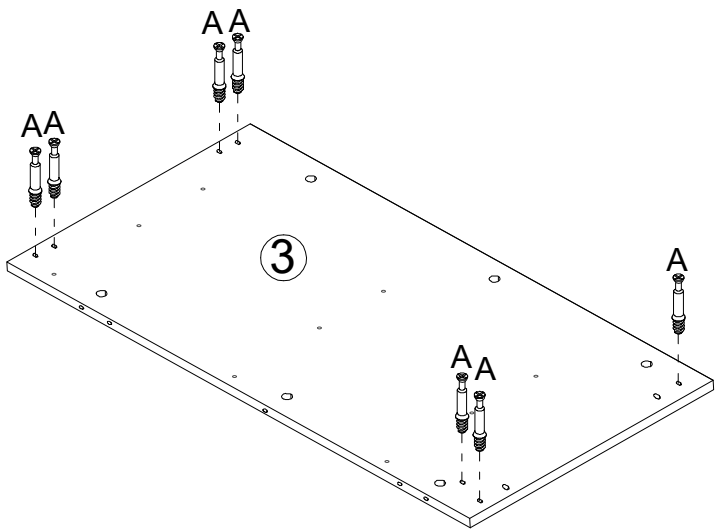
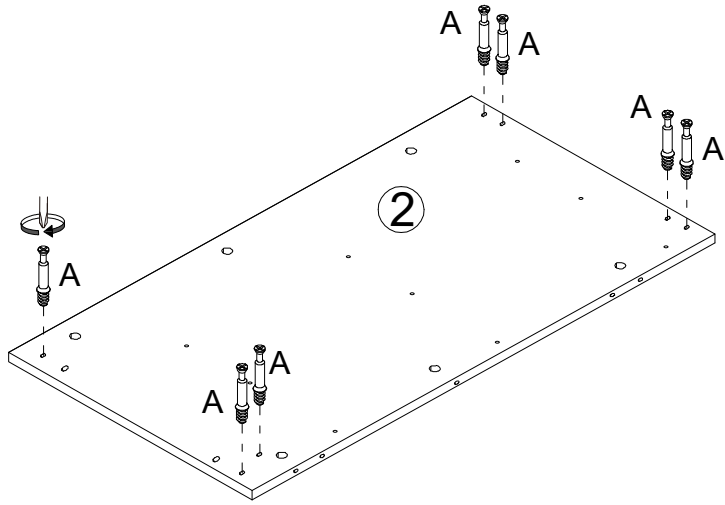
Hardware List

	A	6x35mm	61pcs		F	4x18mm	6pcs		K		4pcs		DL	300mm	3pcs
	B	15x10mm	61pcs		G	4x14mm	2pcs		L		8pcs		DR	300mm	3pcs
	C	6x30mm	12pcs		H		2pcs		M	3x16mm	8pcs				
	D	4x35mm	20pcs		I	8x30mm	4pcs		N	4mm	4pcs				
	E	3x12mm	42pcs		J		3pcs		O		2pcs				

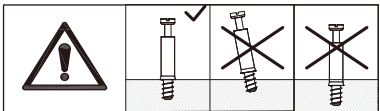
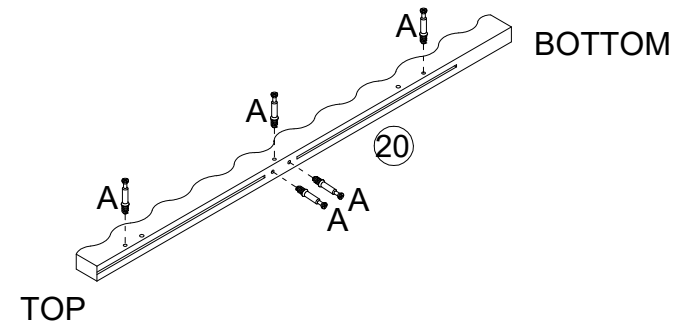
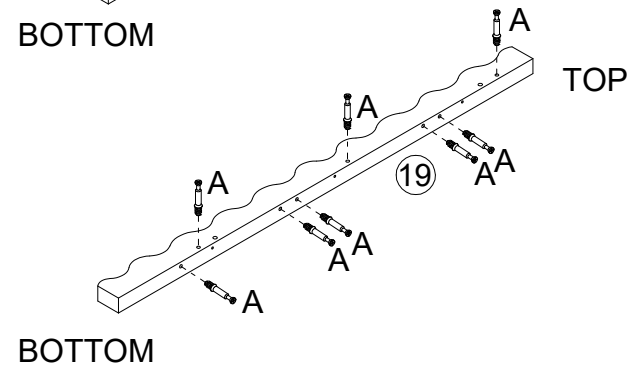
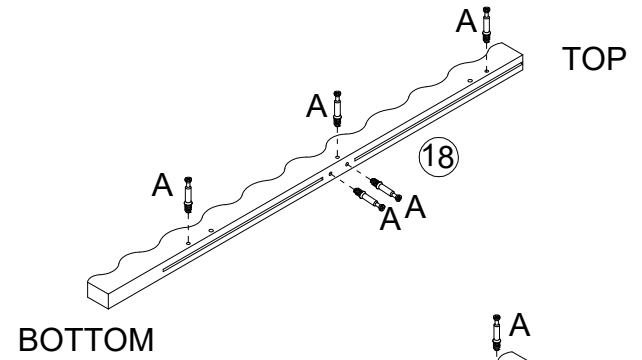
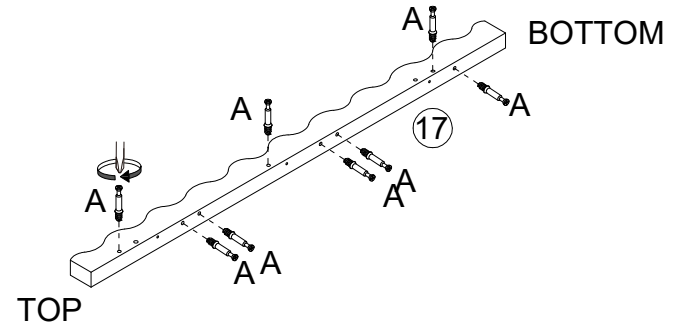
Part List

	①	1PC		②	1PC		③	1PC		④	1PC		⑤	2PCS
	⑥	1PC		⑦	1PC		⑧	3PCS		⑨	3PCS		⑩	3PCS
	⑪	3PCS		⑫	3PCS		⑬	3PCS		⑭	2PCS		⑮	1PC
	⑯	1PC		⑰	1PC		⑱	1PC		⑲	1PC		⑳	1PC

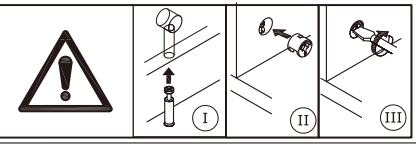
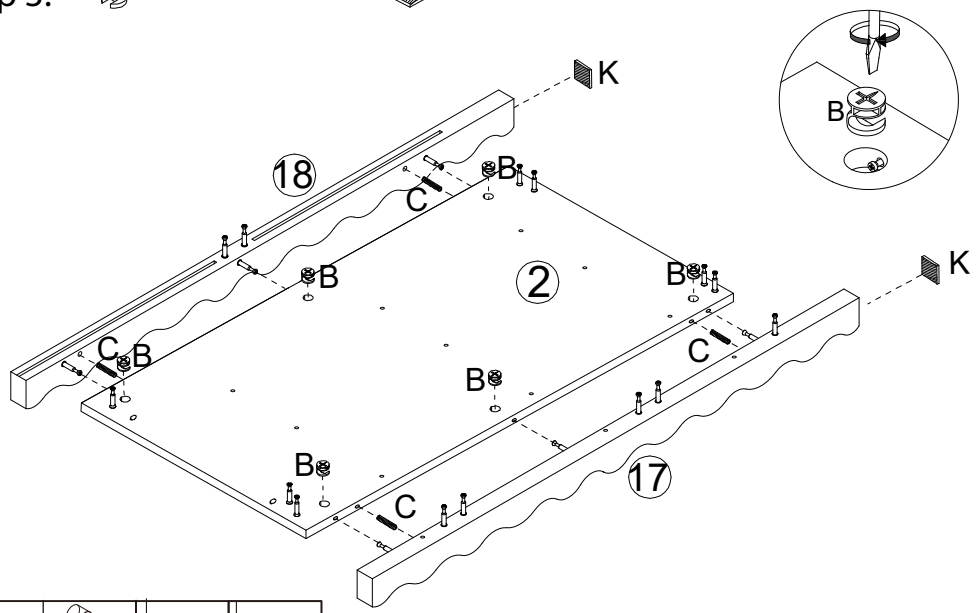
Step 1:  Ax14



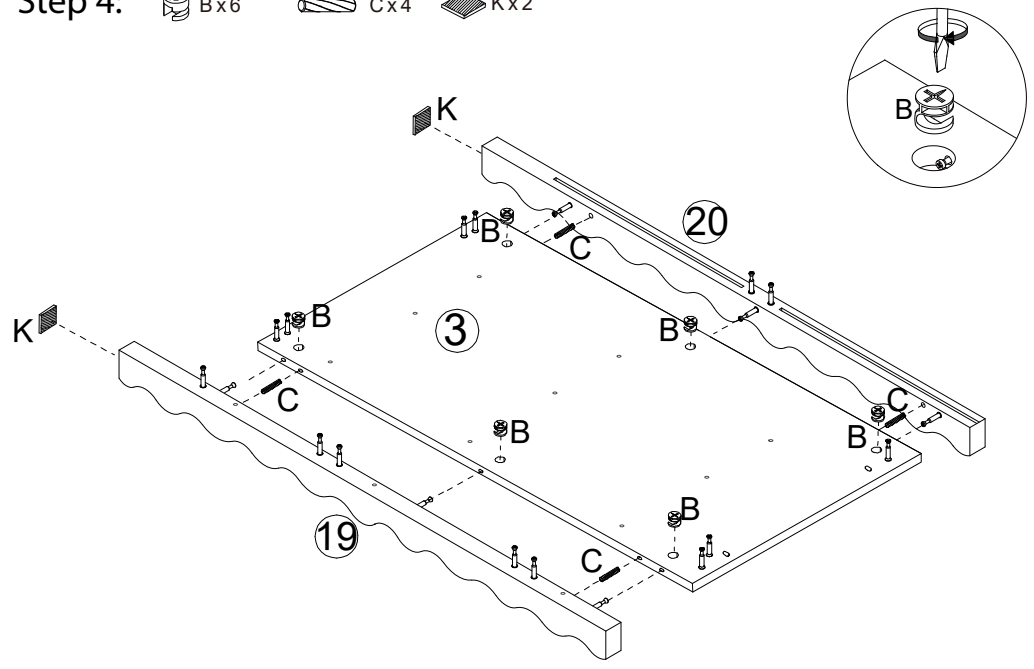
Step 2:  Ax26



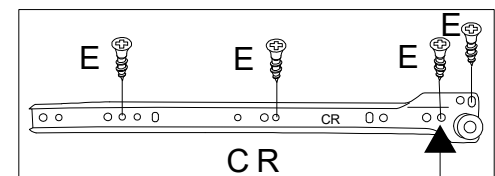
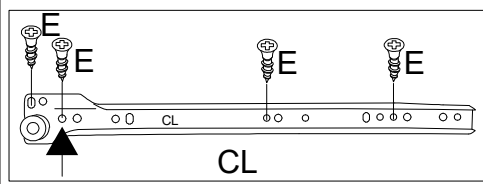
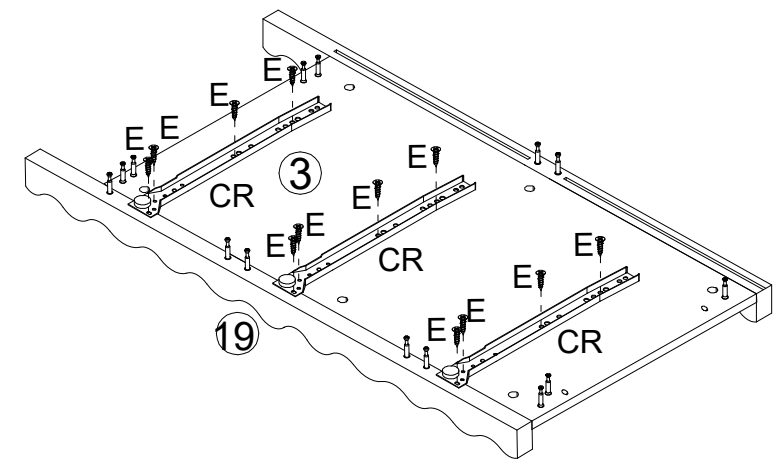
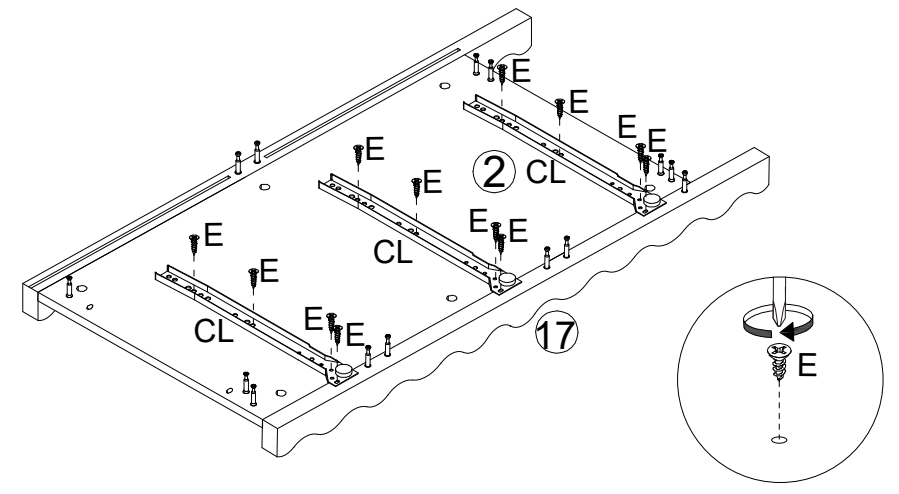
Step 3: Bx6 Cx4 Kx2



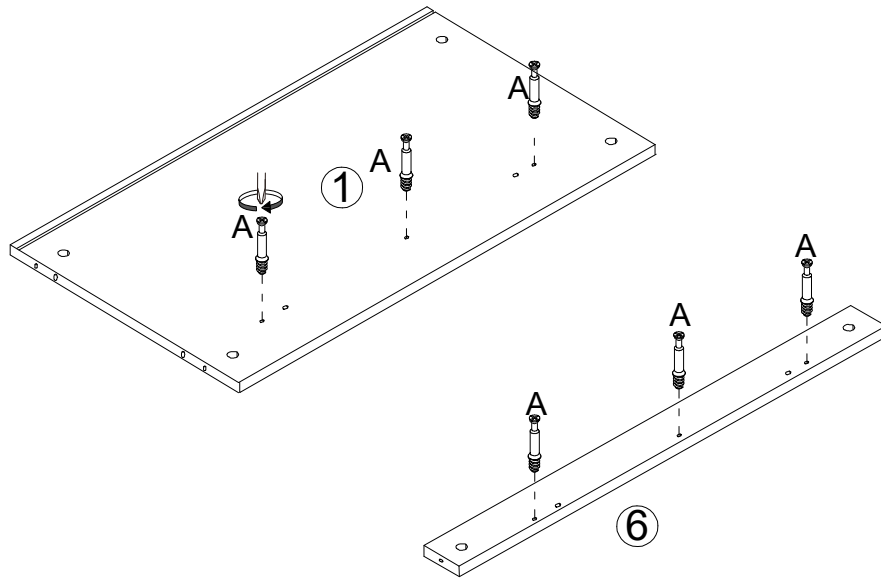
Step 4: Bx6 Cx4 Kx2



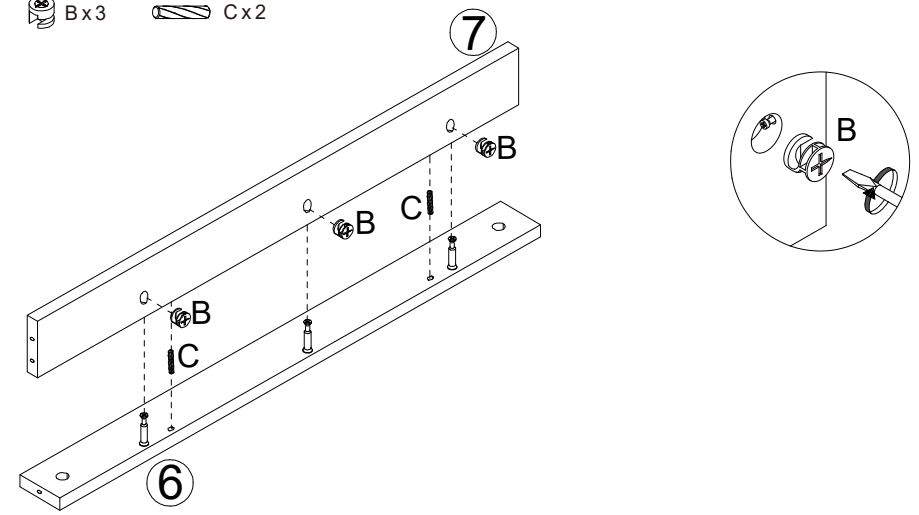
Step 5: Ex24 CLx3 CRx3



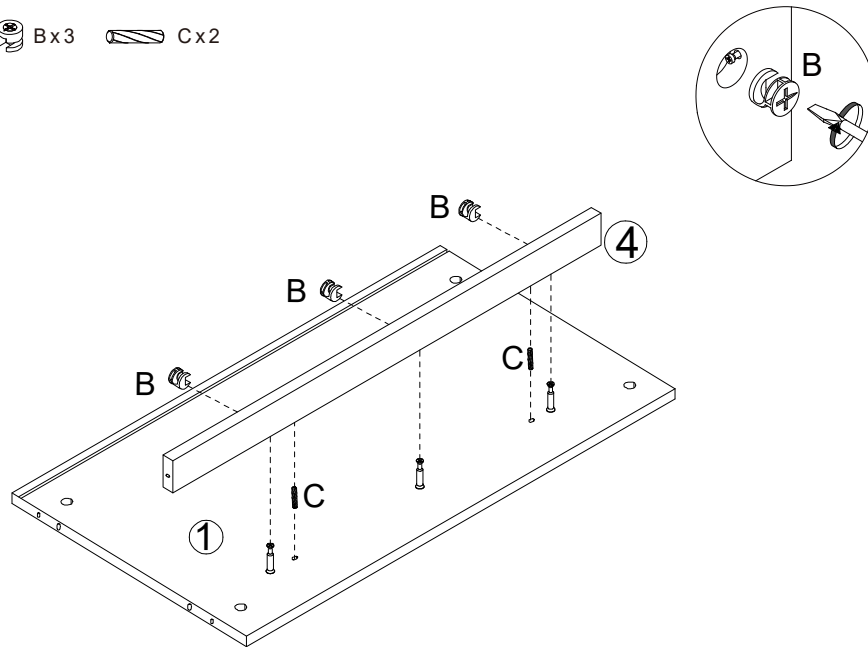
Step 6:  Ax6



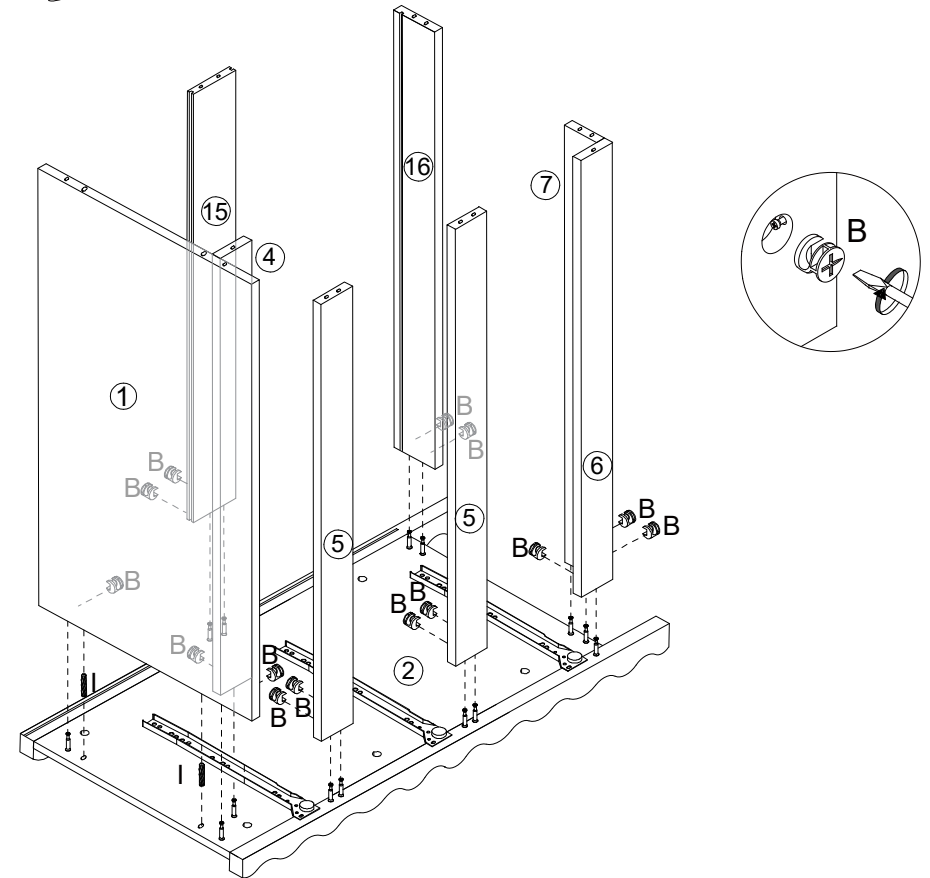
Step 8:  Bx3  Cx2



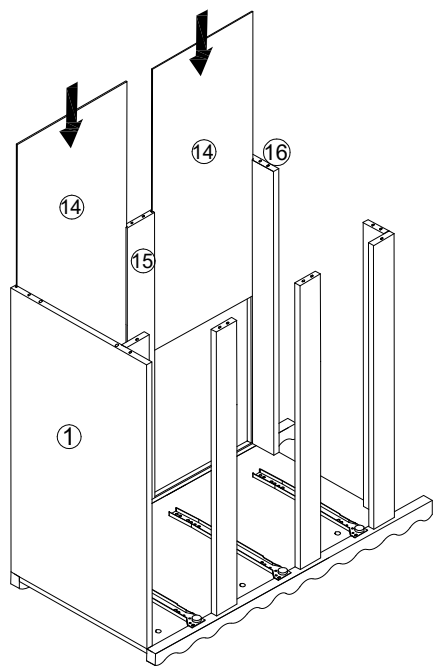
Step 7:  Bx3  Cx2



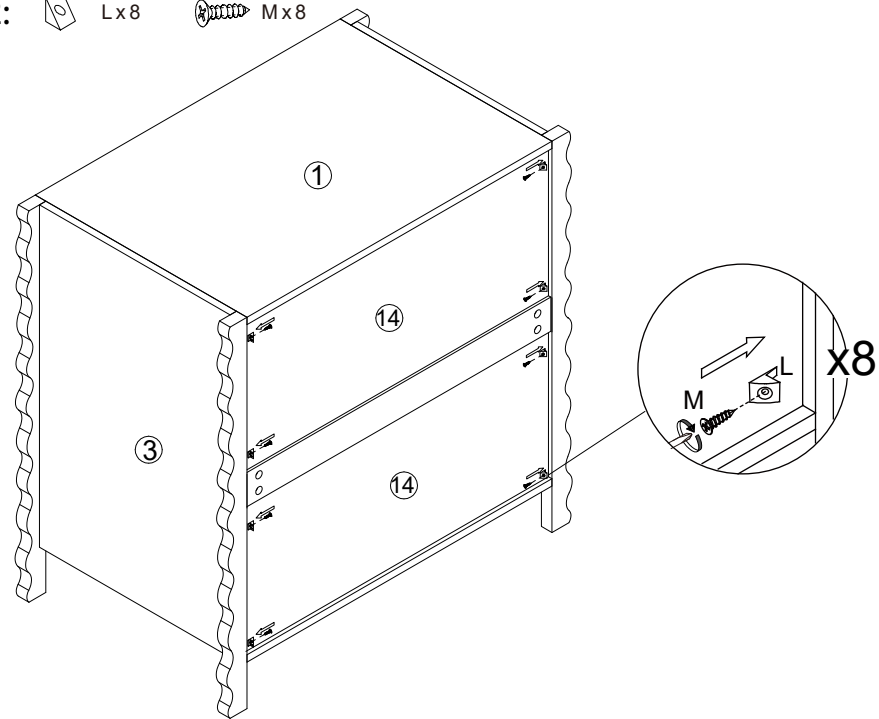
Step 9:  Bx14  Ix2



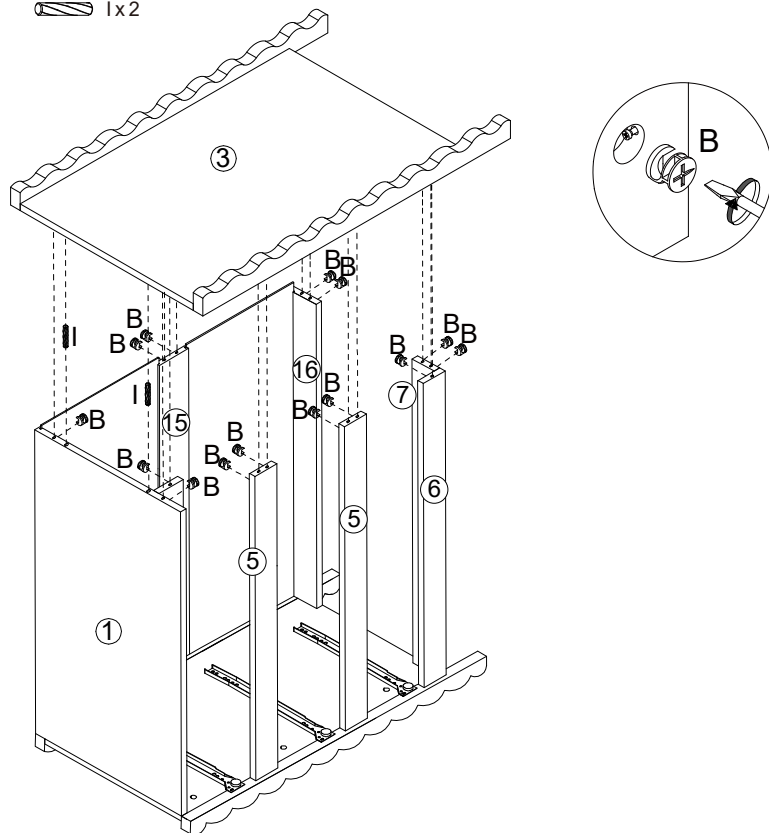
Step 10:



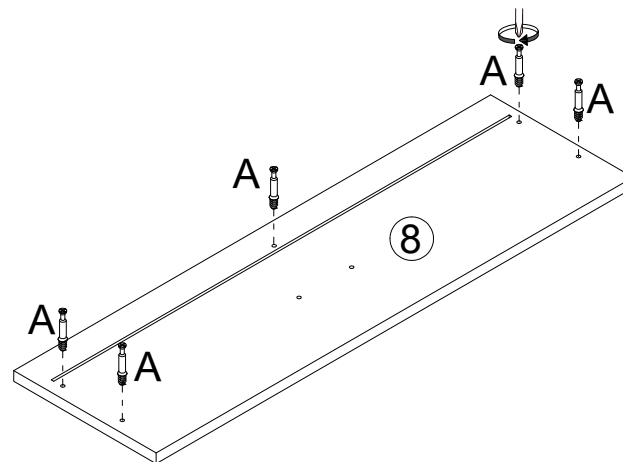
Step 12: Lx8 Mx8



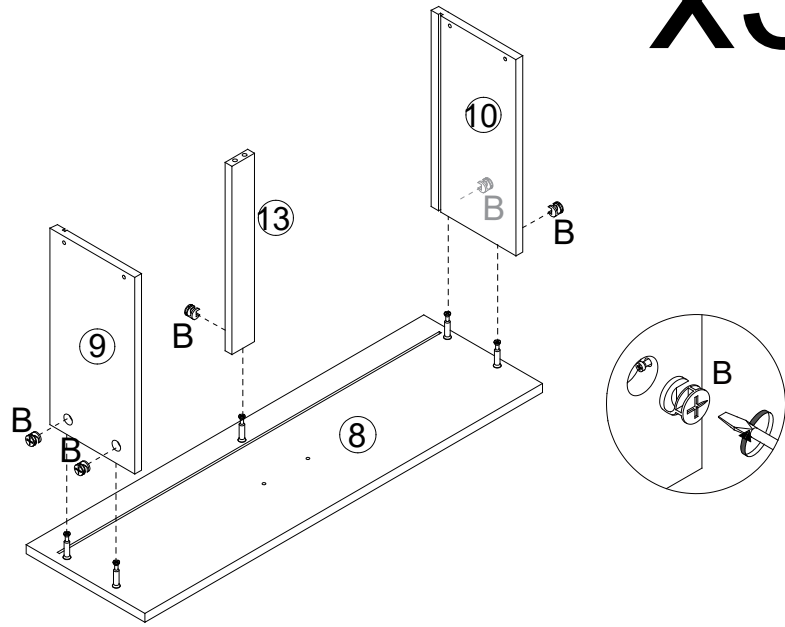
Step 11: Bx14 lx2



Step 13: Ax15

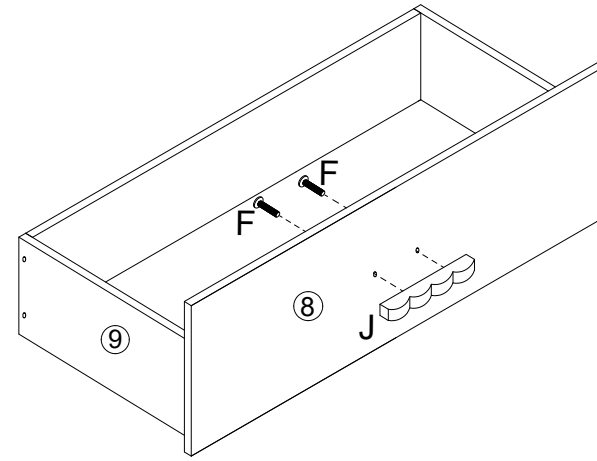


Step 14: Bx15



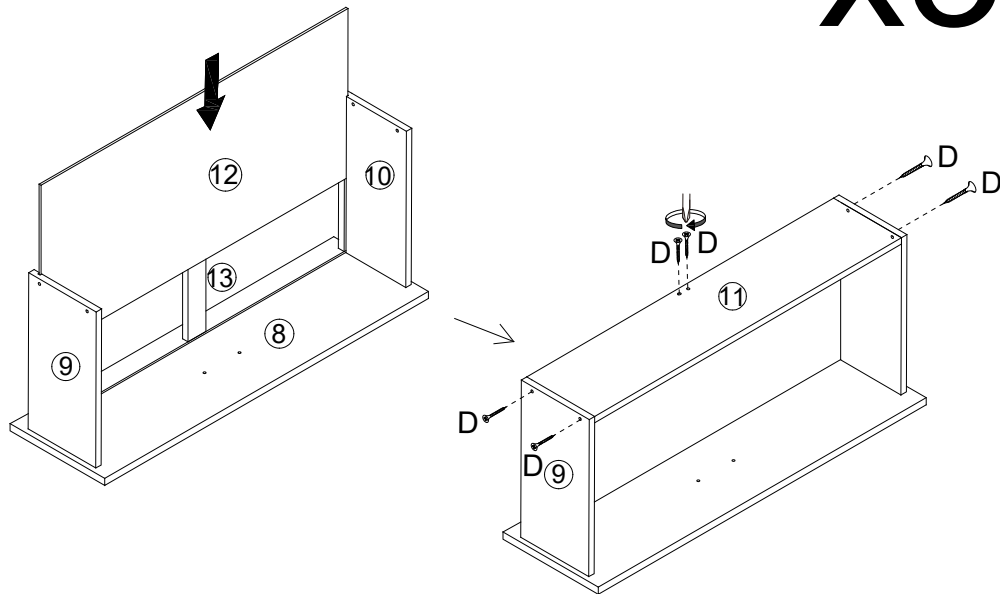
x3

Step 16: Fx6 Jx3



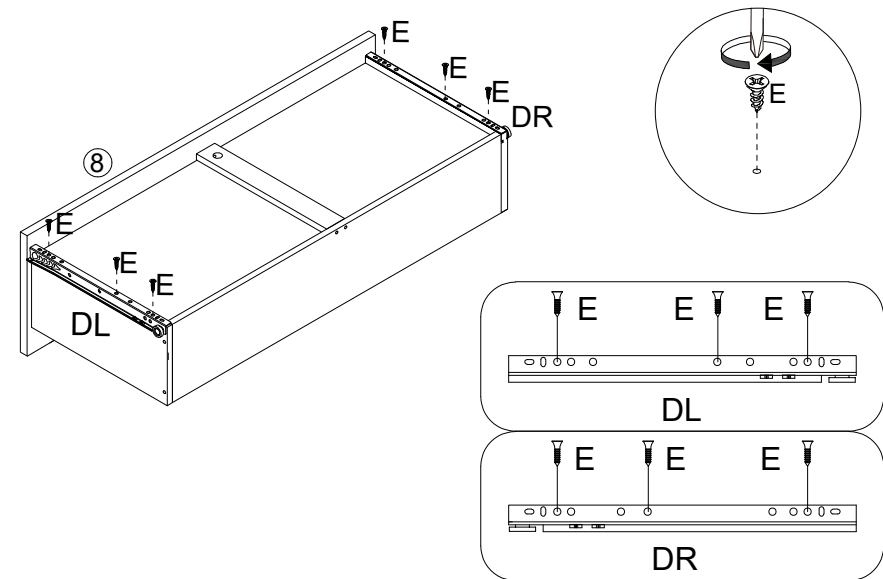
x3

Step 15: Dx18



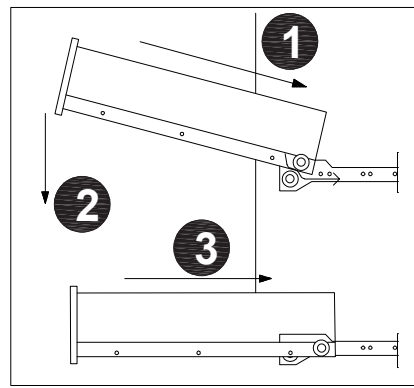
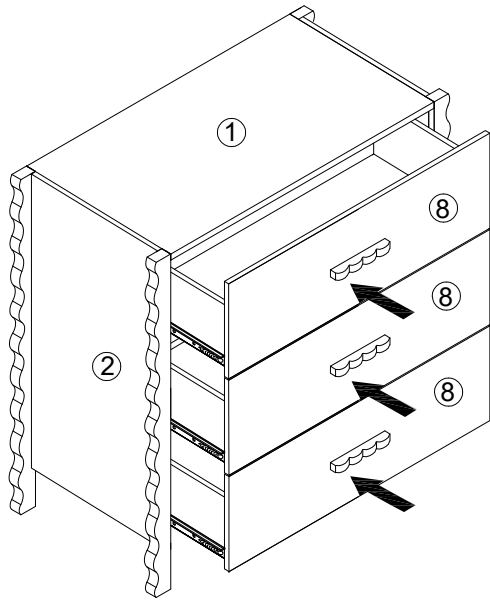
x3

Step 17: Ex18 DLx3 DRx3



x3

Step 18:

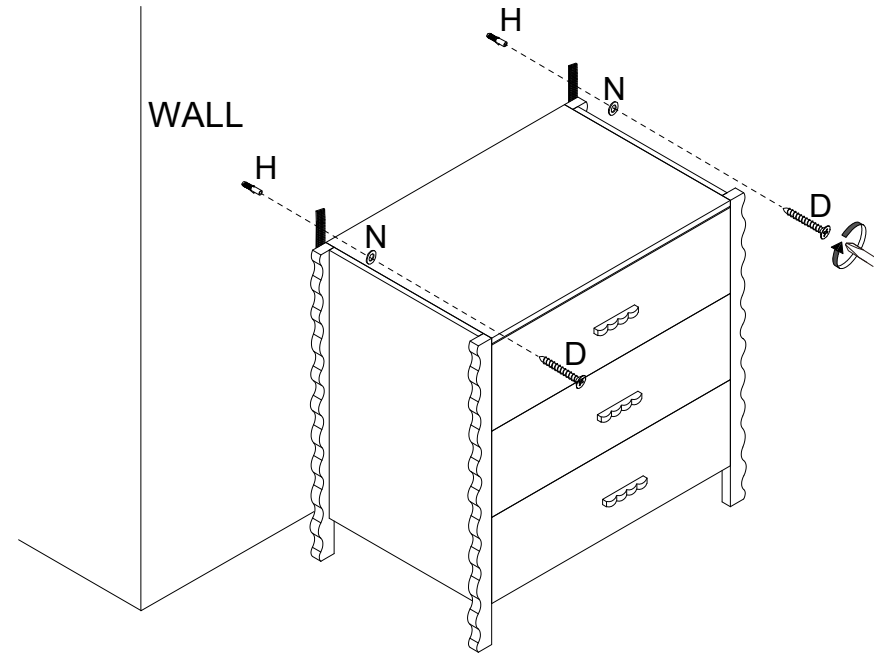


Step 20:

Dx2

Hx2

Nx2

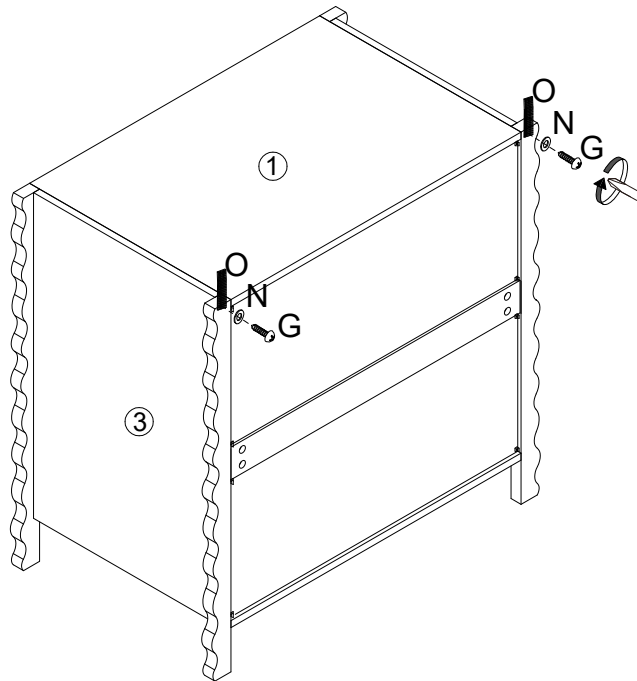


Step 19:

Gx2

Nx2

Ox2



TOPPLING FURNITURE WARNING:

- **ALWAYS secure it with an anchor device.**
- **Please seek professional advice if you are in doubt of what fixing device to use.**
- **Regularly check that anchors are securely maintained.**
- **Use safety drawer locks to prevent children climbing.**
- **Stability of tall items may be affected by thick pile carpet or uneven floors .**
- **Do not place unanchored televisions on furniture .**

CAUTION: for your safety when attaching the anchor fixings, please note the following:

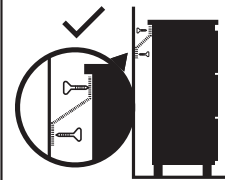
- **Check any electrical wires or plumbing inside the wall before drilling any holes (if you are unsure please seek professional advice from a qualified tradesperson).**



WARNING: PLEASE SECURE YOUR FURNITURE WITH THE SUPPLIED WALL FIXING. SCAN THE CODE FOR MORE INFORMATION.



WARNING



Children have died from furniture tipover.

- ALWAYS secure it with an anchor device.
- NEVER allow children to stand, climb or hang on drawers, doors, or shelves.
- NEVER open more than one drawer at a time.
- Place heavy items down low.

NEVER put a TV on this furniture



This is a permanent label. Do not remove!