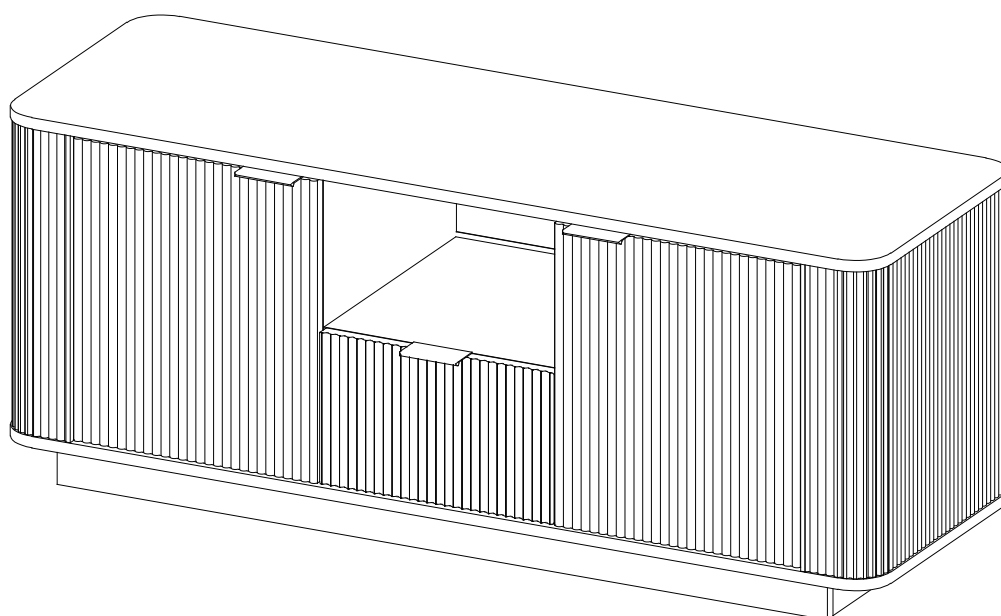


CLAIRE ENTERTAINMENT UNIT

Instruction Manual



The photos and illustrations shown in this instruction manual are generic.
The manufacturer reserves the right to change any specification or feature without prior notice.

IMPORTANT: KEEP FOR FUTURE REFERENCE. READ CAREFULLY.

Assembly Instructions

43635825 CLAIRE ENTERTAINMENT UNIT

WARNING:

DO NOT STAND, SIT OR LEAN ON THIS UNIT.

DO NOT USE THIS UNIT AS A STEP LADDER OR AS A CHOPPING SURFACE.

KEEP AWAY FROM CHILDREN AND BABIES.

ADULT ASSEMBLY REQUIRED.

USE ONLY ON A FLAT SURFACE.

DO NOT USE THIS UNIT UNLESS ALL BOLTS AND SCREWS ARE FIRMLY SECURED.

CARE INSTRUCTIONS:

TO BE ASSEMBLED ON A CLEAN, DRY AND SMOOTH SURFACE.

WIPE CLEAN WITH A SOFT DAMP CLOTH.

NEVER USE SCOURERS, ABRASIVES OR CHEMICAL SOLVENTS.

CHECK AND TIGHTEN ALL PARTS REGULARLY.

KEEP AWAY FROM MOISTURE AND DIRECT SUNLIGHT.

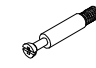




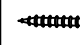


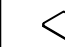

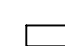



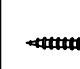
STORE IN A DRY PLACE.

FOR INDOOR AND DOMESTIC USE ONLY.


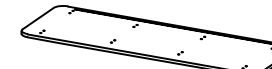


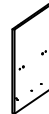
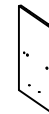

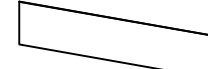
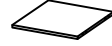



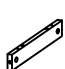




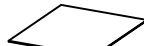
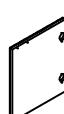

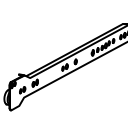
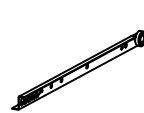
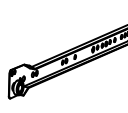
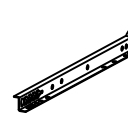
MAXIMUM SAFE LOAD:

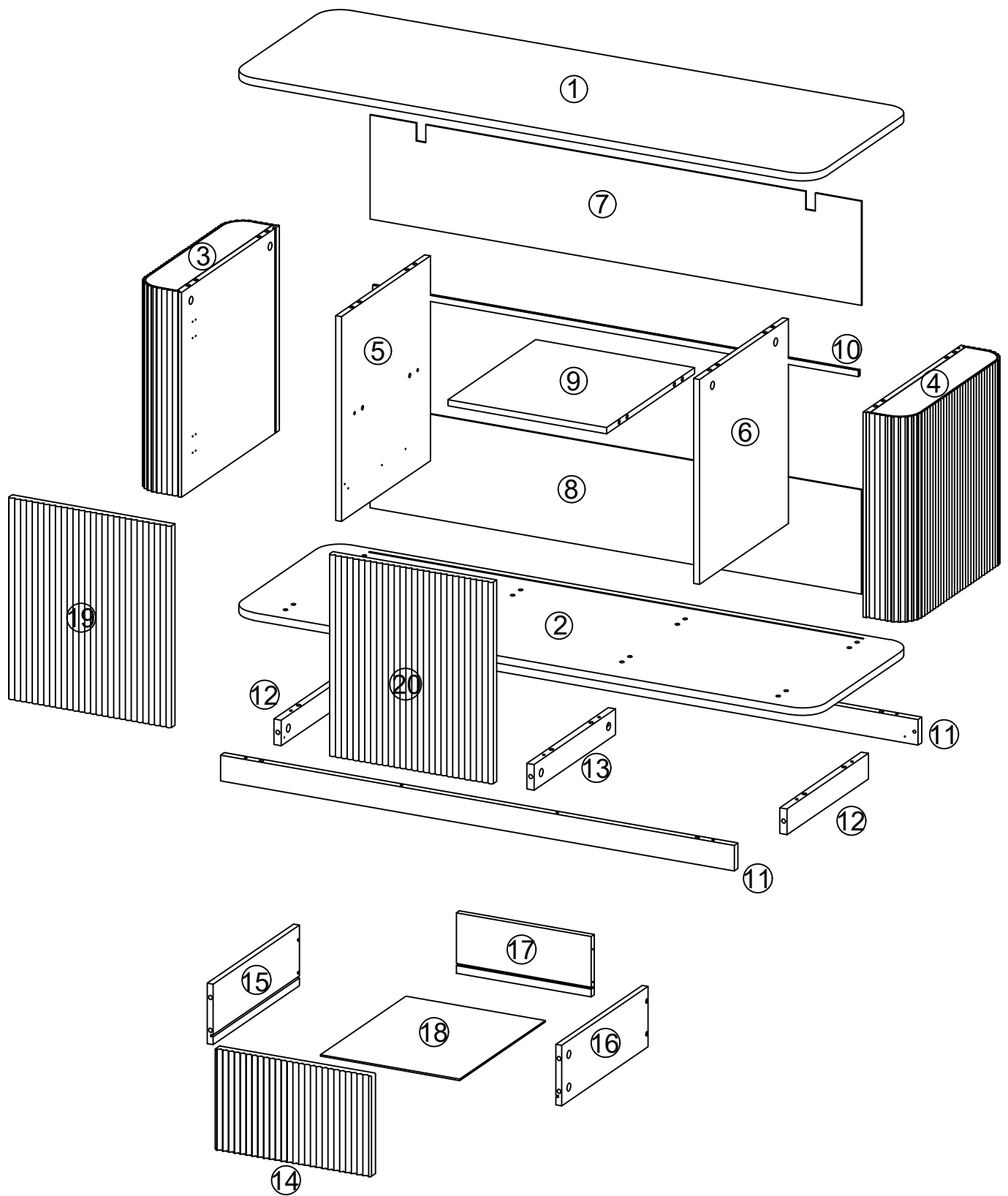
25KG FOR TOP PANEL, 5KG FOR SHELF, 5KG FOR DRAWER.


1 Hardware List

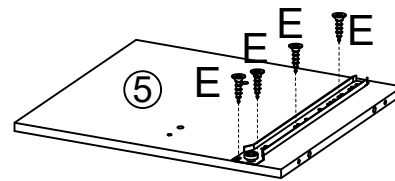
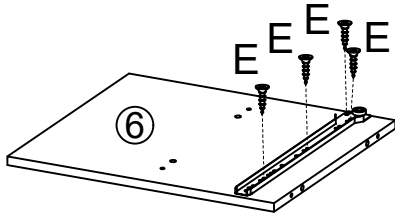
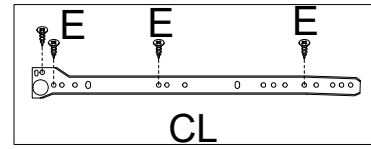
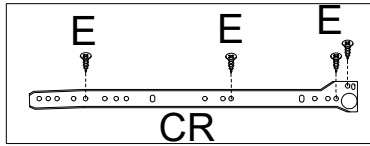
A		6x35mm	22pcs	B		15x10mm	22pcs	C		8x30mm	30pcs
D		7x38mm	8pcs	E		3.5x14mm	62pcs	F		4x48mm	14pcs
G		19*19*1.5mm	4pcs	H		4mm	1pc	I			3pcs
J			8pcs	K		25*15*3mm	6pcs	L			2pcs
M			4pcs	N		6x30mm	2pcs	O		4x35mm	6pcs


2 Parts List

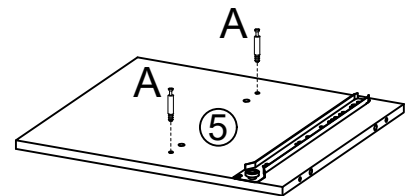
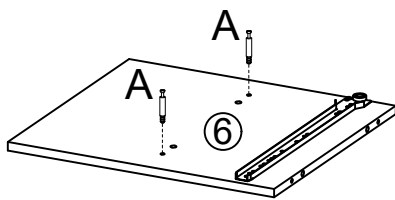
							
①	1pc	②	1pc	③	1pc	④	1pc
							
⑤	1pc	⑥	1pc	⑦	1pc	⑧	1pc
							
⑨	1pc	⑩	1pc	⑪	2pcs	⑫	2pcs
							
⑬	1pc	⑭	1pc	⑮	1pc	⑯	1pc
							
⑰	1pc	⑱	1pc	⑲	1pc	⑳	1pc
							
CR	1pc	DR	1pc	CL	1pc	DL	1pc



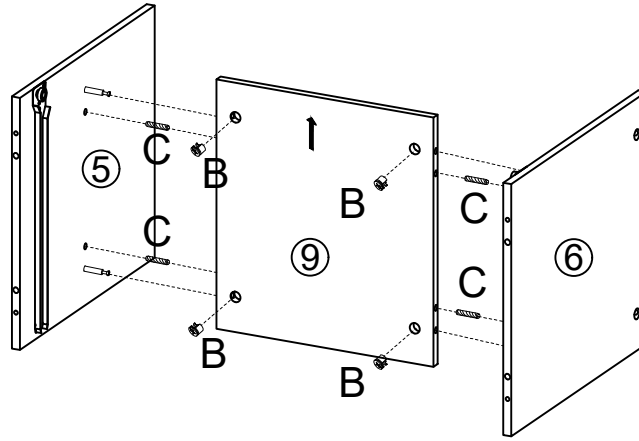
STEP 1  E×8



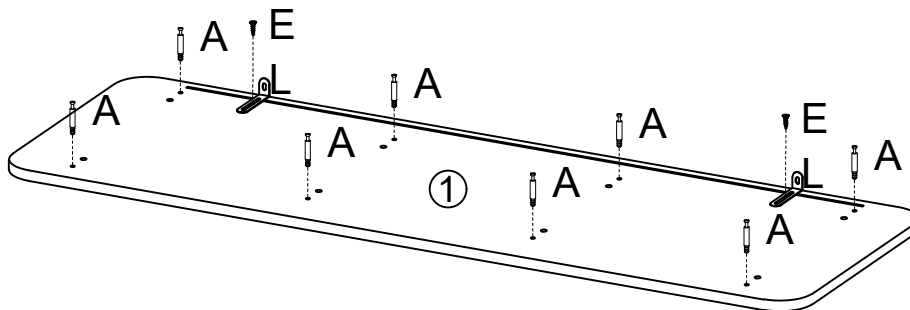
STEP 2  A×4



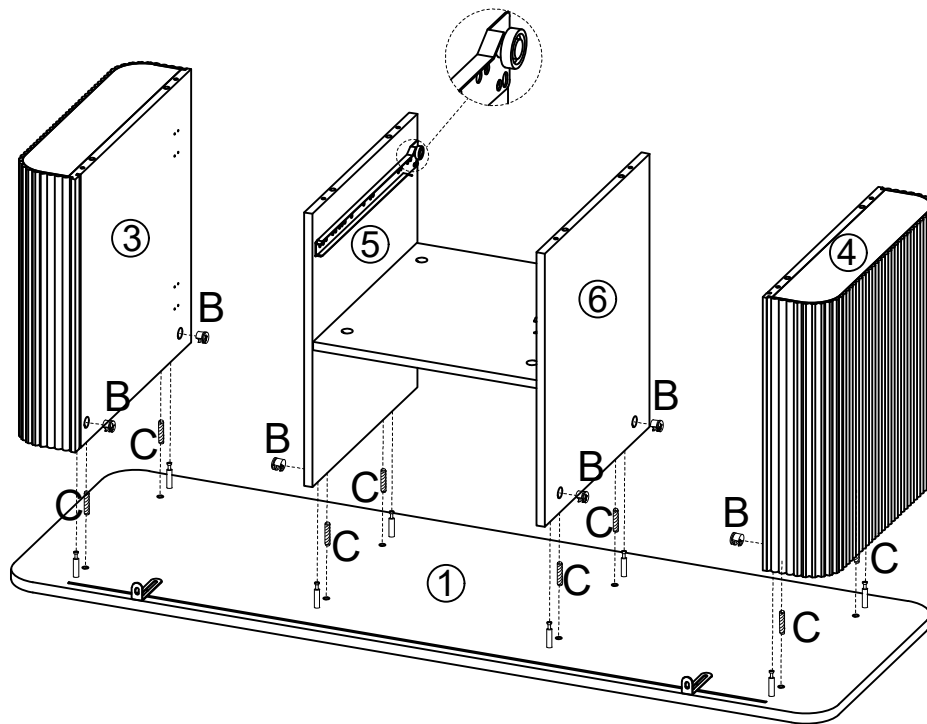
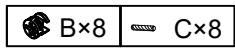
STEP 3



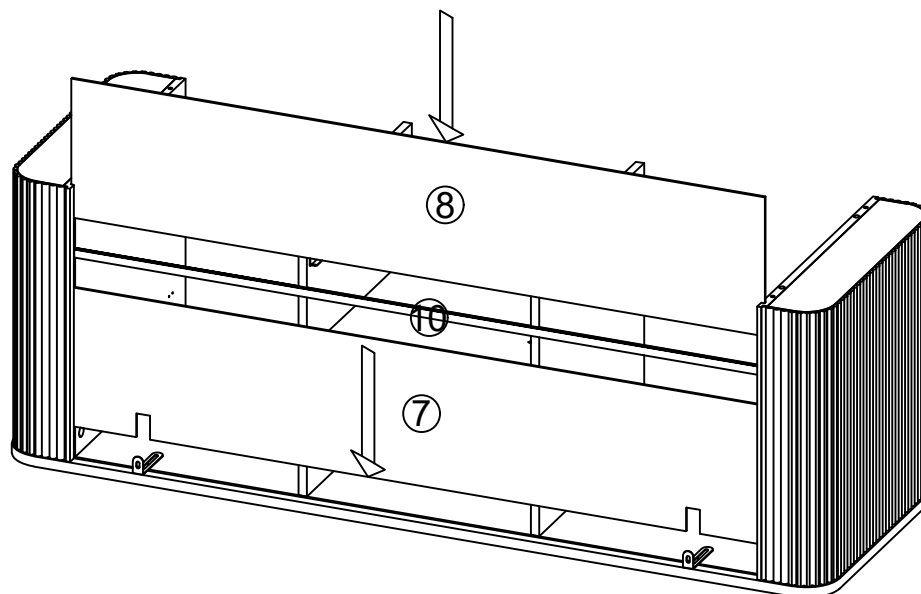
STEP 4





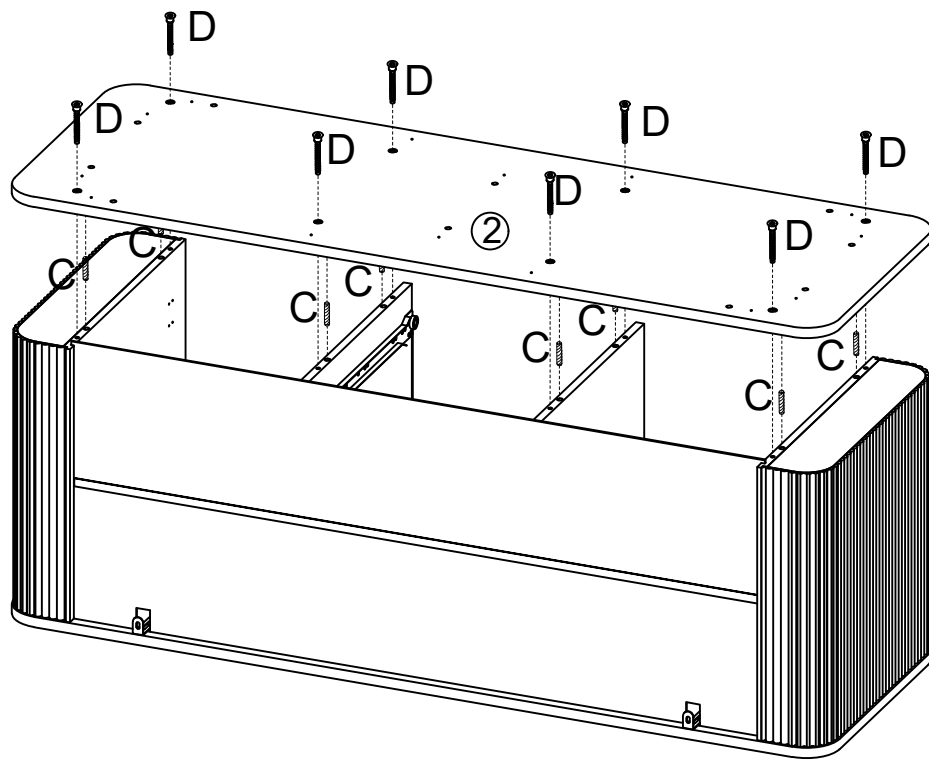
STEP 5





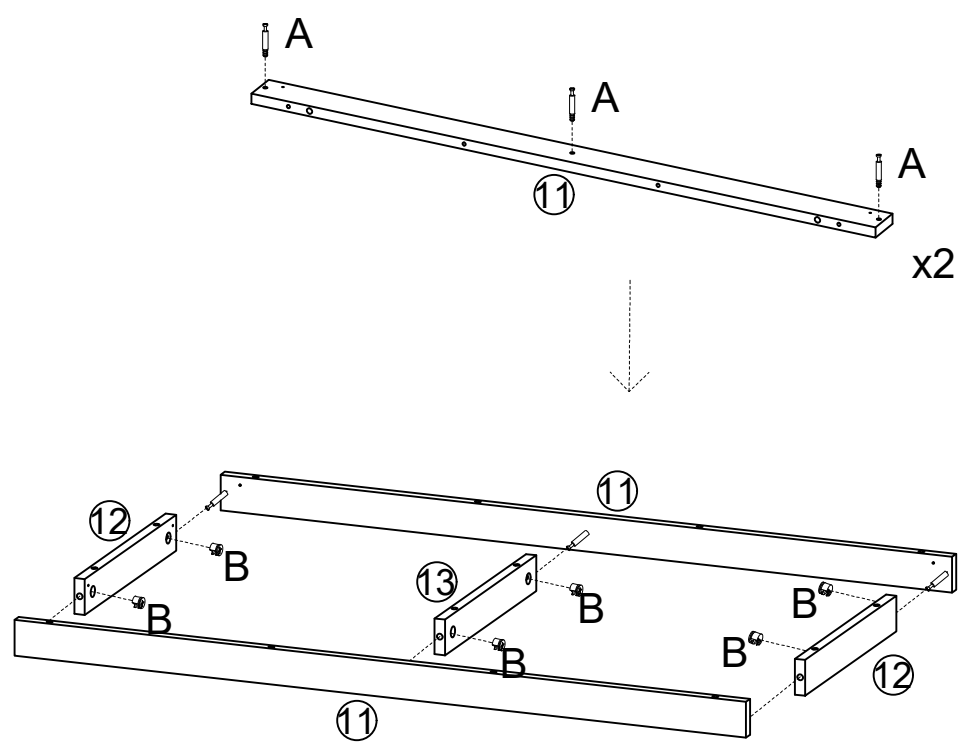
STEP 6



STEP 7  D×8  C×8

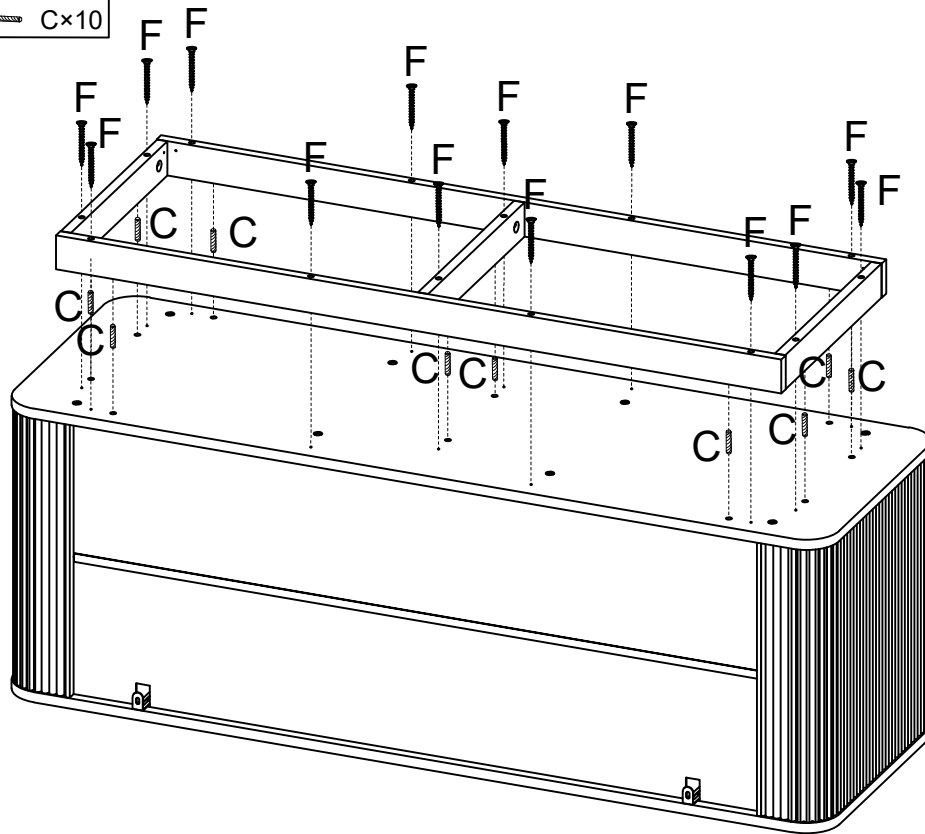


STEP 8  A×6  B×6



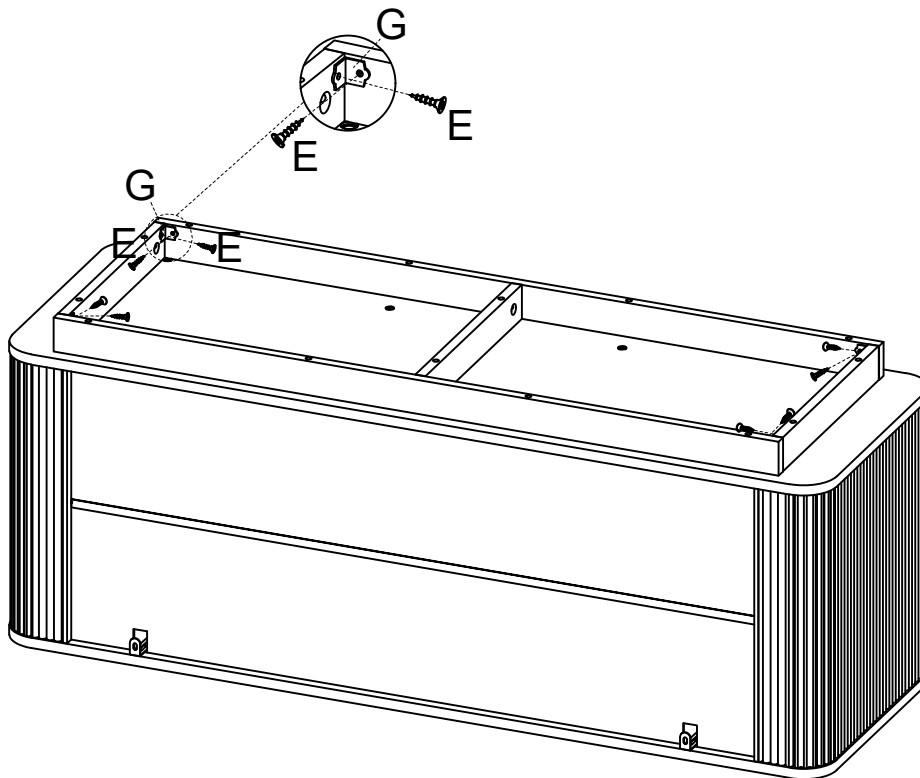
STEP 9

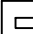
F×14 C×10

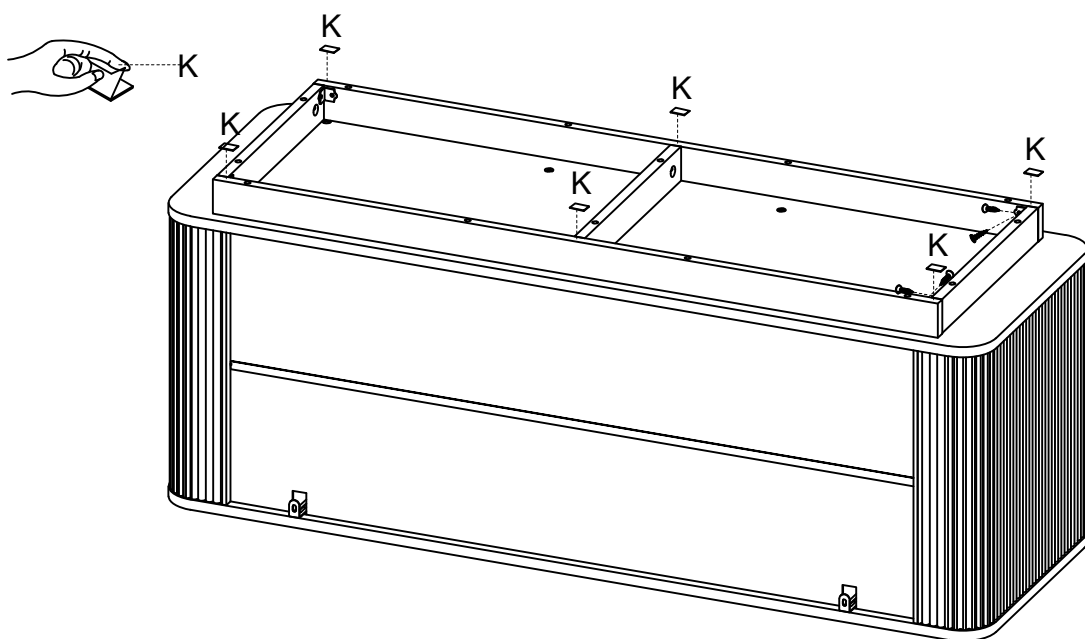




STEP 10

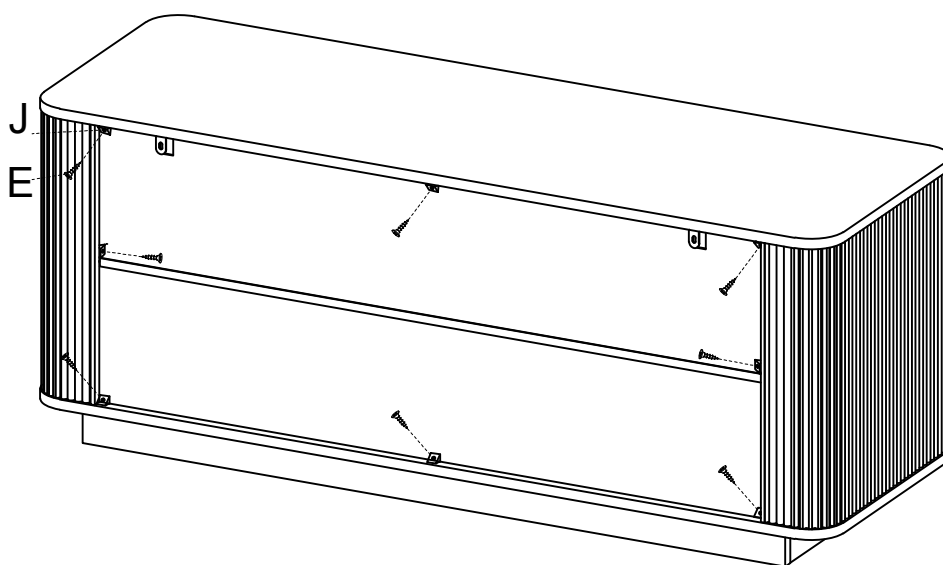
G×4 E×8




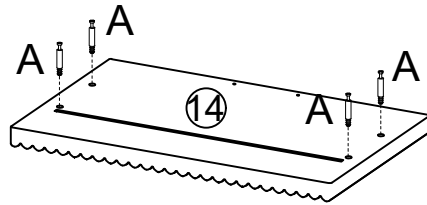
STEP 11  K×6




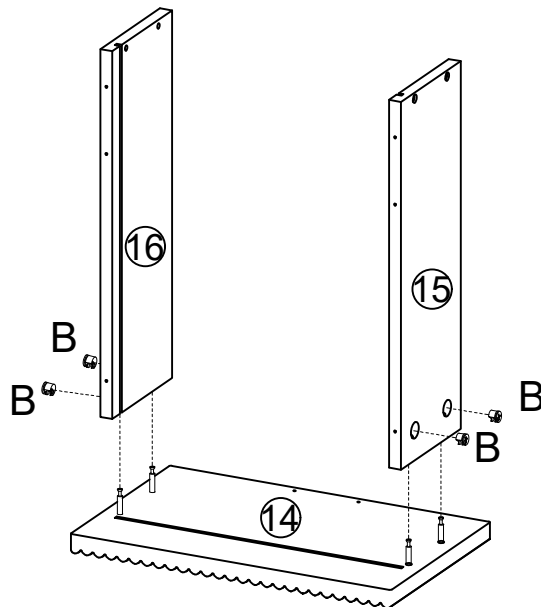
STEP 12  J×8  E×8



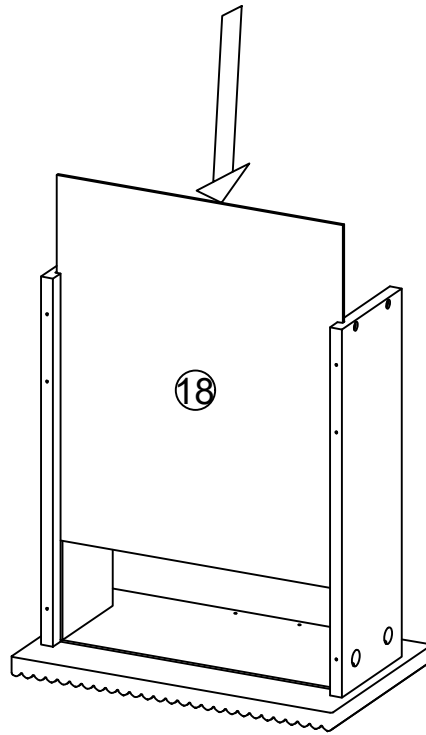
STEP 13  A×4




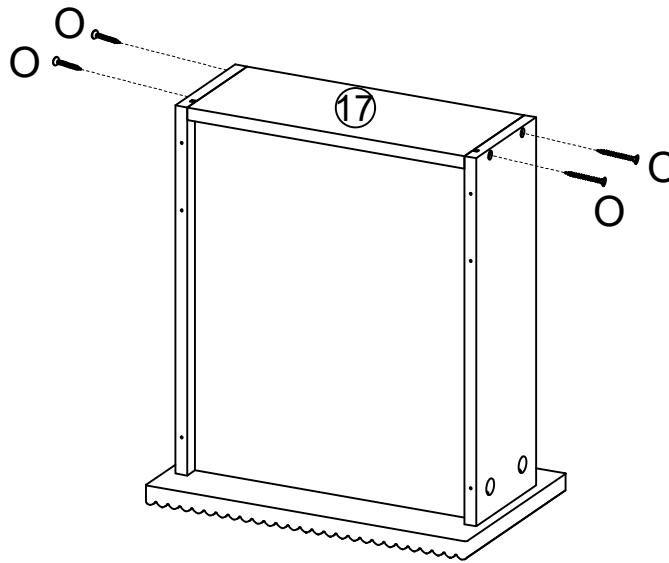
STEP 14  B×4




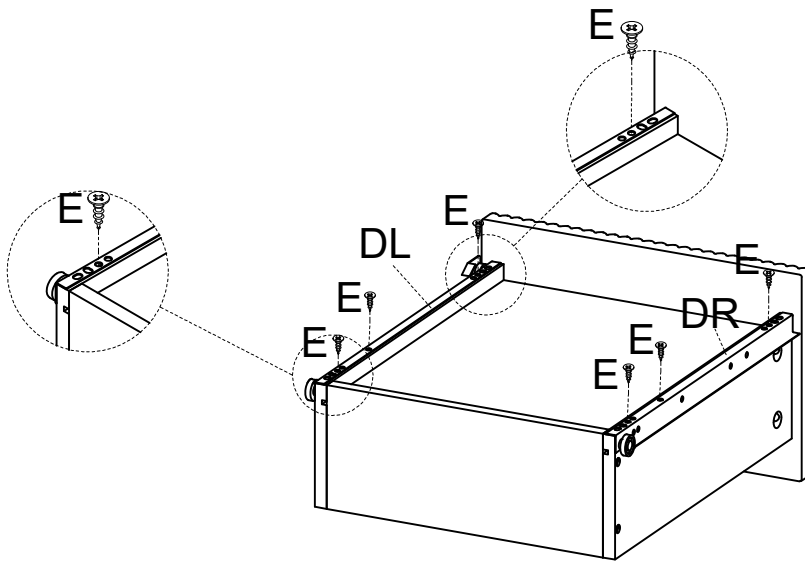
STEP 15




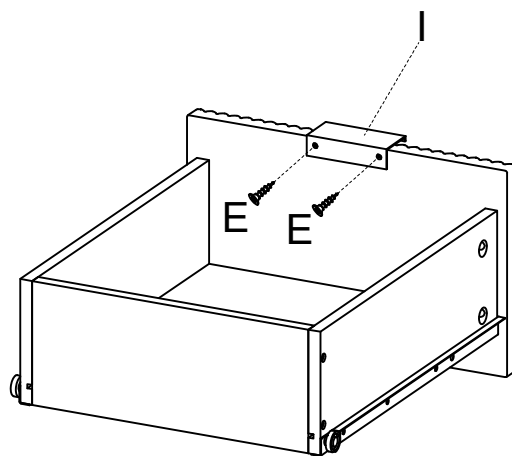
STEP 16  O×4



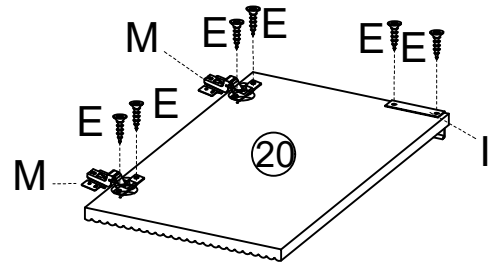
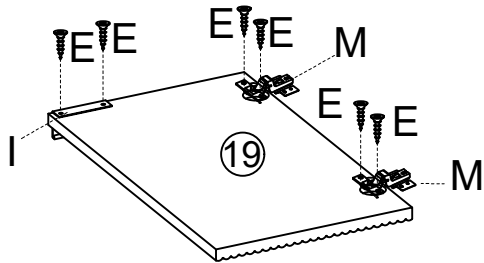
STEP 17  E×6



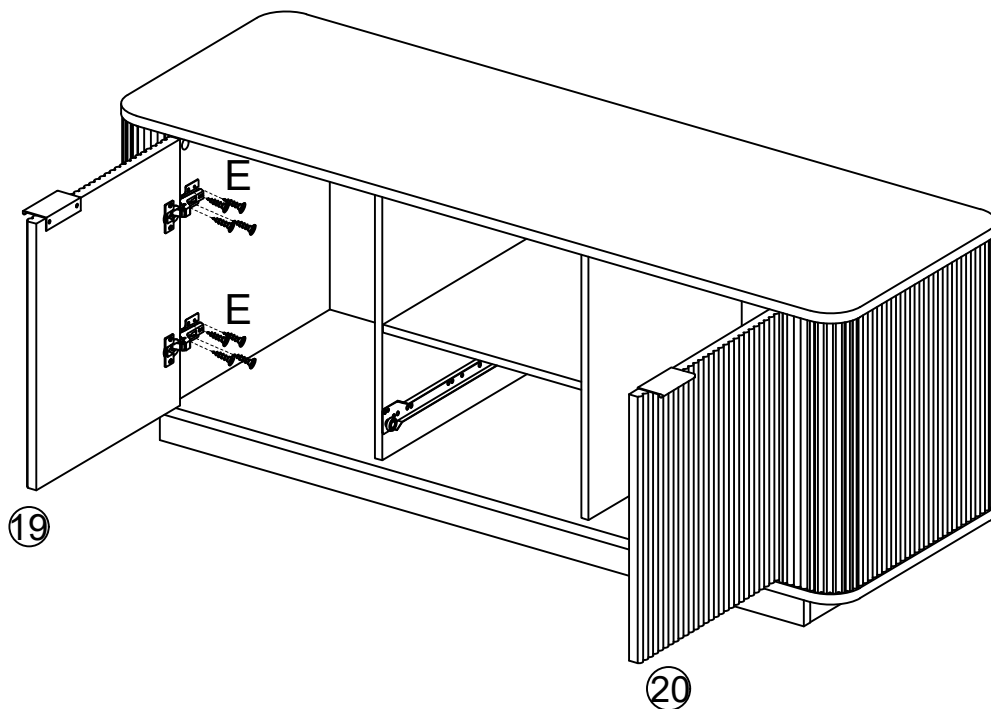
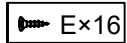
STEP 18  E×2  I×1



STEP 19

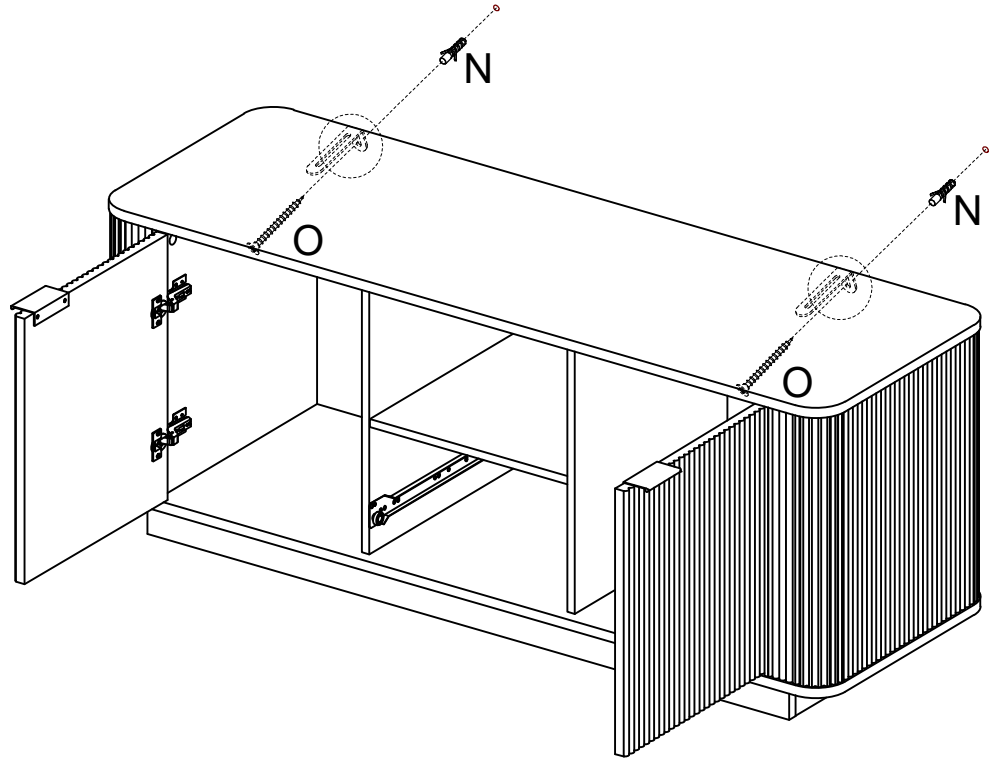
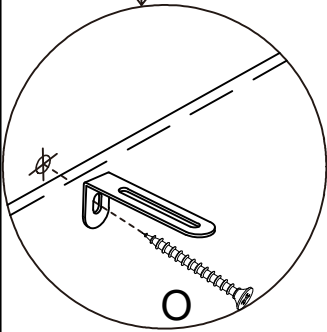
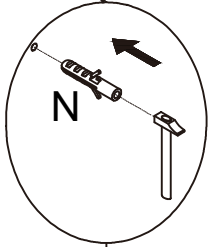
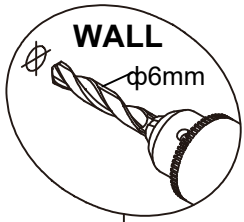


STEP 20

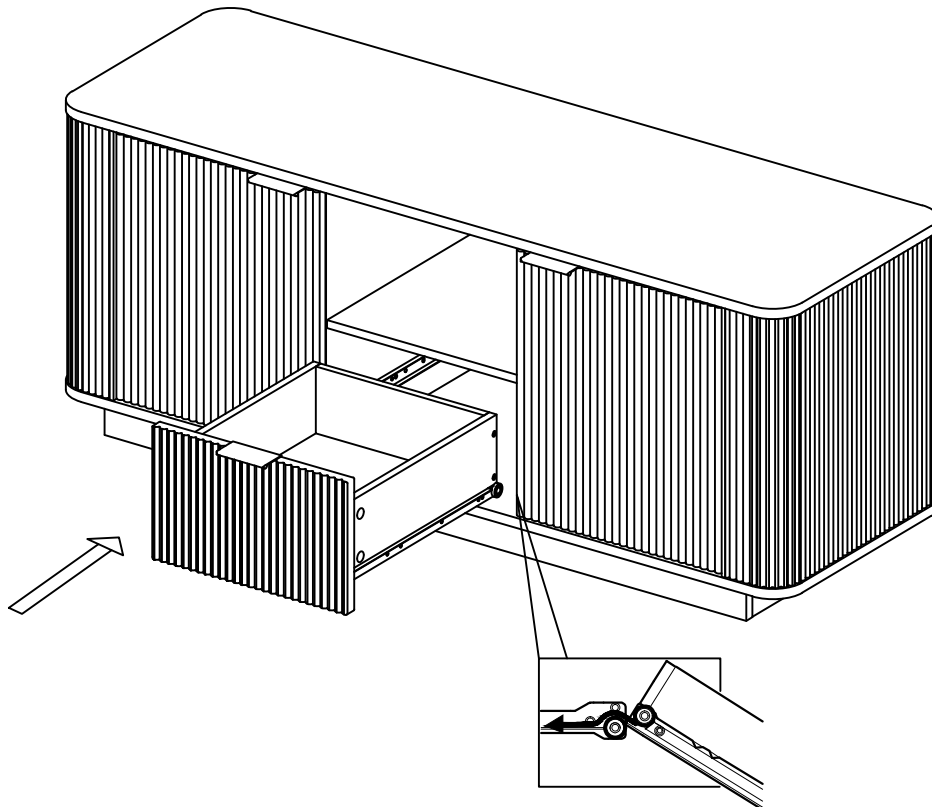


STEP 21

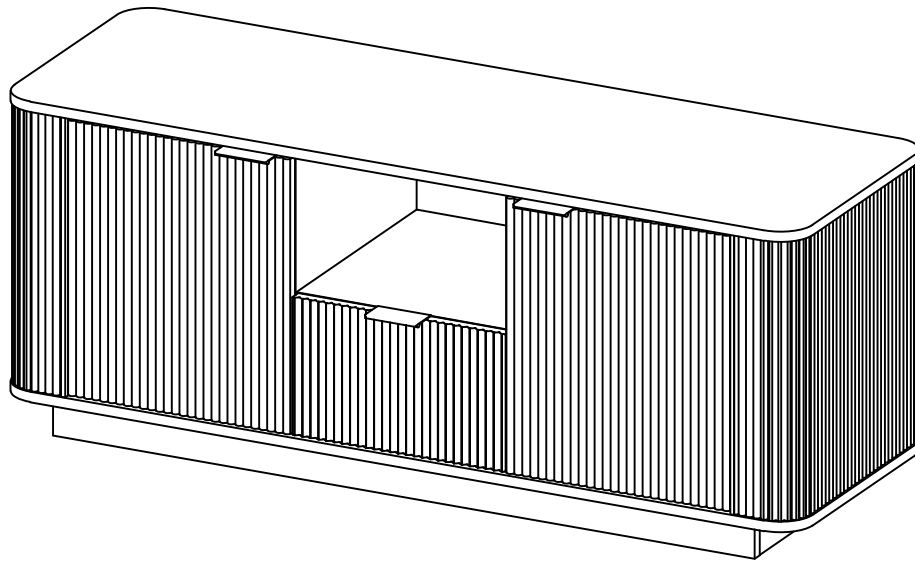
—O×2 —N×2



STEP 22



STEP 23



TOPPLING FURNITURE WARNING:

- **ALWAYS** secure it with an anchor device.
- Please seek professional advice if you are in doubt of what fixing device to use.
- Regularly check that anchors are securely maintained.
- Use safety drawer locks to prevent children climbing.
- Stability of tall items may be affected by thick pile carpet or uneven floors .
- Do not place unanchored televisions on furniture .

CAUTION: for your safety when attaching the anchor fixings, please note the following:

- **Check any electrical wires or plumbing inside the wall before drilling any holes (if you are unsure please seek professional advice from a qualified tradesperson).**

 WARNING	
	
<p>Children have died from furniture tipover.</p> <ul style="list-style-type: none">● NEVER allow children to stand, climb or hang on drawers, doors, or shelves.● ALWAYS secure your television with an anchor device or mount the television on a wall.	
<p>This is a permanent label. Do not remove!</p>	



WARNING: PLEASE SECURE YOUR FURNITURE WITH THE SUPPLIED WALL FIXING. SCAN THE CODE FOR MORE INFORMATION.

