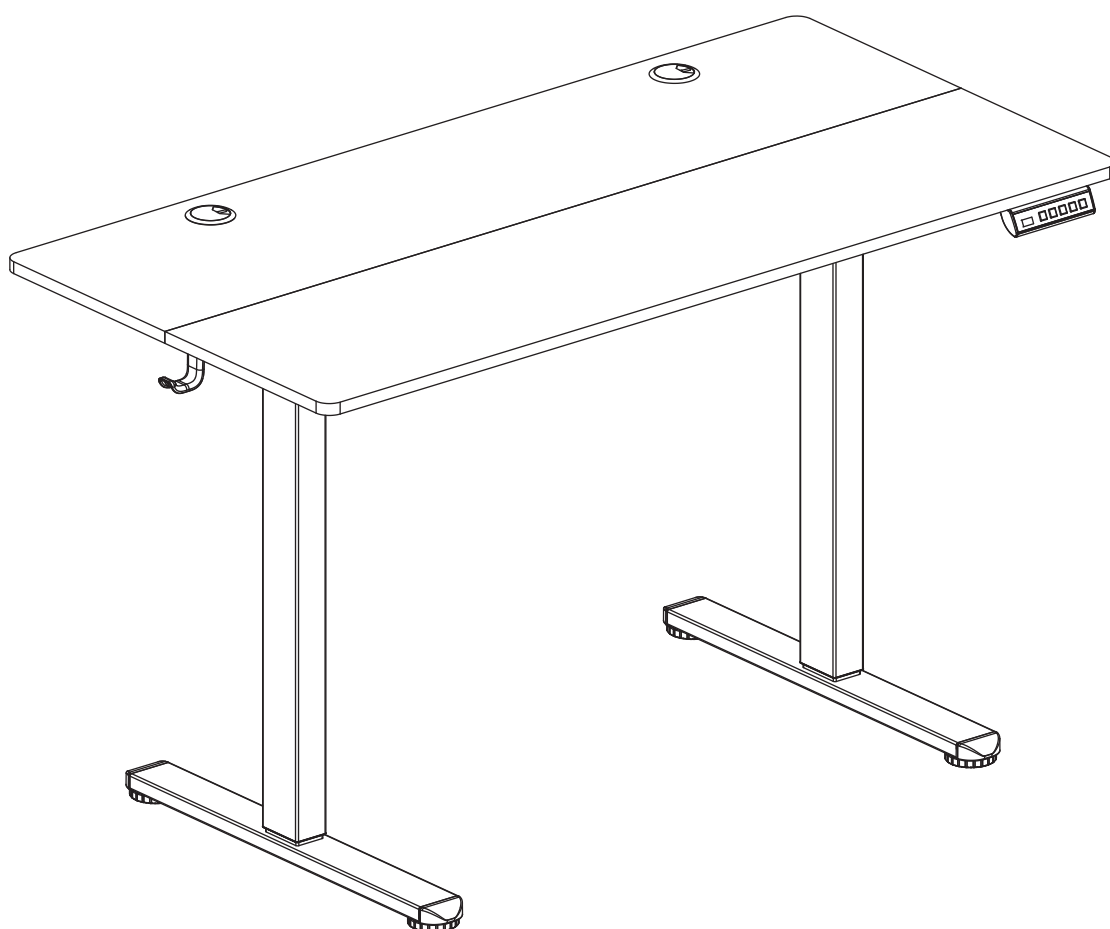


ELECTRIC STAND DESK

Instruction Manual



The photos and illustrations shown in this instruction manual are generic.

The manufacturer reserves the right to change any specification or feature without prior notice.

IMPORTANT: PLEASE READ BEFORE USE, AND RETAIN THIS MANUAL FOR FUTURE USE.

Assembly Instructions











K:43-635-023 | ELECTRIC STAND DESK OO

CARE INSTRUCTIONS: WIPE CLEAN WITH A SOFT DAMP CLOTH. NEVER USE SCOURERS, ABRASIVES OR CHEMICAL SOLVENTS. KEEP AWAY FROM MOISTURE AND DIRECT SUNLIGHT. STORE IN A DRY PLACE. FOR INDOOR USE ONLY.

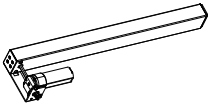
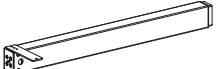
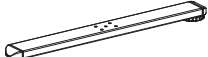

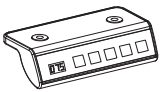
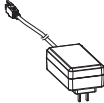
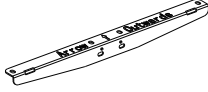

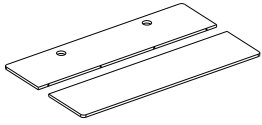
WARNING: DO NOT STAND, SIT OR LEAN ON THE UNIT. DO NOT USE THIS UNIT AS A STEP LADDER. ENSURE THIS UNIT IS USED ONLY ON A FLAT SURFACE. DO NOT USE THIS UNIT UNLESS ALL BOLTS AND SCREWS ARE FIRMLY SECURED. DO NOT PLACE HOT OBJECTS SUCH AS COFFEE CUPS DIRECTLY ON THE SURFACE OF THIS FURNITURE ITEM. THIS ITEM IS FOR STORAGE PURPOSES ONLY. CONTAINS SMALL PARTS. IT IS TO BE ASSEMBLED BY AN ADULT. FAILURE TO FOLLOW THESE WARNINGS COULD RESULT IN SERIOUS INJURY.

MAXIMUM SAFE LOAD:80KG.

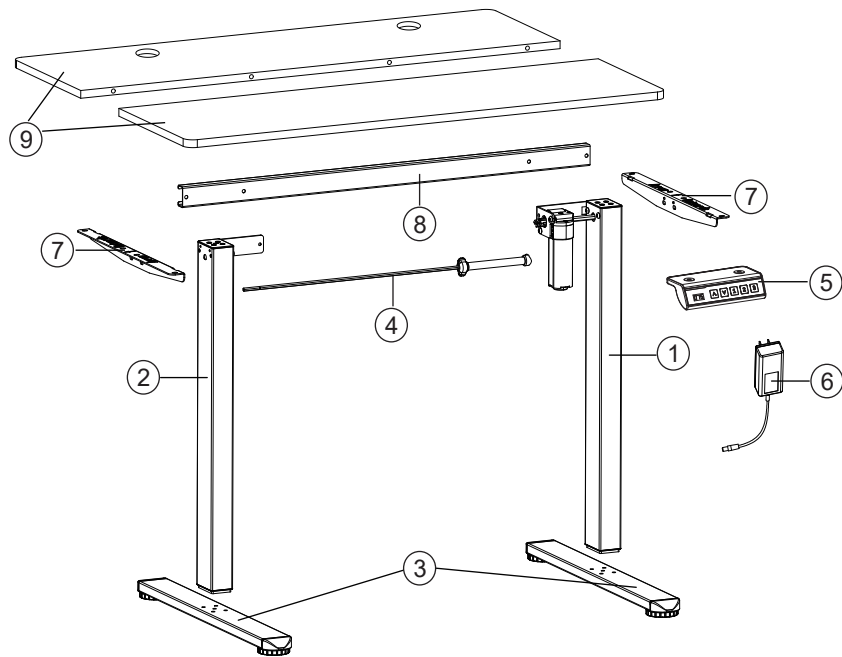
Hardware List

	A	6x8mm	9pcs		B	5x15mm	18pcs		C	6x35mm	9pcs
	D		2pcs		E		6pcs		F	S=2mm	1pc
	G	S=5mm	1pc		H		1pc		I		2pcs
	J		2pcs								

Parts List

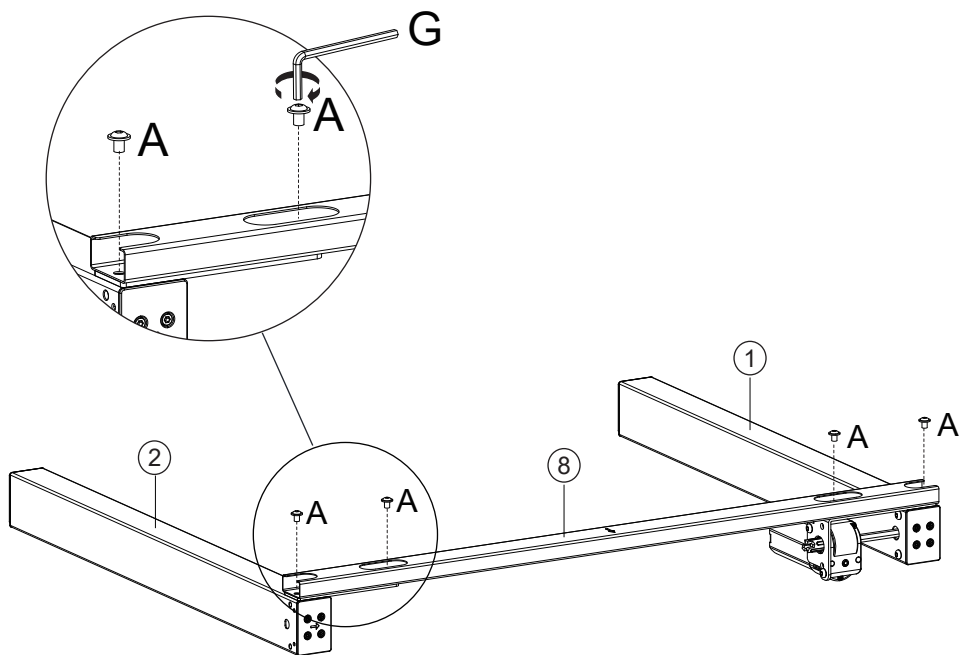
							
①	1pc	②	1pc	③	2pcs	④	1pc
							
⑤	1pc	⑥	1pc	⑦	2pcs	⑧	1pc
							
⑨	1pc						


PANEL LAYOUT

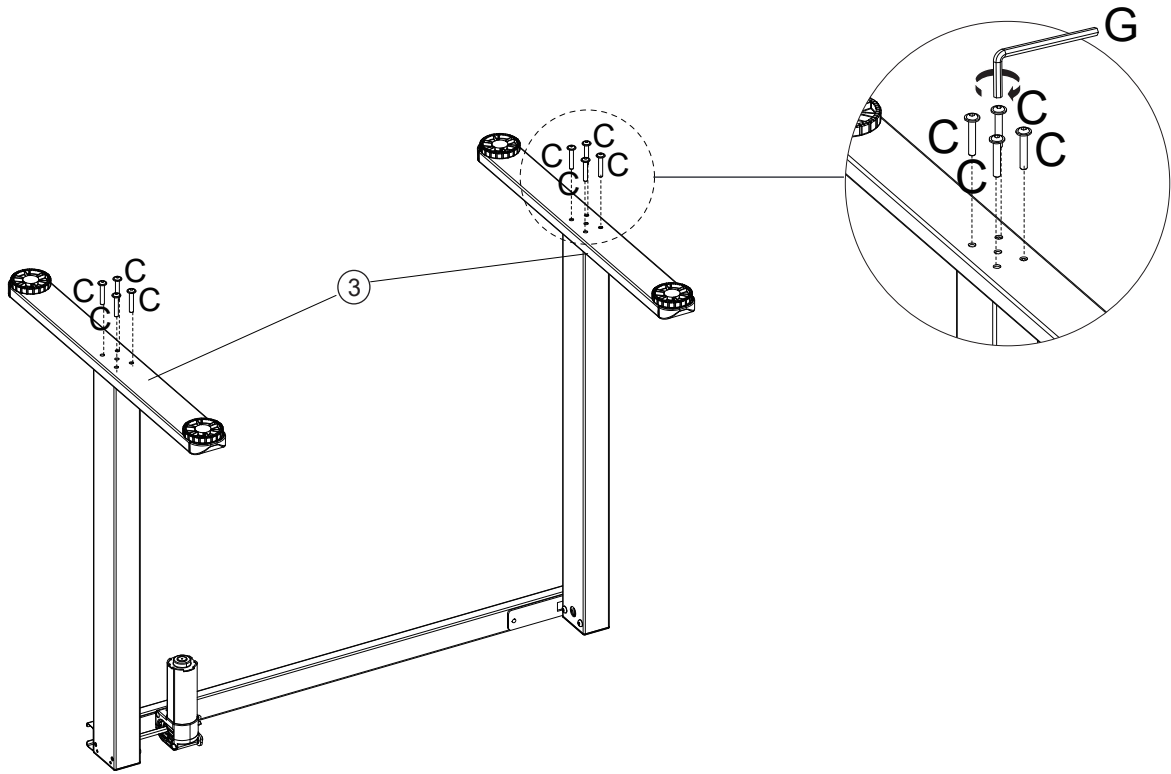


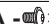
ATTENTION: DO NOT TIGHTEN THE SCREWS FULLY DURING ASSEMBLY. FULLY TIGHTEN SCREWS AFTER THE FINAL ASSEMBLY STEP.

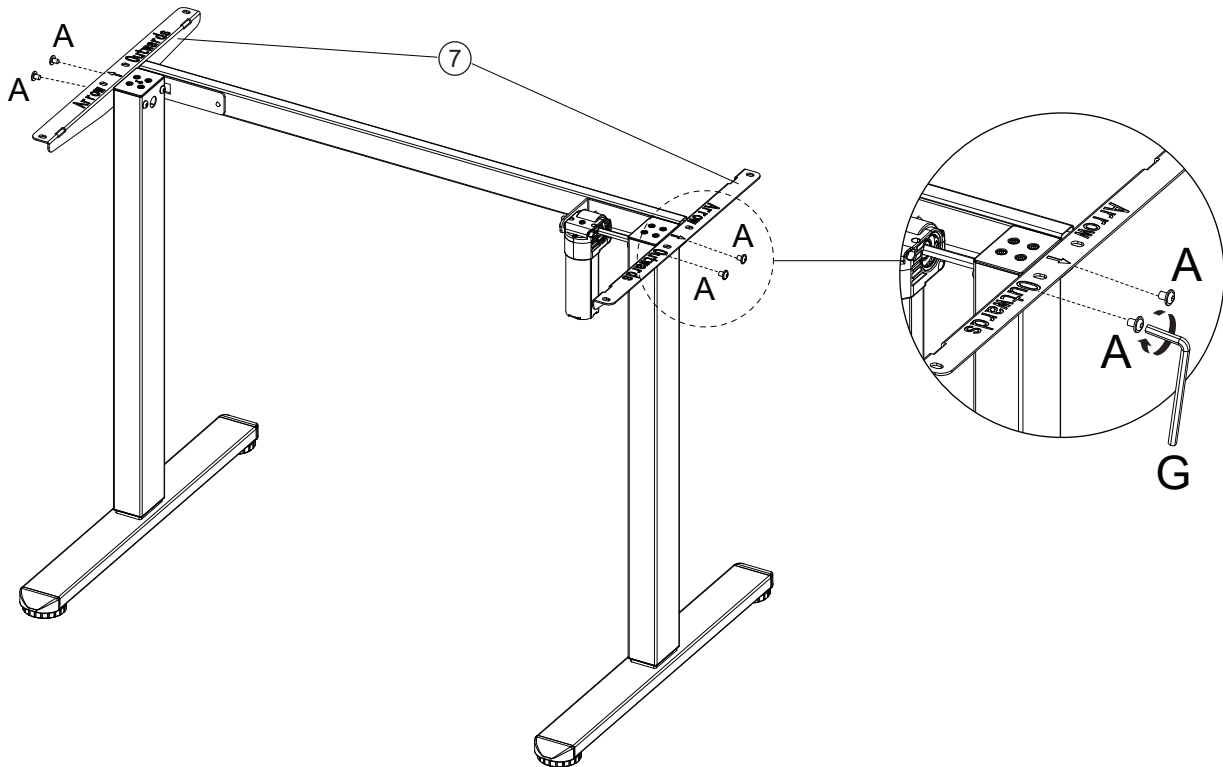
STEP 1 x 4



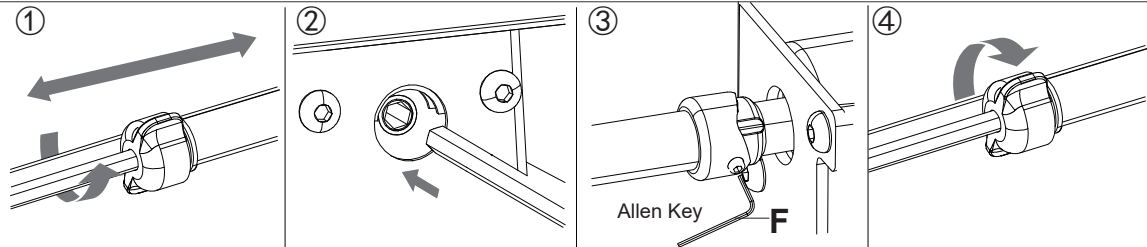
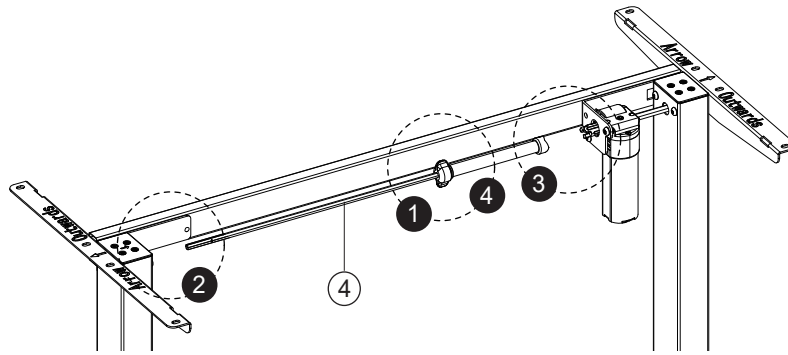
STEP 2 C -  x 8



STEP 3 A -  x 4



STEP 4



Loosen the knob

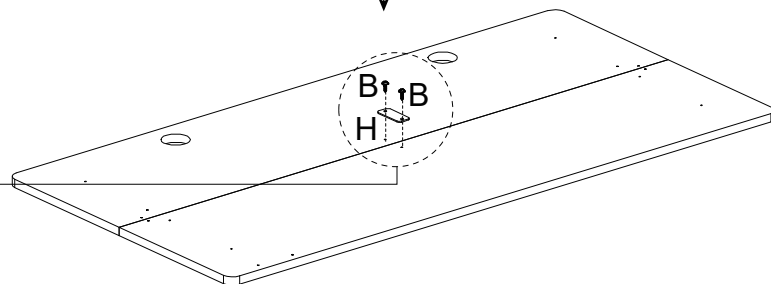
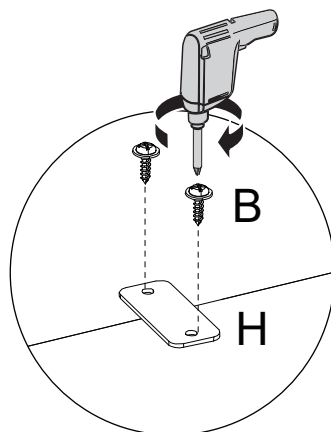
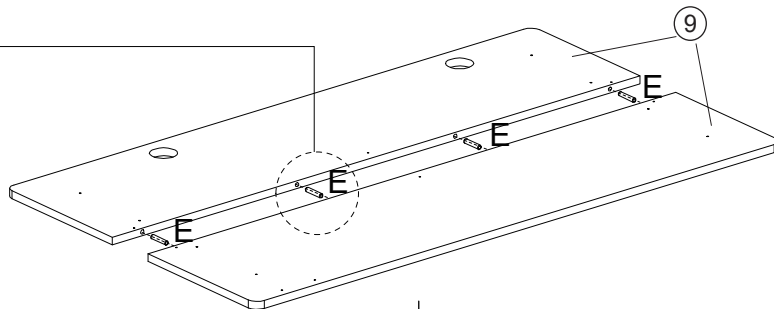
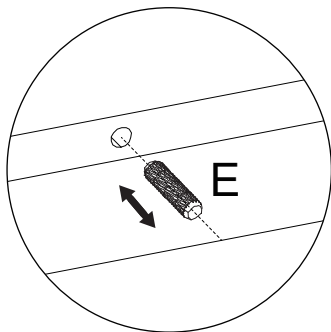
Insert the transmission rod into the hex hole and turn the transmission rod clockwise until the left leg goes to the lowest position.

Insert the other end of transmission rod to the slot on the leg (You may rotate the rod slightly for better installation).
Secure the transmission rod to the slot by tightening the pre-assembled set screw using the small Allen key.

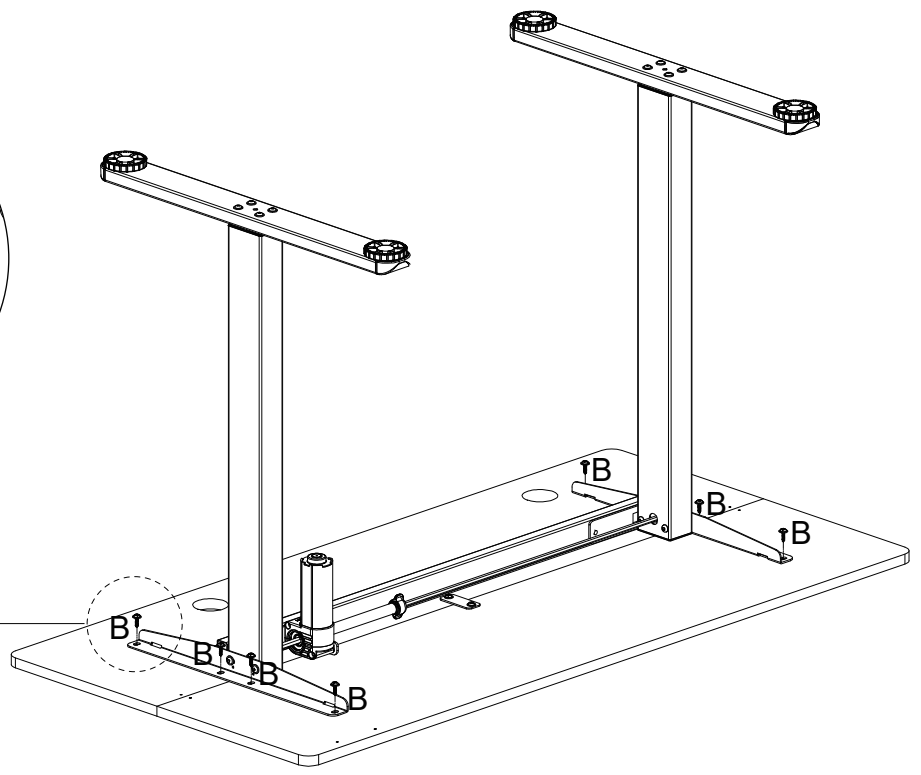
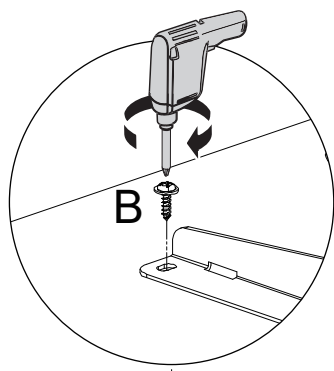
Tighten the knob

STEP 5

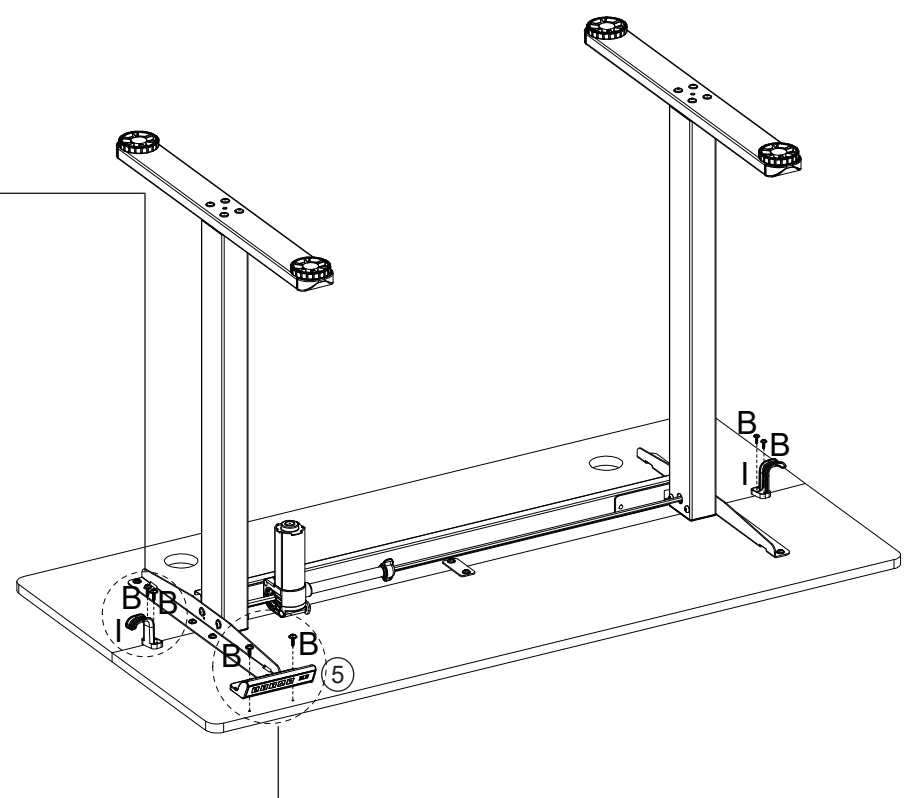
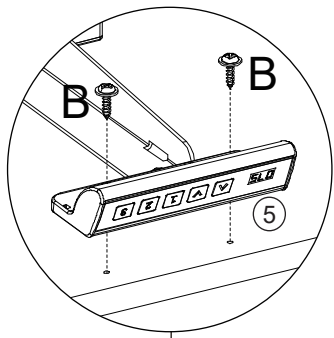
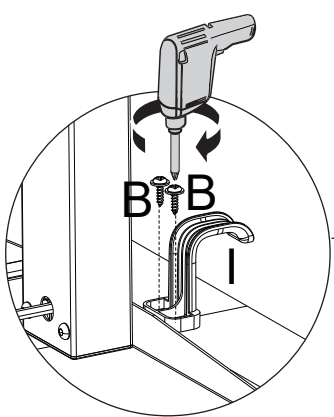
B - \rightarrow \times 2 H - \square \times 1 E - \bullet \times 4



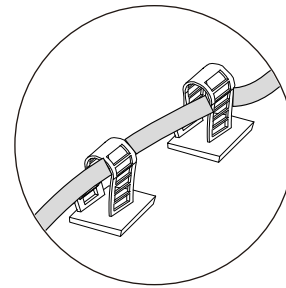
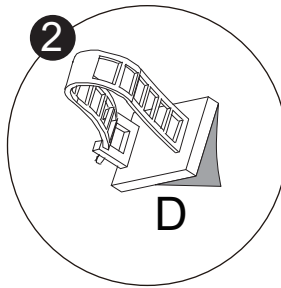
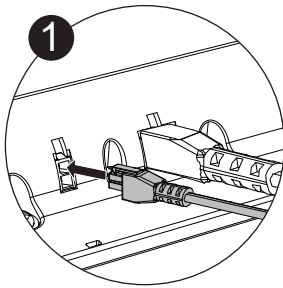
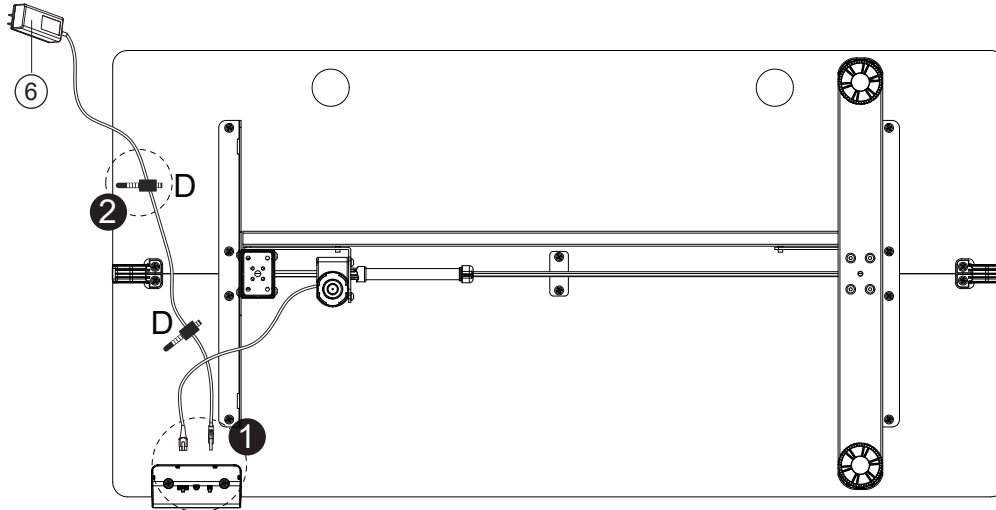
STEP 6 B - \rightarrow \times 8



STEP 7 B - \rightarrow \times 6 I - \hookrightarrow \times 2

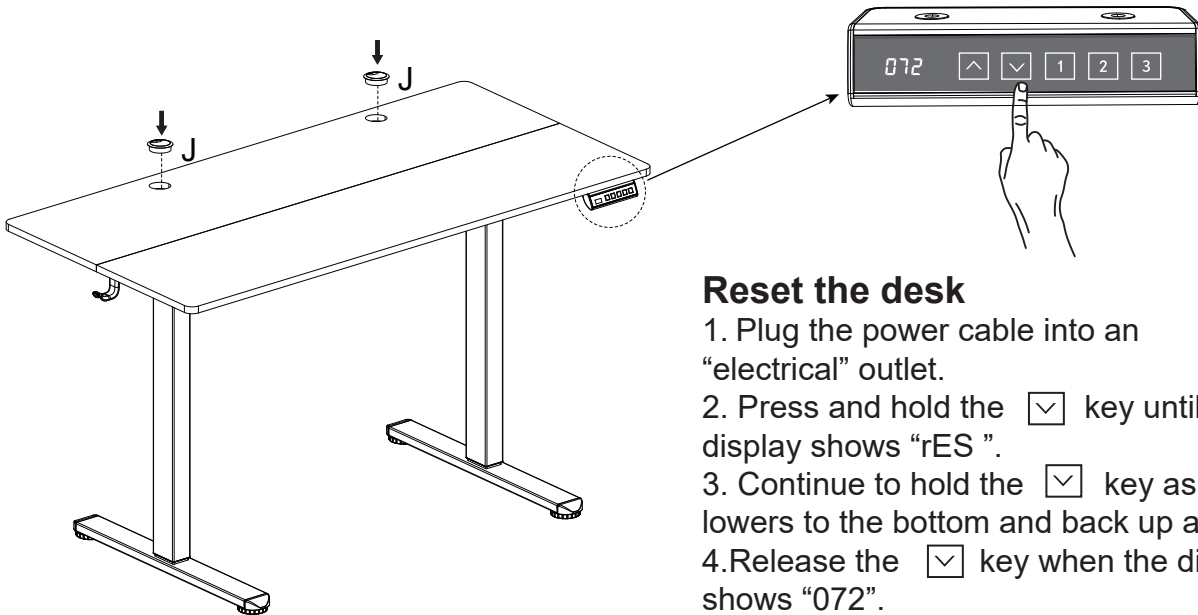


STEP 8 **D -  x2**



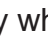


Cable Management

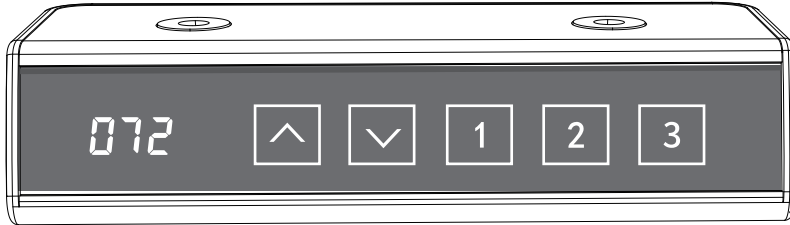
STEP 9 **J -  x2**



Reset the desk

1. Plug the power cable into an “electrical” outlet.
2. Press and hold the  key until the display shows “rES”.
3. Continue to hold the  key as the leg lowers to the bottom and back up a little.
4. Release the  key when the display shows “072”.

Controller Introduction



072 LED Display: Press any key once to wake up the display.

1 **2** **3** Height Pre-set: **1** , **2** , **3** are the three height memory keys. **1** is pre-set for the lowest and **3** for the highest. To set any expected height, press and hold the **1** , **2** or **3** key until the letter "H1", "H2" or "H3" display to record current height. Each key represents a different height. Once height pre-set, you can only press the corresponding key to do adjustment automatically.

^ Press the button to raise the desk. Releasing the button stops the process. The maximum height of the desk is 118 cm.

v Press the button to lower the desk. Releasing the button stops the process. The minimum height of the desk is 72 cm.

Reset Press and hold the **v** button until "rES" appears on the screen, then release it. The screen will return to 072. The desk will automatically descend to the lowest level and rebound slightly.

Protection Mode Error Codes

Hot	Overheat protection: When the motor operates continuously, it will stop running to prevent damage caused by overheating. Wait for a period of time (proposal 15-18 minutes) before making any further height adjustments.
E10	Sensor malfunction warning: Motor safety sensor cannot be detected. Please power off, unplug the cables of the controller, then plug in the cables and connect the power again, and perform rES settings again.
E20	Overloading Warning: Over the max of loading weight. Power off, take the things off the desk, power back on, and try again.
E02	Operation Status Warning: The desk stops moving if vibration, impact, or incline is detected. If this detection is incorrect, follow the reset instructions before continuing use.
E32	Overvoltage Protection: Input voltage too high. If the correct AC adapter is being used, please power off, unplug the cables of the controller, then plug in the cables and connect the power again, and perform rES settings again.
E31	Undervoltage Protection: Input voltage too low. If the correct AC adapter is being used, please power off, unplug the cables of the controller, then plug in the cables and connect the power again, and perform rES settings again.

User Manual

AC Adaptor

Model: K65M290180A

Input: 100-240V~ 50/60Hz 1.5A

Output: 29VDC 1.8A

Safety Hints

1. The adaptor is suitable for use together with Class II equipment for household appliance only.
2. The adaptor is suitable for moderate climates only.
3. The maximum ambient temperature during use of the adaptor must not exceed 35 °C
4. The adaptor is intended to be operated under altitude up to 2000m.
5. The ventilation must not be impaired by covering the adaptor with items such as newspapers, table cloths, curtains etc.
6. Naked flame sources, such as candles, must not be placed on the adaptor.
7. The adaptor and the power cord plug must all times be easily accessible during use. In case power cord or the plug on the adaptor is broken it must be disposed.
8. The adaptor does not require much attention. When cleaning use only dry cloths or a brush.
9. The internal protective device cannot be replaced after a short-circuit or overload.

Symbols used:



Indoor use only



Protection class II appliance



Short-circuit-proof safety isolating transformer
(inherently or non-inherently)



SMPS (Switch mode power supply unit)



The adaptor complies with Energy Efficiency marking level "VI"

⊕ ⊖: Positive -: Negative

Dongguan Guanjin Electronics Technology Co., Ltd

Block 16 Qiantou New Industrial Park, Niushan, Dongcheng District, 523128 Dongguan City, Guangdong Province, P.R. China

