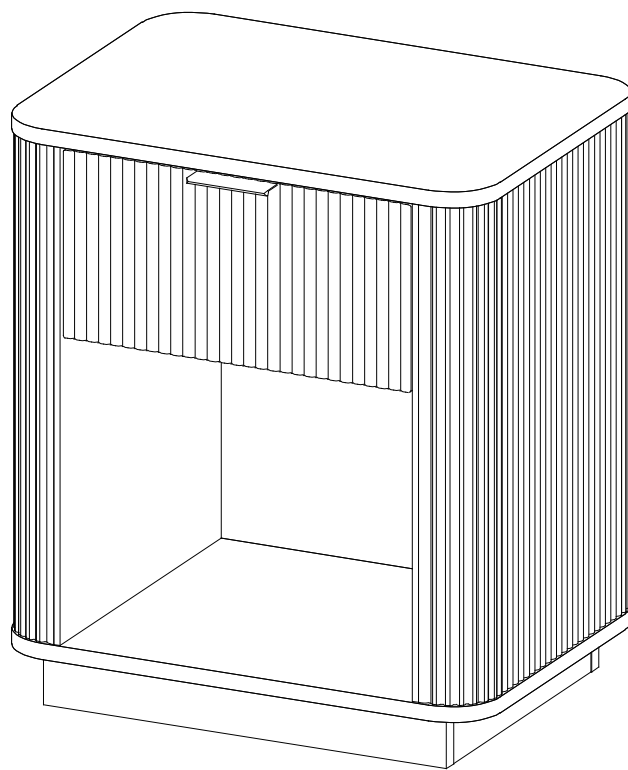


# CLAIRE BEDSIDE TABLE

## Instruction Manual



The photos and illustrations shown in this instruction manual are generic.  
The manufacturer reserves the right to change any specification or feature without prior notice.

**IMPORTANT: KEEP FOR FUTURE REFERENCE. READ CAREFULLY.**

# Assembly Instructions

## 43633739 CLAIRE BEDSIDE TABLE

### **WARNING:**

DO NOT STAND, SIT OR LEAN ON THIS UNIT.

DO NOT USE THIS UNIT AS A STEP LADDER OR AS A CHOPPING SURFACE.

KEEP AWAY FROM CHILDREN AND BABIES.

ADULT ASSEMBLY REQUIRED.

USE ONLY ON A FLAT SURFACE.

DO NOT USE THIS UNIT UNLESS ALL BOLTS AND SCREWS ARE FIRMLY SECURED.

### **CARE INSTRUCTIONS:**

TO BE ASSEMBLED ON A CLEAN, DRY AND SMOOTH SURFACE.

WIPE CLEAN WITH A SOFT DAMP CLOTH.

NEVER USE SCOURERS, ABRASIVES OR CHEMICAL SOLVENTS.

CHECK AND TIGHTEN ALL PARTS REGULARLY.

KEEP AWAY FROM MOISTURE AND DIRECT SUNLIGHT.

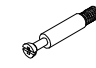




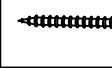




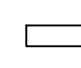

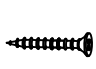

STORE IN A DRY PLACE.

FOR INDOOR AND DOMESTIC USE ONLY.










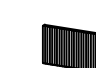








### **MAXIMUM SAFE LOAD:**

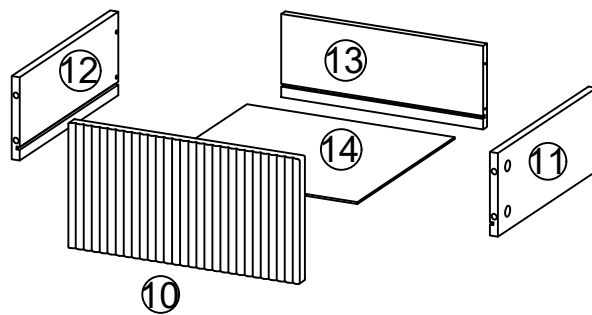
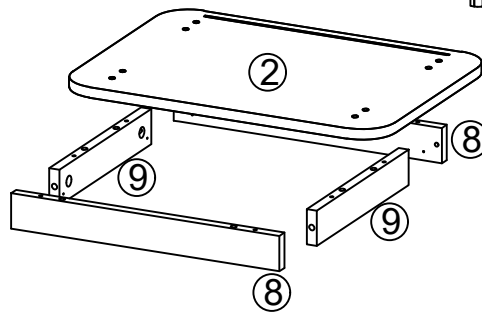
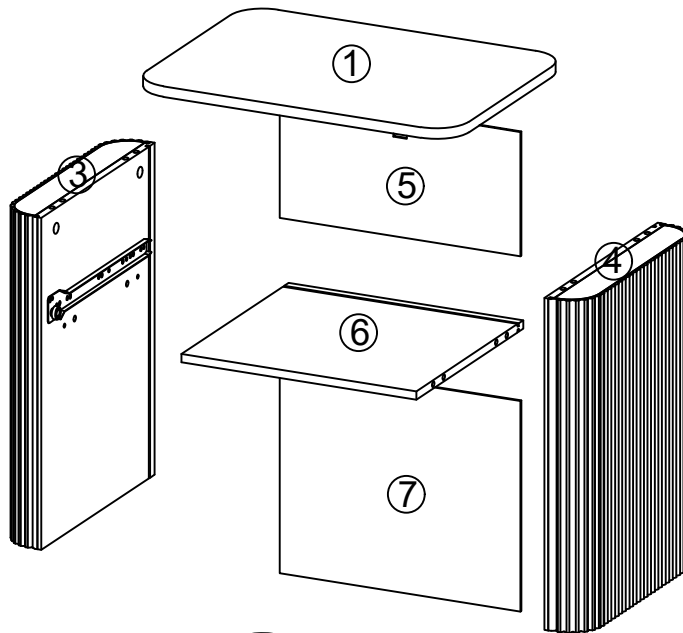
**10KG FOR TOP PANEL, 5KG FOR EACH SHELF,5KG FOR DRAWER.**


# 1 Hardware List

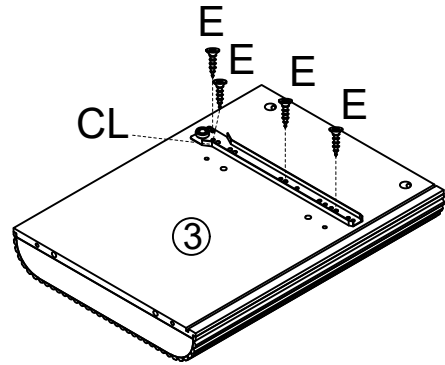
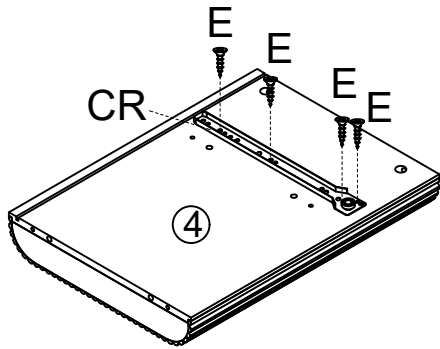
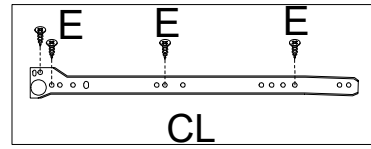
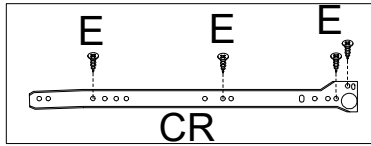
A		6x35mm	16pcs	B		15x10mm	16pcs	C		8x30mm	20pcs
D		7x38mm	4pcs	E		3.5x14mm	33pcs	F		4x48mm	8pcs
G		19*19*1.5mm	4pcs	H		4mm	1pc	I			1pc
J			8pcs	K		25*15*3mm	4pcs	L			1pc
M		4x35mm	5pcs	N		6x30mm	1pc				


# 2 Parts List

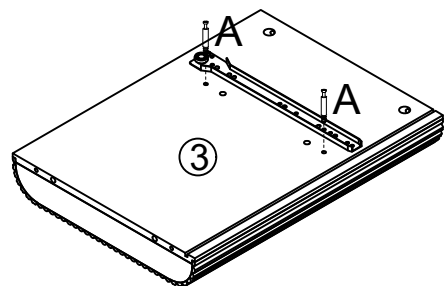
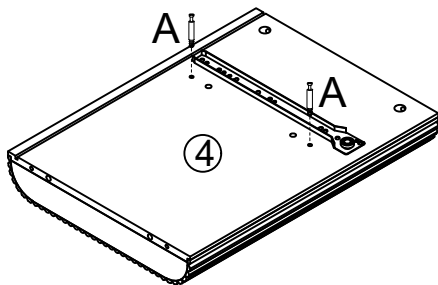
							
①	1pc	②	1pc	③	1pc	④	1pc
							
⑤	1pc	⑥	1pc	⑦	1pc	⑧	2pcs
							
⑨	2pcs	⑩	1pc	⑪	1pc	⑫	1pc
							
⑬	1pc	⑭	1pc	CR	1pc	DR	1pc
							
CL	1pc	DL	1pc				



STEP 1  E×8

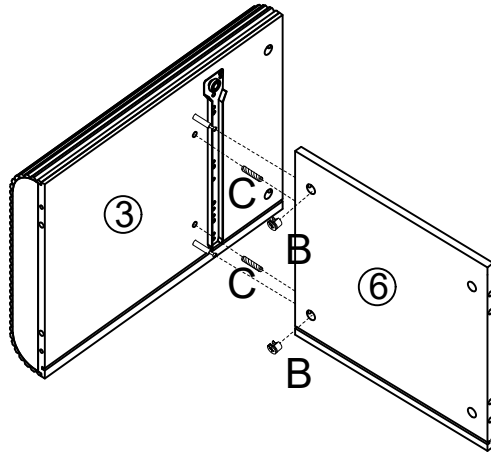


STEP 2  A×4





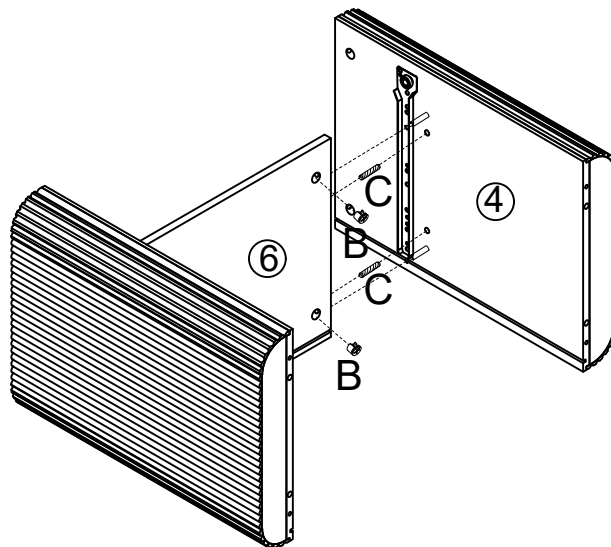
STEP 3

 B×2  C×2

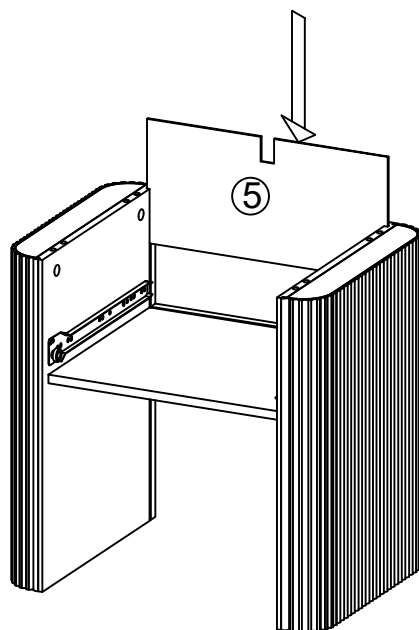


STEP 4

 B×2  C×2

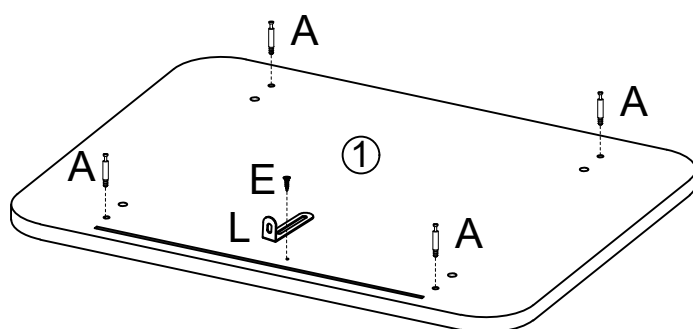


# STEP 5

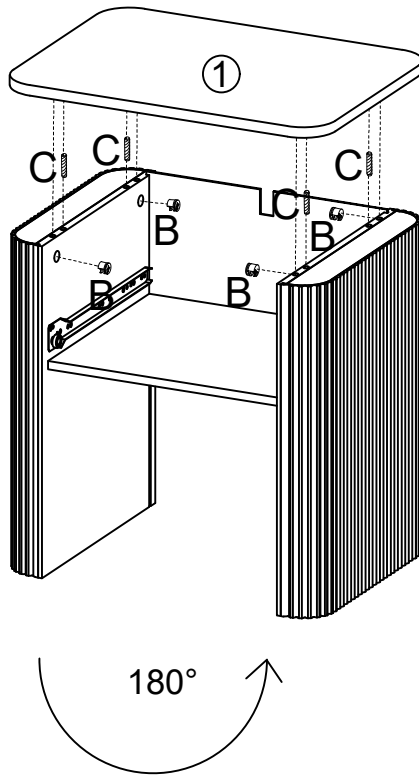
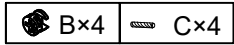


# STEP 6

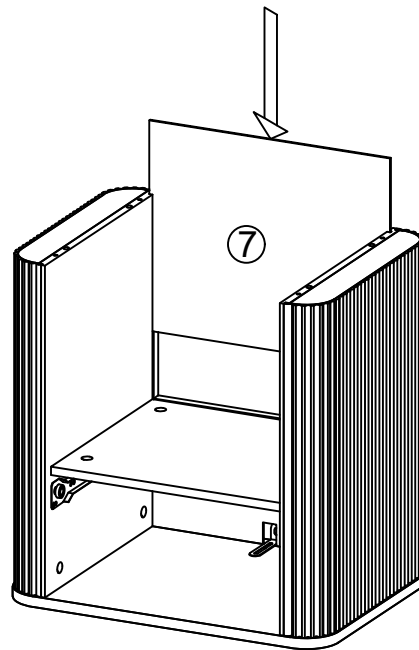
Ax4 Lx1 Ex1



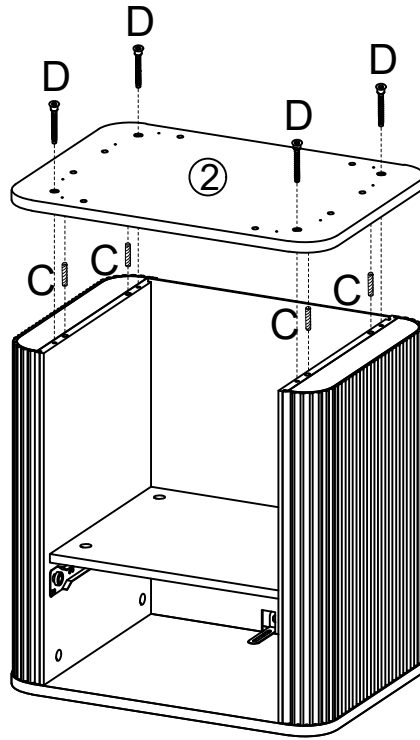
STEP 7





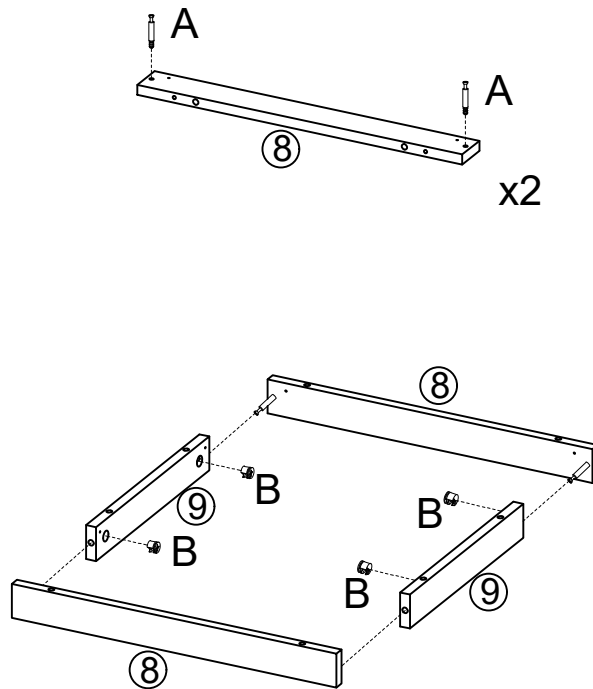
STEP 8



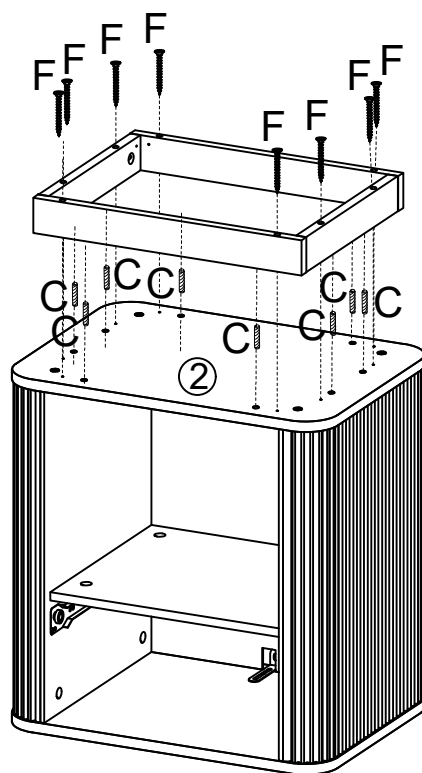
STEP 9  D×4  C×4



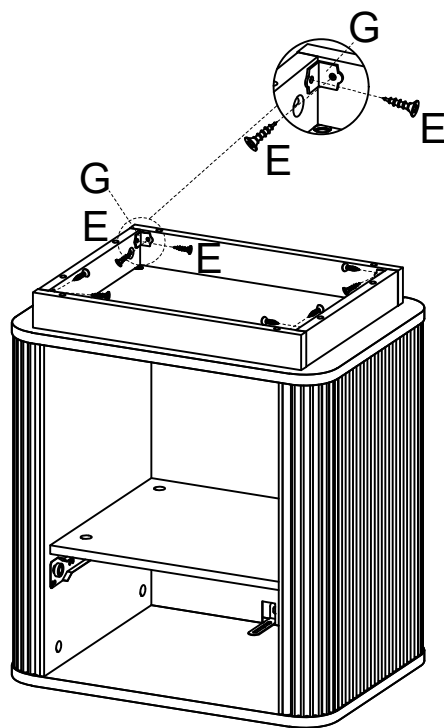
STEP 10  A×4  B×4




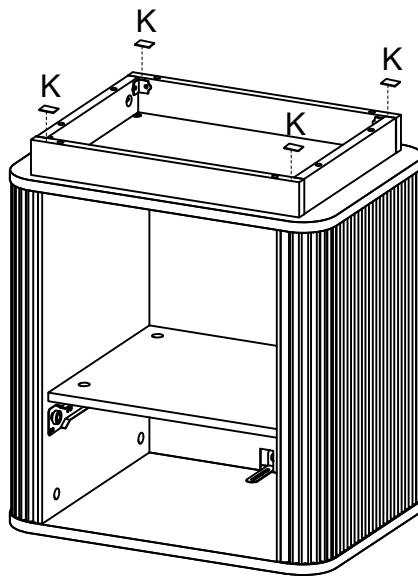
STEP 11  F×8  C×8





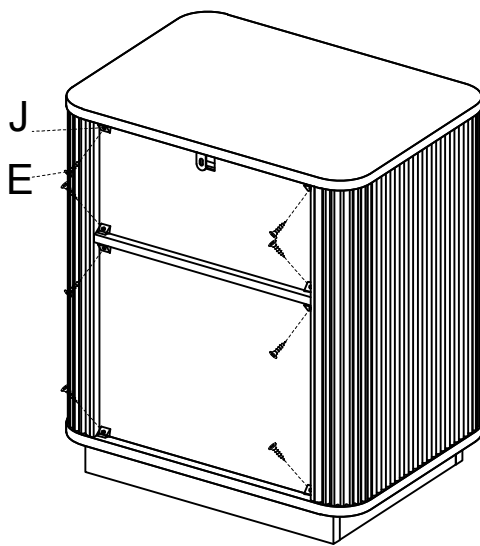
STEP 12  G×4  E×8




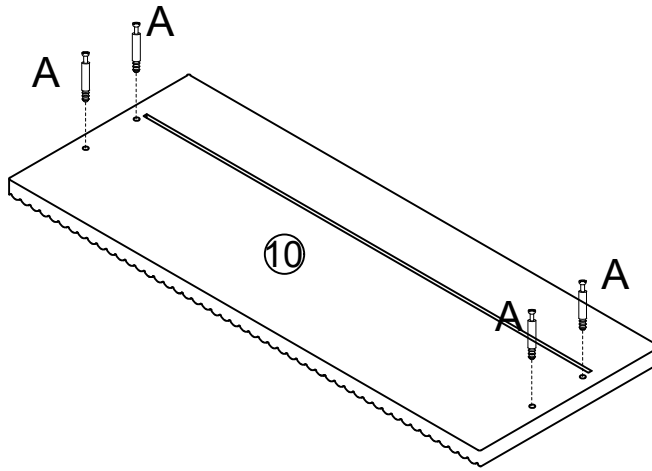
STEP 13  K×4




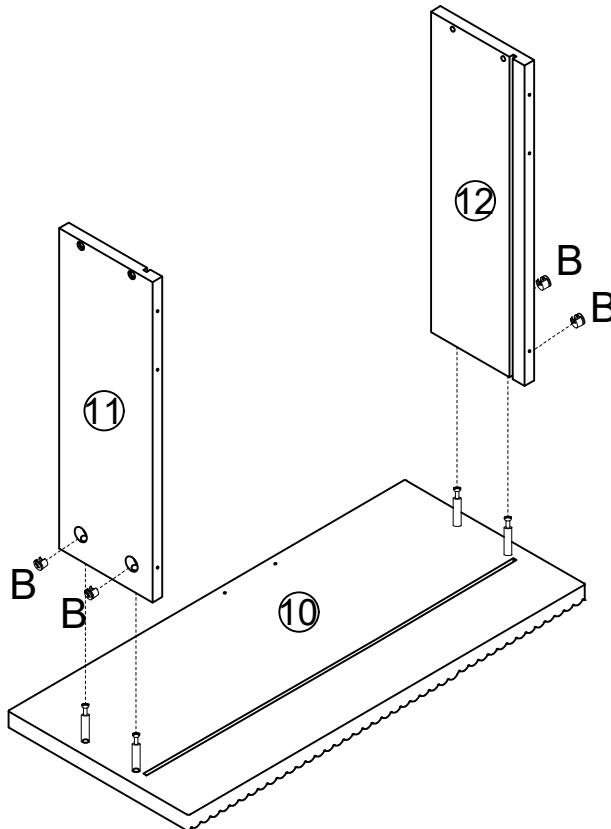
STEP 14  J×8  E×8



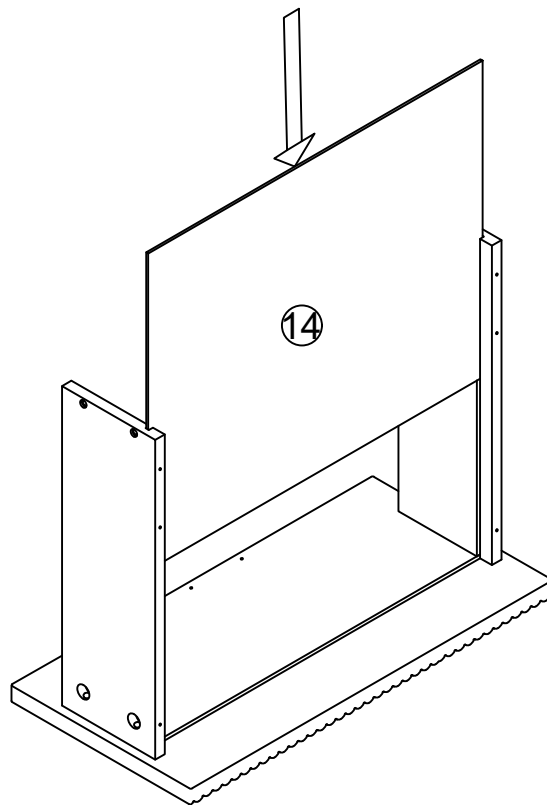
STEP 15  A×4



STEP 16  B×4

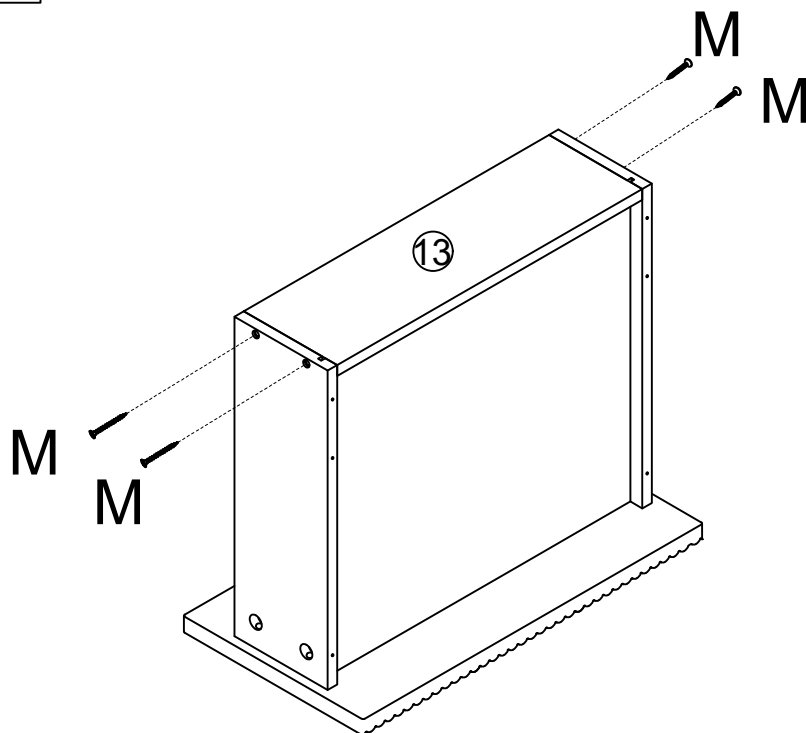



STEP 17

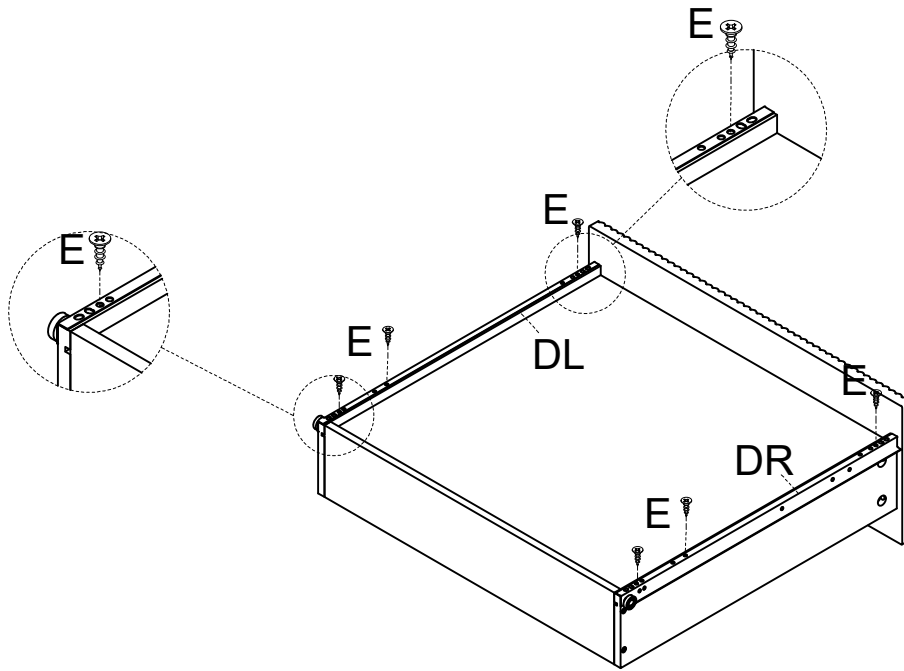


STEP 18

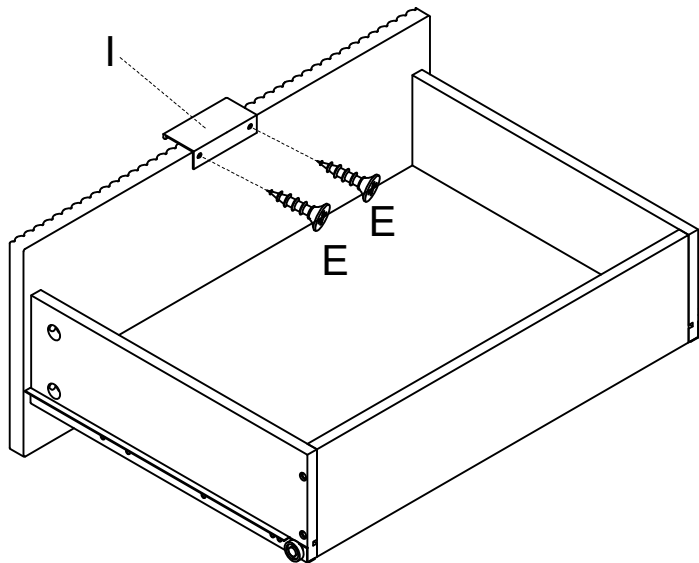
✓ M×4


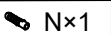


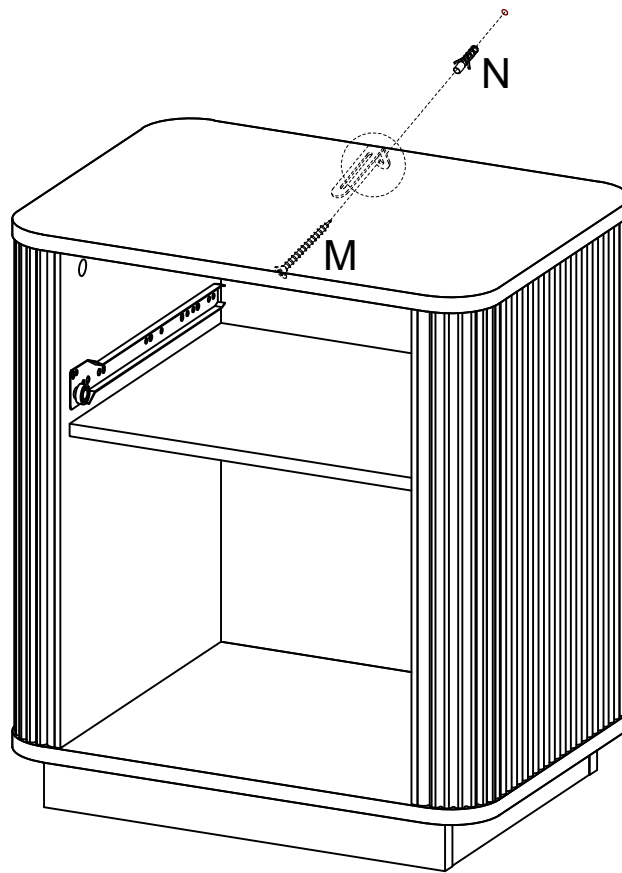
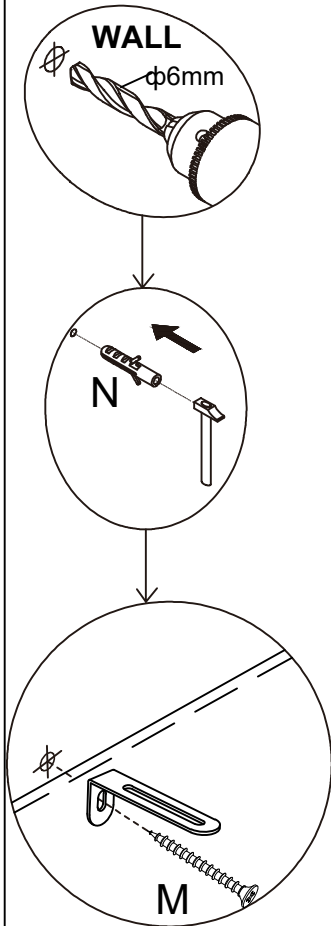
STEP 19  E×6



STEP 20  E×2  I×1



STEP 21  M×1  N×1



**▲ WARNING**



**Children have died from furniture tipover.**

- ALWAYS secure it with an anchor device.
- NEVER allow children to stand, climb or hang on drawers, doors, or shelves.
- NEVER open more than one drawer at a time.
- Place heavy items down low.
- Furniture type is at risk of toppling over.

NEVER put a TV on this furniture 

**This is a permanent label. Do not remove!**

TOPPLING FURNITURE WARNING:

- ALWAYS secure it with an anchor device.
- Please seek professional advice if you are in doubt of what fixing device to use.
- Regularly check that anchors are securely maintained.
- Use safety drawer locks to prevent children climbing.
- Stability of tall items may be affected by thick pile carpet or uneven floors .
- Do not place unanchored televisions on furniture .

**CAUTION:** for your safety when attaching the anchor fixings, please note the following:

- Check any electrical wires or plumbing inside the wall before drilling any holes (if you are unsure please seek professional advice from a qualified tradesperson).

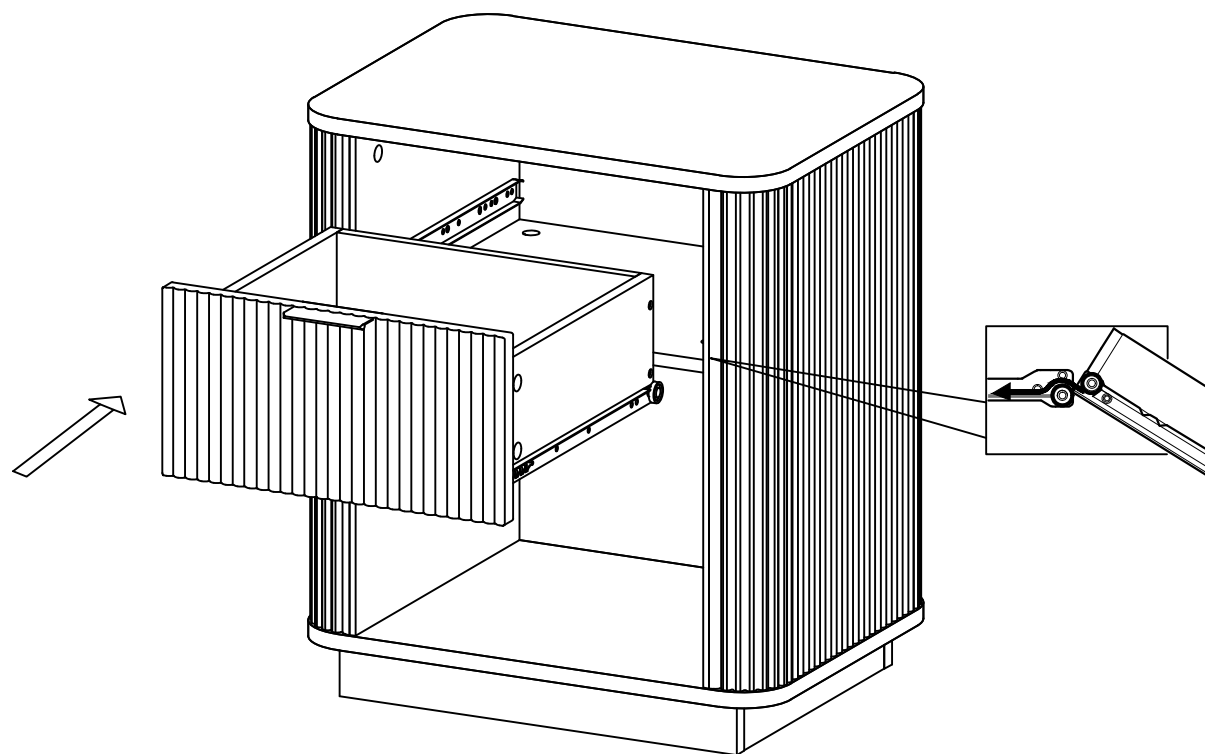


TOPPLING HAZARD

WARNING: PLEASE SECURE YOUR FURNITURE WITH THE SUPPLIED WALL FIXING. SCAN THE CODE FOR MORE INFORMATION.



STEP 22



STEP 23

