

anko

Mini Curler

CS-619

Mini Straightener

CS-615

User Manual



**PLEASE READ AND SAVE THESE
INSTRUCTIONS FOR FUTURE REFERENCE**

IMPORTANT SAFEGUARDS

When using any electrical product, always follow these basic safety precautions:



READ ALL INSTRUCTIONS BEFORE USE.

Please read this instruction manual before using your product and keep it in a safe place for future reference. If you pass the appliance on to anyone else, please include this manual.

SAFETY PRECAUTIONS

- Carefully read all instructions before operation and retain for future reference.
- Do not place near the edge of a bench or table during operation .
- Always place the appliance on a heat-resistant stable flat surface.
- Ensure the surface is dry, level, clean and free of liquid and other substances.
- Do not leave the appliance unattended when the appliance is connected to mains power. Always ensure the appliance is turned off by switching off and then disconnecting the appliance from mains power when not in use.
- Always keep the appliance clean.
- Fully unwind the cord before use.
- To protect against electric shock, do not immerse the power cord, plug or appliance in water or any other liquid.
- Do not allow the cord to hang over the edge of the table or bench, touch hot surfaces or become knotted.
- This appliance is not intended for use by persons (including children) with reduced physical, sensory or mental capabilities, or lack of experience and knowledge, unless they have been given supervision or instructions concerning use of the appliance by a person responsible for their safety.
- Children should be supervised to ensure that they do not play with this appliance.
- If the supply cord is damaged do not use. Any repairs to the product must be carried out by qualified electrical person only or the product must be disposed.
- This product is intended for household use only. Do not use it outdoors or for commercial industrial purposes.
- NEVER grasp the appliance, power cable or power plug with wet hands.
- Always remove the power cable from the socket by pulling on the plug; do not pull on the cable itself. Do not hold or carry the appliance by the power cord.
- Do not fold or crush the power cable. Ensure that the power cable does not run over sharp edges.
- Please do not attempt to dismantle the appliance. This appliance has no user-serviceable parts inside.
- When the appliance is used in a bathroom, disconnect from mains power after use. Using the product proximity of water presents a hazard even when the appliance is switched off.
- Do not use outdoors or operate where aerosol (spray) products are being used or where oxygen is being administered.

- For additional electrical protection, the installation of a residual current device (RCD/ Safety switch) having a rated residual operating current not exceeding 30mA is advisable in the electrical circuit supplying the bathroom. If unsure, check with your electrician.
- For cleaning and maintenance, please referred to “CLEANING AND MAINTENANCE” section.
- Burn hazard. Keep appliance out of reach from young children, particularly during use and cool down.

RISK OF FIRE

- Do not leave the appliance unattended when in use.
- To avoid a build-up of heat, NEVER cover the appliance. Do not use the appliance under a blanket or at other poorly ventilated locations
- Avoid the addition of heat from other sources, e.g., from direct sunlight, heating appliance, other devices, etc.
- Do not use an extension cable. In the event of danger, the supply cord plug must be quickly and easily accessible.

ELECTRICAL REQUIREMENT

- Check that the voltage on the rating plate of your appliance corresponds with your house electricity supply .

IMPORTANT!

- The plug removed from the mains lead, if severed, must be destroyed as a plug with bared flexible cord is hazardous if engaged into a live power outlet socket.
- **If the supply cord is damaged, DO NOT USE.** Any repairs to the product must be carried out by qualified electrical person only or the product must be disposed of.



Danger of suffocation! Keep all packaging material away from children. Dispose of the packaging materials in an appropriate way. Contact your local authorities about collection points or waste separation.



Caution Risk of Burning! The appliance gets very hot! Take care to avoid contact between the hot surfaces of the unit and the skin, paying particular attention to the face, neck and hands



WARNING: Do not use this appliance near bathtubs, showers, basins or other vessels containing water.



Class II Appliance.

**SAVE THESE INSTRUCTIONS
FOR FUTURE REFERENCE.**

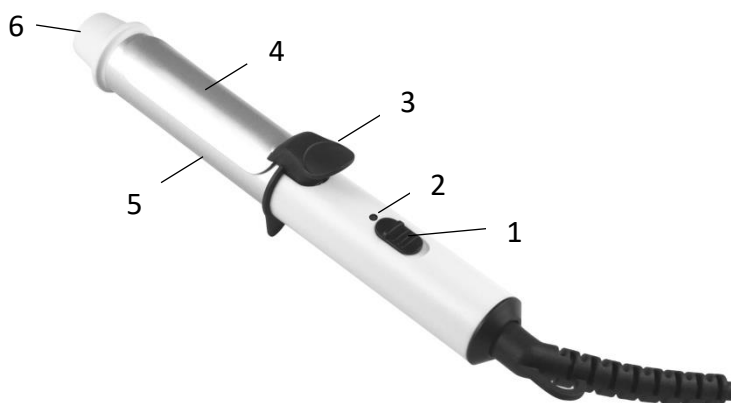
INTRODUCTION

Use the curler and straightener on human hair only. Do not use them on artificial hair or animals. The appliance may have different results depending on the hair type. Therefore, we recommend to do a trial at a hidden spot before first use. They are not recommended for damaged or bleached hair.

BEFORE FIRST USE

- After unpacking the appliance, check for transport damage and that all the parts mentioned in this manual are present. In the event of damaged or missing parts, return the product to respective Customer Service Centre.
- Do not discard the original packing. It can be used for storage and dispatch to avoid transport damage.
- Clean the appliance as described in Cleaning and Maintenance. For your safety make particular attention to the safety instructions in the manual.

KNOW YOUR MINI CURLER



- | | |
|--------------------|-------------------|
| 1. On/Off switch | 4. Clamp |
| 2. Power indicator | 5. Curling barrel |
| 3. Clamp lever | 6. Cool tip |

Operation

WARNING! Never touch the hot curling barrel.

WARNING! Always use the handle to hold the hair curler.

ATTENTION! The curling barrels cool down slower than heat up.

- Fully unwind the supply cord before turned on the appliance.
- Place the appliance on a smooth, flat, dry and heat resistant surface.
- Connect the power cord plug into a mains power outlet socket.
- Push the ON/OFF switch to ON position, the power indicator will light up.
- Wait until the hair curler has heated up. It takes approx. 3 minutes.

ATTENTION! The curling barrel heat up very fast.

- When the appliance is ready, you may start hair styling.

Tip: For better results, wash, comb and blow your hair until 80% dry.

- Press the clamp lever to open the clamp. Take a section of hair with no more than 3cm wide, place the ends of strands of hair between the barrel and the clamp, then release the clamp lever, so that the hair strand is fixed.
- Rotate the handle so that the strand of hair is rolled up to the roots. Maintain sufficient distance between the scalp and curling barrel.

- Hold the hair curler in position for 10-15 sections to create gentle hair waves.
- Carefully unwind the strand halfway, open the clamp and free the curled hair gently.
- Continue styling the remaining sections of hair.
- Turn off the appliance after use, make sure the power indicator has gone off.

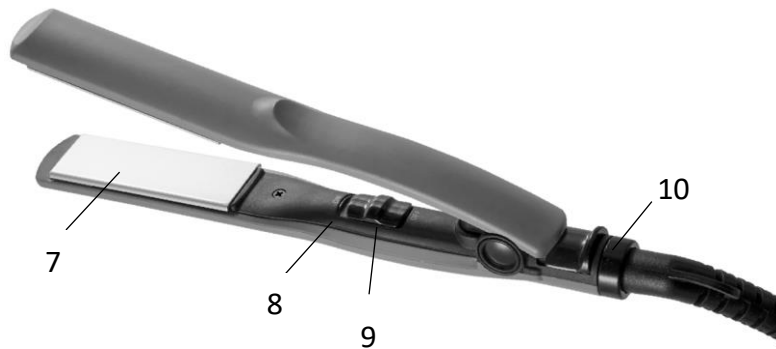
IMPORTANT! Do not leave the Hair Curler unattended when in use.

- Unplug the appliance, then put it on the table to allow for cooling.
- **CAUTION!** Allow to cool before putting it down or storing away.
- **CAUTION!** Always unplug the appliance immediately after use in case of malfunction or before cleaning.

IMPORTANT! The appliance may provide different results depending on the hair type. Therefore, we recommend carrying out a trial on a hidden area of your hair before first use.

- This hair curler is not recommended for use on damaged or bleached hair.

KNOW YOUR MINI STRAIGHTENER



7. Heat plate
9. On/Off switch

8. Power indicator
10. Plate Lock

Operation

WARNING! Never touch the hot heating plates. Always use the handle to hold the hair straightener.

ATTENTION! The heating plates cool down slower than they heat up.

- Unlock the heat plates, and fully unwind the supply cord. Make sure the ON/OFF switch is in OFF position.
- Place the appliance on a smooth, flat, dry and heat resistant surface.
- Connect the power cord plug into a mains power outlet socket.
- Push the ON/OFF switch to ON position, the power indicator will light up.

ATTENTION! The heating plates heat up very fast. It takes approx. 3 minutes to each max. temperature.

- When the appliance is ready, you may start hair styling.
- To begin straightening hair, take a section no more than 4 to 5cm wide. Place the hair between the two flat plates as close as you can near the scalp.
- Hold the plates tight for a couple of seconds and slide the straightener in even motion towards the ends. For the best results, hold the hair while smoothing the section.

- **CAUTION! Do not hold the hair between the plates for more than a couple of seconds as this may damage/burn your hair.**
- When you have finished one section, move to another area of hair and repeat the process. Allow the hair to cool before combing through.
- After use, turn OFF the appliance, make sure the power indicator has gone off.
- Unplug the appliance from mains power and allow it to cool down.
- **CAUTION!** Allow to cool down completely before storing.
- **CAUTION!** Always unplug the appliance immediately after use in case of malfunction or before cleaning.
- **IMPORTANT!** The appliance may provide different results depending on the hair type. Therefore, we recommend carrying out a trial on a hidden inconspicuous area of your hair before first use.
- **This hair straightener is not recommended for use on damaged or bleached hair.**

CLEANING AND MAINTENANCE

ATTENTION! Turn off the appliance and disconnect the plug from mains power outlet, allow the appliance completely cool down before cleaning.

ATTENTION! Do not use any alcohol, acetone, gasoline, abrasive cleaning agents, etc. to clean the plastic components. Do not use hard brushes or metal objects for cleaning.

Risk of burning! Do not clean the appliance while still hot.

- Wipe the appliance with a dry cloth.
- Never submerge the appliance in water or let water run over the heating plates or the appliance.
- The heating plates can be cleaned with a slightly damp cloth and a little detergent if necessary.
- Dry thoroughly after cleaning.

STORAGE

- Store the appliance in a cool, dry location, away from children and pets.
- After use do not wrap the cord around the appliance as this may cause the cord to fracture. Coil cord loosely by the side of the appliance after use and when storing.
- If the appliance is not used for an extended period, store it preferably in its original packaging.

DISPOSAL

Do not dispose this product with normal household waste collection. If unsure, contact the local council waste management service for proper disposal facilities available for your area.

TECHNICAL DATA

Model No.	CS-619	CS-615
Voltage	100-240V~ 50-60Hz	100-240V~ 50-60Hz
Power	31W	25W

12 Month Warranty

Thank you for your purchase.

Your new product is warranted to be free from defects in materials and workmanship for the period stated above, from the date of purchase, provided that the product is used in accordance with accompanying recommendations or instructions where provided. This warranty is in addition to your rights under the Australian Consumer Law.

For New Zealand customers, this warranty is in addition to statutory rights observed under New Zealand legislation.

We will provide you with your choice of a refund, repair (where possible) or exchange (availability dependent) for this product if it becomes defective within the warranty period. The business will bear the reasonable expense of claiming the warranty.

This warranty will no longer apply where the defect is a result of alteration, accident, misuse, abuse or neglect.

Please retain your receipt as proof of purchase and contact our Customer Service Centre as listed below, for the entity you purchased this product from, for any difficulties with your product. Warranty claims and claims for expense incurred in returning this product can be addressed to the respective Customer Service Centre.

Our goods come with guarantees that cannot be excluded under the Australian Consumer Law. You are entitled to a replacement or refund for a major failure and compensation for any other reasonably foreseeable loss or damage. You are also entitled to have the goods repaired or replaced if the goods fail to be of acceptable quality and the failure does not amount to a major failure.

Contact for Kmart purchases	Contact for Target purchases
Kmart Australia Ltd. C/- Customer Service Centre 690 Springvale Road, Mulgrave Vic 3170 Customer Service: 1800 124 125 (Australia) or 0800 945 995 (New Zealand) or via Customer Help at kmart.com.au	Target Australia Pty Ltd C/- Customer Service Centre 2 Kendall Street, Williams Landing, Vic, 3027 Customer Service: 1300 753 567 or via Customer Help at target.com.au/help/contact-us

anko

Mini Hair dryer

QL-5903A

User Manual



**PLEASE READ AND SAVE THESE
INSTRUCTIONS FOR FUTURE REFERENCE**

IMPORTANT SAFEGUARDS

When using any electrical product, always follow these basic safety precautions:



READ ALL INSTRUCTIONS BEFORE USE.

Please read this instruction manual before using your product and keep it in a safe place for future reference. If you pass the appliance on to anyone else, please include this manual.

- Carefully read all instructions before operation and retain for future reference.
- Do not place near the edge of a bench or table during operation.
- Ensure the surface is dry, level, clean and free of liquid and other substances.
- Do not leave the appliance unattended when in use. Always ensure the appliance is turned off by switching off and unplugging the appliance when not in use, if left unattended and before cleaning and storing.
- Always keep the appliance clean.
- Fully unwind the cord before use.
- To protect against electric shock, do not immerse the power cord, plug or appliance in water or any other liquid.
- Do not allow the cord to hang over the edge of the table or bench, touch hot surfaces or become knotted.
- This appliance is not intended for use by persons (including children) with reduced physical, sensory or mental capabilities, or lack of experience and knowledge, unless they have been given supervision or instruction concerning use of the appliance by a person responsible for their safety.
- Children should be supervised to ensure that they do not play with this appliance.
- If the supply cord is damaged, it must be replaced by a qualified electrician in order to avoid a hazard, or the product must be disposed of.
- This product is intended for household use only. Do not use it outdoors or use for commercial purposes.
- NEVER grasp the appliance, power cable or power plug with wet hands.
- Always remove the power cable from the socket by pulling on the plug, do not pull on the cable itself. Do not carry or lift the appliance with the power cord.
- Do not fold or crush the power cable. Ensure that the power cable does not run over sharp edges.
- Please do not attempt to dismantle the appliance. This appliance has no user-serviceable parts inside.
- When the appliance is used in a bathroom, disconnect from the mains power after use. Since the proximity of water presents a hazard even when the appliance is switched off.
- Do not use outdoors or operate where aerosol (spray) products are being used or where oxygen is being administered.
- For additional protection, the installation of a residual current device (RCD/Safety switch) having a rated residual operating current not exceeding 30mA is advisable in the electrical circuit supplying the bathroom. If unsure, check with your electrician.
- **DANGER OF ELECTRIC SHOCK!** Do not insert any foreign objects into the appliance.
- Do not use any accessories not supplied with this product.

- The appliance is not intended to be operated by means of an external timer or separate remote control system.
- Always keep the hair away from the rear grille of the appliance. Hair may be sucked into the rear of the appliance causing a blockage.
- Never cover or block the rear grille of the appliance. This may lead to overheating. If the rear grille becomes blocked, stop using the appliance immediately.
- Ensure the appliance concentrator nozzle is free to blockages. Unrestricted airflow is required for correct operation and to prevent overheating.
- The concentrator nozzle will become hot is use. Allow it to cool before removing it.
- For cleaning, please refer to section “CLEANING AND MAINTENANCE”
- For what action to be taken to adjust the appliance, please refer to section “SETTING THE MAINS VOLTAGE”

RISK OF FIRE

- Do not leave the appliance unattended when in use.
- To avoid a build-up of heat, NEVER cover the appliance. Do not use the appliance under a blanket or at other poorly ventilated locations
- Avoid the addition of heat from other sources, e.g., from direct sunlight, heating appliances, other devices, etc.
- Do not use an extension cable. In the event of danger, the plug must be quickly and easily accessible.

ELECTRICAL REQUIREMENT

- Check that the voltage on the rating plate of your appliance corresponds with your house electricity supply which must be 110-120V or 220V-240V AC.
- **For Australia the Voltage Selector (4) must be set to 220-240V AC.**

IMPORTANT

- The plug removed from the mains lead, if severed, must be destroyed as a plug with bared flexible cord is hazardous if engaged into a live socket.
- If the supply cord is damaged DO NOT use. For electrical safety, any repairs to the product must be carried out by qualified electrical person only or the product must be disposed of.



Danger of suffocation! Keep all packaging material away from children. Dispose of the packaging materials in an appropriate way. Contact your local authorities about collection points or waste separation.



Caution Risk of Burning! The appliance gets very hot! Take care to avoid contact between the hot surfaces of the unit and the skin, paying particular attention to the face, neck and hands



WARNING: Do not use this appliance near bathtubs, showers, basins or other vessels containing water.



Class II Appliance.

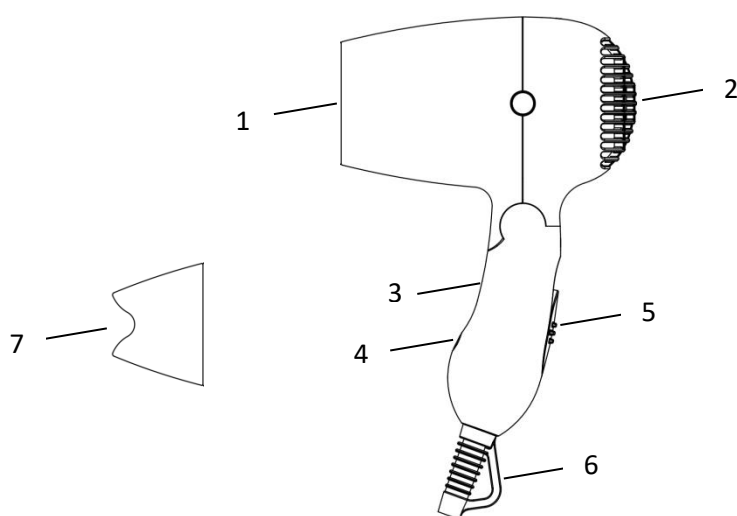
The hairdryer is for household use only.

**SAVE THESE INSTRUCTIONS
FOR FUTURE REFERENCE**

INTRODUCTION

Use this appliance to dry human hair only. Do not use this appliance on artificial hair or animals. The appliance may have different results depending on the hair type. Therefore, we recommend to do a trial at a hidden spot before first use. The hairdryer is not recommended for damaged or bleached hair.

PARTS



- | | |
|-----------------------|--------------------------|
| 1. Air outlet | 2. Rear grille/Air inlet |
| 3. Foldable Handle | 4. Voltage selector |
| 5. Power/Speed switch | 6. hanging loop |
| 7. concentrator | |

BEFORE FIRST USE

- After unpacking the appliance, check for transport damage and that all the parts mentioned in this manual are present. In the event of damaged or missing parts, return the product to respective Customer Service Centre.
- Do not discard the original box. It can be used for storage and dispatch to avoid transport damage.
- Clean the appliance as described in CLEANING AND MAINTENANCE. For your safety make particular attention to the IMPORTANT SAFEGUARDS supplied in the user manual.
- **For Australia the Voltage Selector (4) must be set to 220-240V AC.**

SETTING THE MAINS VOLTAGE

Always check the local mains voltage in your area **before** connecting this appliance. You may need to change the voltage selector setting to match the local mains voltage correctly. To change the operating voltage, turn the selector switch on the handle with a screwdriver or a small coin to line up the slot in the screw with the correct voltage as shown below:





IMPORTANT! Always remember to check the voltage setting before use when you have travelled to another country or returned home. Incorrect voltage setting will result in permanent damage to the appliance

For Australia, ensure that the Voltage Selector (4) is set to 220-240V AC.

OPERATION

WARNING! To prevent hair from getting sucked in from the rear air vent, keep hair 10cm away from the hair dryer. Please ensure children are supervised when using the hair dryer.

- Fully unwind the mains cable. Make sure the Power/ Speed switch (5) is in OFF (0) position.
- Place the appliance on a smooth, flat, dry surface. Plug-in and switch on at the mains supply.
- Fit the Concentrator if required by pressing it firmly into the Air Outlet.
- The Concentrator can be dis-assembled if not required, but allow it to cool before removing.
- Adjust to the desired blowing strength:
Position O ----- OFF
Position  ----- Low heat setting
Position  ----- High heat setting
- When finished drying or styling, switch the appliance OFF, unplug the appliance and allow it to cool before putting it down/storing.

CLEAN THE REAR GRILLE

- If during use, the rear grille becomes clogged or blocked with dust or dirt, clean the rear grille.
- Remove dust or dirt by using a dry brush.
- The unit should be cleaned at least once a month.
- Clean the appliance with a soft, slightly damp cloth. Make sure that no moisture has entered the appliance during cleaning.

CLEANING AND MAINTENANCE

- **Attention!** Turn off the appliance and disconnect the plug from the power outlet before cleaning.
- **Attention!** Do not use any alcohol, acetone, gasoline, abrasive cleaning agents, etc. to clean the plastic components. Do not use hard brushes or metal objects for cleaning.
- Risk of burning! Do not clean the appliance while still hot.
- Clean the appliance with a soft, slightly damp cloth. Make sure that no moisture has entered the appliance during cleaning.
- Never submerge the appliance in water or let water run over the heating element or appliance.
- Clean the air inlet from time to time with a fine brush.

STORAGE

- Store the appliance in a cool, dry location, away from children and pets.
- If the appliance is not used for an extended period, store it preferably in its original packaging.
- After use do not wrap the cord around the appliance as this may cause the cord to fracture. Coil cord loosely by the side of the appliance in storage.

DISPOSAL

- Do not dispose this product with normal household waste collection. If unsure, contact the local council waste management service for proper disposal facilities available for your area.

TECHNICAL DATA

Voltage: 110-120V or 220-240V

Frequency: 50-60Hz

Power: 1000-1200W

12 Month Warranty

Thank you for your purchase.

Your new product is warrantied to be free from defects in materials and workmanship for the period stated above, from the date of purchase, provided that the product is used in accordance with accompanying recommendations or instructions where provided. This warranty is in addition to your rights under the Australian Consumer Law.

For New Zealand customers, this warranty is in addition to statutory rights observed under New Zealand legislation.

We will provide you with your choice of a refund, repair (where possible) or exchange (availability dependent) for this product if it becomes defective within the warranty period. The business will bear the reasonable expense of claiming the warranty.

This warranty will no longer apply where the defect is a result of alteration, accident, misuse, abuse or neglect.

Please retain your receipt as proof of purchase and contact our Customer Service Centre as listed below, for the entity you purchased this product from, for any difficulties with your product. Warranty claims and claims for expense incurred in returning this product can be addressed to the respective Customer Service Centre.

Our goods come with guarantees that cannot be excluded under the Australian Consumer Law. You are entitled to a replacement or refund for a major failure and compensation for any other reasonably foreseeable loss or damage. You are also entitled to have the goods repaired or replaced if the goods fail to be of acceptable quality and the failure does not amount to a major failure.

Contact for Kmart purchases	Contact for Target purchases
Kmart Australia Ltd. C/- Customer Service Centre 690 Springvale Road, Mulgrave Vic 3170 Customer Service: 1800 124 125 (Australia) or 0800 945 995 (New Zealand) or via Customer Help at kmart.com.au	Target Australia Pty Ltd C/- Customer Service Centre 2 Kendall Street, Williams Landing, Vic, 3027 Customer Service: 1300 753 567 or via Customer Help at target.com.au/help/contact-us