

2-In-1 Highchair Instruction Manual

6-36
months

HIGHCHAIR
MODE

3-10
years

TODDLER
CHAIR MODE

BPA
FREE

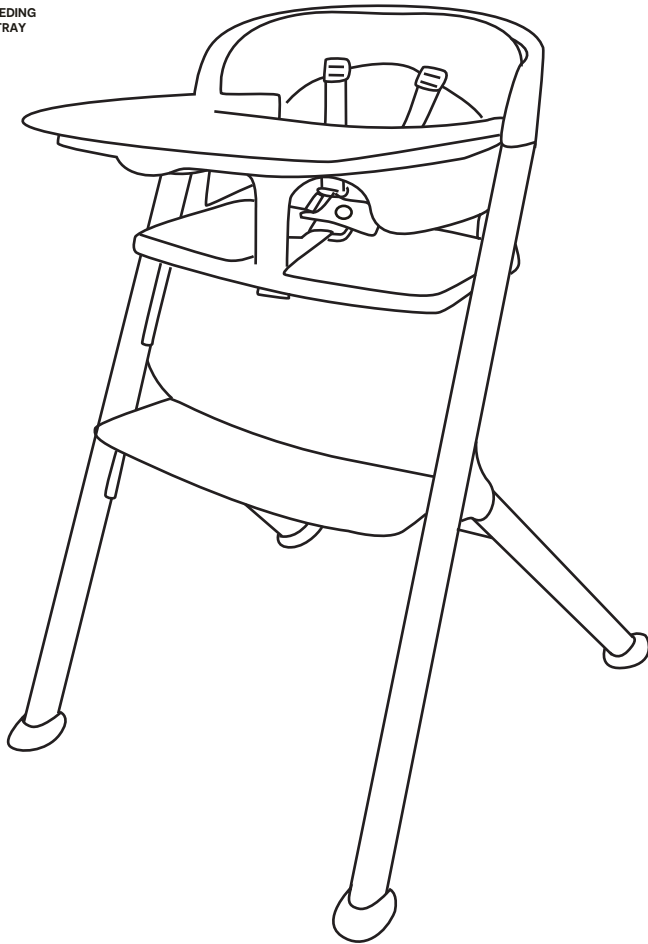
FEEDING
TRAY

15
kg

MAXIMUM
WEIGHT OF
CHILD IN
HIGHCHAIR
MODE

30
kg

MAXIMUM
WEIGHT OF
CHILD IN
TODDLER
CHAIR MODE



THE ILLUSTRATIONS SHOWN IN THIS MANUAL ARE FOR REFERENCE ONLY. THE MANUFACTURER RESERVES THE RIGHT TO CHANGE ANY SPECIFICATION OR FEATURE WITHOUT FURTHER NOTICE.

IMPORTANT! PLEASE READ CAREFULLY BEFORE USE AND KEEP FOR FUTURE REFERENCE.

THIS PAGE HAS BEEN PURPOSELY LEFT BLANK

Safety Advice

WARNING!

IMPORTANT: READ CAREFULLY AND RETAIN THESE INSTRUCTIONS FOR FUTURE REFERENCE.

Read these instructions carefully before assembly and use and keep for future reference. The child may be hurt if you do not follow these instructions. Adult assembly required.

Before using, remove and dispose of any plastic bags and other packaging (e.g. fasteners, fixing ties, etc.) and keep them out of reach of children.

WARNING! FOLLOW THE MANUFACTURER'S INSTRUCTIONS.

WARNING! Do not leave the child unattended. Always keep child in view while in the highchair.

WARNING! HIGHCHAIR MODE: Suitable for children able to sit up unaided and up to 3 years or a maximum weight of 15kg.

WARNING! TODDLER CHAIR MODE: Suitable from 36 months (3 years) and children weighing up to 30kg.

WARNING! Do not use the highchair until your child can sit up unaided (approximately 6 months).

WARNING! Position the highchair away from solid structures and benches to avoid injuries caused by falls and by access to dangerous items.

WARNING! Do not use the highchair unless all components are correctly fitted and adjusted.

WARNING! Be aware of the risk of open fire and other sources of strong heat, such as electric bar fires, gas fires etc. in the vicinity of the highchair.

WARNING! Do not use if any part is broken, torn or missing.

WARNING! Do not move or carry the highchair with your child inside.

WARNING! THE HARNESS MUST ALWAYS BE USED AND CORRECTLY FITTED. MOST INJURIES FROM HIGHCHAIRS ARE CAUSED BY FALLS.

WARNING! Falling hazard: Prevent your child from climbing on the product.

WARNING! Be aware of the risk of tilting when your child can push its feet against a table or any other structure.

WARNING! Always ensure that children are kept at a safe distance when unfolding or folding the highchair. The mechanism can cause injury if a child is nearby during this process.

› Inspect for any damage or issues and if the highchair is not working correctly, stop using it and seek repair.

› Assembly to be carried out by a competent adult only.

Safety Advice

- › During assembly, children should be kept away from the product due to possible risk of injury.
- › Do not use this item if any components are missing or damaged.
- › Folding and unfolding this product should only be carried out under adult supervision.
- › Ensure that fingers and legs are clear of all adjustments when adjusting this product.
- › Regularly check all fastenings to ensure that they are properly tightened.
- › Use only on a level and stable surface.
- › Ensure children are clear of all moving parts before making any adjustments.
- › Do not use near stairs or steps.
- › When not in use, store away from children.
- › Use the highchair on a flat, even and horizontal floor and do not elevate the highchair on any structure or table.
- › To reduce the risk of injury, position the highchair away from furniture, walls, hot surfaces and liquids, window covering cords and electrical cords.
- › Position the highchair away from furniture when the chair is not being used at a table with the tray removed.
- › Regularly check all connections and / or fittings to ensure they are tight.
- › Do not use accessories or replacement parts other than those approved by the manufacturer.
- › Ensure all users are familiar with the products operation.
- › Ensure your highchair is fully erected before placing your child inside.
- › Do not allow your child to climb unassisted into, play with or hang onto the highchair. This is not a toy.
- › All additional hazards such as electrical flex should be kept out of the reach of children in the highchair.
- › When using the highchair at a table, ensure your child cannot push against the table or another surface as this could result in the chair tipping over.
- › Do not place this product near a blind, cord, strap or similar item that could become wrapped around an infant's neck.
- › Do not leave infant in this product unsupervised.

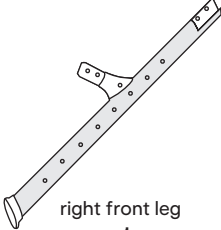
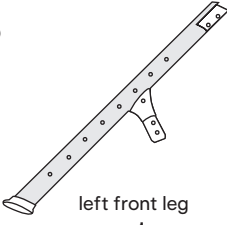
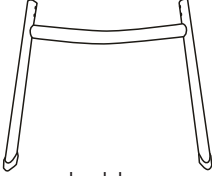


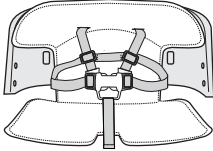
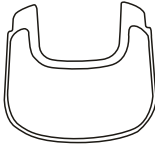
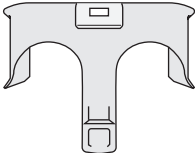
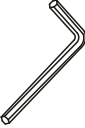


Conforms to AS 4684-2009 and EN 14988:2017+A2:2024

Parts List

Check what you have received:

You have received 1 box. Please check the contents of the box against the list below. If anything is missing, please contact Customer Service.

Supplied in the box:

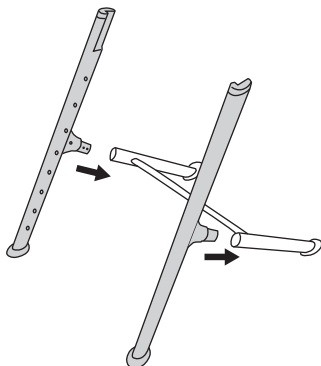
<p>A</p>  <p>right front leg x1</p>	<p>B</p>  <p>left front leg x1</p>	<p>C</p>  <p>back legs x1</p>
<p>D</p>  <p>footrest x1</p>	<p>E</p>  <p>seat plate x1</p>	<p>F</p>  <p>seat backrest (and safety harness) x1</p>
<p>G</p>  <p>feeding tray x1</p>	<p>H</p>  <p>bumper bar x1</p>	<p>I</p>  <p>allen key (included) x1</p>
<p>J</p>  <p>bolts (M5x20) x4</p>		<p>K</p>  <p>bolts (M6x22) x12</p>

NOTE. Parts I, J and K are stored in a bag under the seat plate (E)

Assembly - Highchair Mode

Step 1

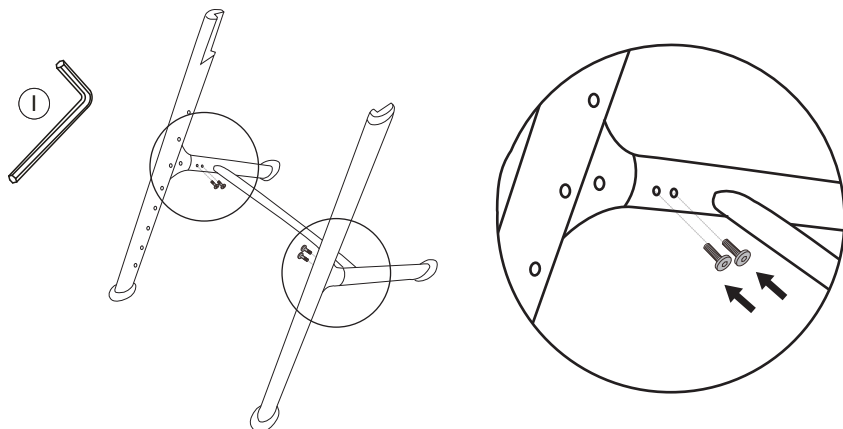
Insert the left front leg (B) and right front leg (A) into the tubes of the back legs (C). Ensure the smooth side of the front legs are visible on the outer side.



Step 2

Screw them together with four M6x22 bolts (K) using the supplied allen key (I).

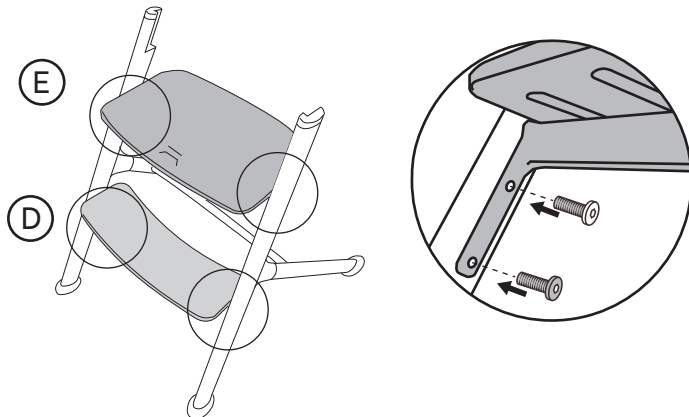
NOTE. The allen key (I) can be found and stored under the highchair seat plate (E).



Assembly - Highchair Mode

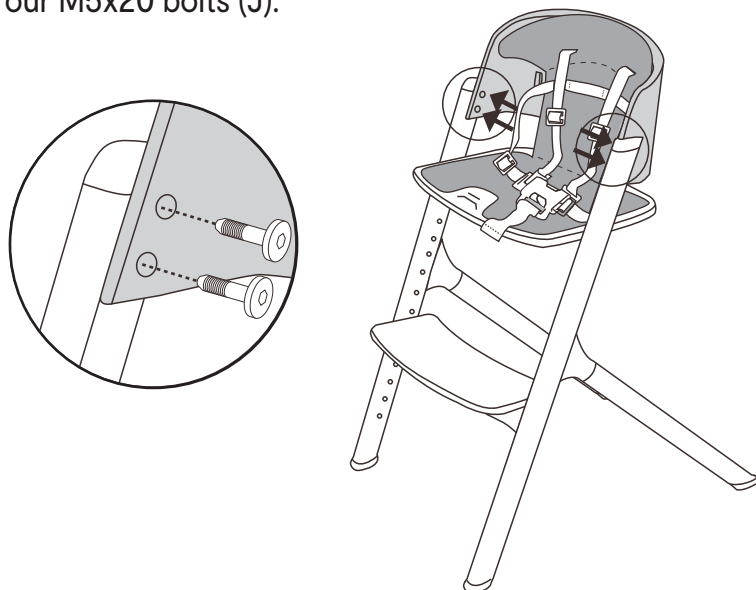
Step 3

Slide the footrest (D) and seat plate (E) between the legs of the chair (the metal pieces on the sides of the footrest should slide into the grooves on the legs). Ensure to insert the seat plate (E) into the highest seat position. Secure them with eight M6x22 bolts (K).



Step 4

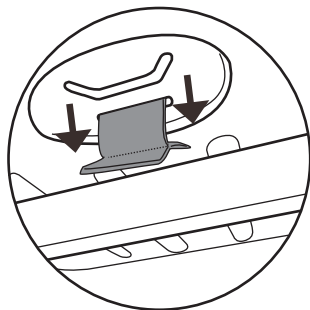
Connect the seat backrest (F) to the top of the legs and secure with four M5x20 bolts (J).



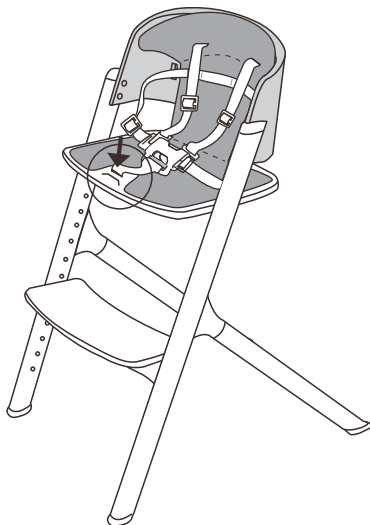
Assembly - Highchair Mode

Step 5

Pass the harness webbing through the horizontal hole of the seat plate (E).

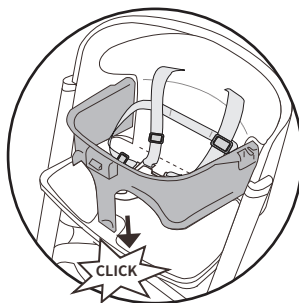
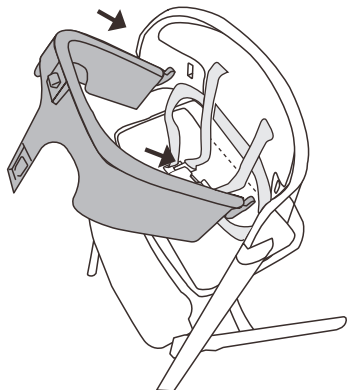


View of harness through the underside of the seat plate



Step 6

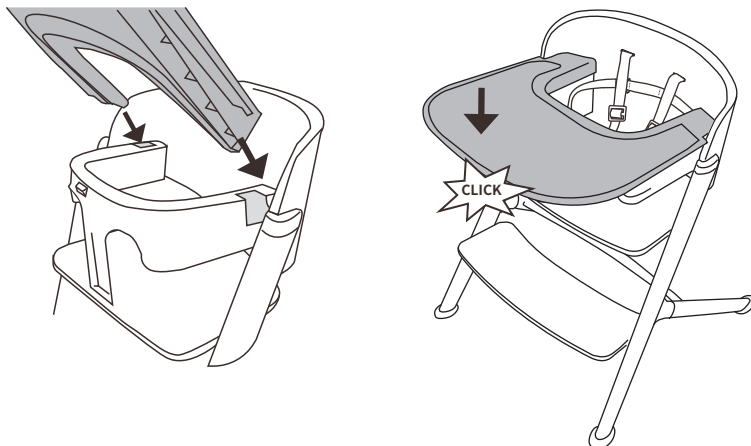
Ensure the seat plate is adjusted to the highest position. Insert the bumper bar (H) into the two holes on the backrest (F) and then insert the lower fixing clip into the hole on the seat. Ensure the bumper bar (H) is securely connected before continuing.



Assembly - Highchair Mode

Step 7

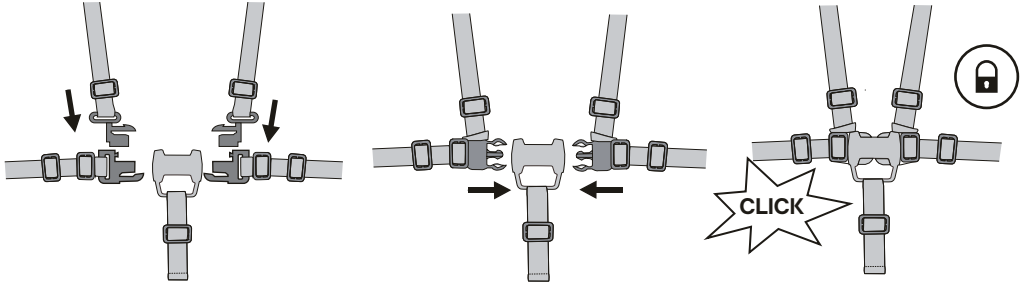
Insert the feeding tray (G) into the slots at the top of the bumper bar (H), then press the tray down. You will hear it click into place.



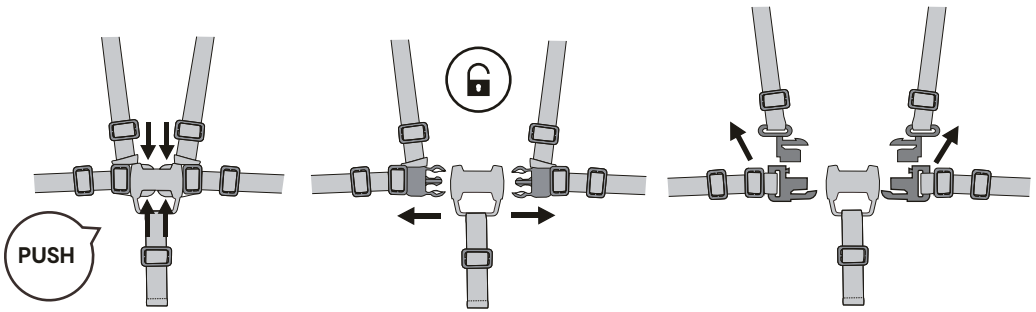
Highchair Operation

Harness Adjustment

To lock: Connect top and side clips then push them into the centre buckle. Listen for the “click”.

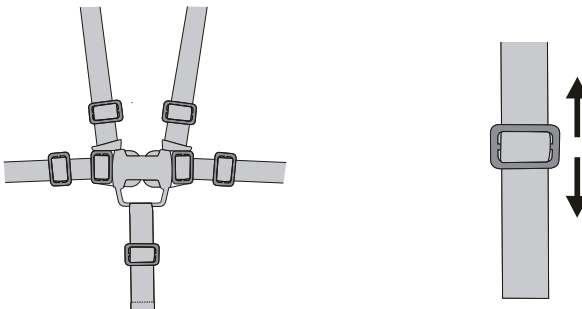


To unlock: Push the side clips at points shown and remove from buckle.



To adjust: Sliding adjusters are fitted and should be adjusted to suit your child.

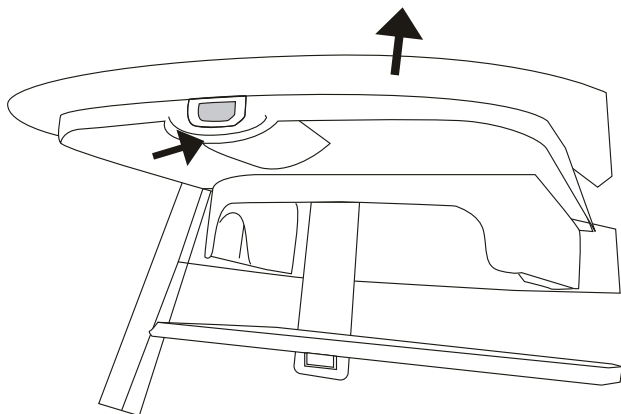
⚠ WARNING: The child should be harnessed snugly and supervised at all times.



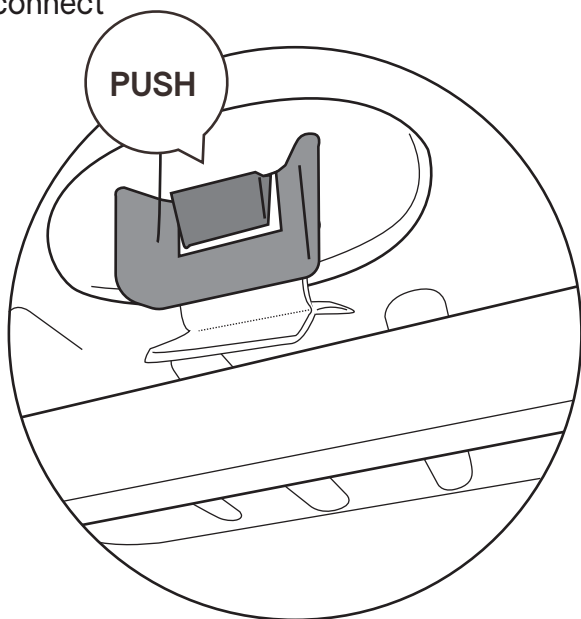
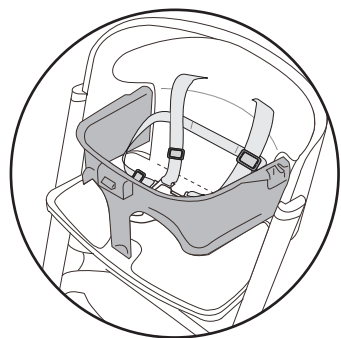
Highchair Operation

Seat Plate and Footrest Height Adjustment

Remove the feeding tray (G) by pressing the button under the tray, then pull the tray up.



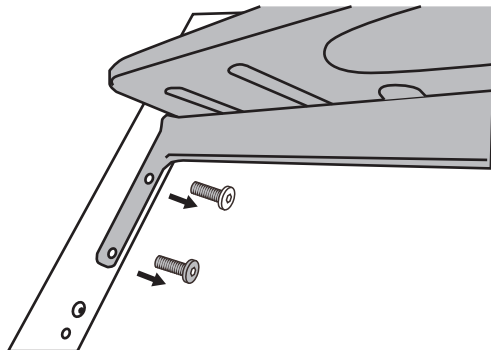
Remove the bumper bar (H) by pressing the button under the seat plate (E). Pull the bumper bar upwards to disconnect it from the seat plate (E) and backrest (F).



Highchair Operation

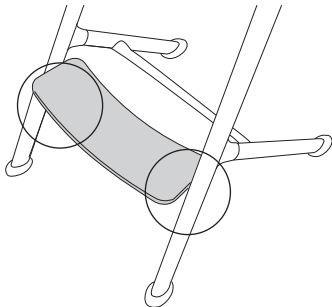
Seat Plate Height Adjustment

Remove the two screws on both sides to adjust the height. After adjustment, re-tighten the screws.



Footrest Height Adjustment

Remove the two screws on both sides to adjust the height. After adjustment, re-tighten the screws.

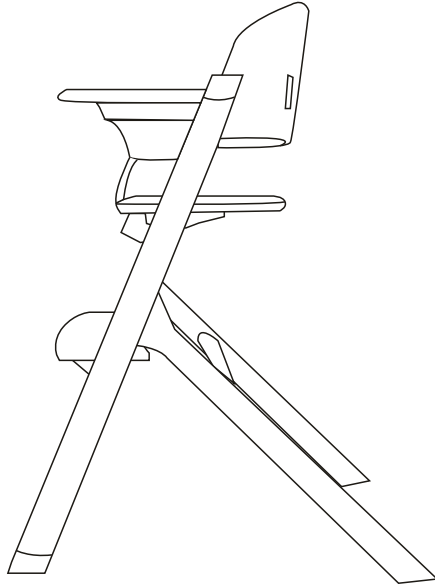


Highchair Operation

Chair Modes

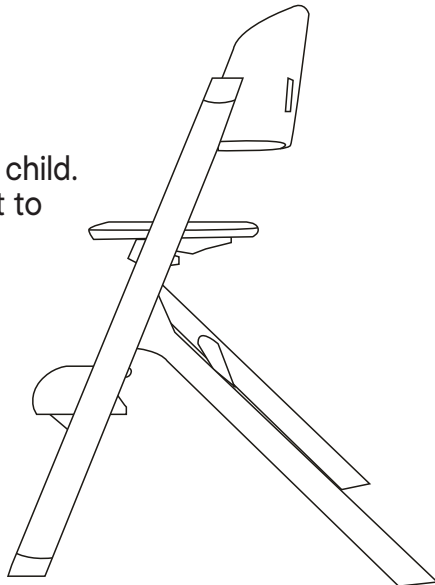
Adjust the seat plate and footrest as you require.

Highchair mode
6 months - 3 years



Toddler Chair mode
3 years - 10 years

NOTE: Chair mode grows with child.
Select appropriate seat height to
suit child's growth.



Care

Maintenance

- › This product requires regular maintenance to ensure correct and safe performance.
- › All assembly fittings are to be tightened properly.
- › Moving parts may be lubricated with a light silicone oil.
- › Replace or adjust parts as needed.

Cleaning

FRAME:

- › Wipe metal and plastic parts clean with a damp cloth.
- › Clean by sponging with warm water and a mild detergent. A mild disinfectant may be used. Stubborn marks may be removed with a non-abrasive cream cleaner.
- › Do not use abrasive pads, bleach or strong household cleaners.
- › Ensure the product is fully dry before re-use or storage.

SEAT PAD:

- › Wipe clean with a damp cloth.
- › Do not bleach.
- › Do not tumble dry.
- › Do not iron.
- › Do not dryclean. ☒

THIS PAGE HAS BEEN PURPOSELY LEFT BLANK

K: 43-552-634 | T: 70-995-824

MADE IN CHINA

KMART AU: L2/1 MIDDLE ROAD, CHADSTONE VIC 3148 AUSTRALIA

KMART NZ: REGIONAL OFFICE C/O KMART PAPATOETOE STORE, HUNTERS
PLAZA, GREAT SOUTH ROAD, PAPATOETOE, AUCKLAND, NEW ZEALAND

TARGET AU: L2/1 MIDDLE ROAD, CHADSTONE VIC 3148 AUSTRALIA

CUSTOMER SERVICE

KMART AU: 1800 124 125

KMART NZ: 0800 945 995

TARGET AU: 1300 753 567