

Assembly Instructions










CAT LITTER BOX CABINET




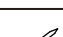




CARE INSTRUCTION: Wipe clean with a soft dry or damp cloth. Keep away from water and direct sunlight. For indoor and domestic use. Check and tighten all parts regularly.

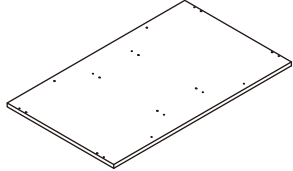
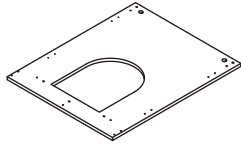
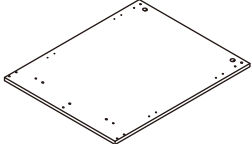
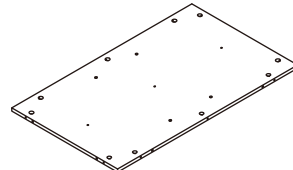


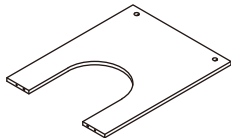
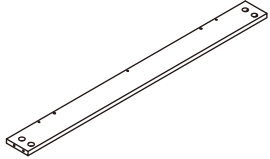
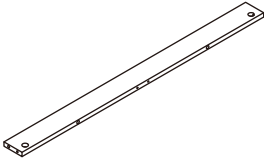
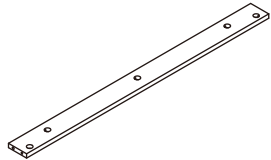
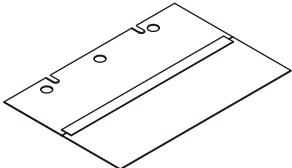
WARNINGS: Do not stand or sit on the unit. Do not lean on the product. Do not drag the product. Use only on a flat surface. Do not use until all screws, bolts and knobs are firmly secured. This product contains small parts and sharp points, keep away from children and babies. Adult assembly required. Failure to follow these warnings could result in serious injury.

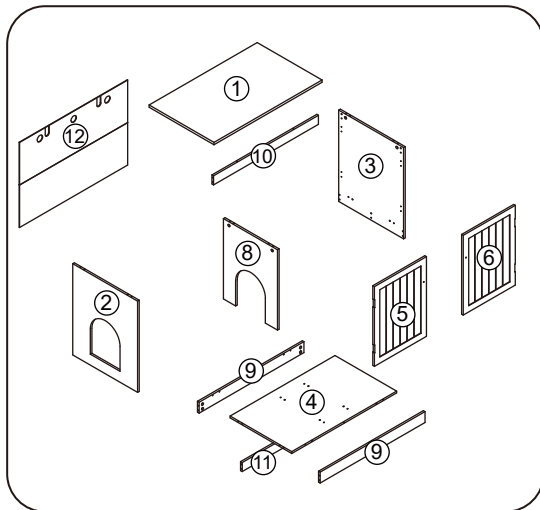
MAXIMUM TOTAL LOADING WEIGHT: 10KGS FOR TOP PANEL, 7KGS FOR BOTTOM PANEL, MAXIMUM LOADING 17KGS.

Hardware list

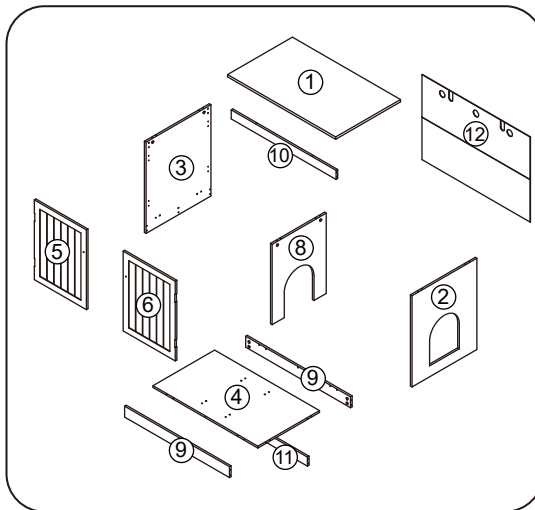
	a		31PCS
	b		31PCS
	c	4X45mm	2PCS
	d	4X35mm	2PCS
	e		4PCS
	f	3X12mm	18PCS
	g	6X30mm	20PCS
	h		2PCS
	i	4X14mm	2PCS

	j		1PC
	k		2PCS
	l	3X14mm	2PCS
	m		18PCS
	n	4X12mm	2PCS
	o		2PCS
	p	4X35mm	2PCS
	q		2PCS

	①	1 PC		②	1 PC		③	1 PC
	④	1 PC		⑤	1 PC		⑥	1 PC
	⑧	1 PC		⑨	2 PCS		⑩	1 PC
	⑪	1 PC		⑫	1 PC			



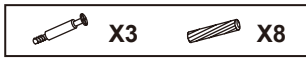
Option 1: For left side facing, follow steps 1 to 22



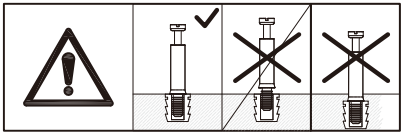
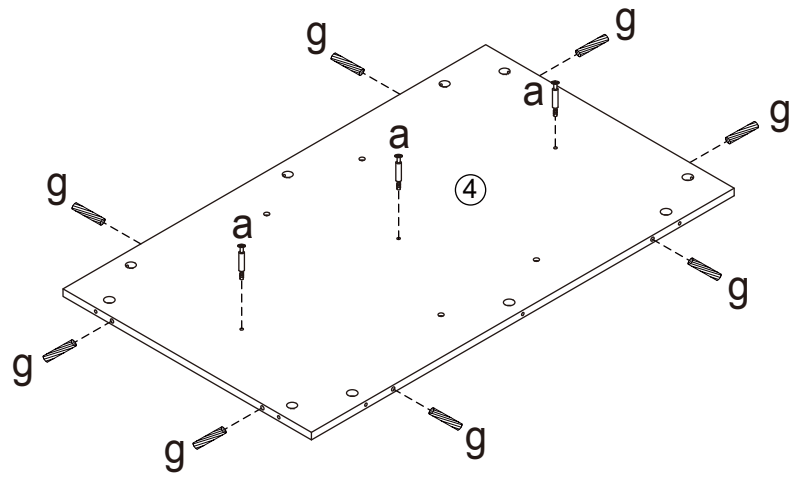
Option 2 : For right side facing, follow steps 23 to 44

DO NOT TIGHTEN THE SCREWS UNTIL THE PRODUCT IS FULLY ASSEMBLED.

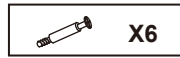
STEP 1



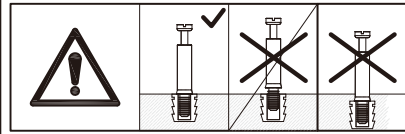
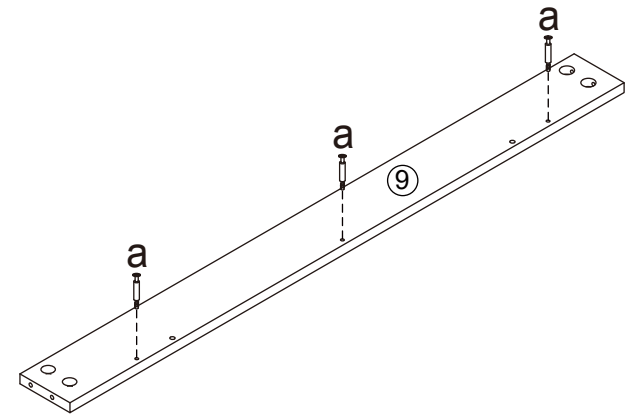
Option 1: Side opening in left hand.



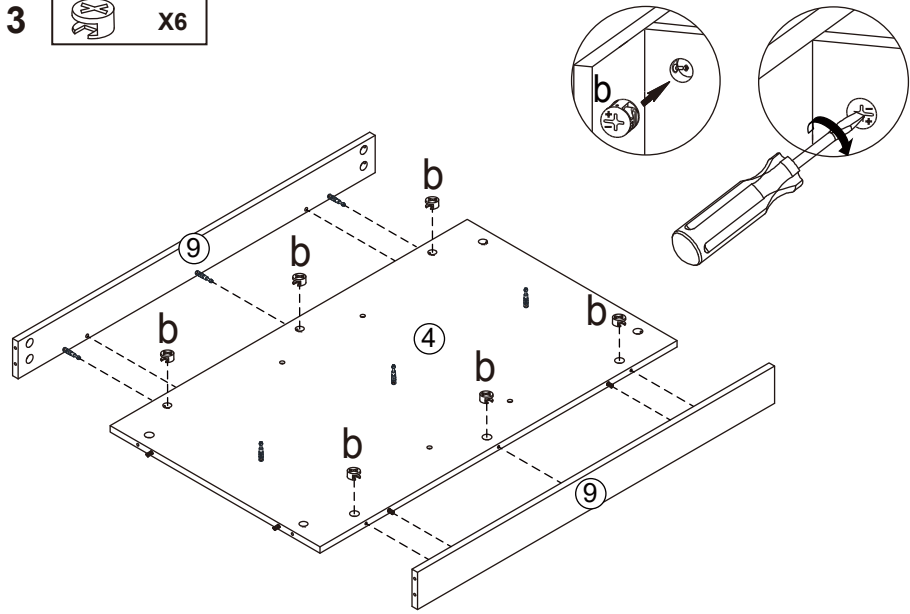
STEP 2



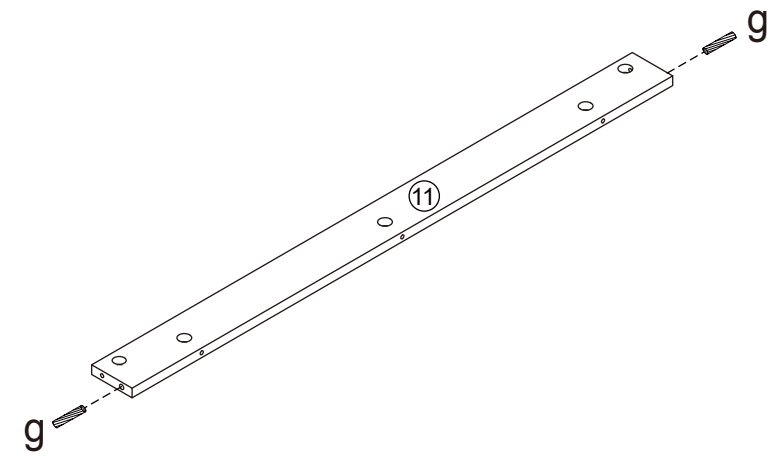
x 2



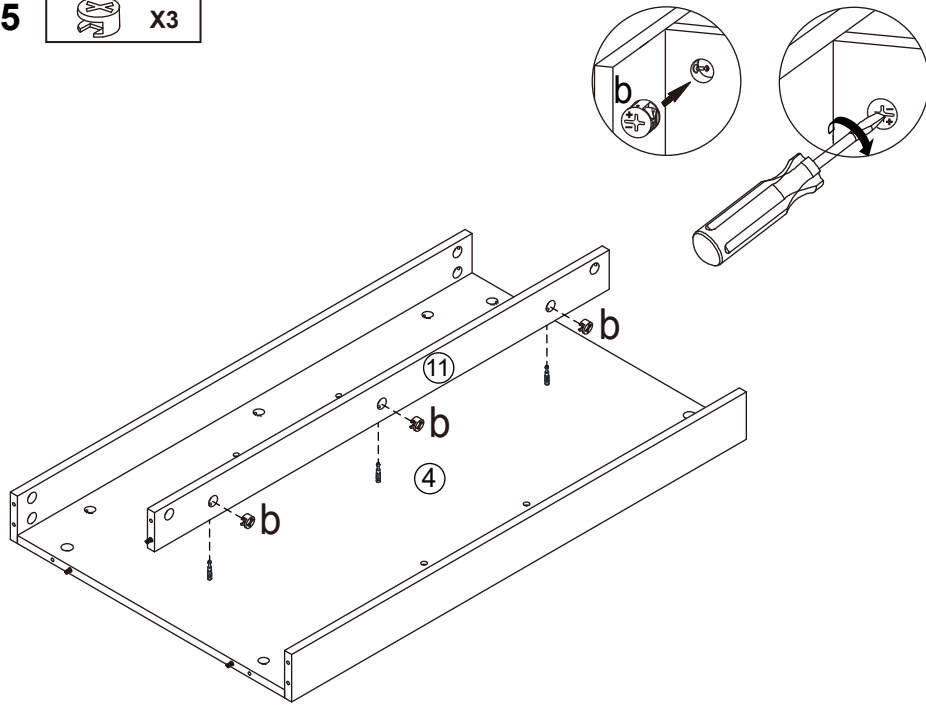
STEP 3



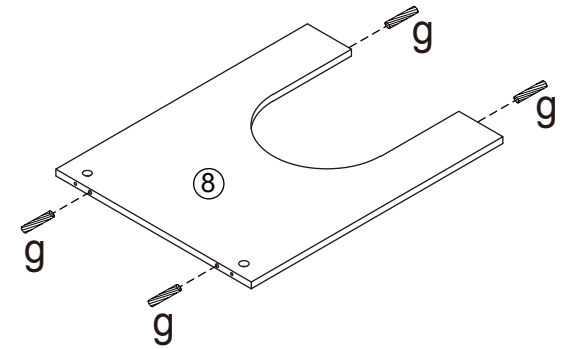
STEP 4



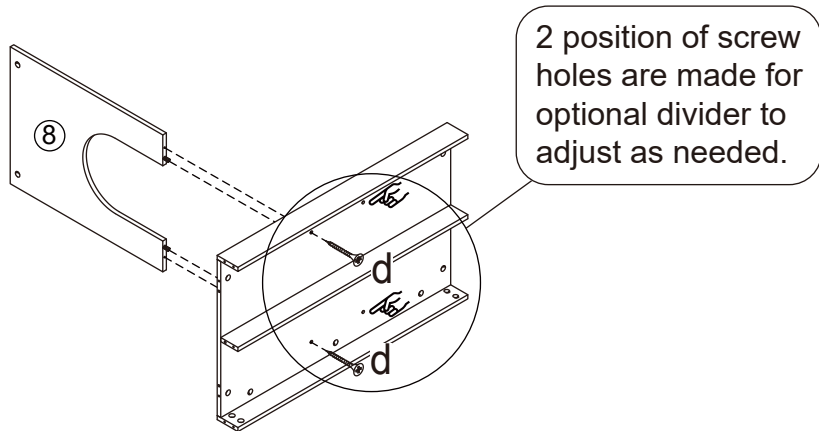
STEP 5  X3


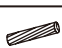


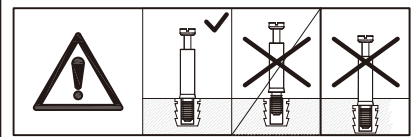
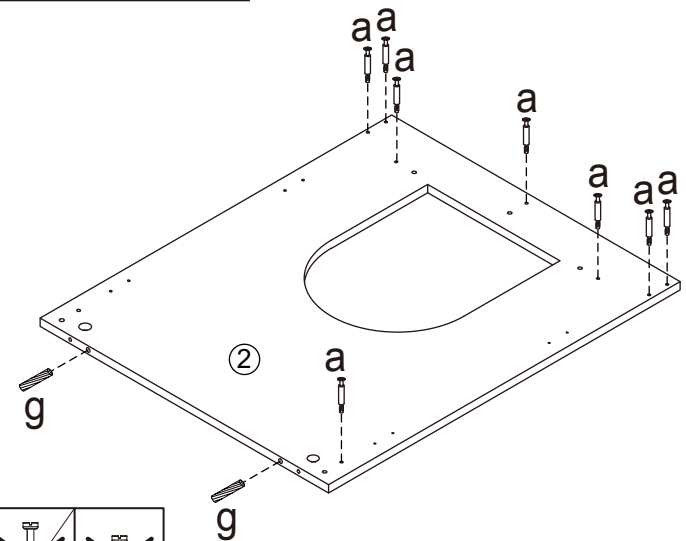
STEP 6  X4



STEP 7  X2

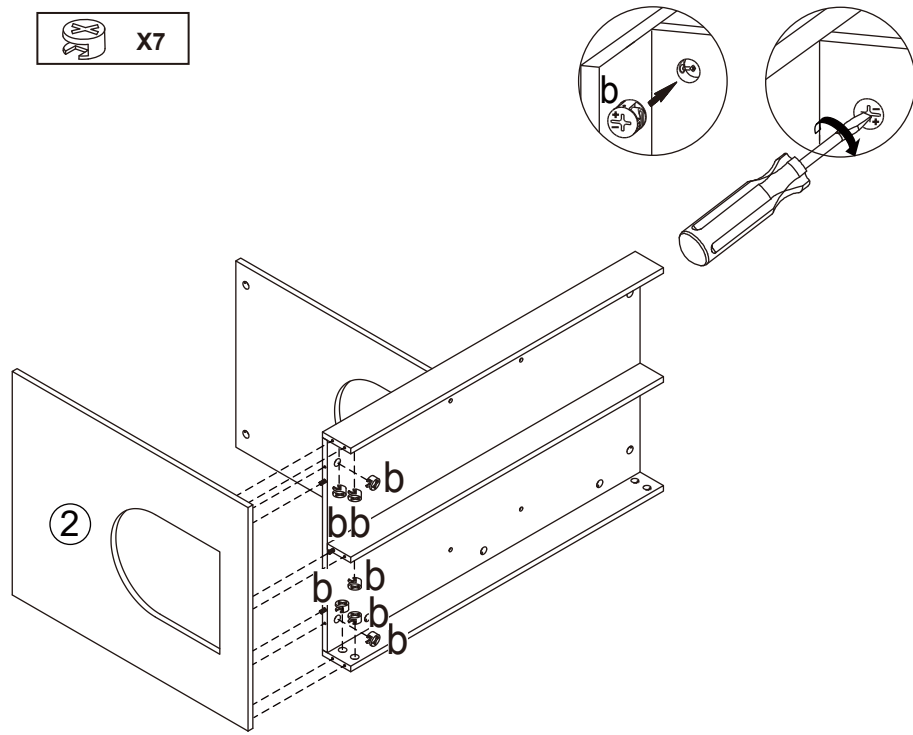


STEP 8  X8  X2



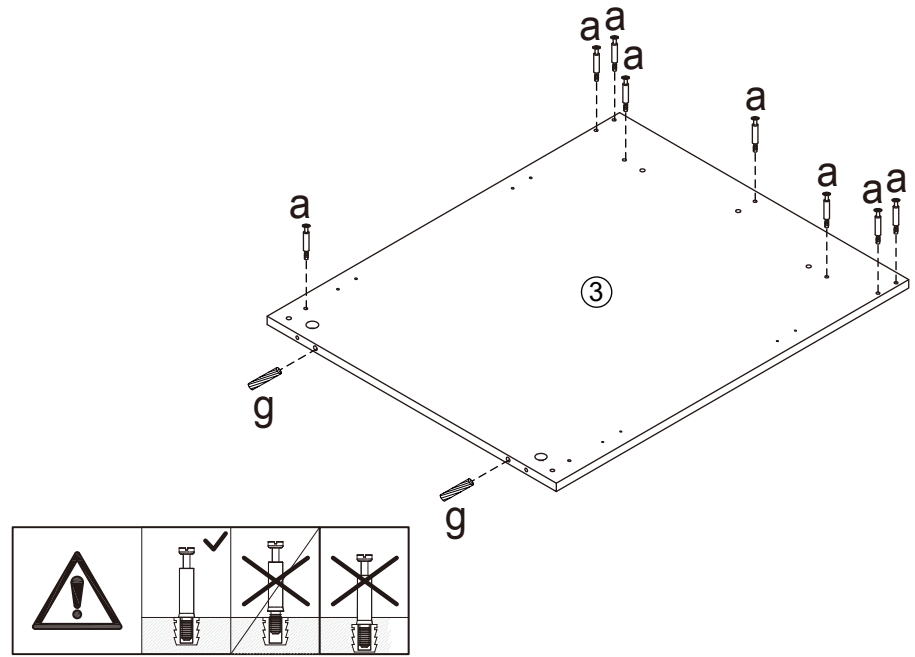
STEP 9

 X7

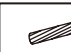



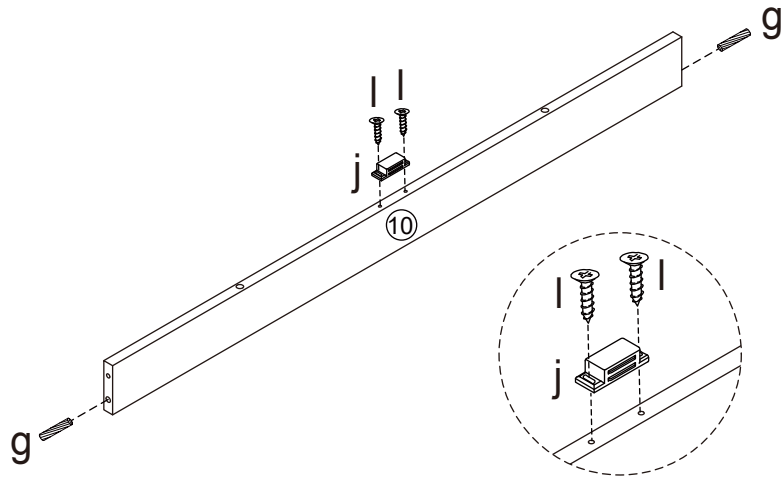
STEP 10

 X8  X2



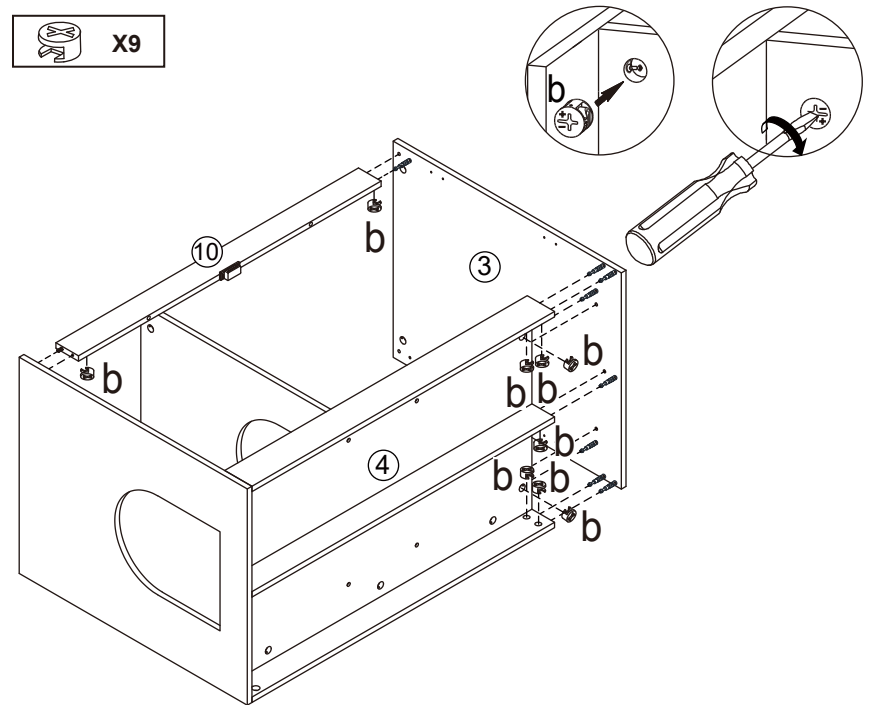
STEP 11

 X2  X1  X2



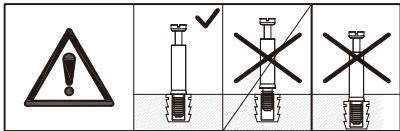
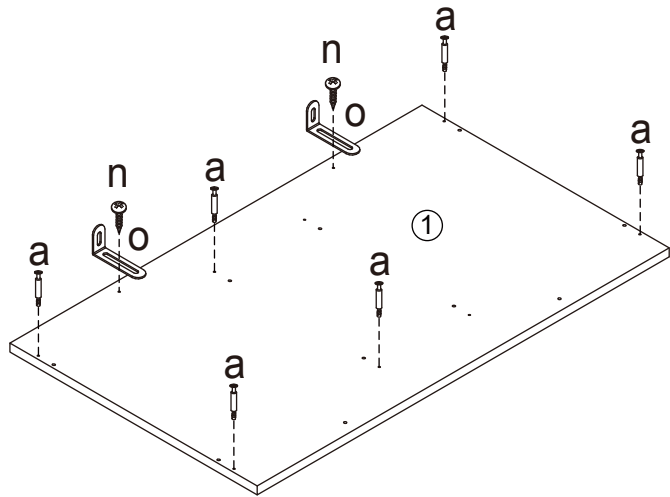
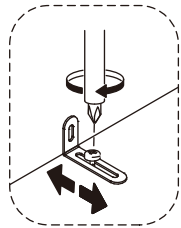
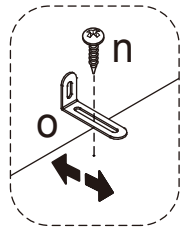
STEP 12

 X9



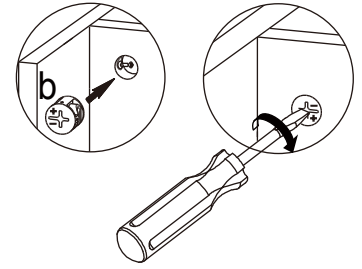
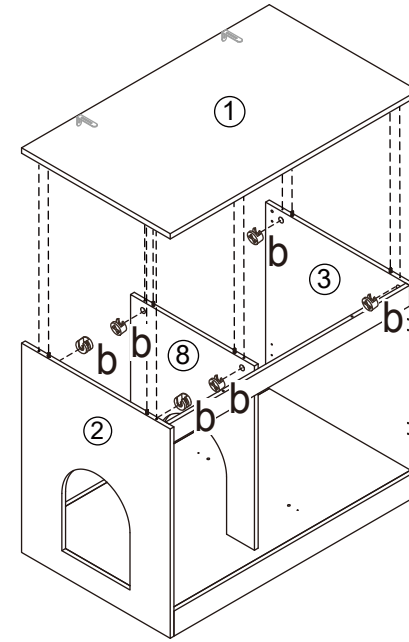
STEP 13

 X6  X2  X2

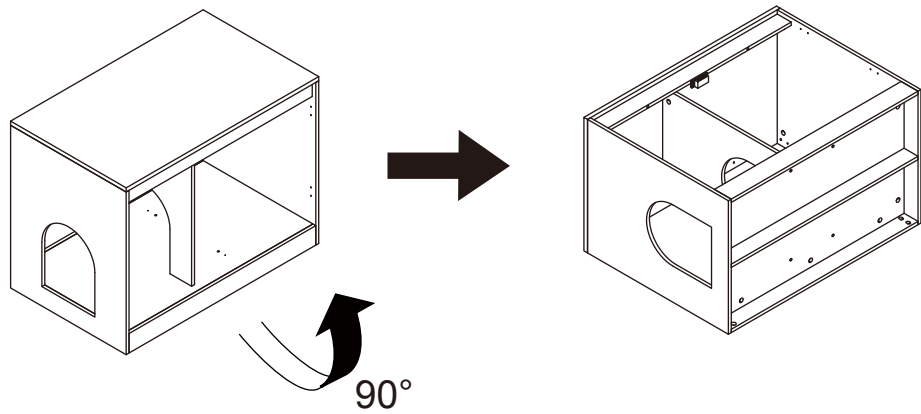


STEP 14

 X6

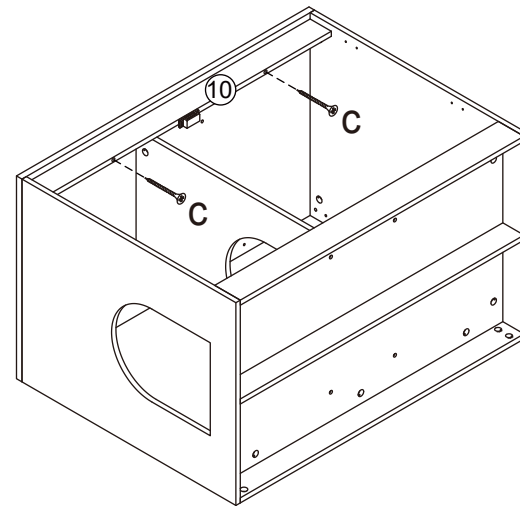


STEP 15

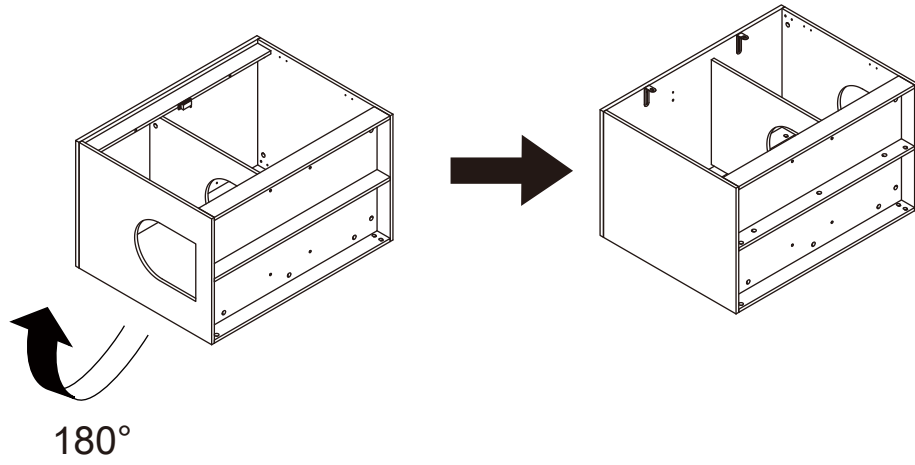


STEP 16

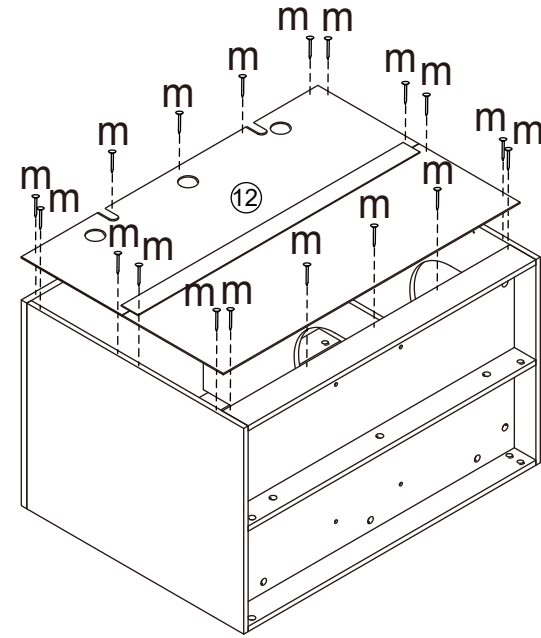
 X2



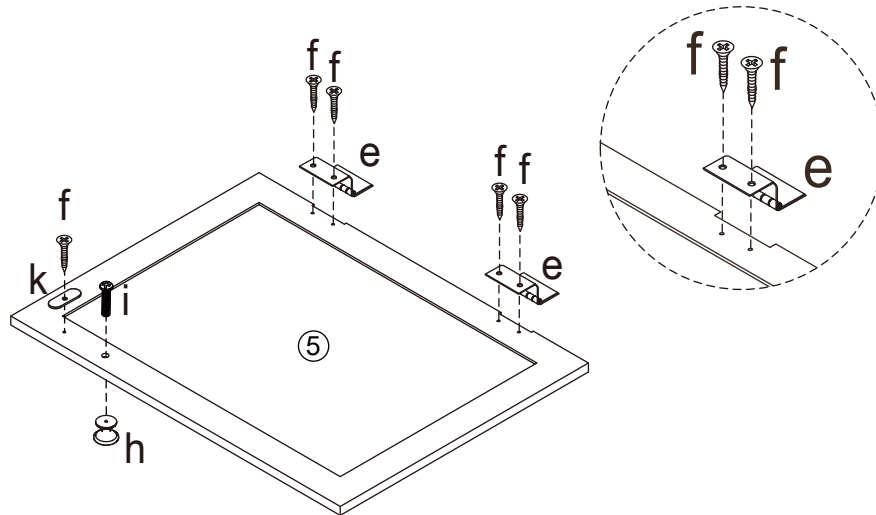
STEP 17



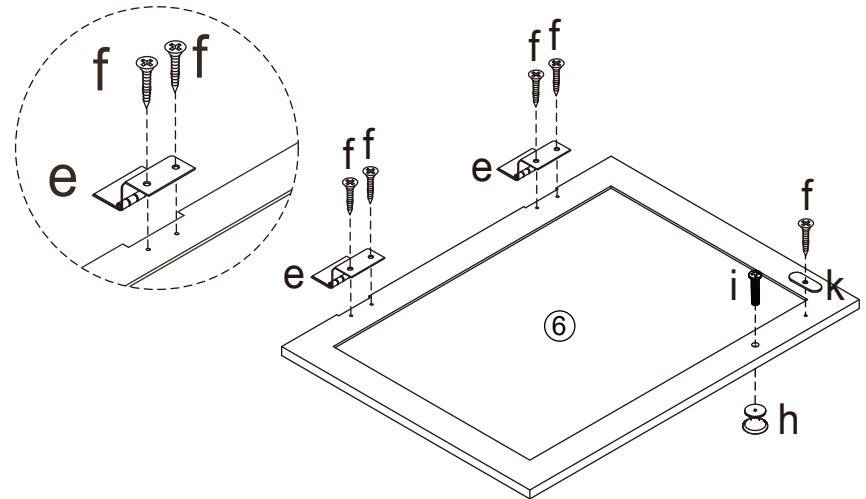
STEP 18  X18



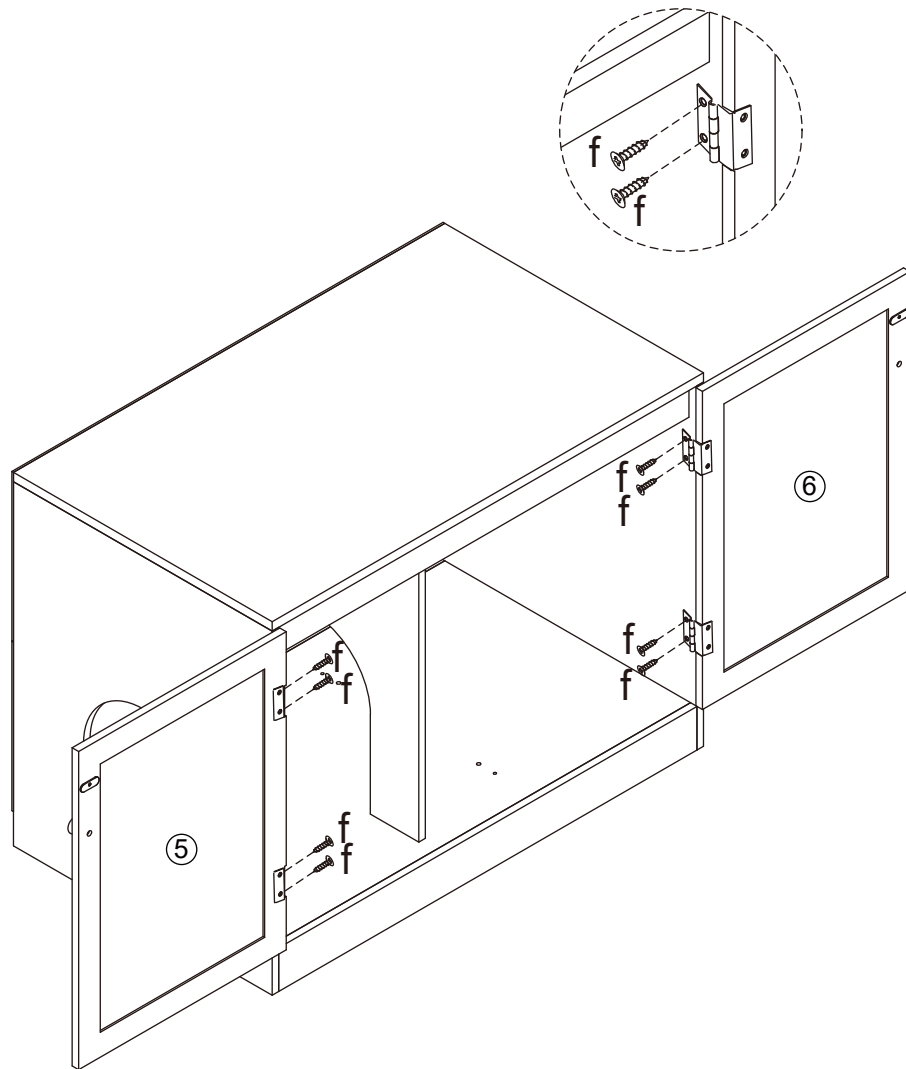
STEP 19  X2  X5  X1  X1  X1



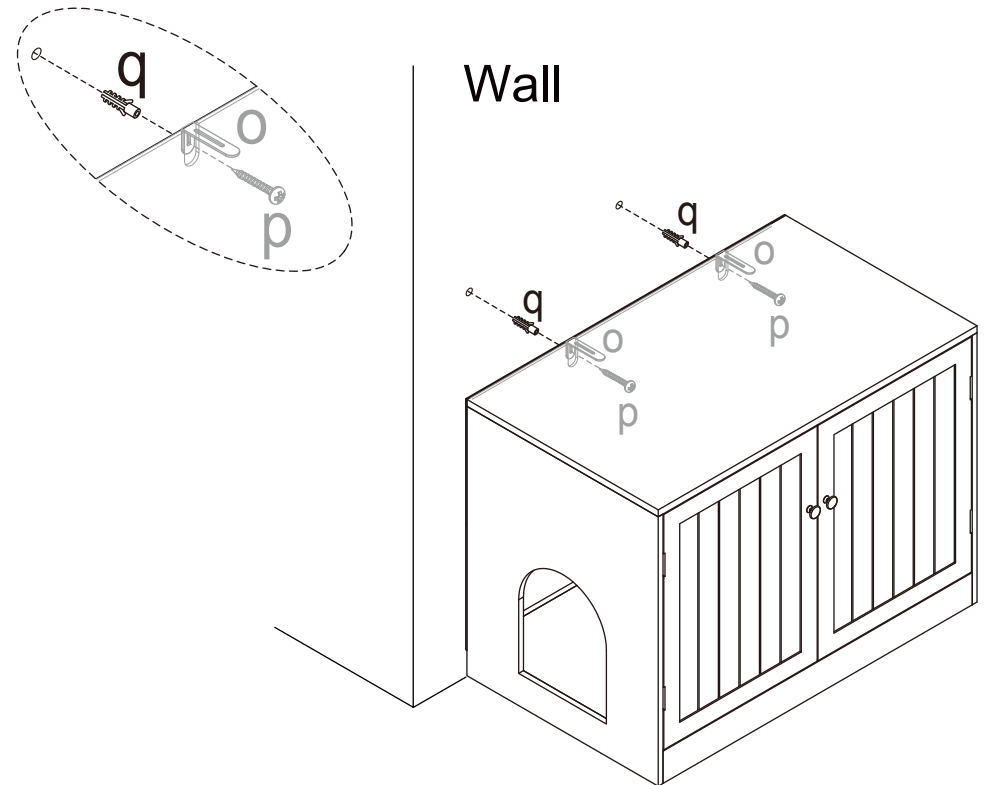
STEP 20  X2  X5  X1  X1  X1



STEP 21  X8



STEP 22  X2  X2



Warning:

- It is strongly recommended that this product is permanently fixed to the wall.
- Please seek professional advice if you are in doubt of what fixing device to use.
- Regularly check that anchors are securely maintained.
- Stability of tall items may be affected by thick pile carpet or uneven floors.
- Do not place unanchored televisions on cabinet.

Caution: for your safety when attaching the anchor fixings, please note the following:

- Check any electrical wires or plumbing inside the wall before drilling any holes (if you are unsure please seek professional advice from a qualified tradesperson).



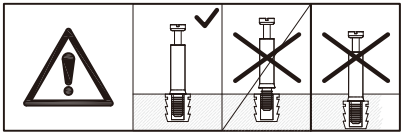
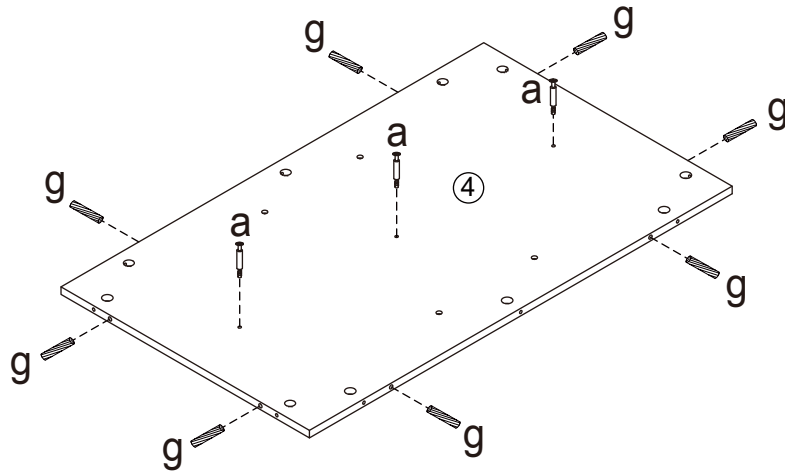
WARNING: PLEASE SECURE YOUR FURNITURE WITH THE SUPPLIED WALL FIXING. SCAN THE CODE FOR MORE INFORMATION.



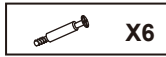
STEP 23



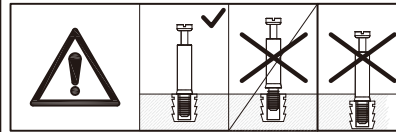
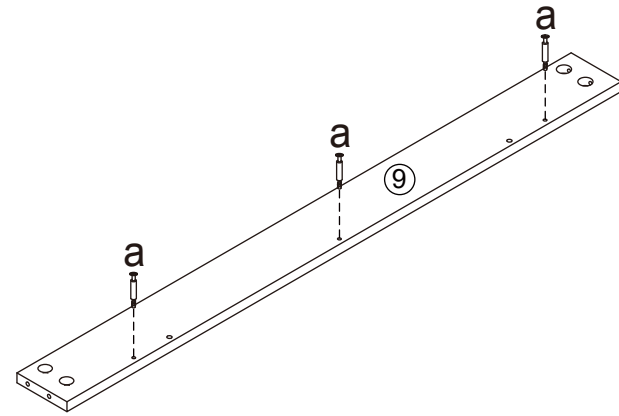
Option 2: Side opening in right hand.



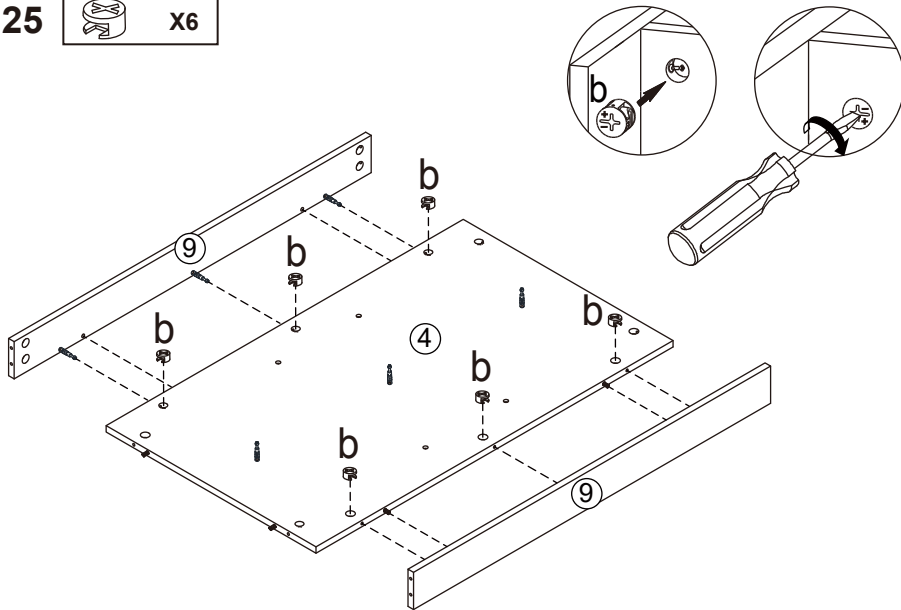
STEP 24



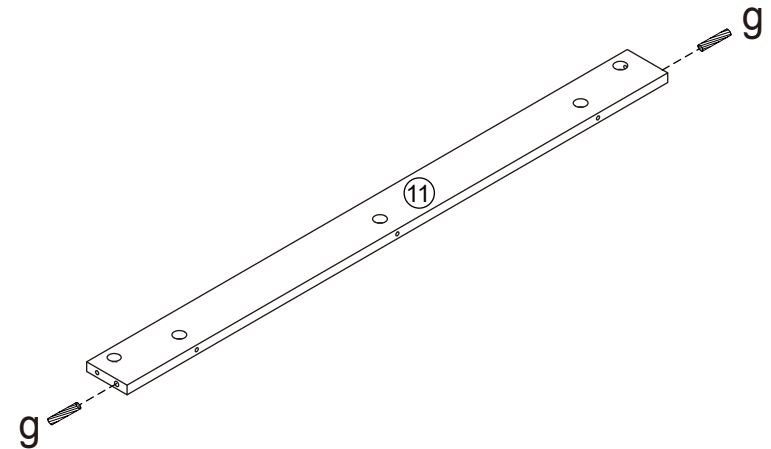
x 2



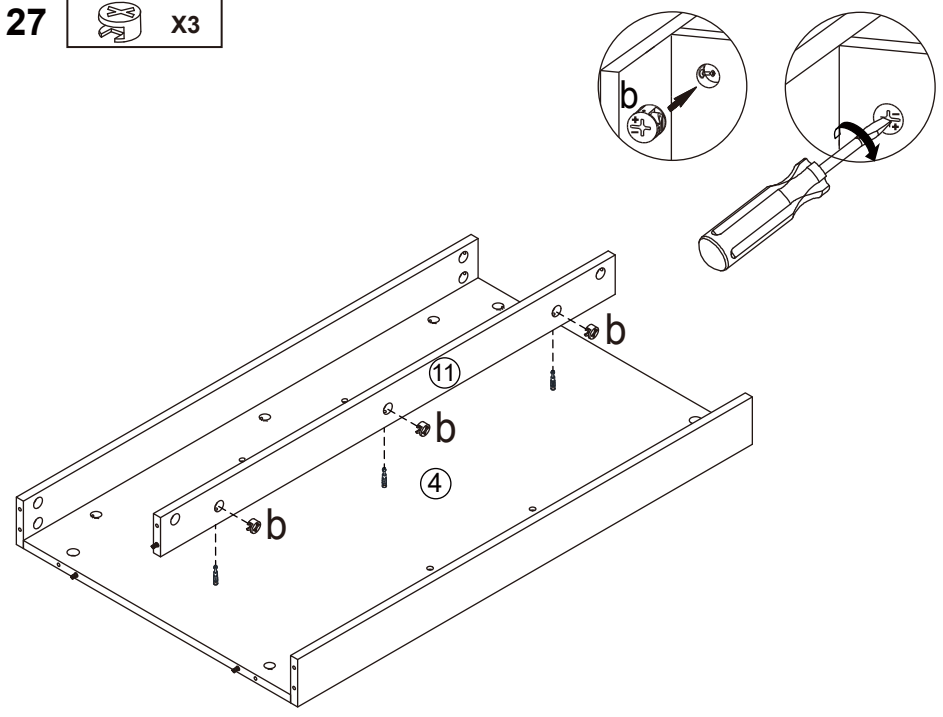
STEP 25



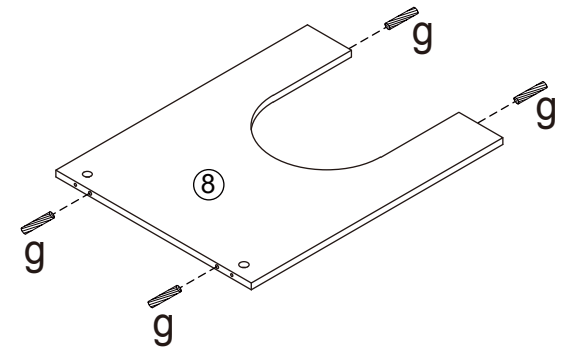
STEP 26



STEP 27  X3

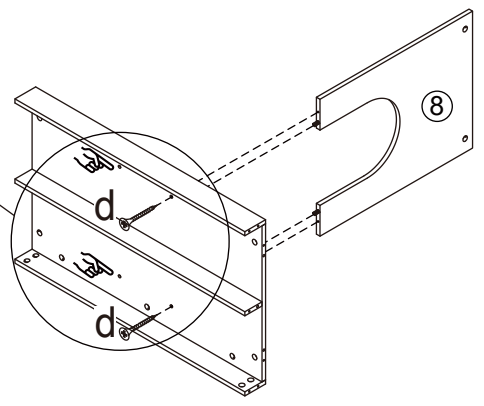


STEP 28  X4

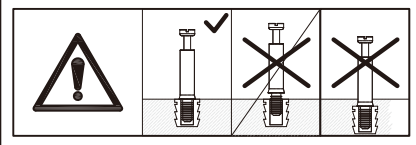
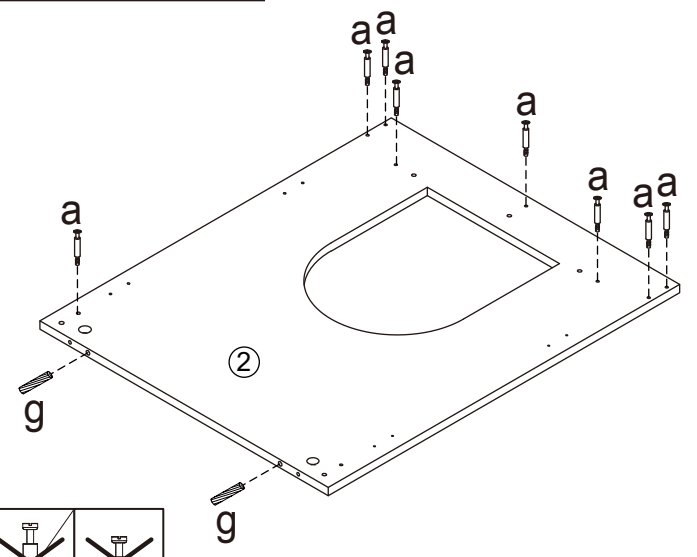


STEP 29  X2

2 position of screw holes are made for optional divider to adjust as needed.

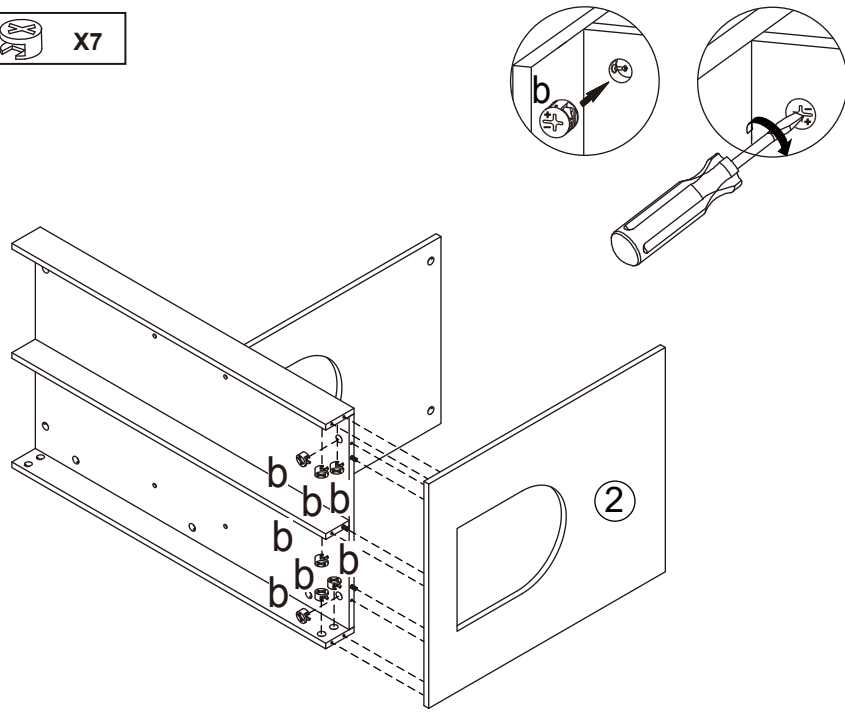


STEP 30  X8  X2





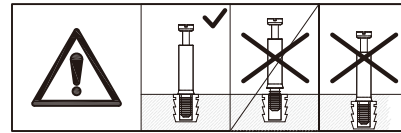
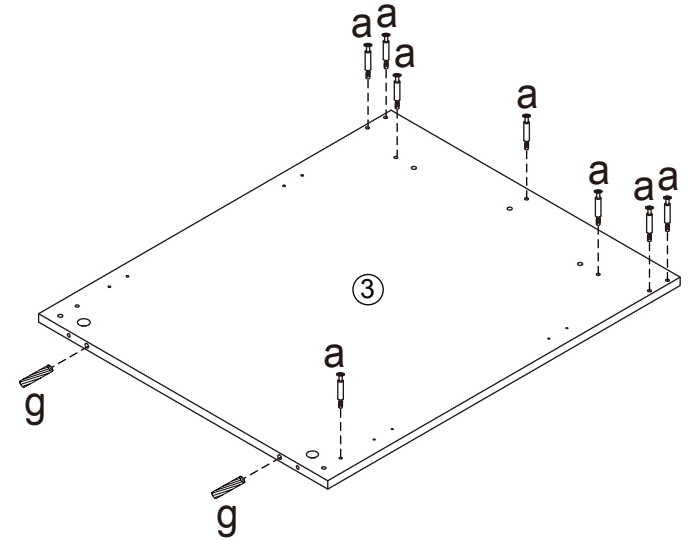
STEP 31

 X7






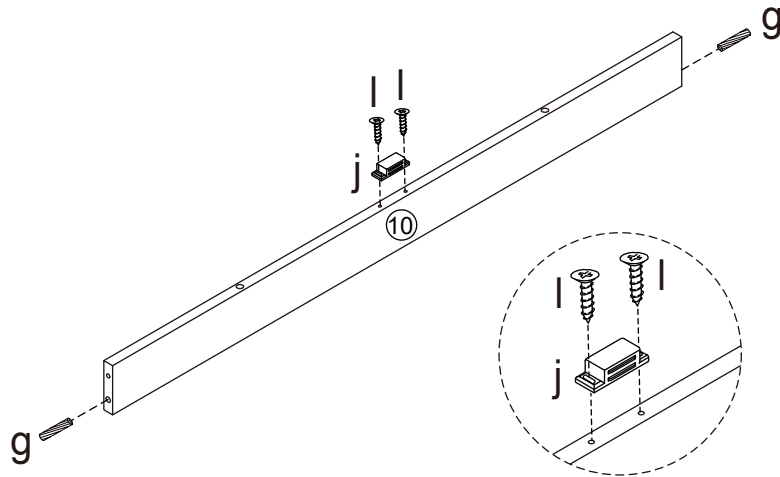
STEP 32

 X8  X2




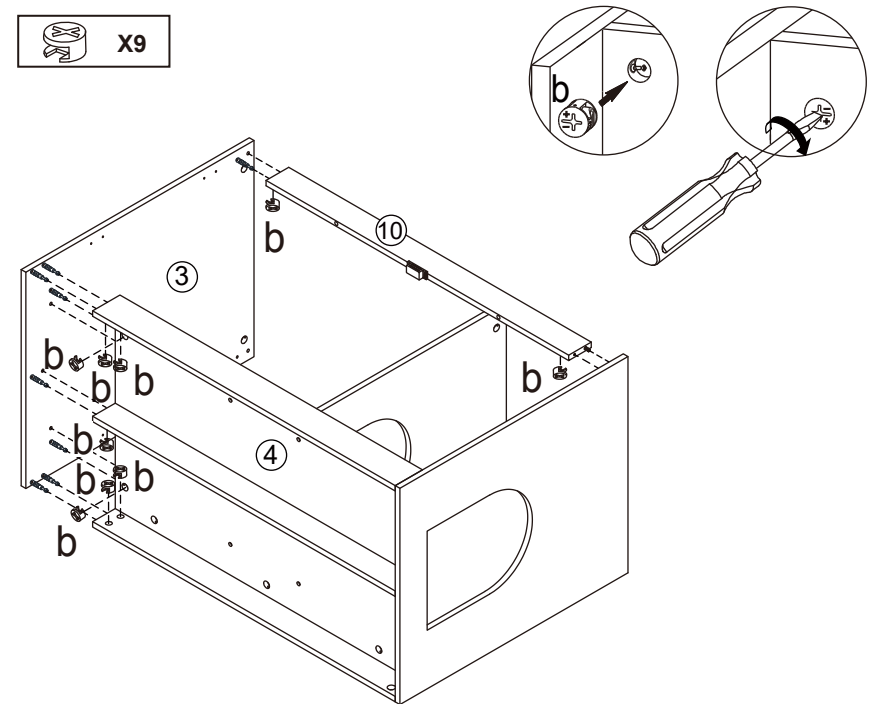
STEP 33

 X2  X1  X2



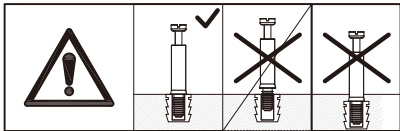
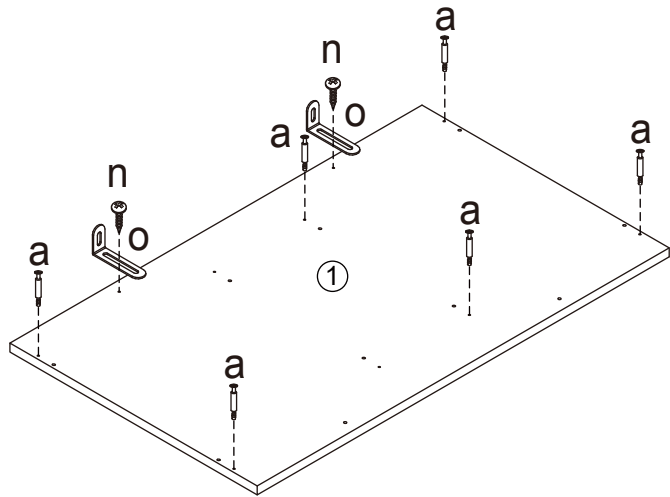
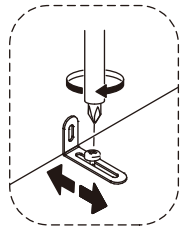
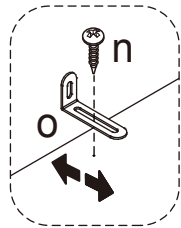
STEP 34

 X9



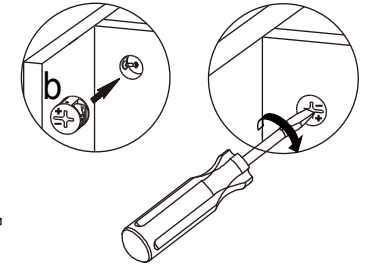
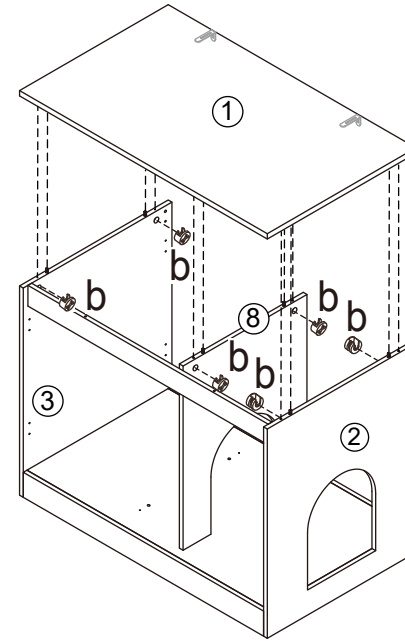
STEP 35

 X6  X2  X2

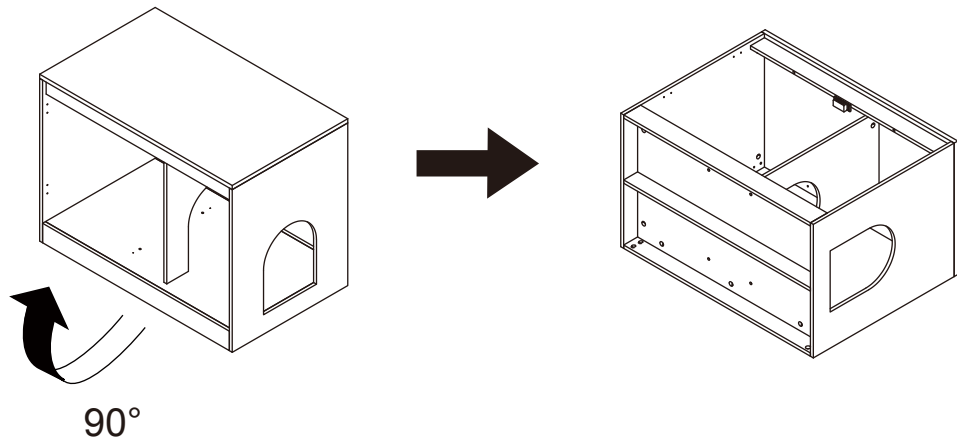


STEP 36

 X6

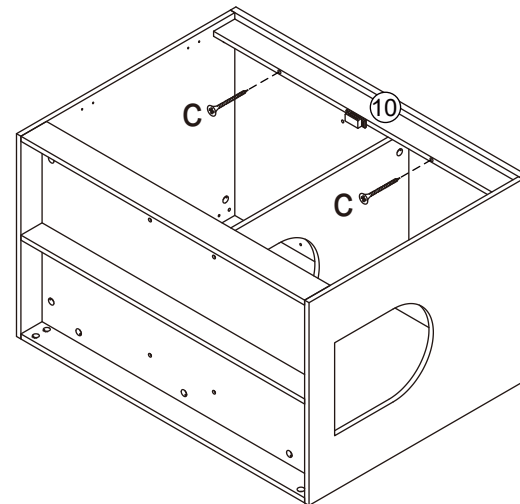


STEP 37

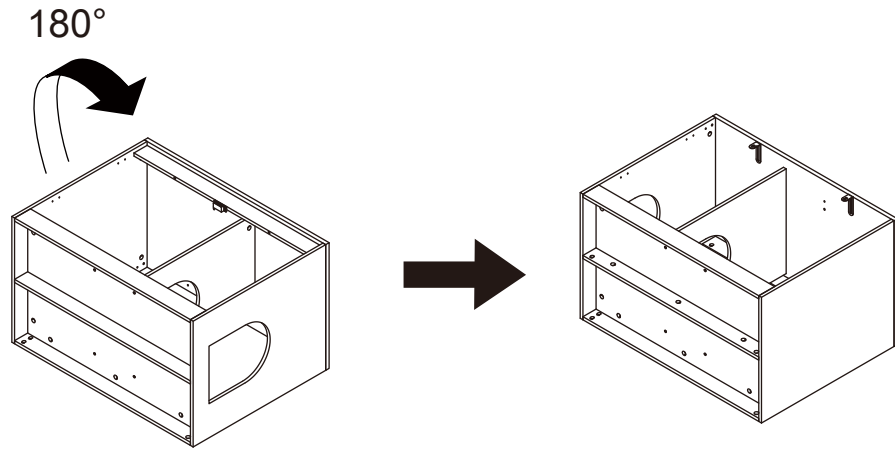


STEP 38

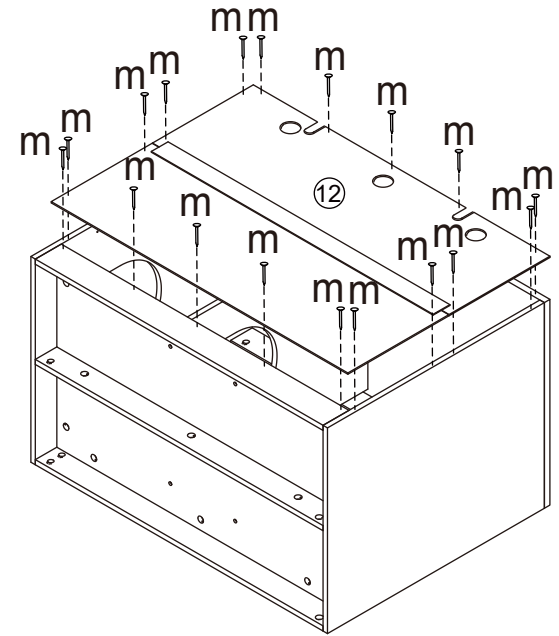
 X2



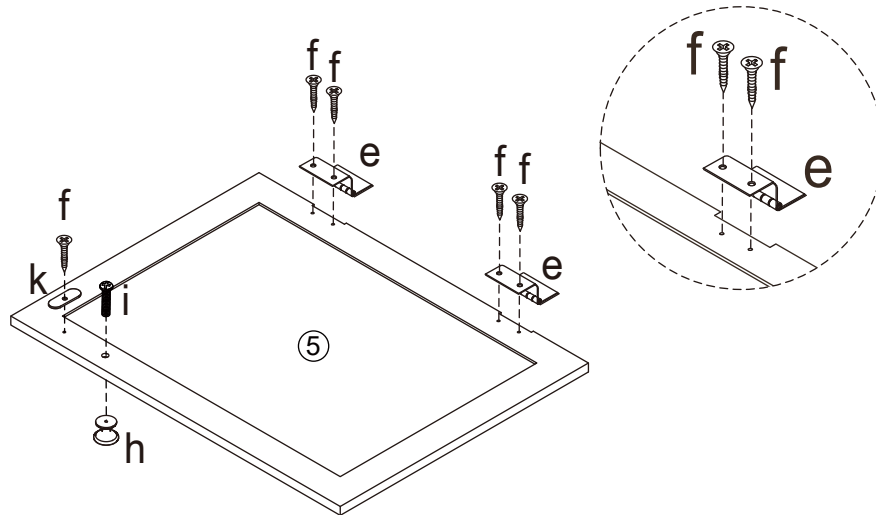
STEP 39



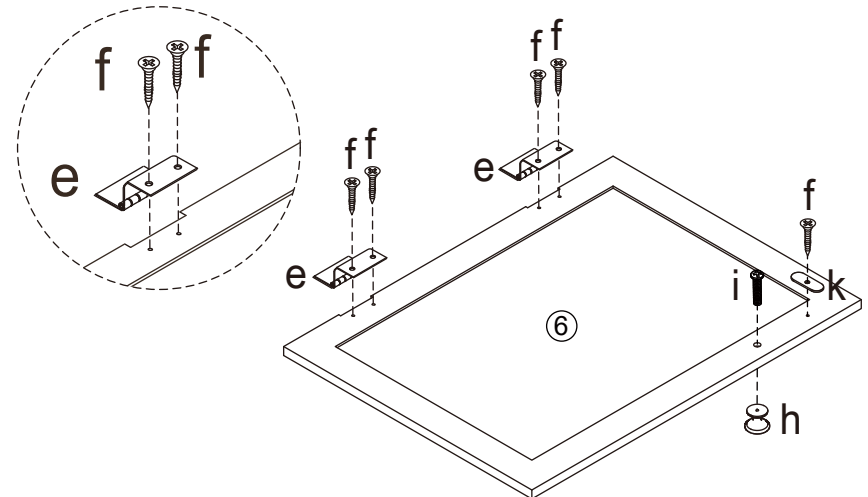
STEP 40



STEP 41

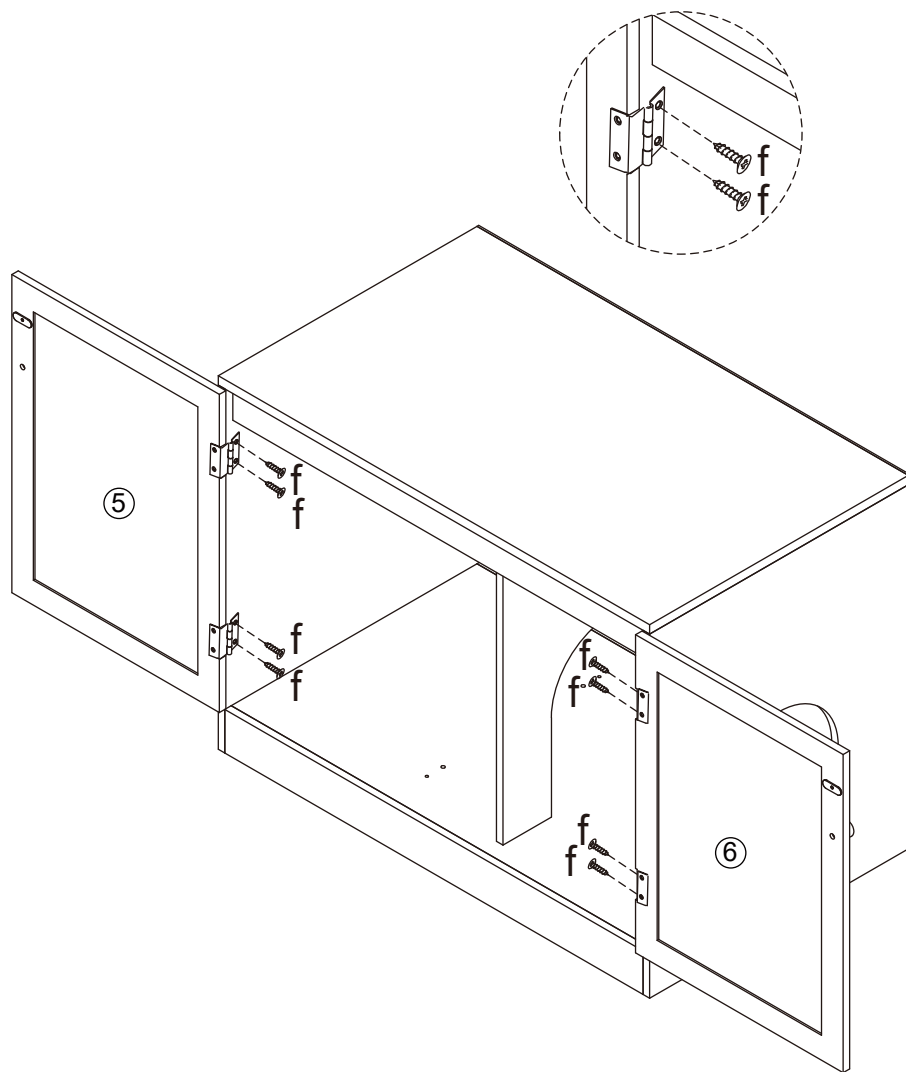


STEP 42



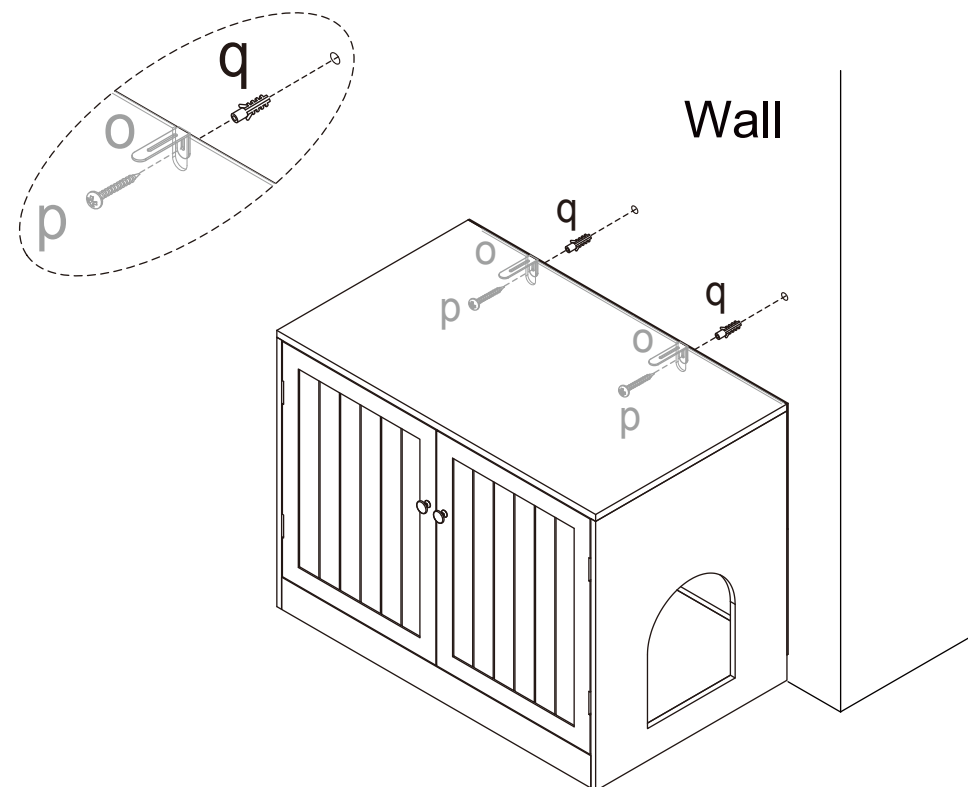
STEP 43

 X8



STEP 44

 X2  X2



Warning:

- It is strongly recommended that this product is permanently fixed to the wall.
- Please seek professional advice if you are in doubt of what fixing device to use.
- Regularly check that anchors are securely maintained.
- Stability of tall items may be affected by thick pile carpet or uneven floors.
- Do not place unanchored televisions on cabinet.

Caution: for your safety when attaching the anchor fixings, please note the following:

- Check any electrical wires or plumbing inside the wall before drilling any holes (if you are unsure please seek professional advice from a qualified tradesperson).



WARNING: PLEASE SECURE
YOUR FURNITURE WITH
THE SUPPLIED WALL FIXING.
SCAN THE CODE FOR
MORE INFORMATION.

