

Assembly Instructions

43333561 LYN BEDSIDE TABLE



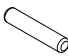

WARNING: DO NOT STAND, SIT OR LEAN ON THIS UNIT. DO NOT USE THIS UNIT AS A STEP LADDER OR AS A CHOPPING SURFACE. KEEP AWAY FROM CHILDREN AND BABIES. ADULT ASSEMBLY REQUIRED. USE ONLY ON A FLAT SURFACE. DO NOT USE THIS UNIT UNLESS ALL BOLTS AND SCREWS ARE FIRMLY SECURED.



CARE INSTRUCTIONS: TO BE ASSEMBLED ON A CLEAN, DRY AND SMOOTH SURFACE. WIPE CLEAN WITH A SOFT DAMP CLOTH. NEVER USE SCOURERS, ABRASIVES OR CHEMICAL SOLVENTS. CHECK AND TIGHTEN ALL PARTS REGULARLY. KEEP AWAY FROM MOISTURE AND DIRECT SUNLIGHT. STORE IN A DRY PLACE. FOR INDOOR AND DOMESTIC USE ONLY.

MAXIMUM SAFE LOAD: top board:10kg, drawer:5kg, shelf: 5kg.

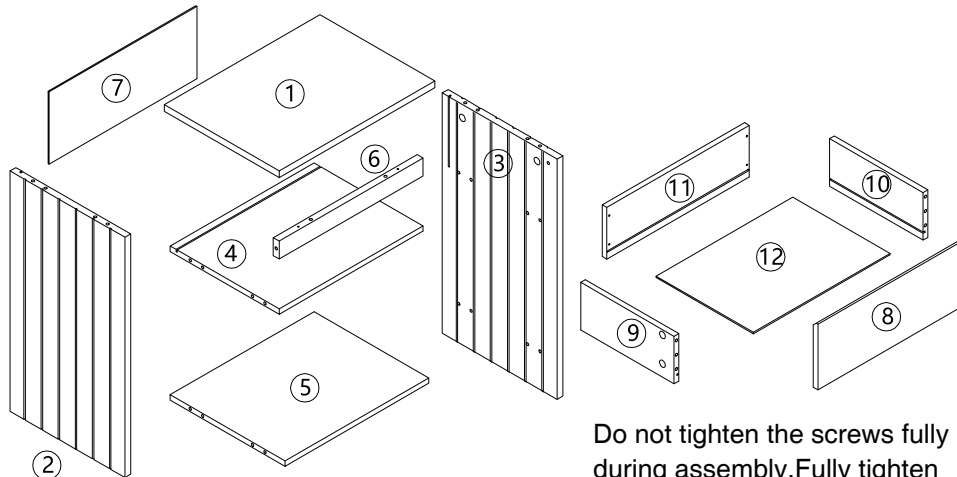
①

Hardware List

	A	M6x35mm	16pcs
	B	M15x9.5mm	16pcs
	C	M6x30mm	18pcs
	D	M4x35mm	6pcs

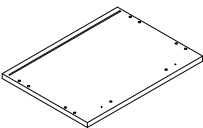
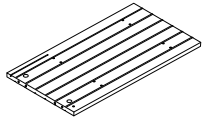
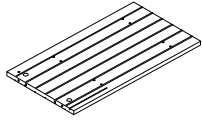
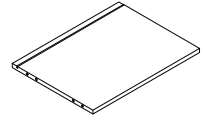
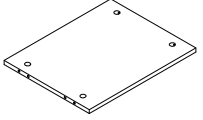
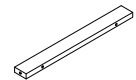
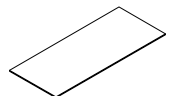
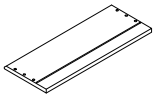
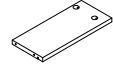
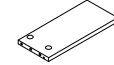
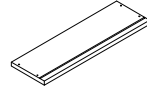
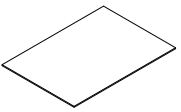
	F		4pcs
	G	M3x16mm	4pcs

②



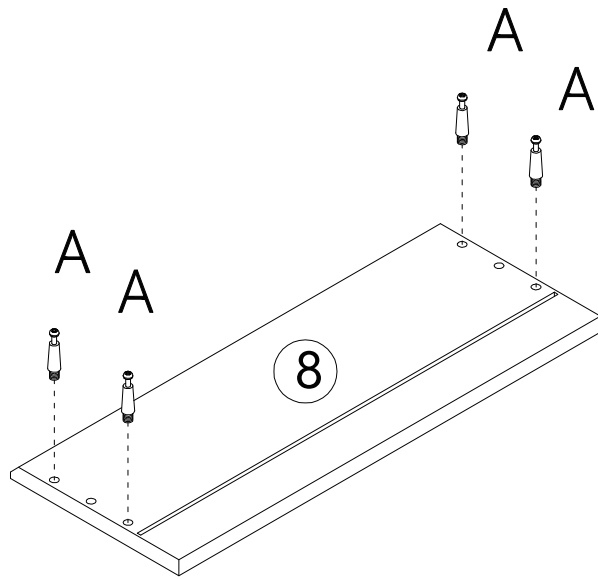
Do not tighten the screws fully during assembly. Fully tighten screws after the final assembly steps.

③

	①	1PC		②	1PC		③	1PC		④	1PC
	⑤	1PC		⑥	1PC		⑦	1PC		⑧	1PC
	⑨	1PC		⑩	1PC		⑪	1PC		⑫	1PC

STEP 1:

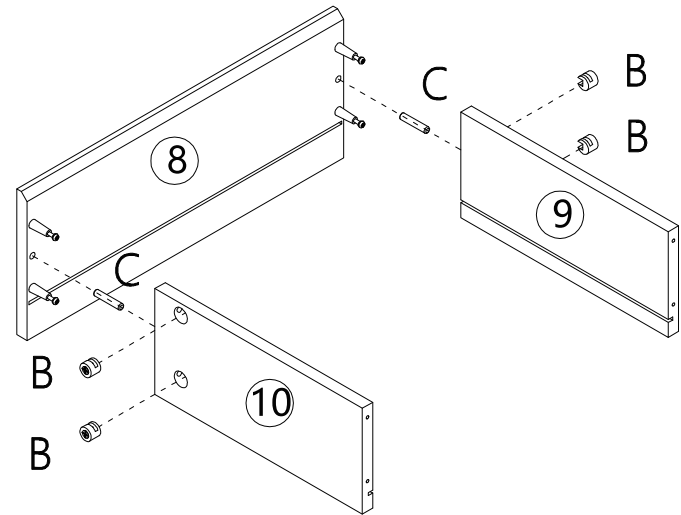
A x 4



Tool required
Phillips Head Screw Driver
(Not Provided)

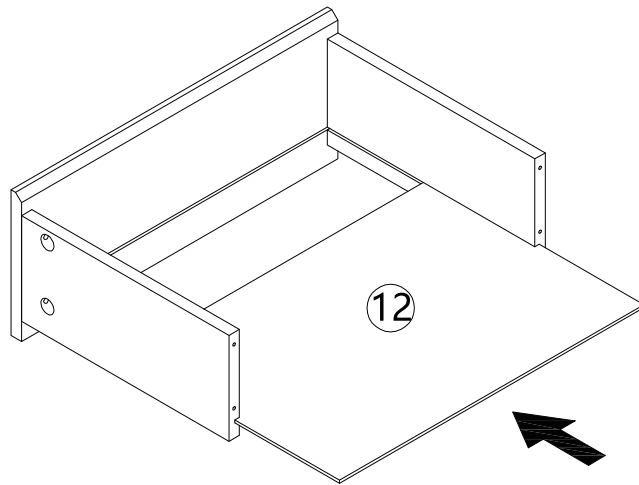
STEP 2:

B x 4
C x 2



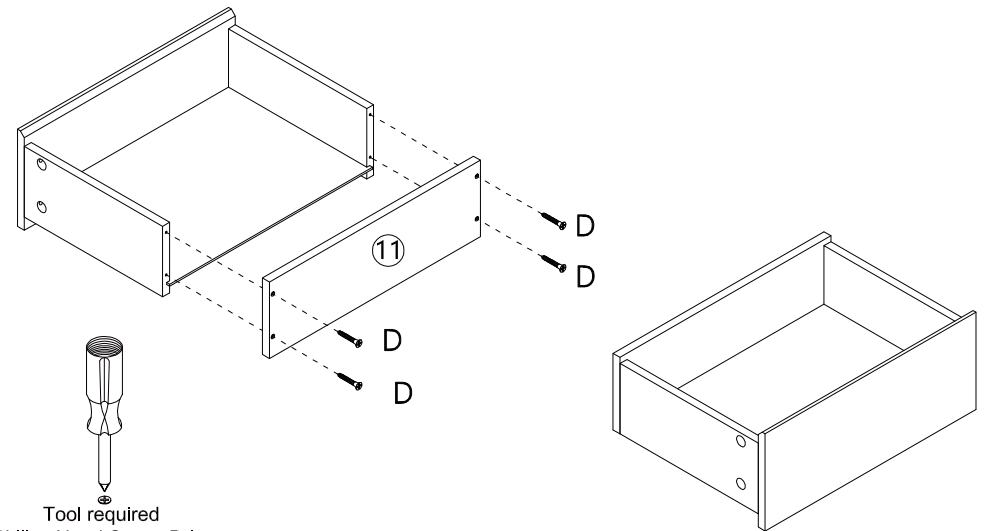
Tool required
Phillips Head Screw Driver
(Not Provided)

STEP 3:



STEP 4:

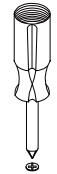
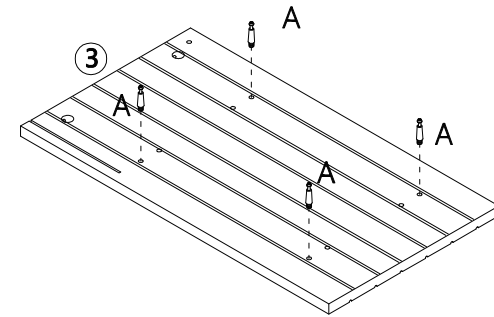
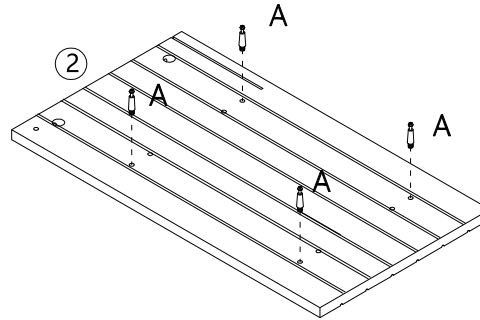
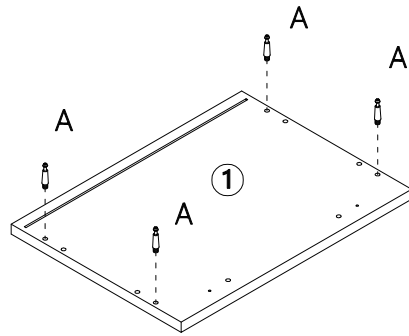
D x 4



Tool required
Phillips Head Screw Driver
(Not Provided)



STEP 5:

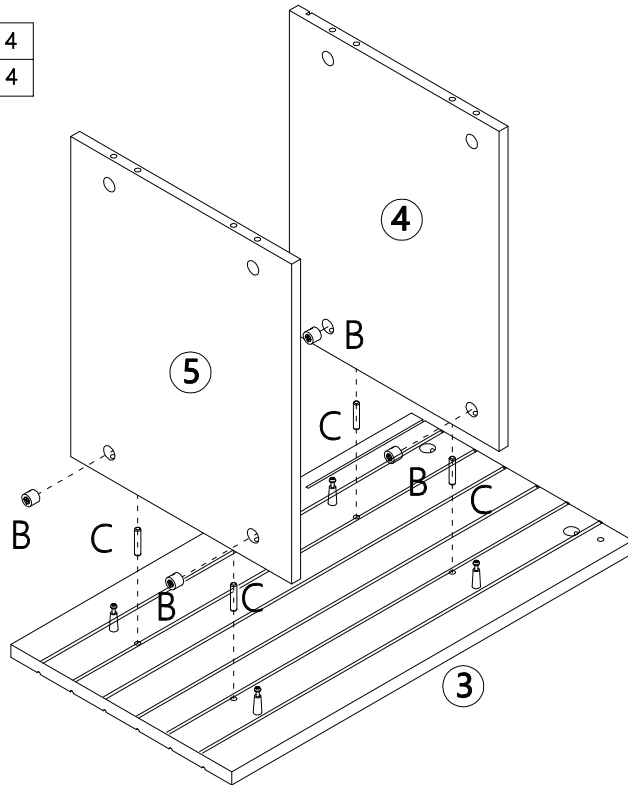
 A x 12



Tool required
Philips Head Screw Driver
(Not Provided)

STEP 6:

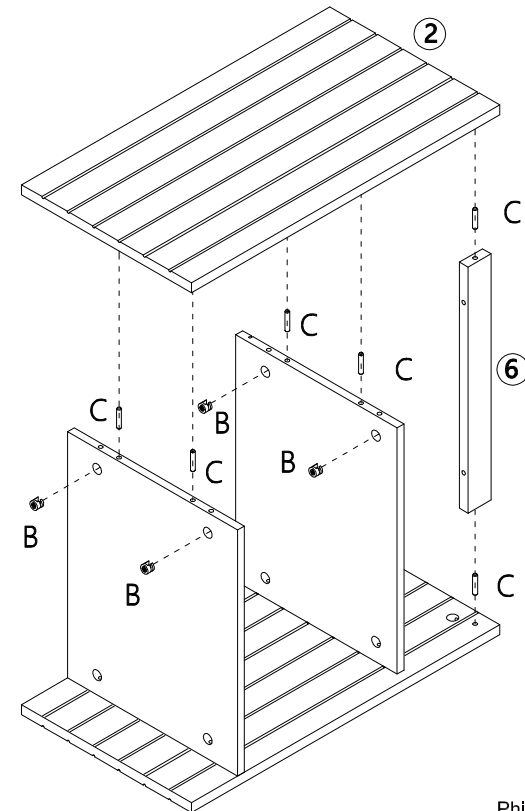
 B x 4
 C x 4



Tool required
Philips Head Screw Driver
(Not Provided)

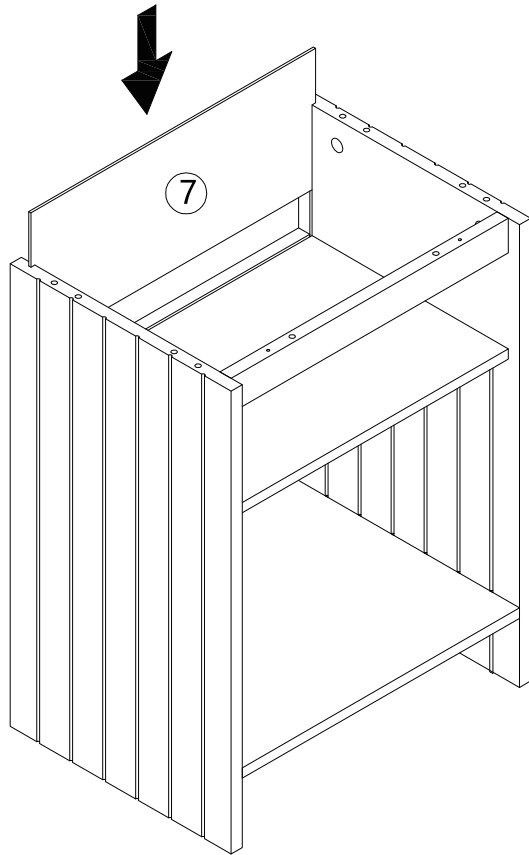
STEP 7:

 B x 4
 C x 6






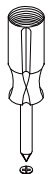
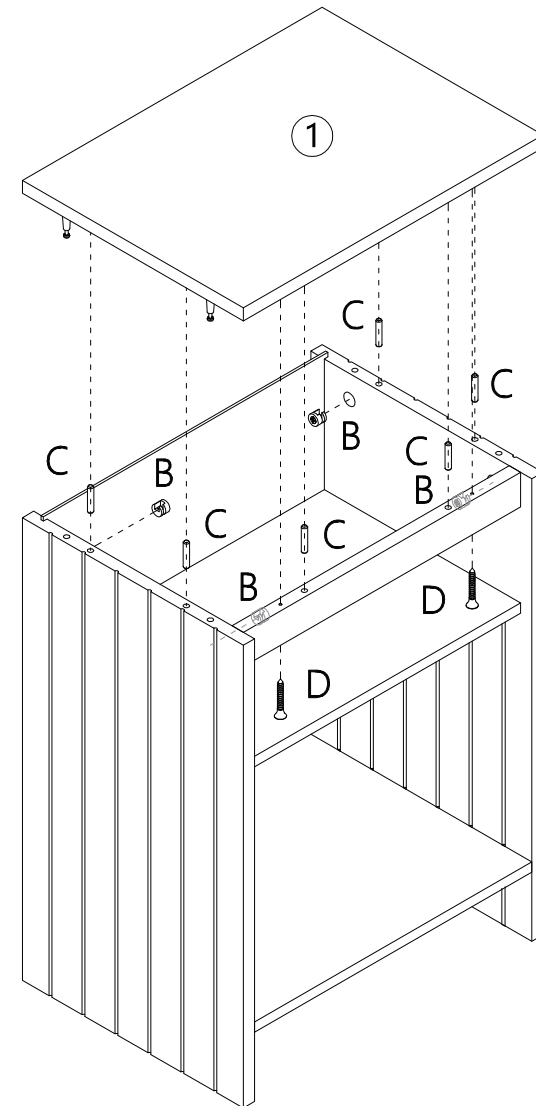
Tool required
Philips Head Screw Driver
(Not Provided)

STEP 8:



STEP 9:

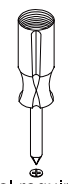
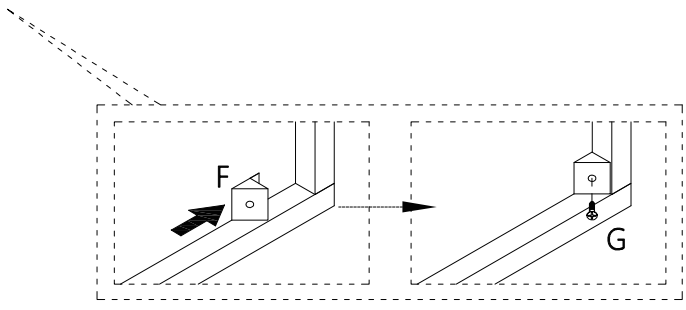
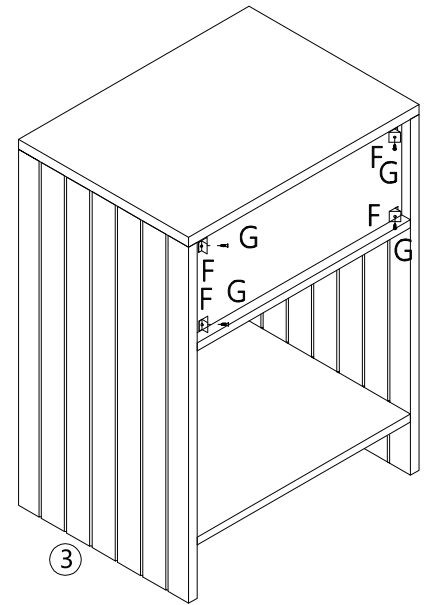
-  B x 4
-  C x 6
-  D x 2



Tool required
Philips Head Screw Driver
(Not Provided)

STEP 10:

-  F x 4
-  G x 4



Tool required
Phillips Head Screw Driver
(Not Provided)

STEP 11:

