

Assembly Instructions

43332847 LYN SIDE TABLE


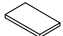


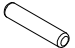

WARNING: DO NOT STAND, SIT OR LEAN ON THIS UNIT. DO NOT USE THIS UNIT AS A STEP LADDER OR AS A CHOPPING SURFACE. KEEP AWAY FROM CHILDREN AND BABIES. ADULT ASSEMBLY REQUIRED. USE ONLY ON A FLAT SURFACE. DO NOT USE THIS UNIT UNLESS ALL BOLTS AND SCREWS ARE FIRMLY SECURED.

CARE INSTRUCTIONS: TO BE ASSEMBLED ON A CLEAN, DRY AND SMOOTH SURFACE. WIPE CLEAN WITH A SOFT DAMP CLOTH. NEVER USE SCOURERS, ABRASIVES OR CHEMICAL SOLVENTS. CHECK AND TIGHTEN ALL PARTS REGULARLY. KEEP AWAY FROM MOISTURE AND DIRECT SUNLIGHT. STORE IN A DRY PLACE. FOR INDOOR AND DOMESTIC USE ONLY.

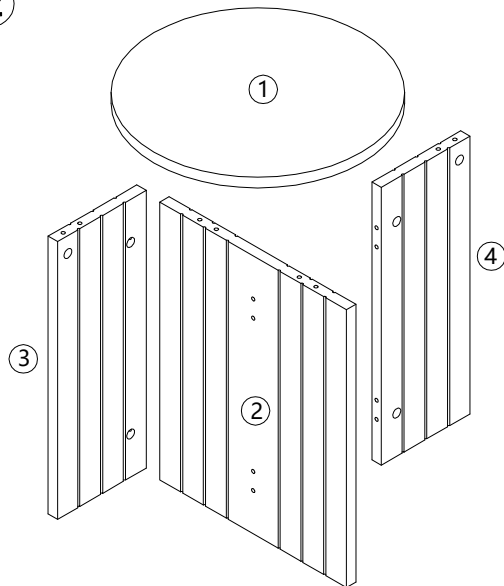
MAXIMUM SAFE LOAD: 5kg.

①

Hardware List

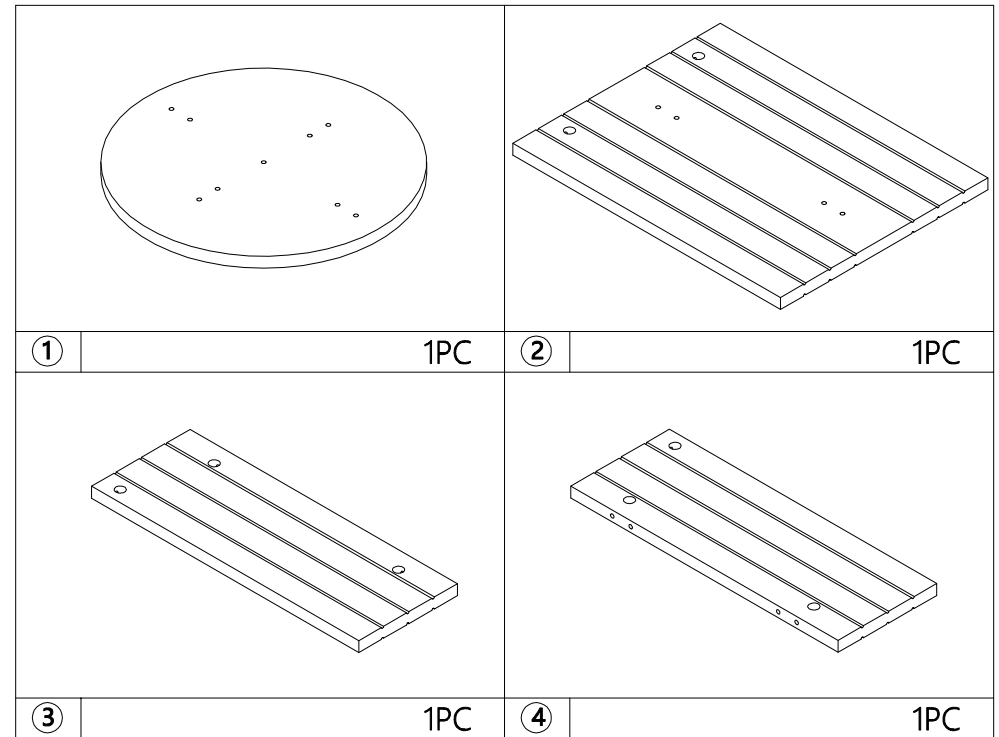
	A	M6x35mm	8pcs		D		4pcs
	B	M15x9.5mm	8pcs		E	M6x50mm	2pcs
	C	M6x30mm	4pcs		F		8pcs

②



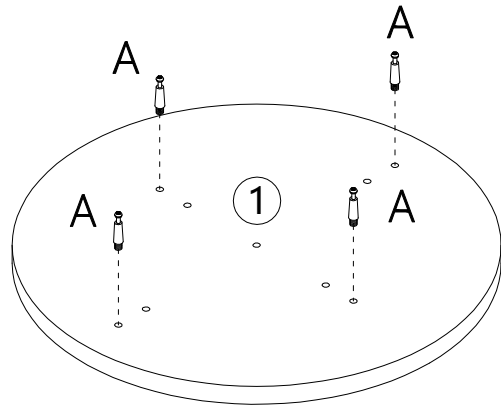
Do not tighten the screws fully during assembly. Fully tighten screws after the final assembly steps.

③



STEP 1:

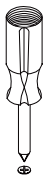
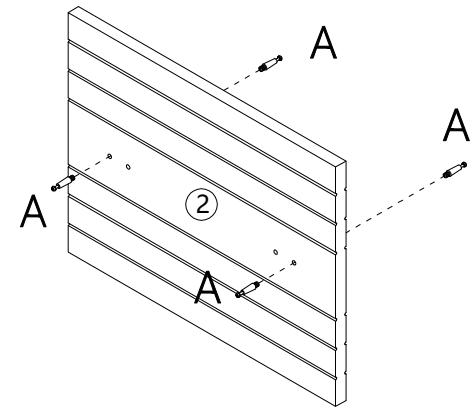
 A x 4



Tool required
Philips Head Screw Driver
(Not Provided)

STEP 2:

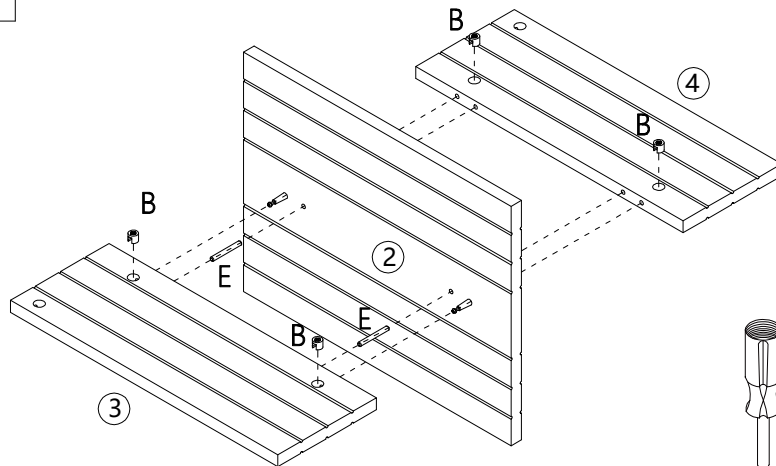
 A x 4



Tool required
Philips Head Screw Driver
(Not Provided)

STEP 3:

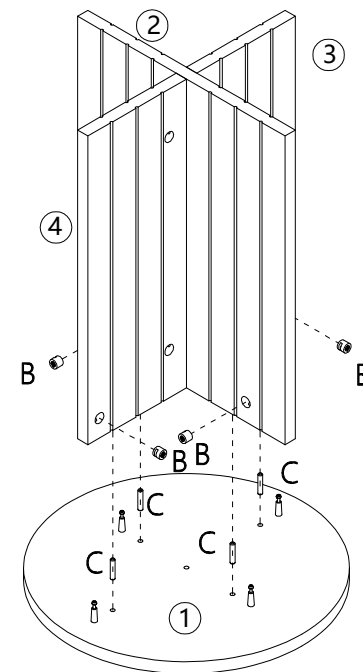
 B x 4
 E x 2



Tool required
Philips Head Screw Driver
(Not Provided)



STEP 4:

 B x 4
 C x 4



Tool required
Philips Head Screw Driver
(Not Provided)

STEP 5:

-  Dx4
-  Fx8

