

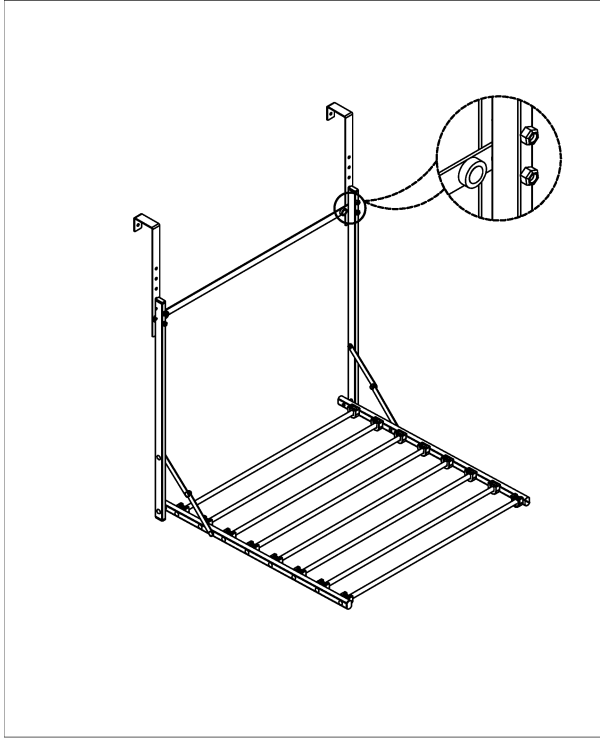
Assembly Instructions

BEHIND DOOR AIRER

K:43-332-236 | T:68-774-851

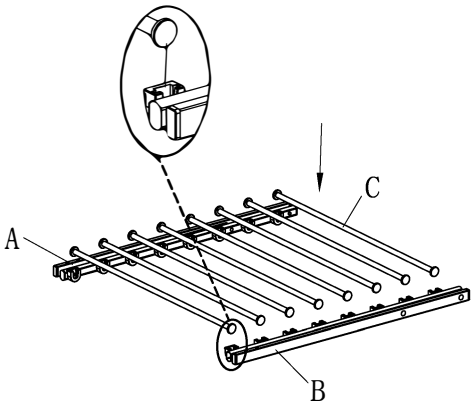
MAXIMUM SAFE LOAD:5kg

Hardware list



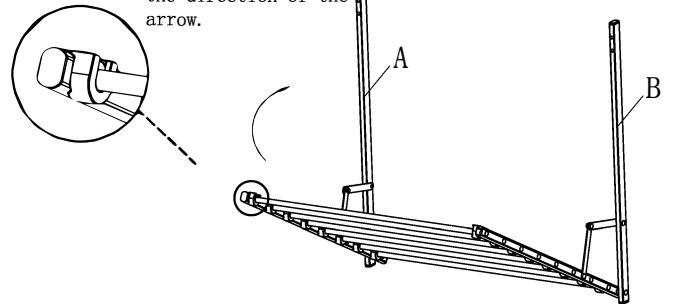
A	1 pcs	B	1 pcs	C	8 pcs	D	2 pcs
E	1 pcs	F	M5x30 4 pcs	G	Ø16×Ø6.5×2.5 2 pcs	H	M5 4 pcs
I	M5	1 pcs					

STEP 1

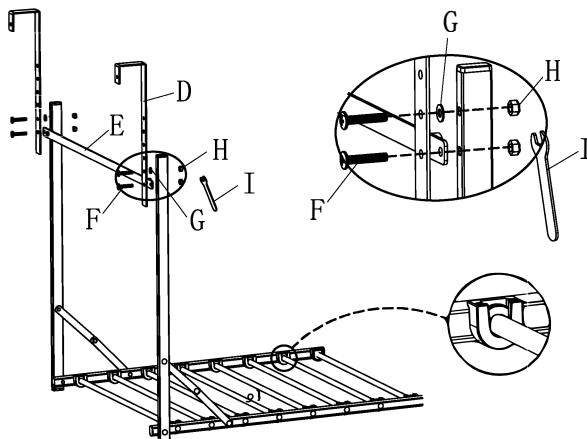


STEP 2

Rotate the component A and B according to the direction of the arrow.



STEP 3



	F	x 4
	G	x 2
	H	x 4



Tool required
Philips Head Screw Driver
(Not Provided)