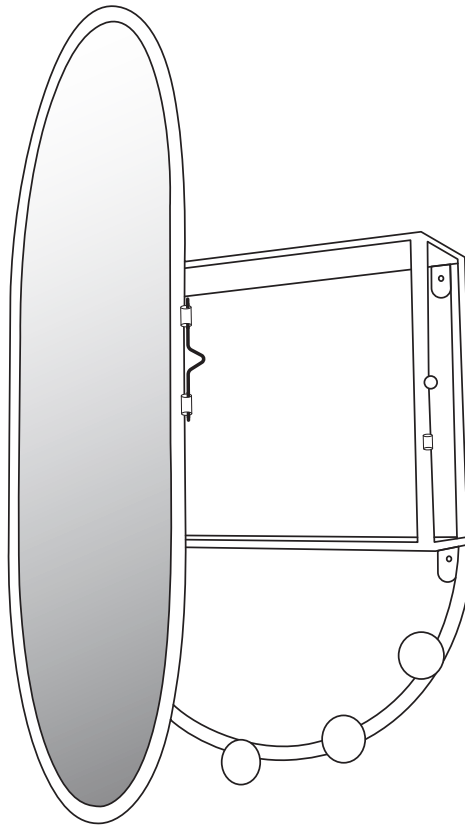
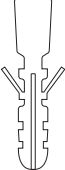



# INSTRUCTION MANUAL

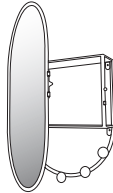
## HALLWAY MIRROR WITH SHELF AND HOOK


K: 43331635 / T: 68723040





#	PARTS	QTY
A		4

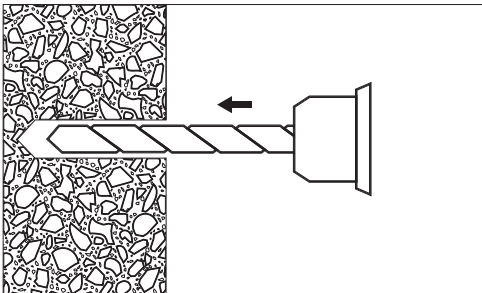
#	PARTS	QTY
B		4

#	PARTS	QTY
C		1

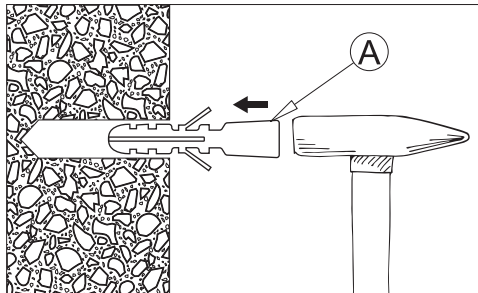
#	PARTS	QTY
D		1

#	PARTS	QTY
E		1

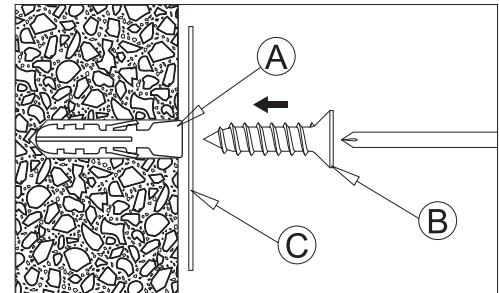
#	PARTS	QTY
F		1



**Step 1:** PART A-screw size:M4,use a drill bit with the same diameter as PART A for drilling.



**Step 2:** Insert PART A into the hole



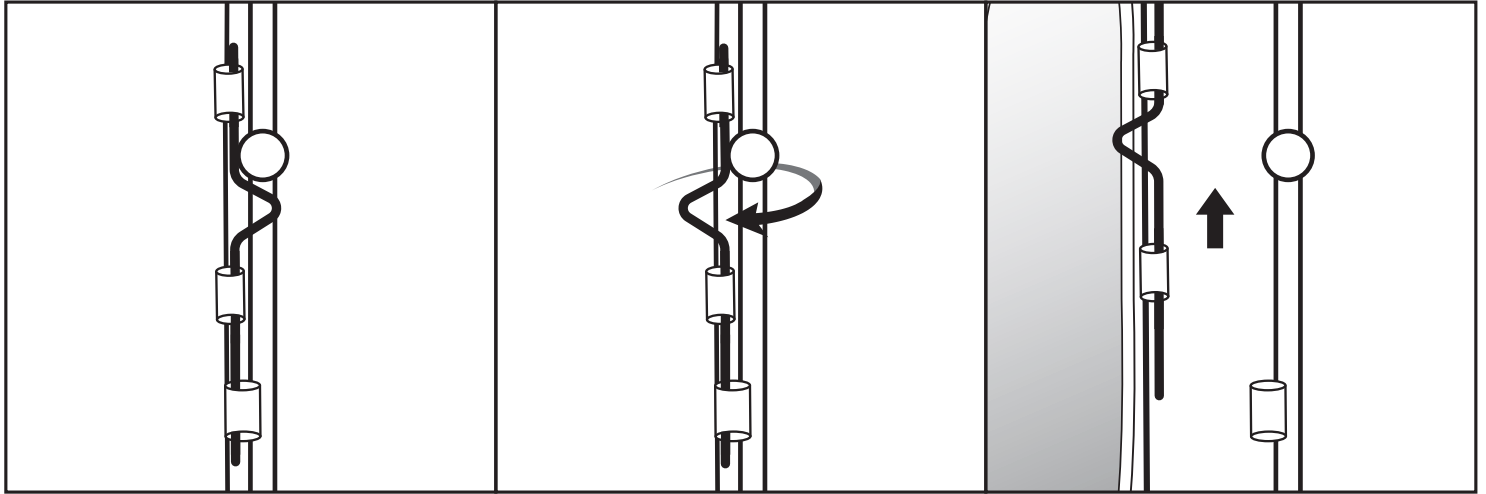
**Step 3:** Screw PART B and PART C into PART A

**WARNING:**

FRAGILE,HANDLE WITH CARE. ENSURE SECURE ATTACHMENT WHEN HANGING. PLEASE ENSURE CORRECT WEIGHT BEARING ARE USED WHEN HANGING THE MIRROR. FOR HANGING ADVICE CONSULT A DIY SPECIALIST BEFORE PROCEEDING.

PLEASE USE THE PRODUCT ACCORDING TO THE INSTRUCTIONS.

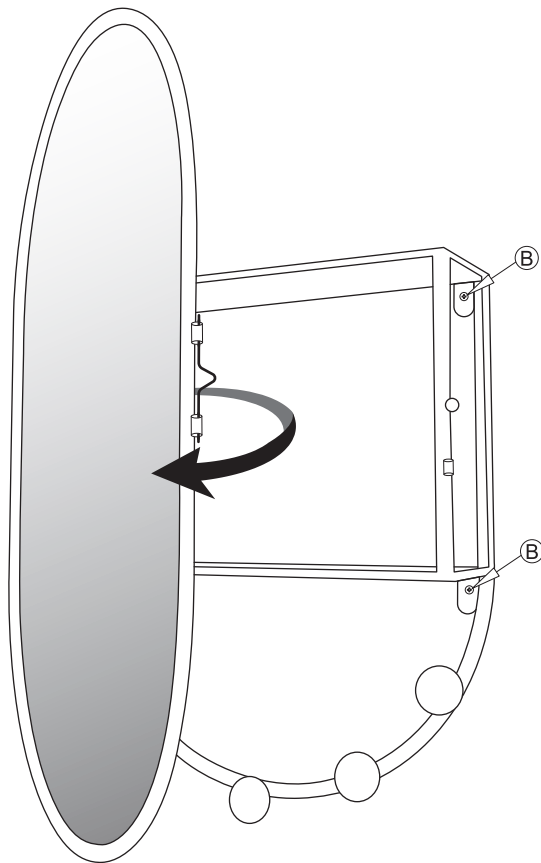
MAXIMUM LOADING WEIGHT: 5KG



**CLOSE:** make sure part D and part E correct position(as above image)

**STEPT1:** Rotate part D away from part E ,than part D and part E are separated

**STEPT2:** Lift part D up until the bottom is detached from part F



Pull the right border of the mirror frame outward and turn it to where you want it to be.  
Note: The maximum rotation Angle of the mirror frame is 90 degrees!