

# Assembly Instructions










**K:43329847 | T:68735555 PANELLED 3 DRAWER UNIT**









**CARE INSTRUCTION:** Wipe clean with a soft dry or damp cloth. Keep away from water and direct sunlight. For indoor and domestic use. Check and tighten all parts regularly.

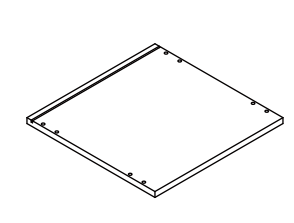
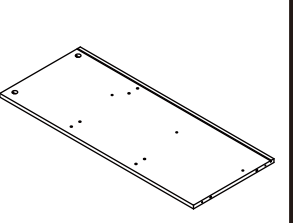
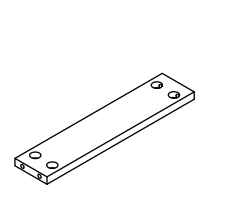
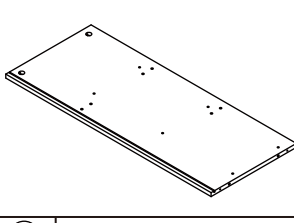
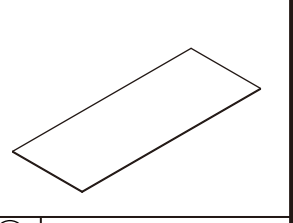
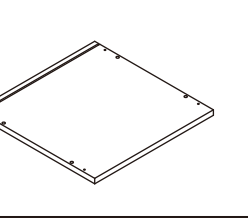
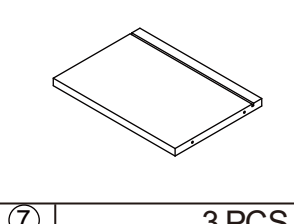
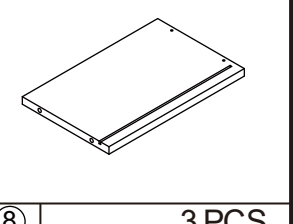
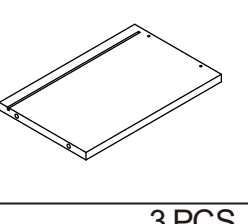
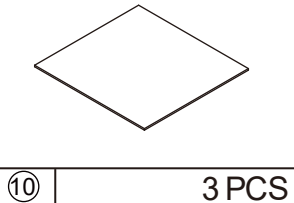
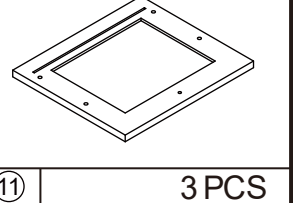
**WARNINGS:** Do not stand or sit on the unit. Do not lean on the product. Do not drag the product. Use only on a flat surface. Do not use until all screws, bolts and knobs are firmly secured. Load the drawer evenly to prevent it from tipping over. This product contains small parts and sharp points, keep away from children and babies. Adult assembly required. Failure to follow these warnings could result in serious injury.

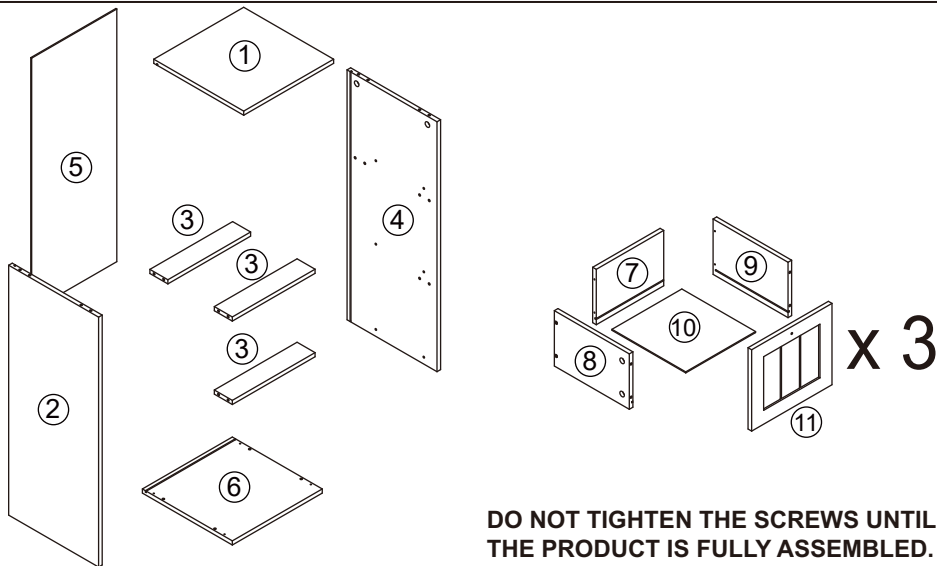
**MAXIMUM TOTAL LOADING WEIGHT:** 5KG FOR TOP PANEL AND 3KG FOR EACH DRAWER, 14KG IN TOTAL.

## Hardware list

|  |   |        |       |
|--|---|--------|-------|
|  | a |        | 28PCS |
|  | b |        | 28PCS |
|  | c | 6X30mm | 8PCS  |
|  | d | 4X30mm | 16PCS |
|  | e | 3X12mm | 24PCS |
|  | f | 4X10mm | 16PCS |
|  | g |        | 3PCS  |
|  | h |        | 3PCS  |
|  | i |        | 3PCS  |

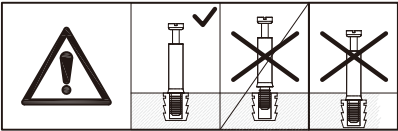
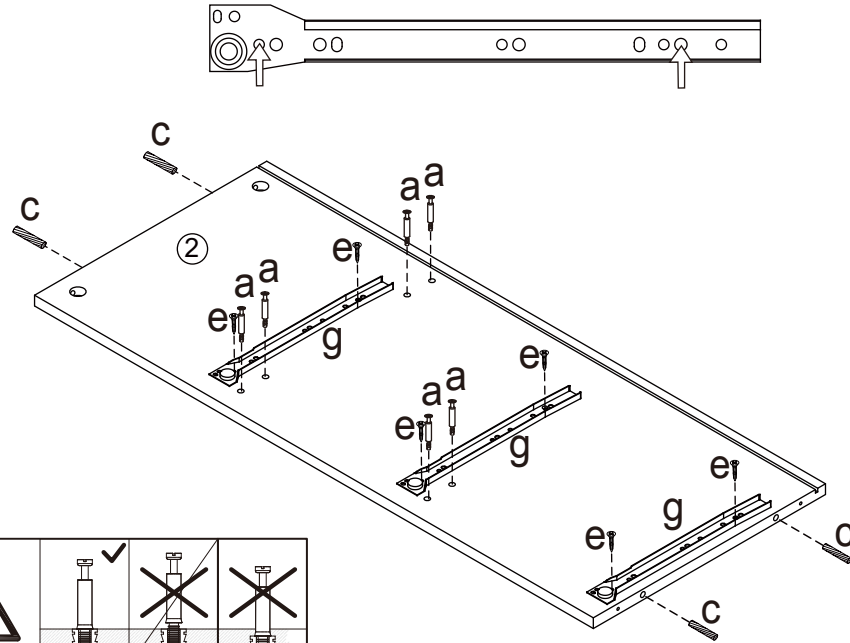
|   |  |        |      |
|---|--|--------|------|
|  | j  |        | 3PCS |
|  | k  |        | 3PCS |
|  | m  | 4X14mm | 3PCS |
|  | n  | 3X14mm | 6PCS |
|  | o  |        | 6PCS |
|  | p  |        | 2PCS |
|  | q  |        | 2PCS |
|  | Tool required<br>Philips Head Screw Driver<br>(Not Provided) |        |      |

|   |   |  |
|---|---|--|
|    |    |   |
| ① 1 PC  | ② 1 PC  | ③ 3 PCS  |
|    |    |   |
| ④ 1 PC  | ⑤ 1 PC  | ⑥ 1 PC   |
|   |   |  |
| ⑦ 3 PCS   | ⑧ 3 PCS   | ⑨ 3 PCS  |
|  |  |  |
| ⑩ 3 PCS   | ⑪ 3 PCS   |  |



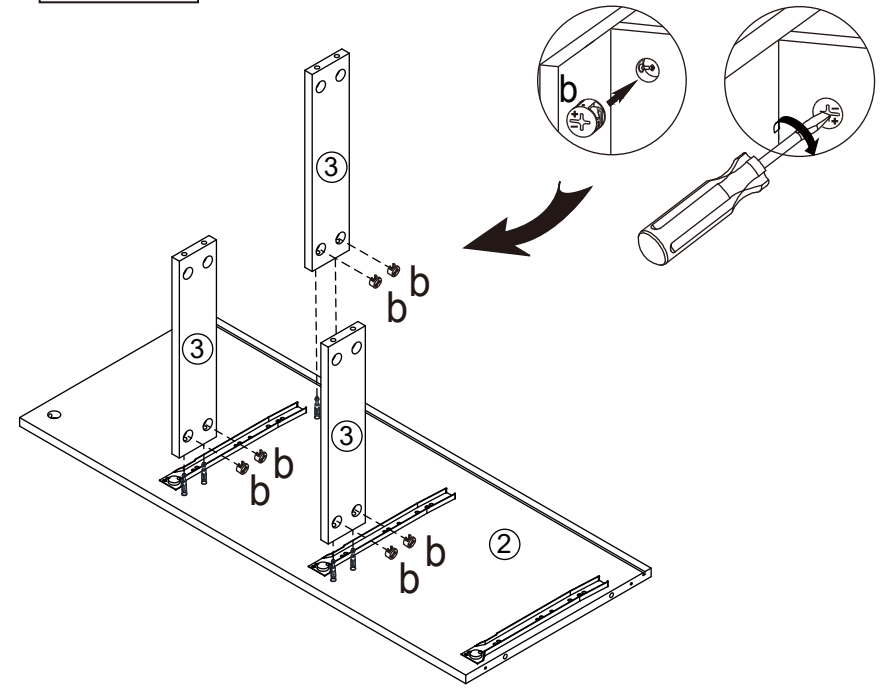
**STEP 1**

- X6
- X4
- X6
- X3



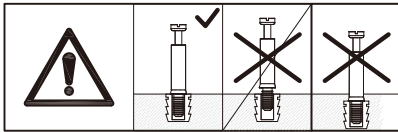
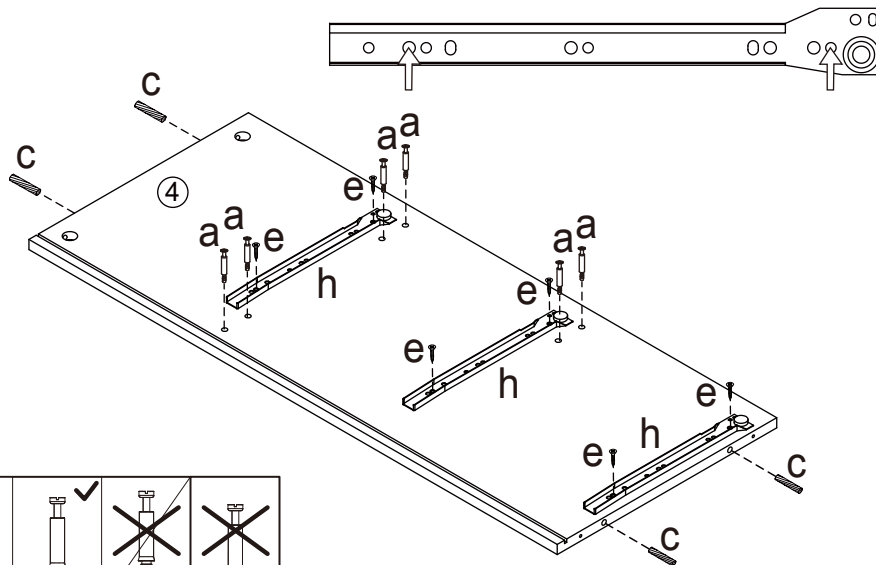
**STEP 2**

- X6



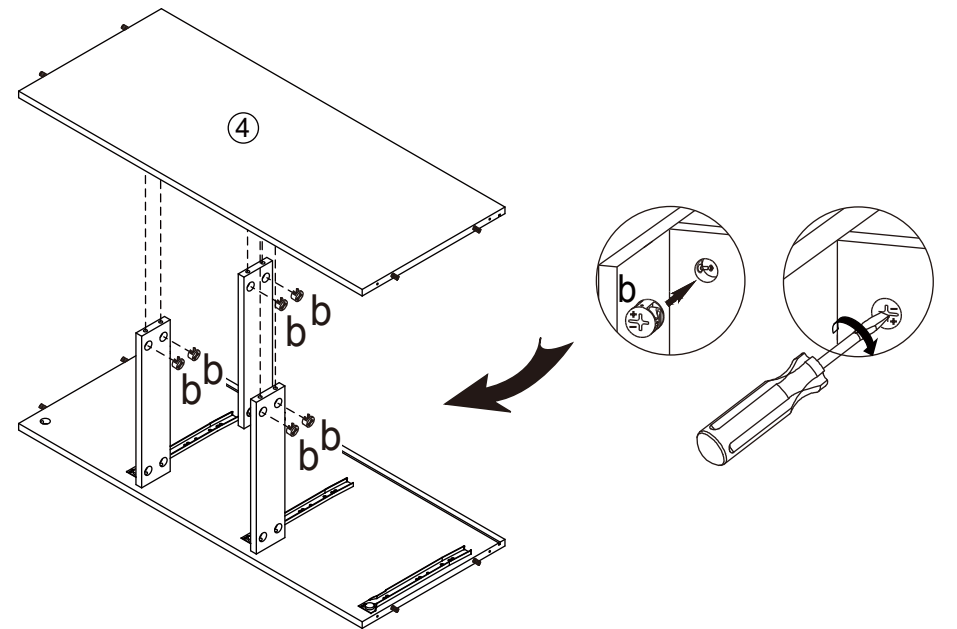
**STEP 3**

- X6
- X4
- X6
- X3



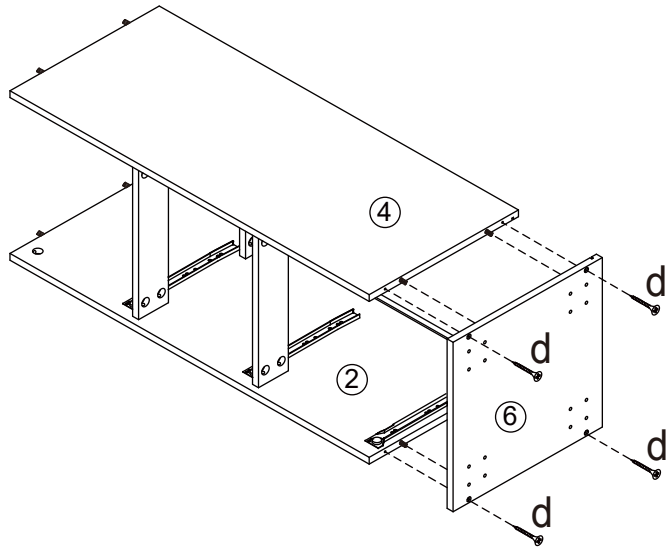
**STEP 4**

- X6



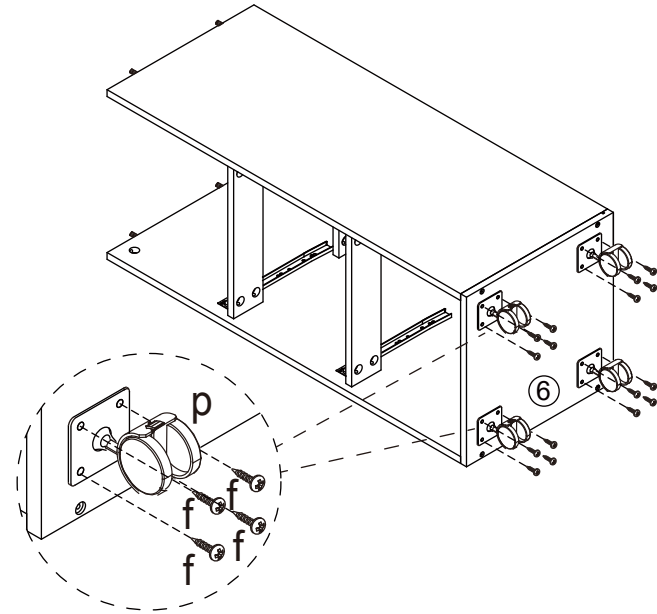
### STEP 5

 X4

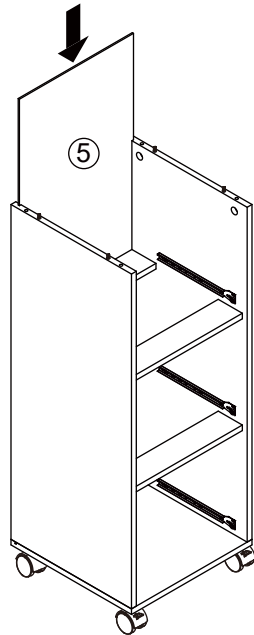


### STEP 6


 X16  X2  X2

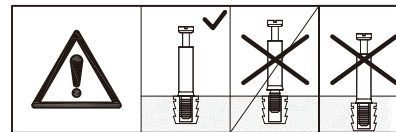
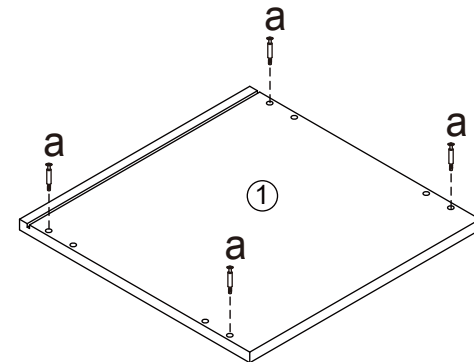


### STEP 7



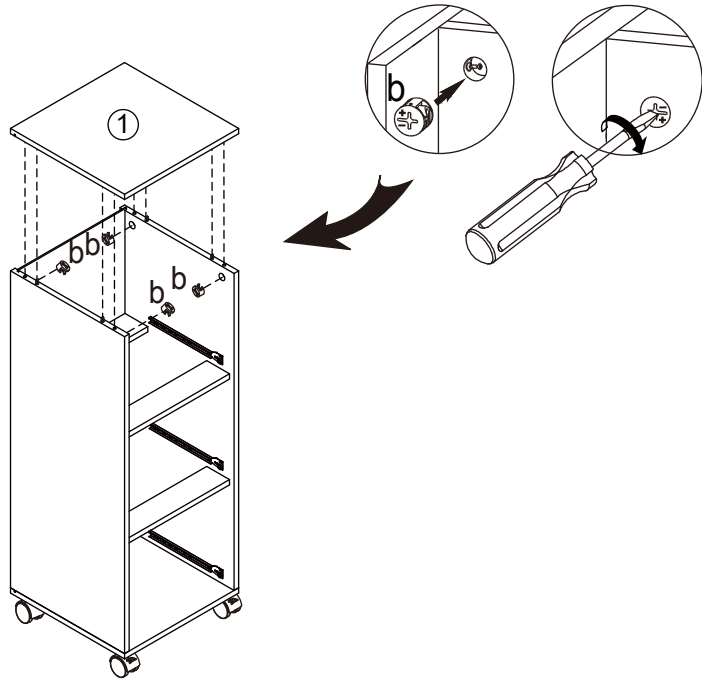
### STEP 8

 X4



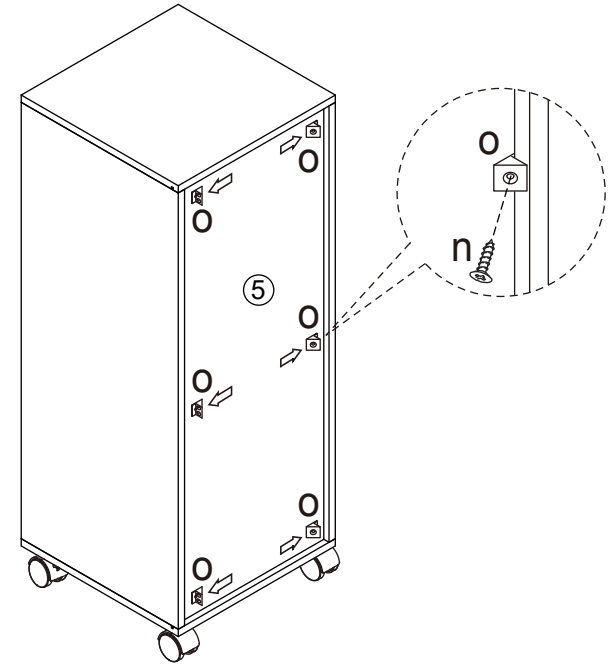
STEP 9

 X4



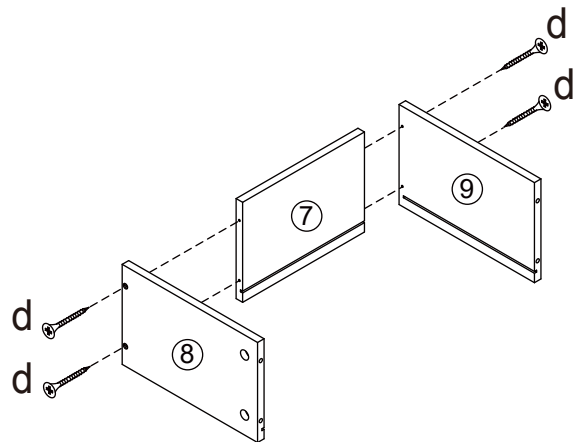
STEP 10

 X6  X6



STEP 11

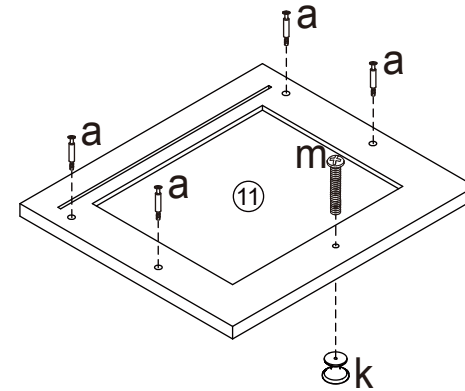
 X12



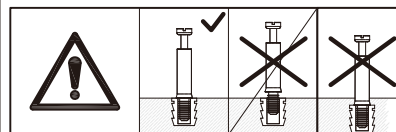
x3

STEP 12

 X12  X3  X3



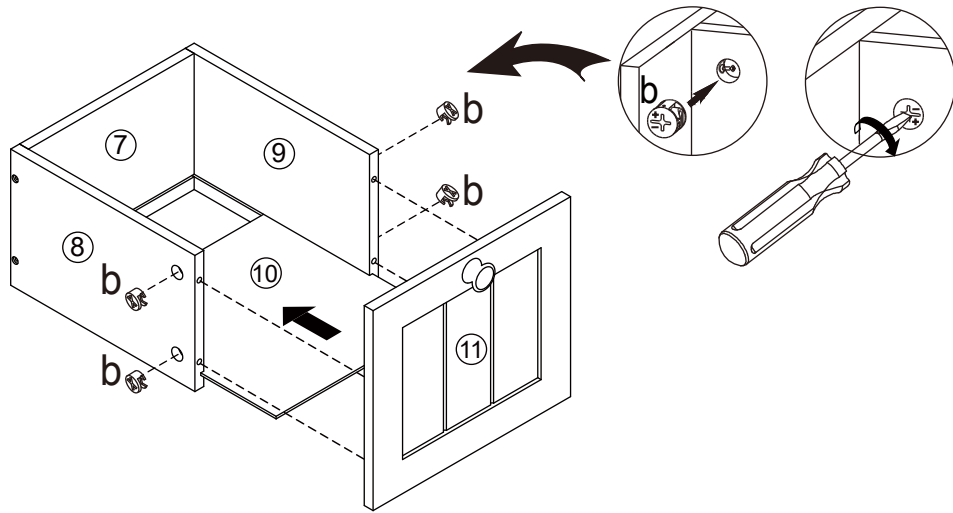
x3



STEP 13

X12

x3



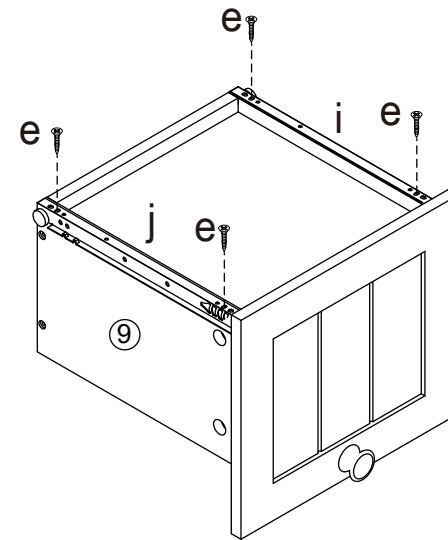
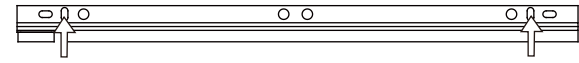
STEP 14

X12

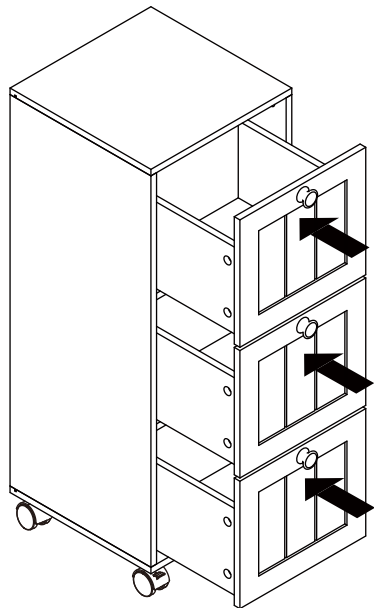
X3

X3

x3



STEP 15



STEP 16

