

size:21x29cm

Assembly Instructions

43323050 ADJUSTABLE STORAGE SOLUTION

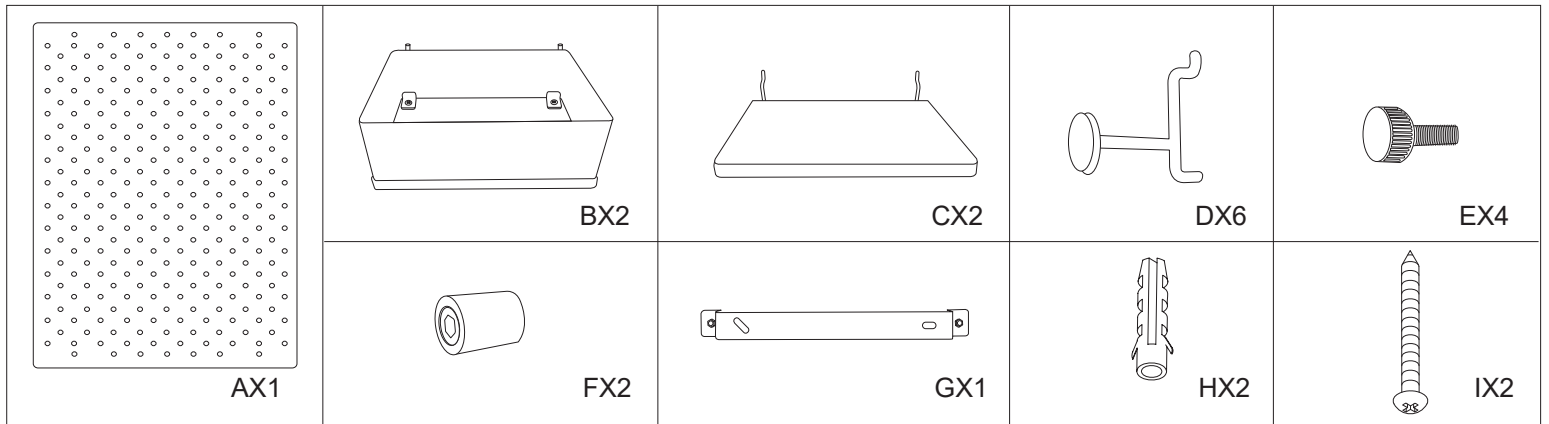
Care Instructions:

Wipe clean with a dry cloth. Do not use abrasive material and solvents. Check and tighten all parts regularly. Keep away from water and direct sunlight. Do not place hot items such as coffee cups directly on the surface. Store in a dry place. For indoor and domestic use only.

Warning:

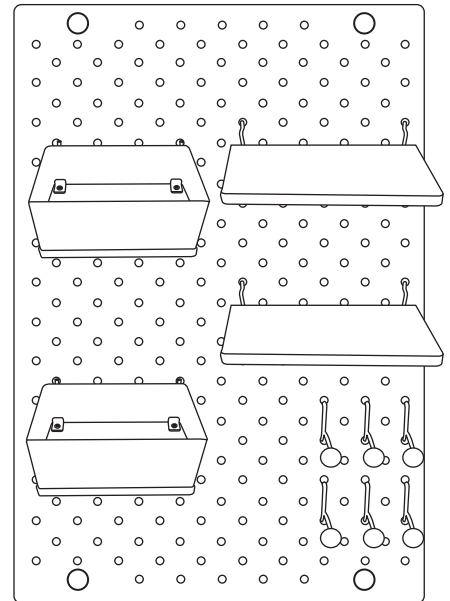
Do not use until all screws are firmly secured. Adult assembly required. Failure to follow these warnings could result in serious injury.

Maximum loading weight: 2kg per shelf, 1kg per hook.

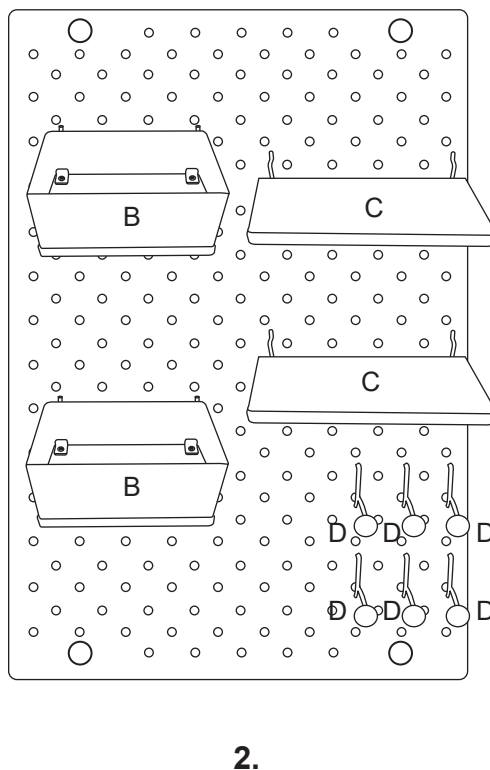
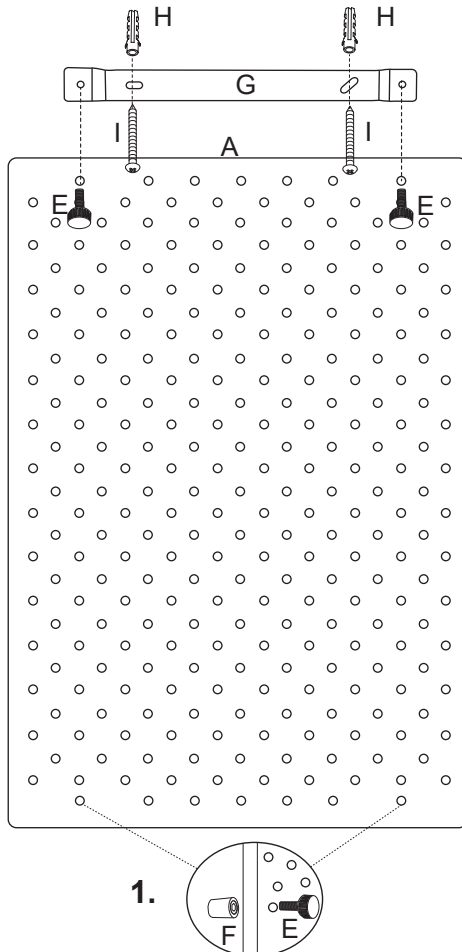
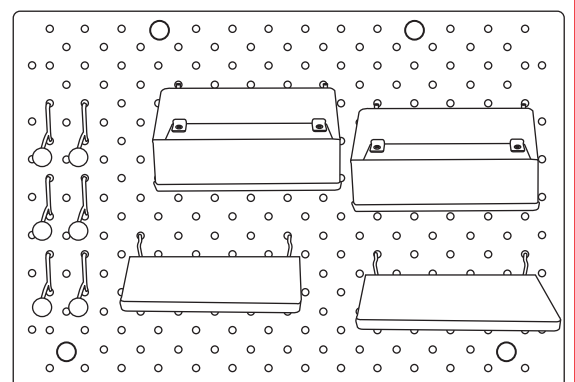


- Firmly fasten the wall mounting bracket (part G) to the wall first (with hardware I & H).
- Once secured, attach the board (part A) to the mounting bracket either vertically or horizontally (with hardware E).
- Add two spacers at the bottom of your unit as show (with hardware E & F) to ensure the board sits flat on the wall.
- You are now ready to add the shelves, hooks and baskets in the configuration that suits your needs.

OPTION 1: Vertical Placement



OPTION 2: Horizontal Placement



Notice:The tray,the board and the hooks can be freely combined and placed.