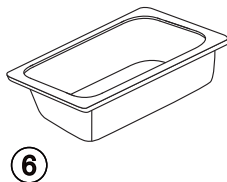
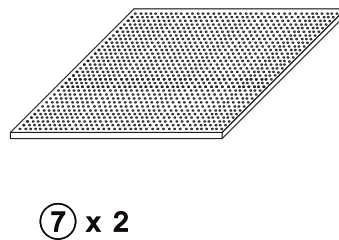
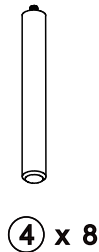
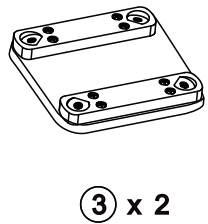
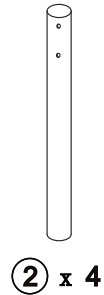
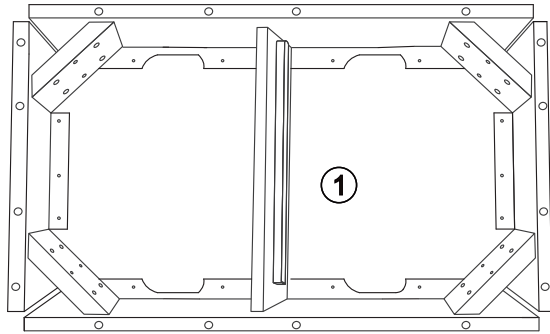


# Assembly Instructions



A  8 PCS

B  8 PCS

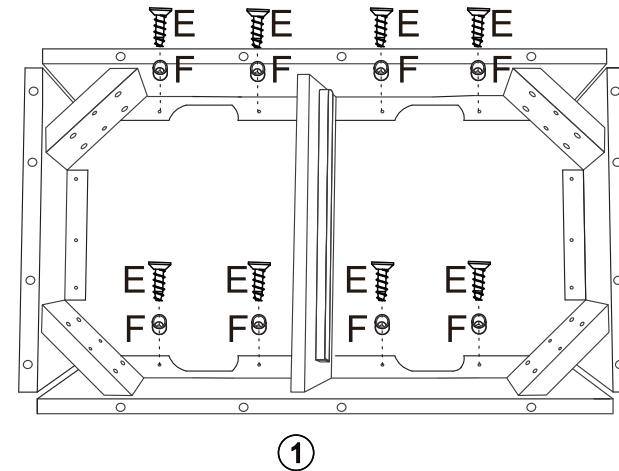
C  8 PCS

D  1 PC

E  8PCS

F  8PCS

1



## CAUTION

ADULT ASSEMBLY IS REQUIRED. UNASSEMBLED PARTS CONTAIN SCREWS AND WITH FUNCTIONAL SHARP POINTS, PLEASE KEEP UNASSEMBLED PARTS AWAY FROM SMALL CHILDREN. THIS IS A TOY TABLE SET, PLEASE USE AS INTENDED. FOR DOMESTIC USE ONLY.

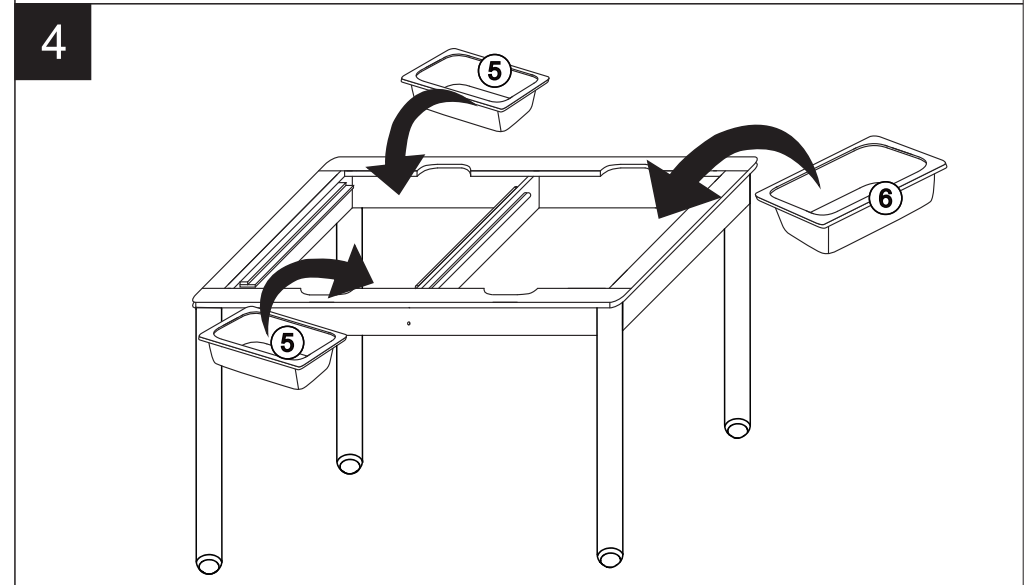
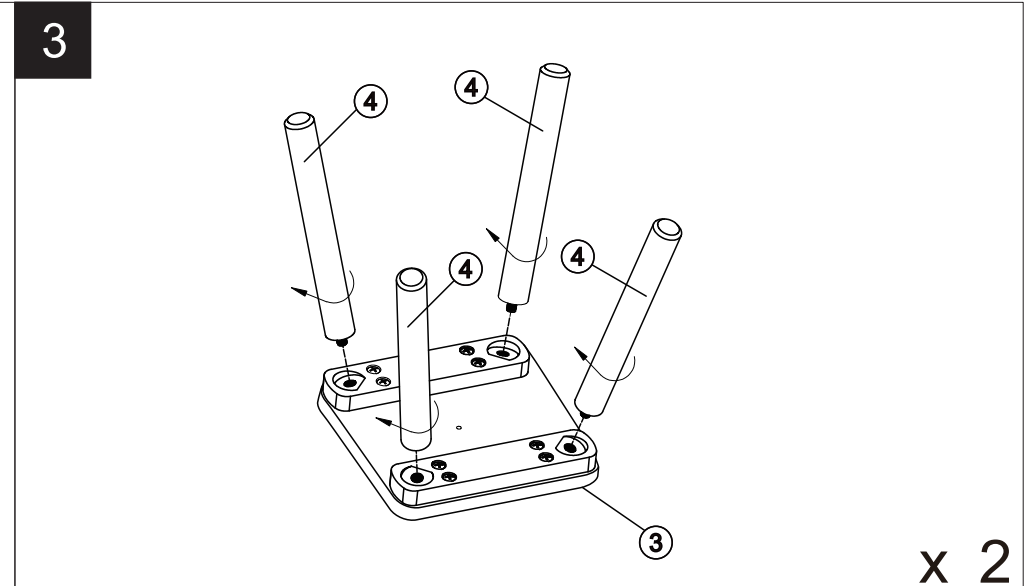
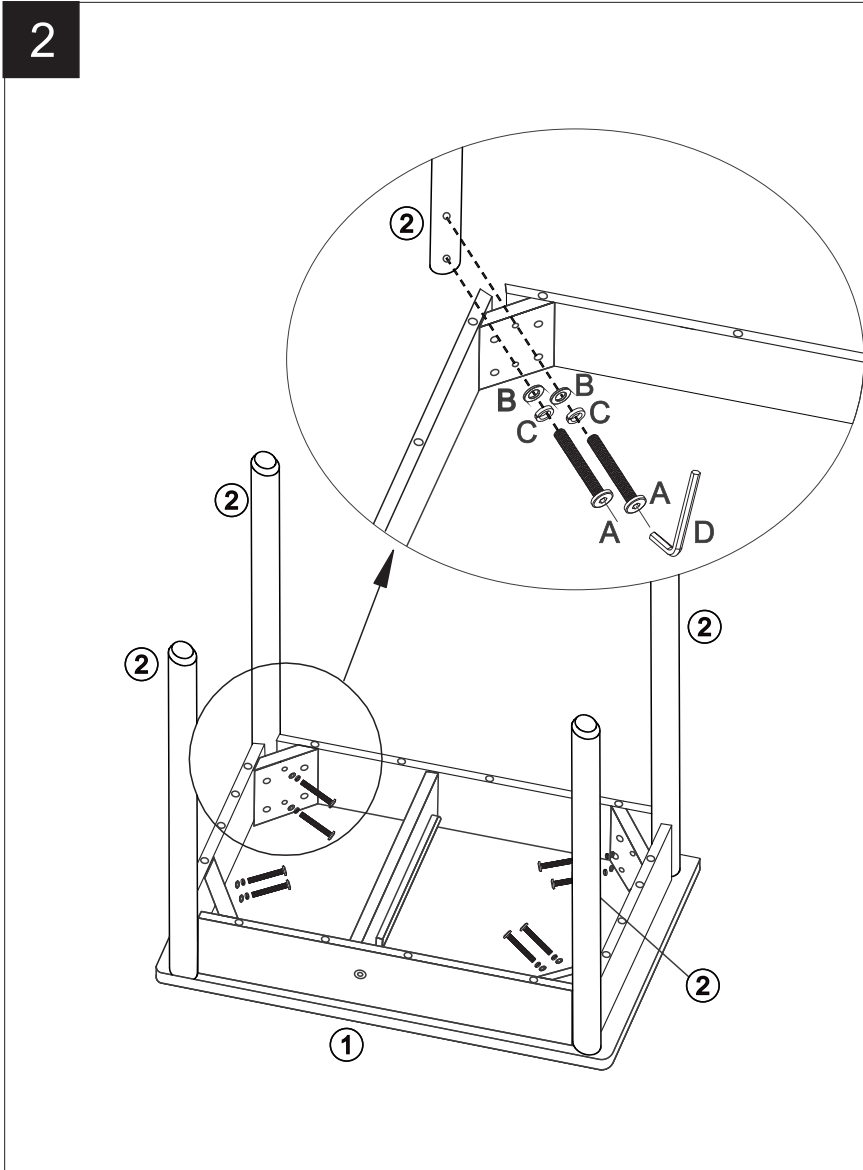
CAUTION: PLEASE CHECK CONDITION OF ITEM REGULARLY, AS SCREWS MAY LOOSEN WITH USE OVER TIME. TIGHTEN SCREW FITTINGS IF NECESSARY.



**WARNING**  
CHOKING HAZARD - SMALL PARTS.  
NOT SUITABLE FOR CHILDREN UNDER 3 YEARS.

WARNING: DO NOT STAND ON THE STOOL AND TABLE. MAX. LOAD FOR STOOL: 30KG, MAX. LOAD FOR TABLE: 5KG, MAX. LOAD FOR PLASTIC TUB: 2KG.

# Assembly Instructions



## CAUTION

ADULT ASSEMBLY IS REQUIRED. UNASSEMBLED PARTS CONTAIN SCREWS AND WITH FUNCTIONAL SHARP POINTS, PLEASE KEEP UNASSEMBLED PARTS AWAY FROM SMALL CHILDREN. THIS IS A TOY TABLE SET, PLEASE USE AS INTENDED. FOR DOMESTIC USE ONLY.

CAUTION: PLEASE CHECK CONDITION OF ITEM REGULARLY, AS SCREWS MAY LOOSEN WITH USE OVER TIME. TIGHTEN SCREW FITTINGS IF NECESSARY.

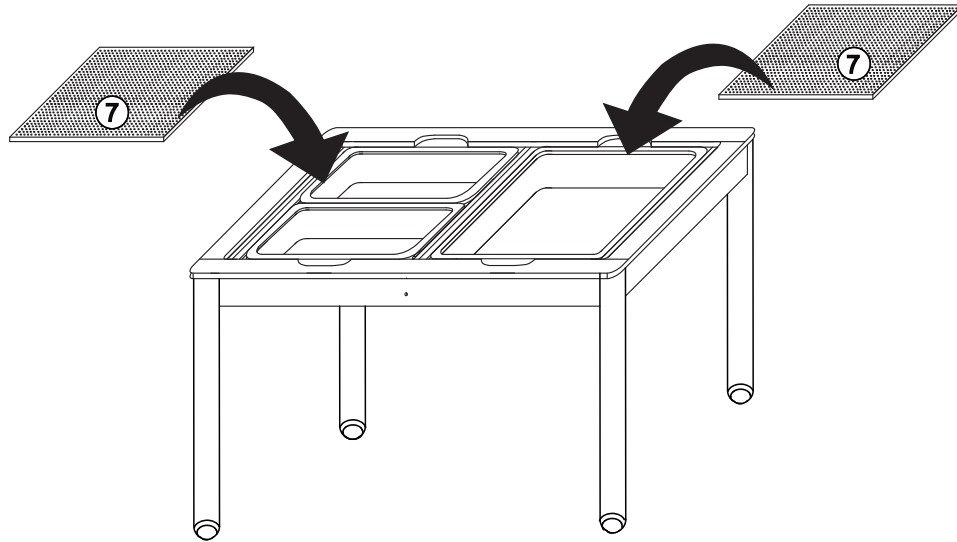


**WARNING**  
CHOKING HAZARD - SMALL PARTS.  
NOT SUITABLE FOR CHILDREN UNDER 3 YEARS.

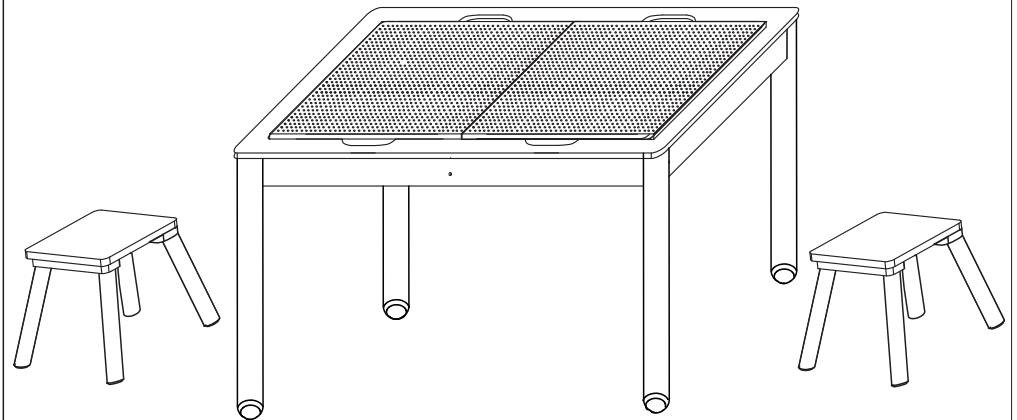
WARNING: DO NOT STAND ON THE STOOL AND TABLE. MAX. LOAD FOR STOOL: 30KG, MAX. LOAD FOR TABLE: 5KG, MAX. LOAD FOR PLASTIC TUB: 2KG.

# Assembly Instructions

5



6



## CAUTION

ADULT ASSEMBLY IS REQUIRED. UNASSEMBLED PARTS CONTAIN SCREWS AND WITH FUNCTIONAL SHARP POINTS, PLEASE KEEP UNASSEMBLED PARTS AWAY FROM SMALL CHILDREN. THIS IS A TOY TABLE SET, PLEASE USE AS INTENDED. FOR DOMESTIC USE ONLY.

CAUTION: PLEASE CHECK CONDITION OF ITEM REGULARLY, AS SCREWS MAY LOOSEN WITH USE OVER TIME. TIGHTEN SCREW FITTINGS IF NECESSARY.



**WARNING**  
CHOKING HAZARD - SMALL PARTS.  
NOT SUITABLE FOR CHILDREN UNDER 3 YEARS.

WARNING: DO NOT STAND ON THE STOOL AND TABLE. MAX. LOAD FOR STOOL: 30KG, MAX. LOAD FOR TABLE: 5KG, MAX. LOAD FOR PLASTIC TUB: 2KG.