

anko

PET STROLLER



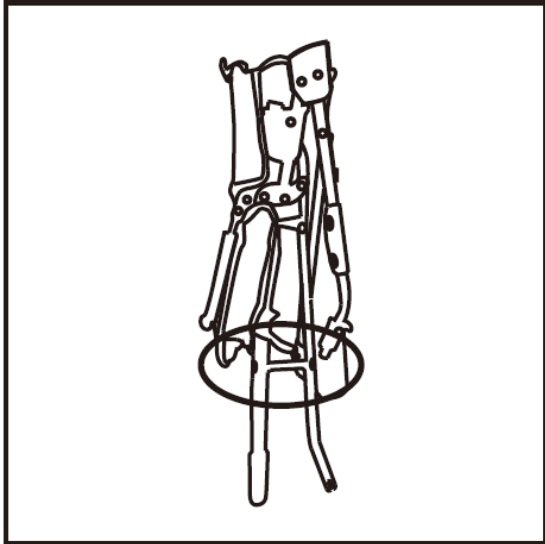
Contents



Assembly Instructions

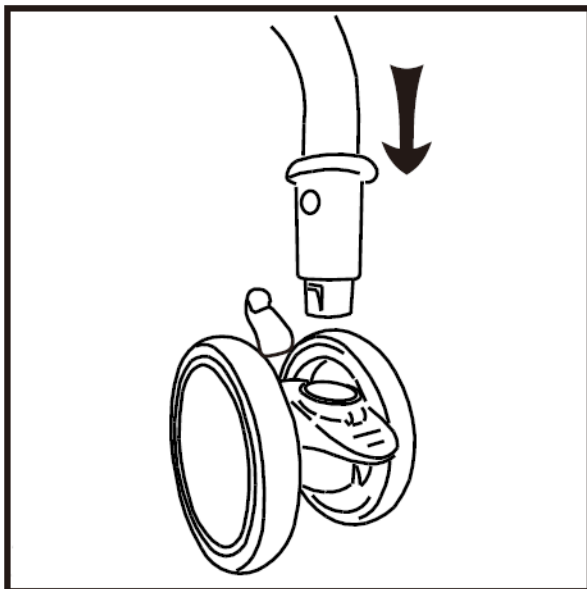
Step 1.

Release the buckle and open the stroller until legs lock into place, refer to the below image:



Step 2.

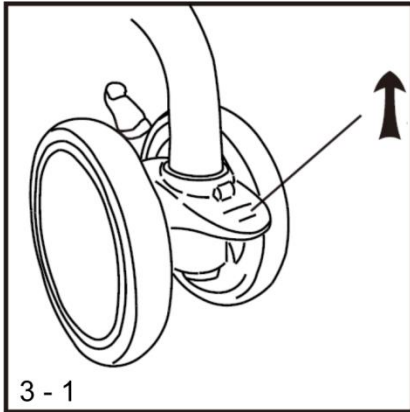
Insert the wheels into the leg until a "click" is heard, refer to the below image:



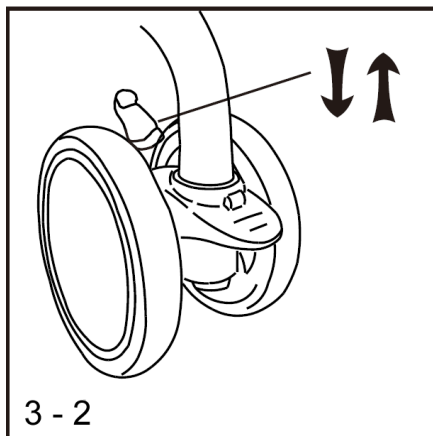
Step 3.

Lifting the latch upward, will lock the wheels, allowing it to go straight only.

Pressing the latch downward, will unlock the wheels, allowing the stroller wheels to be rotated 360°.

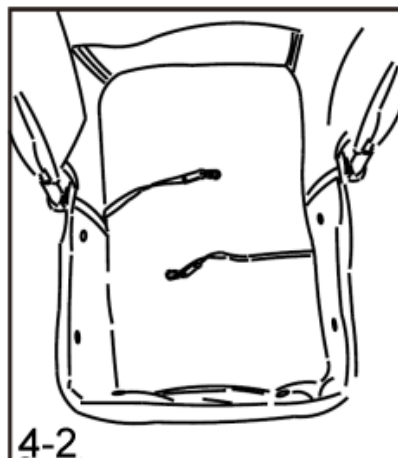
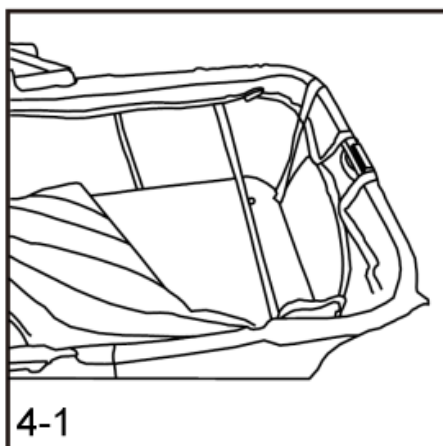


Step on the brake to stop the stroller rolling. Lift it back up to release the stroller:



Step 4.

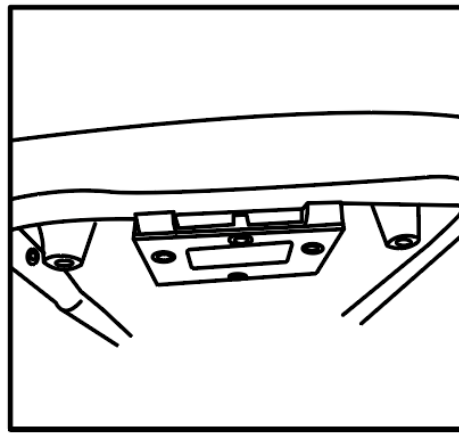
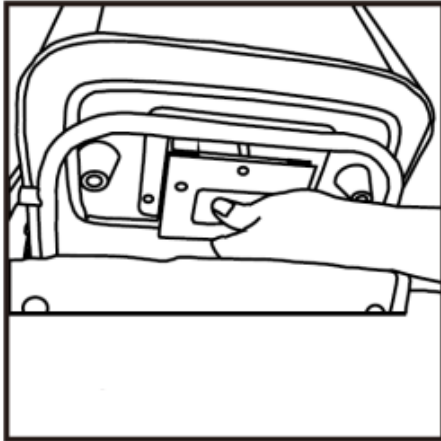
To assembly the basket, expand the 2 sides of the support brackets separately. Adhere the hook the loop strips. Refer to the images below:



Step 5.

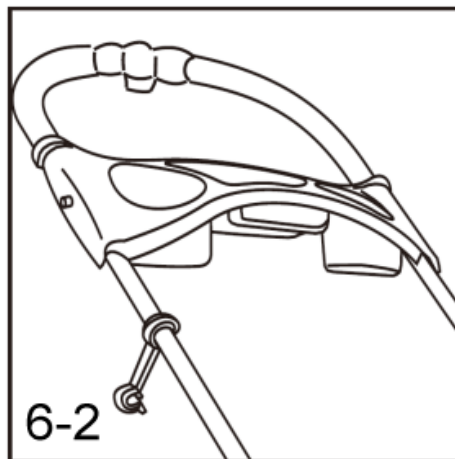
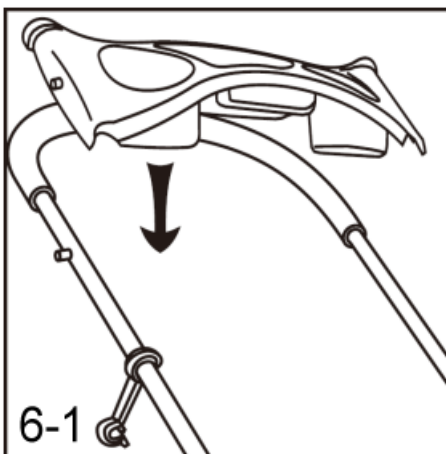
Place the basket on the steel frame. Press the button that is shown in the below image:

Then pull the basket downward, making the basket sit in the slot securely.



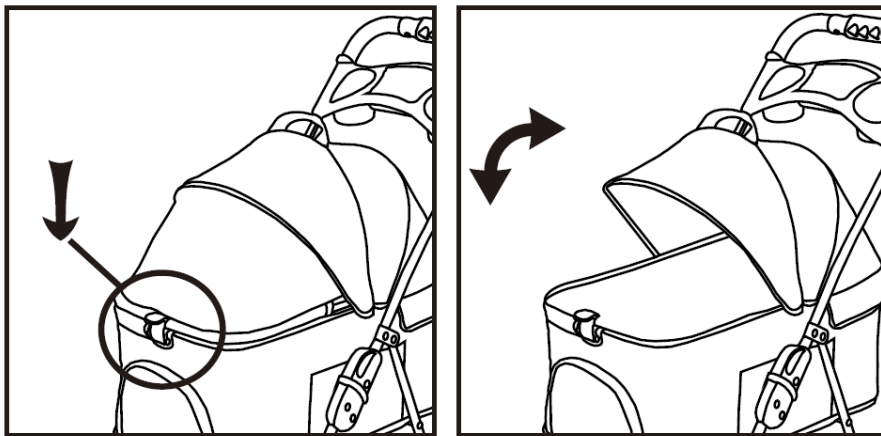
Step 6.

Add the cup holder onto the handle, refer to the below image:



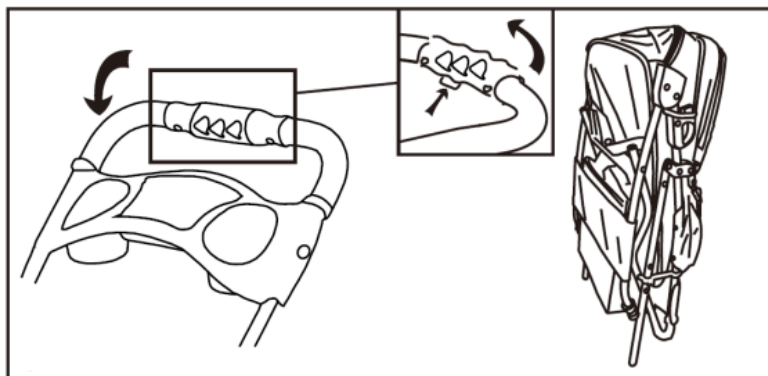
Step 7.

Use the button on the basket to open and close the canopy. Refer to the below images:



Step 8.

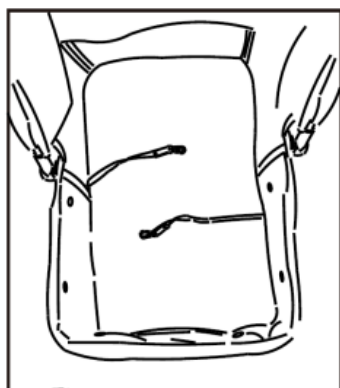
To fold the stroller up, fold the 2 sides of the support brackets from inside the basket. By pressing button, rotate it in a clockwise direction. Refer to the image below:



The stroller should now be folded.

REMINDER:

PLEASE ALWAYS USE THE PROVIDED 2 SAFETY LEASHES WITH YOUR PET'S HARNESS OR COLLAR WHEN YOUR PET IN THE STROLLER, AS BELOW IMAGE SHOWS:



IMPORTANT! READ AND FOLLOW THESE INSTRUCTIONS CAREFULLY AND KEEP FOR FUTURE REFERENCE.

▲ WARNING:

1. INTENDED FOR PETS ONLY.
2. PLEASE MAKE SURE THE STROLLER IS ASSEMBLED CORRECTLY ACCORDING TO THE INSTALLATION MANUAL.
3. FOR YOUR PET'S SAFETY, INSPECT REGULARLY AND REMOVE IF DAMAGED. ALWAYS SUPERVISE YOUR PET DURING USE.
4. ALWAYS USE THE 2 SAFETY LEASHES WITH YOUR PET'S HARNESS OR COLLAR WHEN YOUR PET IN THE STROLLER.
5. ALWAYS APPLY THE BRAKE WHENEVER THE STROLLER IS STATIONARY.
6. DO NOT USE ANY COMPONENT NOT SUPPLIED BY MANUFACTURER.
7. DO NOT USE NEAR AN OPEN FIRE OR EXPOSED FLAME.
8. DO NOT USED AS SLEEPING PET BED.
9. THE STROLLER IS DESIGNED FOR USING ON FLAT OR GENTLY SLOPING SURFACE, IT MAY TIP OVER-USE ON AN UNEVEN SURFACE.
10. TO AVOID FINGER ENTRAPMENT, FOLD AND UNFOLD THE STROLLER CAREFULLY.
11. MAXIMUM LOADING: 8KG.

CLEANING:

USE WIPE CLOTH TO CLEAN THE STROLLER.

CARE INSTRUCTION FOR CUSHION:

COLD HAND WASH. DO NOT BLEACH

DRY FLAT IN SHADE

DO NOT TUMBLE DRY

DO NOT IRON

DO NOT DRY CLEAN ☒.

DRY THOROUGHLY BEFORE RE-USE OR STORAGE.

NOT INTENDED FOR REPEATED WASHING.