

# Assembly Instruction

43272501 - 3 TIER POT HOLDER


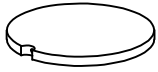

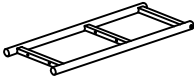


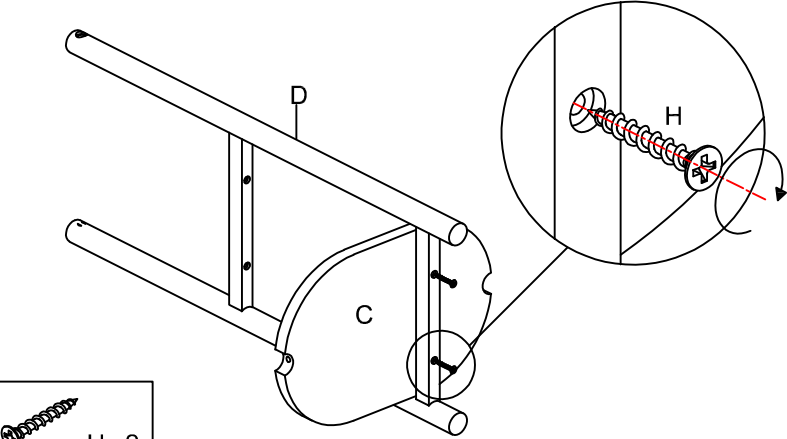
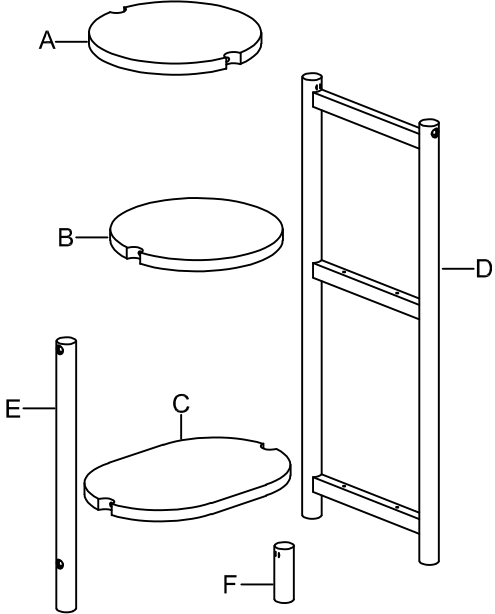
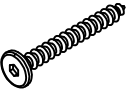


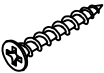

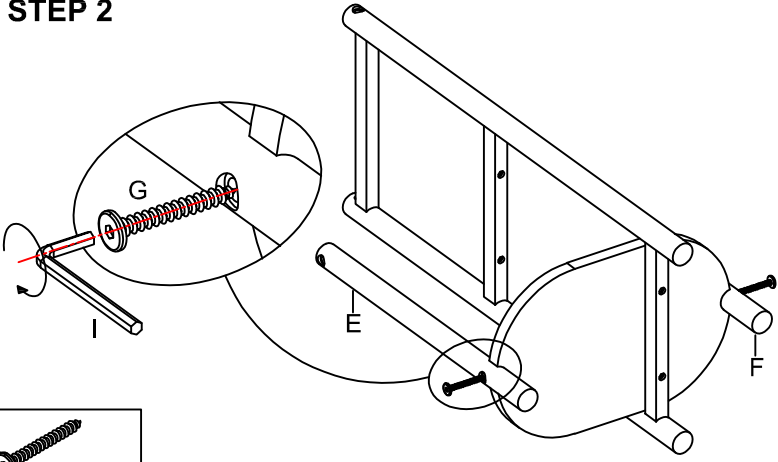



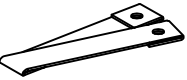
**CARE INSTRUCTIONS:**

WIPE CLEAN WITH A SOFT DAMP CLOTH. DO NOT USE ABRASIVE MATERIAL AND SOLVENTS. CHECK AND TIGHTEN ALL PARTS REGULARY.

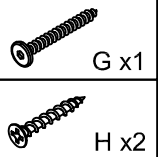
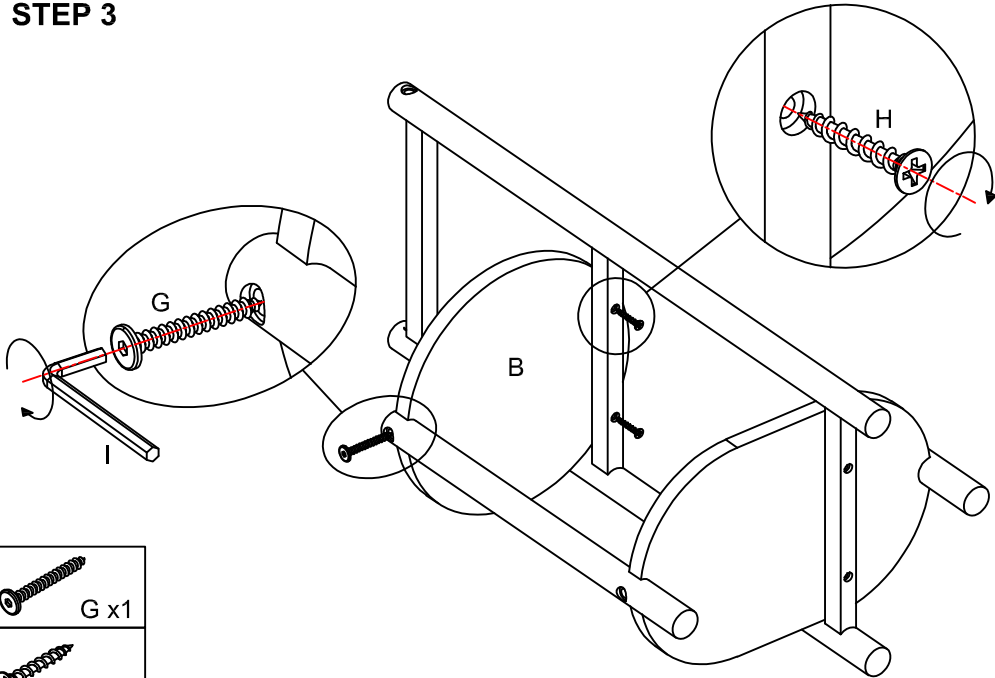
**WARNING:**

DO NOT STAND ON THE UNIT. USE ONLY ON A FLAT SURFACE. DO NOT USE UNTIL ALL SCREWS, BOLTS AND KNOBS ARE FIRMLY SECURED. THIS PRODUCT CONTAINS SMALL PARTS AND SHARP POINTS, KEEP AWAY FROM CHILDREN AND BABIES. ADULT ASSEMBLY REQUIRED. FAILURE TO FOLLOW THESE WARINGS COULD RESULT IN SERIOUS INJURY.

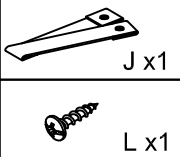
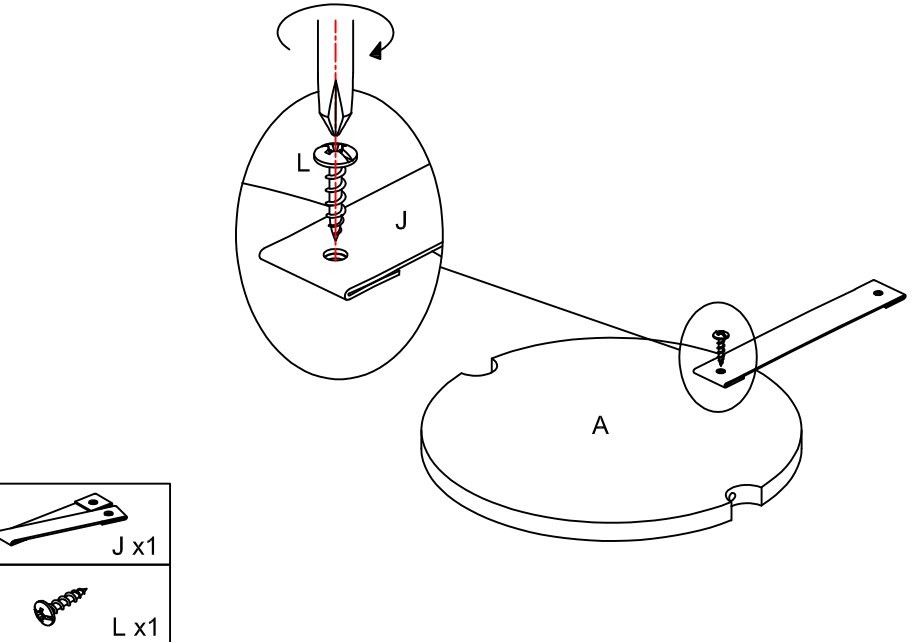
**MAXIMUM SAFE LOAD: 5kg each shelf**

|   |   |   |  |   |  |  |
|---|---|---|--|---|--|--|
| A x1<br>                                | B x1<br> | C x1<br> | D x1<br>    | E x1<br>    | F x1<br>                | <p><b>STEP 1</b></p>  |
|                                       |   |   | G x5<br>   | K x1<br>   |  H x2                  |  |
| <p><b>Do not tighten the screws fully during assembly.<br/>Fully tighten screws after the final assembly steps.</b></p> |   |   | H x4<br> | L x1<br> | <p><b>STEP 2</b></p>  |  |
|   |   |   | I x1<br> | M x1<br> |  |  G x2               |
|   |   |   | J x1<br> |   |  |  |

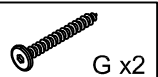
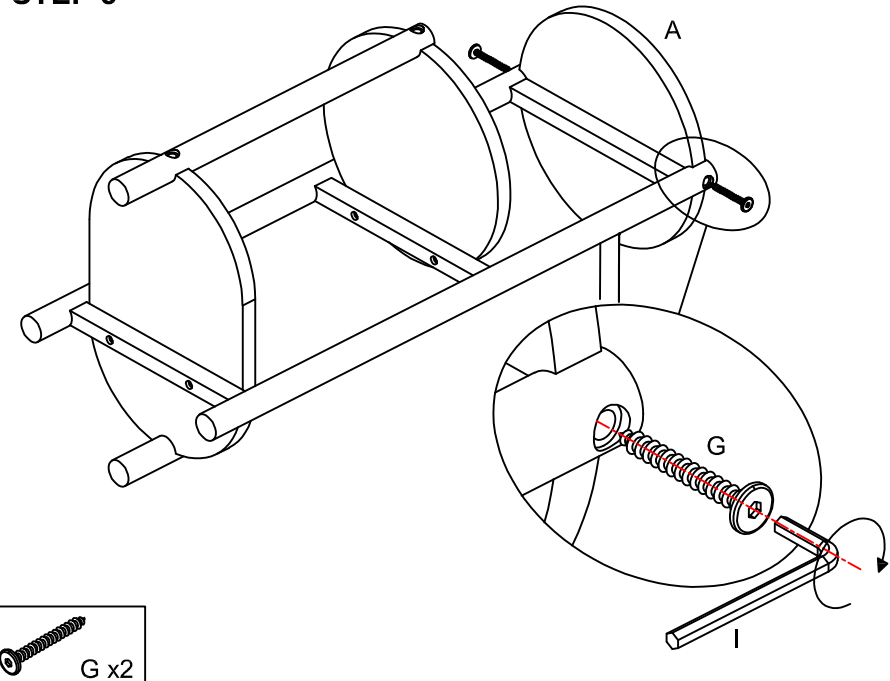
**STEP 3**



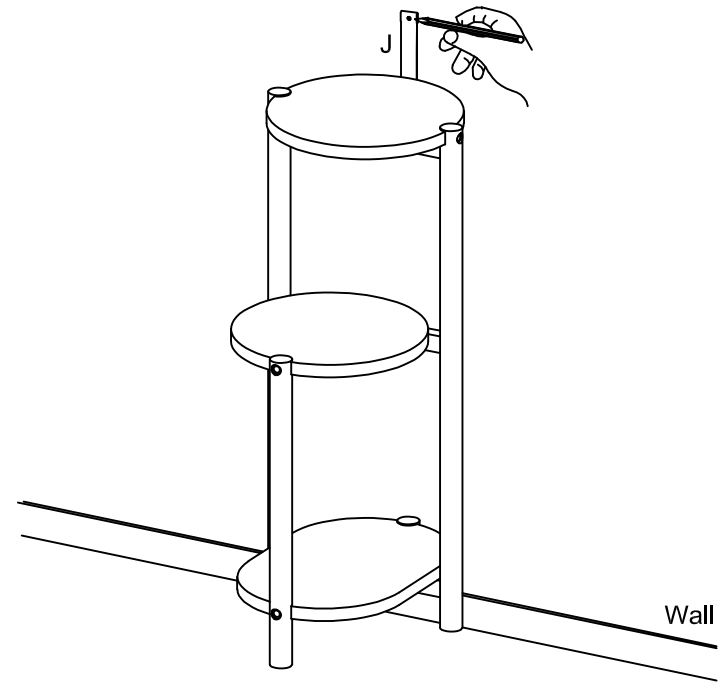
**STEP 4**



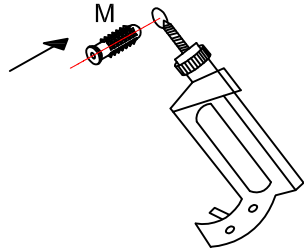
**STEP 5**



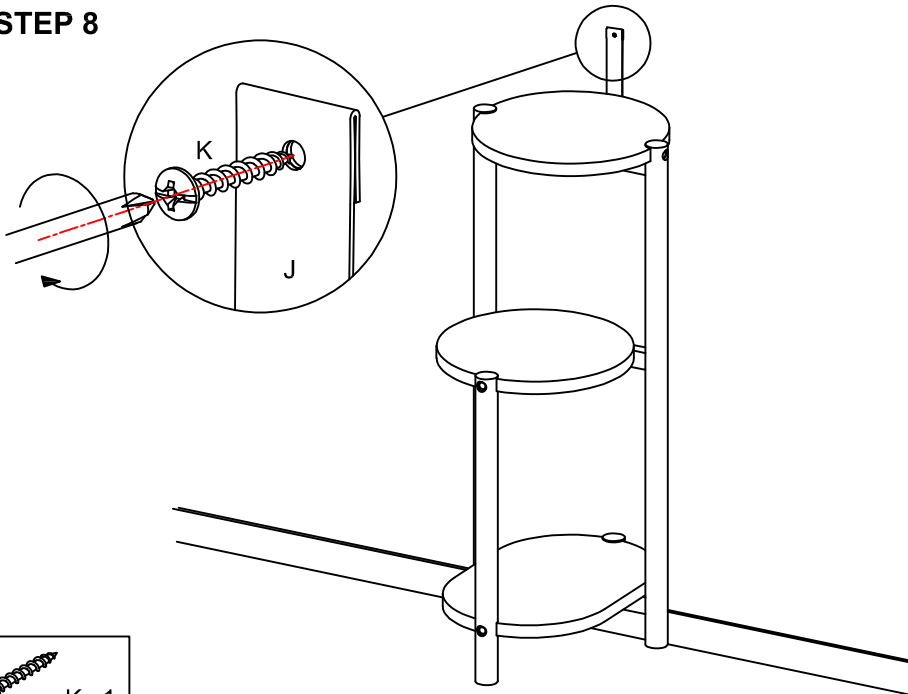
**STEP 6**



## STEP 7



## STEP 8



### TOPPLING FURNITURE WARNING:

- It is strongly recommended that this product is permanently fixed to the wall.
- Please seek professional advice if you are in doubt of what fixing device to use.
- Regularly check that anchors are securely maintained.
- Stability of tall items may be affected by thick pile carpet or uneven floors.
- Do not place unanchored televisions on furniture.

**CAUTION:** for your safety when attaching the anchor fixings, please note the following:

- Check any electrical wires or plumbing inside the wall before drilling any holes (if you are unsure please seek professional advice from a qualified tradesperson).



TOPPLING HAZARD

**WARNING:** PLEASE SECURE YOUR FURNITURE WITH THE SUPPLIED WALL FIXING. SCAN THE CODE FOR MORE INFORMATION.

