

Assembly Instructions

43269990 4 TIER STACKABLE BLACK SHOE RACK

CARE INSTRUCTIONS:


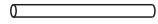
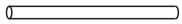
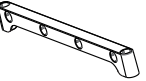

WIPE CLEAN WITH A SOFT DAMP CLOTH. DO NOT USE ABRASIVE MATERIAL AND SOLVENTS. KEEP AWAY FROM WATER AND DIRECT SUNLIGHT. CHECK AND TIGHTEN ALL PARTS REGULARLY. ENSURE PARTS ARE PUSHED TOGETHER SECURELY. FOR INDOOR USE ONLY.

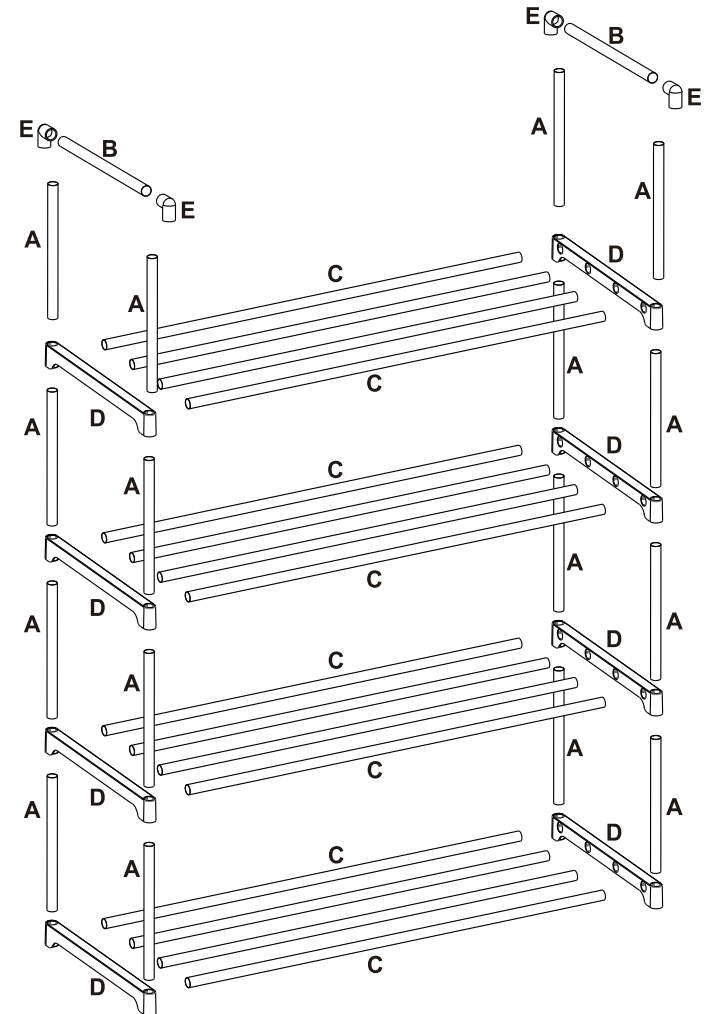
WARNING:

DO NOT STAND ON THE UNIT. USE ONLY ON A FLAT SURFACE. DO NOT USE UNTIL ALL SCREWS, BOLTS AND KNOBS ARE FIRMLY SECURED. THIS PRODUCT CONTAINS SMALL PARTS AND SHARP POINTS, KEEP AWAY FROM CHILDREN AND BABIES. ADULT ASSEMBLY REQUIRED. FAILURE TO FOLLOW THESE WARNINGS COULD RESULT IN SERIOUS INJURY.

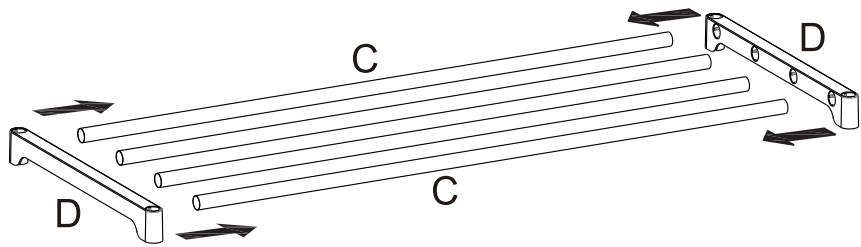
MAXIMUM SAFE LOAD: 3KG FOR EACH SHELF

Components list

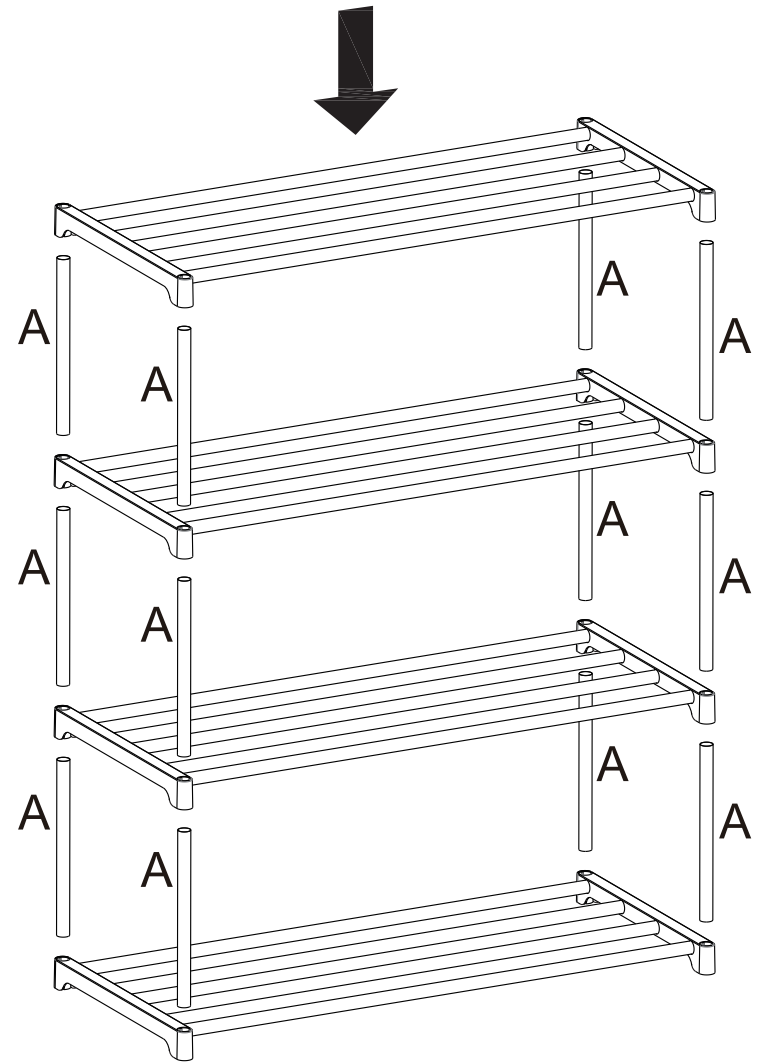
					
A	Φ 13. 6x195mm	16PCS	B	Φ 13. 6x260mm	2PCS
C	Φ 13. 6x665mm	16PCS			
					
D		8PCS	E		4PCS



STEP 1

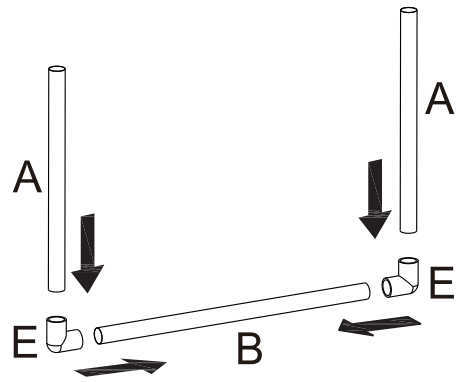


STEP 2

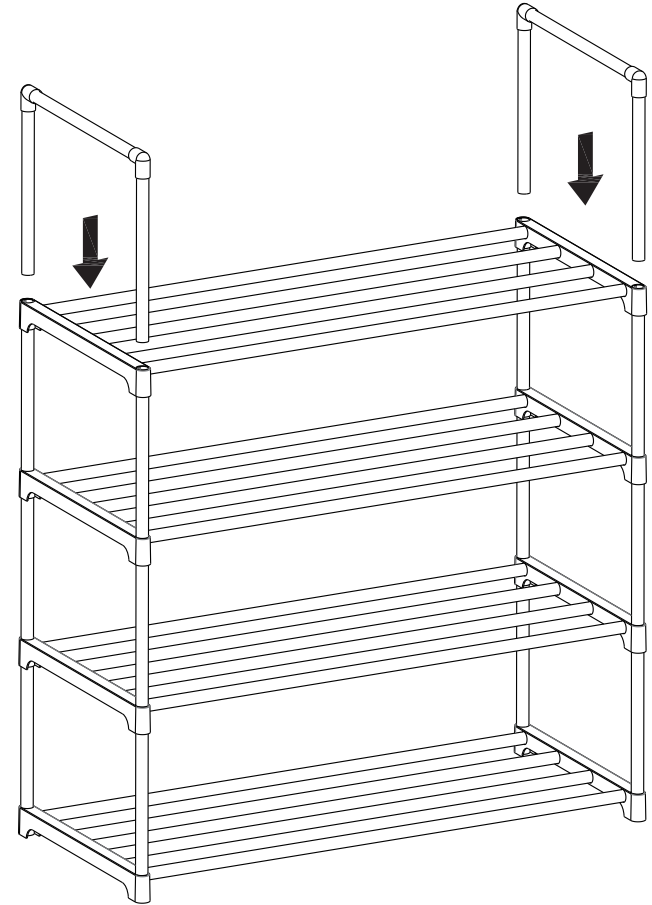


x4

STEP 3

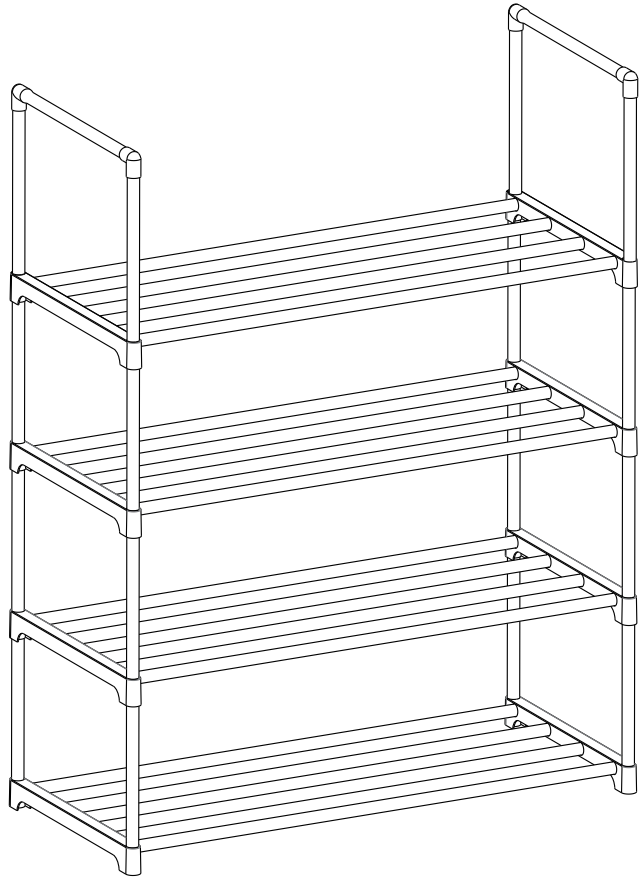


STEP 4



x2

STEP 5



To join 2x units

