

Assembly Instruction

43267439 COOPER SIDEBORD OO

CARE INSTRUCTIONS:




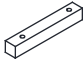

WIPE CLEAN WITH A SOFT DAMP CLOTH.DO NOT USE ABRASIVE MATERIALS AND SOLVENTS.CHECK AND TIGHTEN ALL PARTS REGULARLY.DO NOT PLACE HOT ITEMS SUCH AS COFFEE CUPS DIRECTLY ON THE SURFACE.KEEP AWAY FROM WATER AND DIRECT SUNLIGHT.STORE IN A DRY PLACE.FOR DOMESTIC USE ONLY.FOR INDOOR USE ONLY.A MILD ODOUR MAY BE PRESENT WHEN FIRST OPENING THIS CARTON.SIMPLY ALLOW TO AIR OUTSIDE AND THIS WILL FADE.

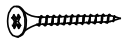




WARNING:


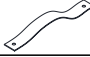




DO NOT STAND OR SIT ON THIS UNIT.DO NOT USE THIS UNIT UNLESS ALL BOLTS AND SCREWS ARE FIRMLY SECURED.DO NOT KNOCK OR DRAG THIS UNIT.USE ONLY ON A FLAT SURFACE. LOAD SHELF EVENLY TO PREVENT FROM TIPPING OVER. THIS PACKAGE CONTAINS SMALL PARTS AND SHARP POINTS. KEEP AWAY FROM CHILDREN AND BABIES. ADULT ASSEMBLY REQUIRED. FAILURE TO FOLLOW THESE WARNINGS COULD RESULT IN SERIOUS INJURY.

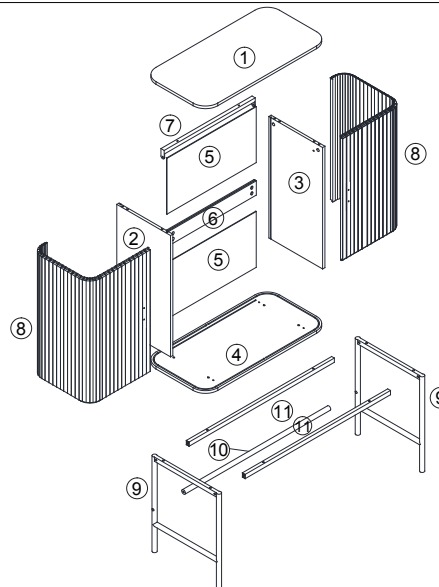
MAXIMUM SAFE LOAD:20KG FOR TABLE TOP, 5KG FOR SHELF.

Hardware List

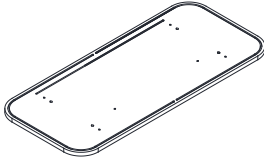
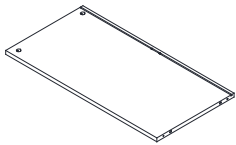
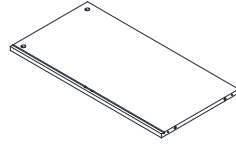
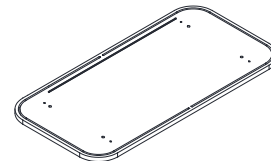
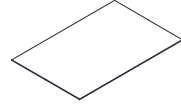

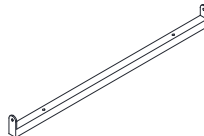
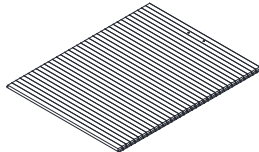
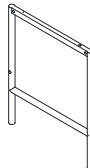

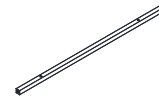
	A	6x35mm	8pcs
	B	15x9mm	8pcs
	C	6x30mm	8pcs
	D		2pcs
	E	4x25mm	4pcs

	F	4x35mm	4pcs
	G	6x35mm	6pcs
	H	4mm	1pc
	I	4x30mm	6pcs
	J		8pcs

	K	3x14mm	8pcs
	L		2pcs
	M	4x16mm	4pcs
	N		2pcs
	O	4x35mm	2pcs
	P	6x25mm	4pcs

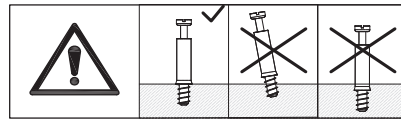
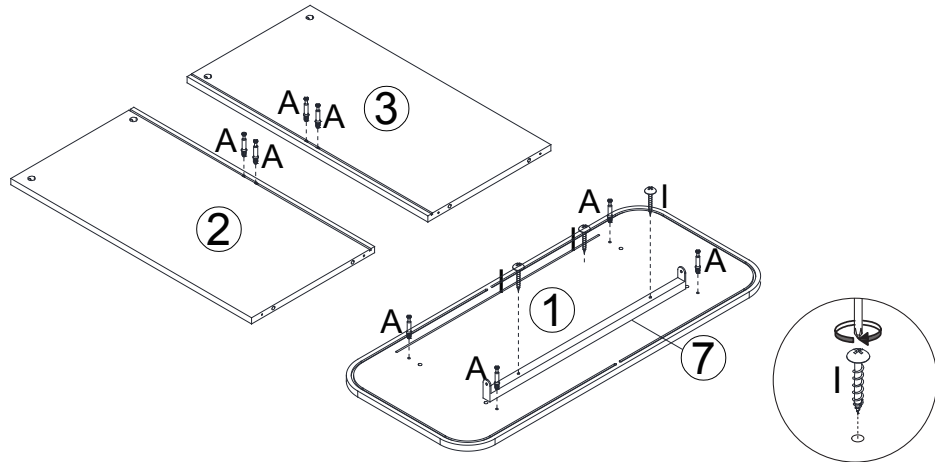


Do not tighten the screws fully during assembly.
Fully tighten screws after the final assembly steps.

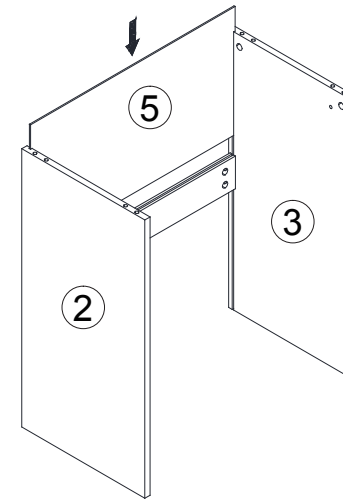
											
①	1 PC	②	1 PC	③	1 PC	④	1 PC	⑤	2 PCS	⑥	1 PC
											
⑦	1 PC	⑧	2 PCS	⑨	2 PCS	⑩	1 PC	⑪	2 PCS		

Step 1:

A x 8 I x 2
4x30mm

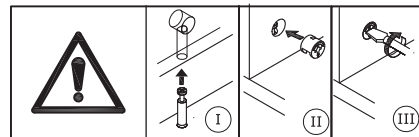
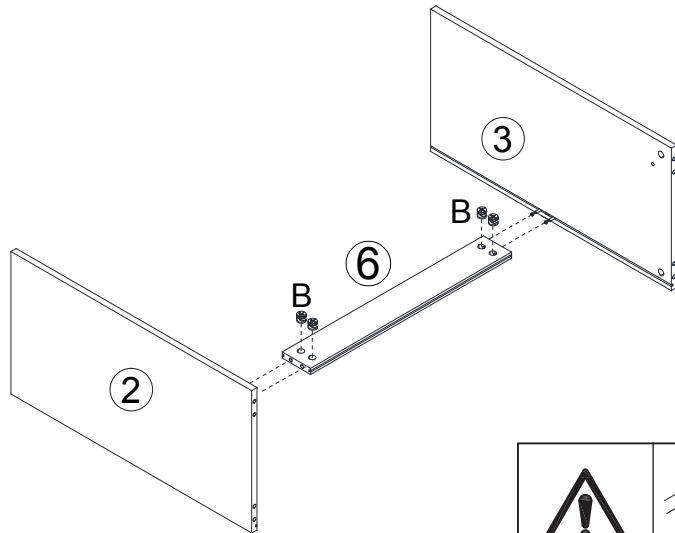


Step 3:



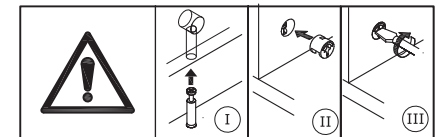
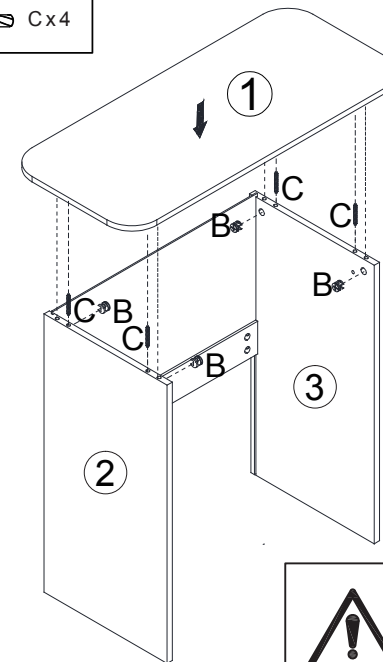
Step 2:

B x 4



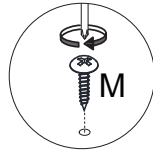
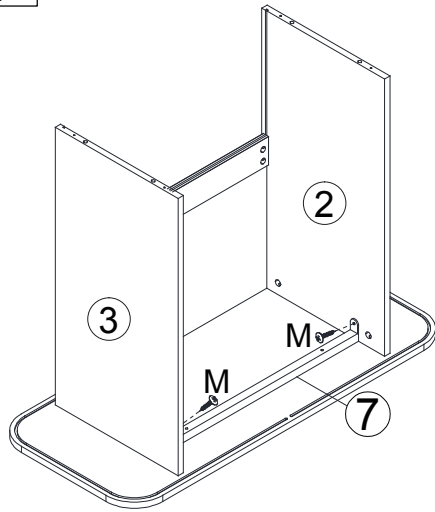
Step 4:

B x 4 C x 4

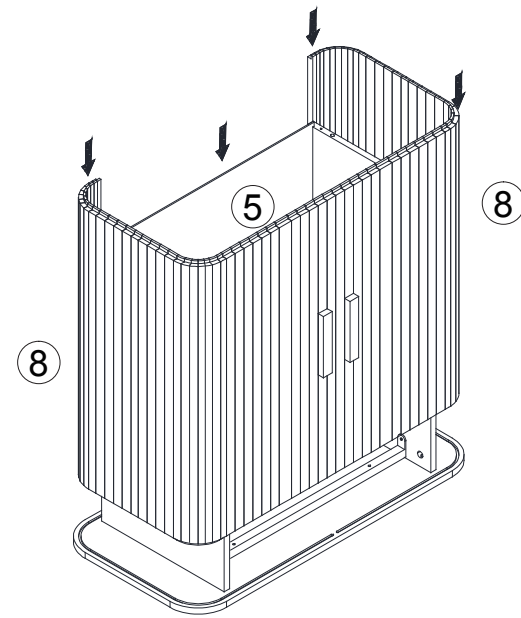


Step 5:

M x 2
4x16mm



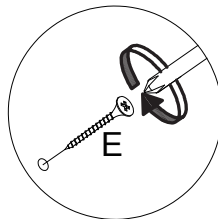
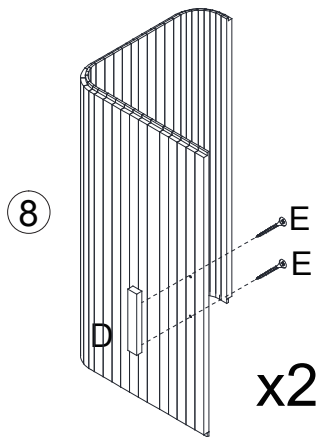
Step 7:



Step 6:

E x 4
4x25mm

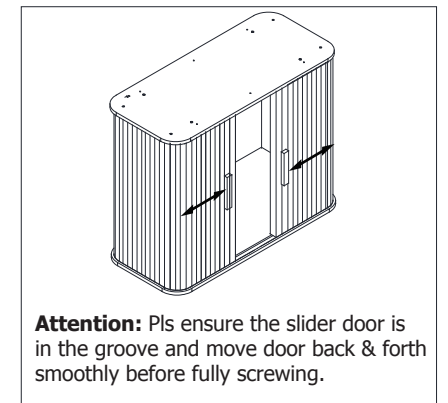
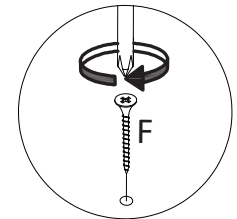
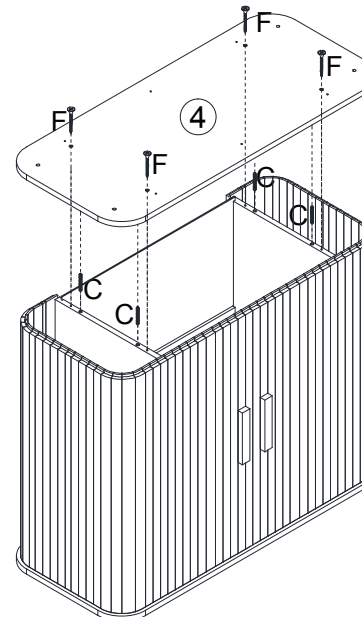
D x 2



Step 8:

C x 4

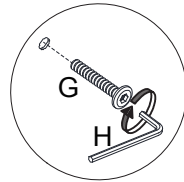
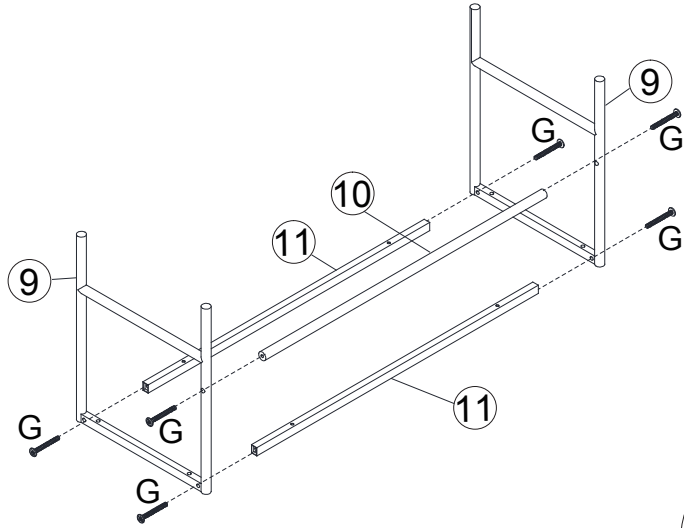
F x 4
4x35mm



Attention: Pls ensure the slider door is in the groove and move door back & forth smoothly before fully screwing.

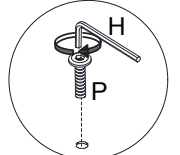
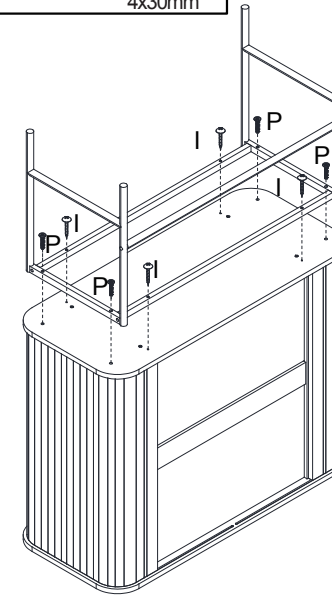
Step 9:

G x 6
6x35mm H x 1



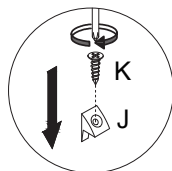
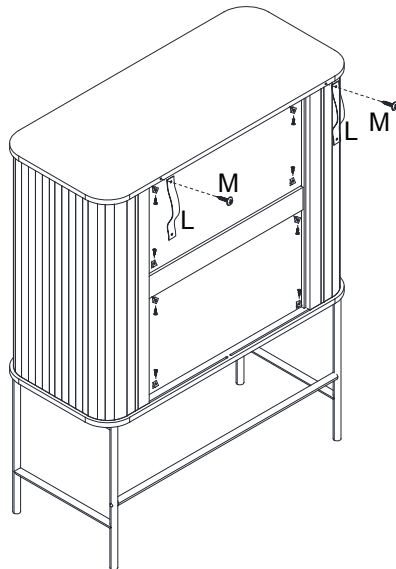
Step 10:

P x 4
6x25mm H x 1 I x 4
4x30mm



Step 11:

J x 8 K x 8 L x 2
M x 2
4x16mm N x 2 O x 2
4x35mm



User instructions should include the wording:

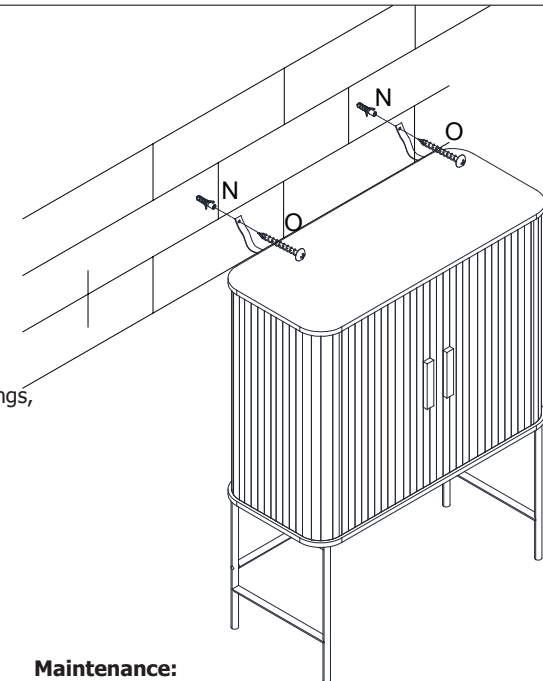
- **It is strongly recommended that this product is permanently fixed to the wall.**
- **Please seek professional advice if you are in doubt of what fixing device to use.**
- **Regularly check that anchors are securely maintained.**
- **Stability of tall items may be affected by thick pile carpet or uneven floors .**
- **Do not place unanchored televisions on furniture .**

CAUTION: for your safety when attaching the anchor fixings, please note the following:

- **Check any electrical wires or plumbing inside the wall before drilling any holes (if you are unsure please seek professional advice from a qualified tradesperson).**



WARNING: PLEASE SECURE YOUR FURNITURE WITH THE SUPPLIED WALL FIXING. SCAN THE CODE FOR MORE INFORMATION.



Maintenance:

Rub candlewax or parafin wax on the bottom of the groove and move the door back & forth regularly.