

# anko

**Water Kettle**

**JK-154-2200**

**User Manual**



**PLEASE READ AND SAVE THESE  
INSTRUCTIONS FOR FUTURE REFERENCE**

# IMPORTANT SAFETY INSTRUCTIONS

When using electrical appliances, basic safety precautions should always be followed, including the following:

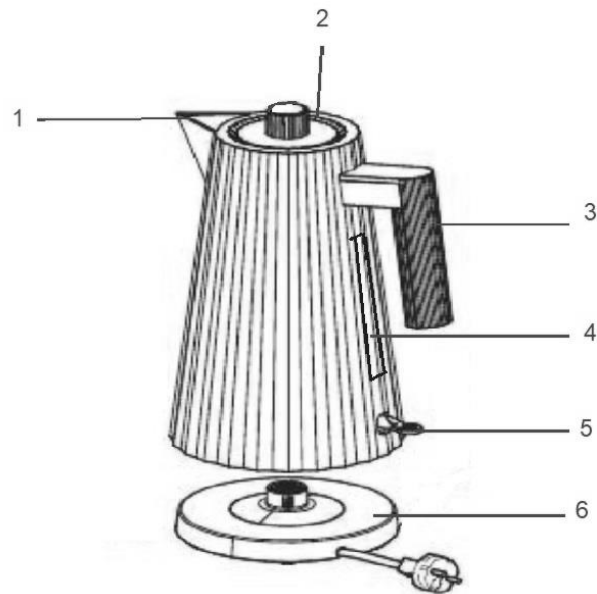
## READ ALL INSTRUCTIONS

1. Before connecting the kettle to the mains supply, check that the voltage indicated on the appliance (underside the kettle & base) matches the mains voltage in your home. If this is not the case, do not use the kettle.
2. Do not let the power cord hang over the edge of the table or counter.
3. Do not place the kettle on or near a hot gas or electric burner or in a heated oven.
4. **CAUTION! Do not operate the kettle without filling with water to avoid damage to the heating element.**
5. Ensure that the kettle is used on a stable flat surface, this will prevent the kettle from overturning and avoid damage or injury.
6. Keep the appliance and its cord out of reach of children.
7. To protect against a fire, electric shock or personal injury, do not immerse the supply cord, plug or kettle in water or other liquids.
8. Avoid contacting with steam from the spout when the water is boiling or just after it has switched off.
9. Always take care to pour boiling water slowly and carefully without tipping the kettle too quickly.
10. This appliance is not intended for use by persons (including children) with reduced physical, sensory or mental capabilities, or lack of experience and knowledge, unless they have been given supervision or instruction concerning use of the appliance by a person responsible for their safety.
11. Children should be supervised to ensure that they do not play with the appliance.
12. Do not touch hot surfaces. Use the handle when moving the kettle.
13. The power base supplied is for use with this kettle only.
14. Extreme caution must be used when moving the kettle with hot water.
15. The appliance is not a toy. Do not let the children play it.
16. The kettle is for household use only, not designed for commercial use. Do not use outdoors.
17. The use of accessories, which are not recommended by the appliance manufacturer, may result in fire, electric shock or personal injury.
18. **IMPORTANT! Unplug the kettle from mains power outlet when not in use and before cleaning.**
19. Allow the kettle to cool thoroughly before putting on or taking off parts, and before cleaning the appliance.

20. To disconnect the kettle, switch "OFF" the power switch on the kettle first, then remove the plug from the mains power outlet.
21. If the supply cord is damaged, it must be replaced by a qualified electrician in order to avoid a hazard or the product must be disposed of.
22. Do not use the appliance for other than intended use.
23. The kettle is only to be used with the base stand provided.
24. **CAUTION! If the kettle is overfilled, boiling water may spill out.**
25. Always ensure the kettle lid is closed and do not lift it while the water is boiling. Scalding may occur if the lid is opened when water is still boiling.
26. The appliance must not be immersed in water or other liquids.
27. Avoid liquid spillage on the electrical connectors.
28. This appliance is intended to be used in household and similar applications such as:
  - Staff kitchen areas in shops, offices and other working environments;
  - Farm houses;
  - By clients in hotels, motels and other residential type environments;
  - Bed and breakfast type environments.
29. The kettle base and outer surface is subject to residual heat after use.
30. Misuse may cause injury or property damage.
31. **CAUTION: The heating element surface is subject to residual heat after use.**
32. **CAUTION: Do not operate the kettle on an inclined plane. Do not operate the kettle without filling it with water above the Min level. Do not move while the kettle is switch on.**
33. **CAUTION: To prevent damage to the appliance, do not use alkaline cleaning agents when cleaning, use a soft cloth and mild detergent.**

**SAVE THESE INSTRUCTIONS  
FOR HOUSEHOLD USE ONLY**

## KNOW YOUR ELECTRIC KETTLE



- |                                       |                        |
|---------------------------------------|------------------------|
| 1. Spout with filter                  | 2. Lid                 |
| 3. Handle                             | 4. Water level gauge   |
| 5. On/Off switch with indicator light | 6. Power base and cord |

## BEFORE USING YOUR KETTLE

If you are using the kettle for the first time, it is recommended that you should clean your kettle before use by boiling with Max. capacity of water and then discarding the water. Repeat this process twice. Wipe the surface with a soft damp cloth.

**NOTE:** The Max. capacity of the kettle is 1.7L.

## USING YOUR ELECTRIC KETTLE

1. Place the kettle on a flat surface.
2. To fill the kettle, remove it from the power base and open the lid by pressing down on the lid release button, then fill the kettle with the desired amount of water and close the lid. The water level must be within the Min. (0.5L) and the Max. (1.7L) level marks. Too little water will cause the kettle to switch OFF before the water has fully boiled.

**NOTE:** Do not fill the water over the Max. level mark, as water may spill out of the spout when boiling. Ensure that the lid is firmly in place before connecting to mains power.

3. Position the kettle on the power base.
4. Connect the supply cord plug into a mains power outlet. Press down the power switch on the kettle, the indicator will light up showing the kettle is operational.
5. When the water has reached the desired temperature, the kettle will switch off automatically. You can stop the boiling at any time by lifting the switch up.
6. The kettle may now be safely removed from its base and the boiled water poured out.
7. To re-boil, depress the switch again. If the water is very hot, it may be necessary to wait approximately 30 seconds until the switch resets.
8. Always ensure the lid is tightly fitted and never lift the kettle while it is boiling or you run the risk of scalding.

**NOTE:** Ensure the switch is free of obstructions and the lid is firmly closed. The kettle will not turn OFF automatically if the switch is constrained or if the lid is opened.

**CAUTION:** Be careful when pouring the water from your kettle as boiling water may result in scalding. Do not open the lid while the water in the kettle is hot.

9. The kettle may be stored on the power base when not in use.

**NOTE:** Always disconnect from mains power outlet when not in use or when storing.

## BOIL-DRY PROTECTION

The kettle is fitted with a safety device which switches the kettle OFF if the appliance is operated with insufficient water or without water. If this occurs, the kettle should be disconnected from mains power supply and allow the kettle to cool thoroughly before refilling with cold water.

## **CLEANING AND MAINTENANCE**

Always disconnect the appliance from the power outlet and let it cool down completely before cleaning.

1. Never immerse the kettle, power cord or power base in water, or allow moisture to contact with these parts.
2. Wipe the outside body on the kettle with a soft damp cloth. Never use abrasive cleaners.
3. Remember to clean the filter at regular intervals. For easier cleaning, detach the filter by pressing down the tab of the filter inside the kettle and then replace it after cleaning.

**CAUTION: To prevent damage to the finish on the kettle, do not use chemical, steel, wooden or abrasive cleaners to clean the outside of the kettle**

4. When not in use or during storing, the power cord may be wound under the bottom of kettle power base.

## **REMOVAL OF MINERAL DEPOSITS**

Your kettle should be periodically descaled as mineral deposits in tap water may form scale on the bottom of kettle. You can use commercially available descaling solution and follow the instructions on the bottle/packaging. Alternatively, you may follow below instructions and use white vinegar.

1. Fill the kettle with 3 cups of white vinegar, then add water until it covers the bottom of kettle completely or up to the Min. level mark on the water level indicator window. Leave the solution in the kettle overnight.
2. Then discard the mixture in the kettle, then fill the kettle with clean water to the maximum capacity. Boil and then discard the water. Repeat several times until the odor of vinegar has been flushed away. Any stains remaining inside the spout can be removed by rubbing them with a damp cloth.

## **TECHNICAL SPECIFICATION**

Voltage: 220-240V~ 50-60Hz

Power: 1850-2200W

## 12 Month Warranty

Thank you for your purchase from Kmart.

Kmart Australia Ltd warrants your new product to be free from defects in materials and workmanship for the period stated above, from the date of purchase, provided that the product is used in accordance with accompanying recommendations or instructions where provided. This warranty is in addition to your rights under the Australian Consumer Law.

Kmart will provide you with your choice of a refund, repair or exchange (where possible) for this product if it becomes defective within the warranty period. Kmart will bear the reasonable expense of claiming the warranty. This warranty will no longer apply where the defect is a result of alteration, accident, misuse, abuse or neglect.

Please retain your receipt as proof of purchase and contact our Customer Service Centre on 1800 124 125 (Australia) or 0800 945 995 (New Zealand) or alternatively, via Customer Help at [Kmart.com.au](http://Kmart.com.au) for any difficulties with your product. Warranty claims and claims for expense incurred in returning this product can be addressed to our Customer Service Centre at 690 Springvale Rd, Mulgrave Vic 3170.

Our goods come with guarantees that cannot be excluded under the Australian Consumer Law. You are entitled to a replacement or refund for a major failure and compensation for any other reasonably foreseeable loss or damage. You are also entitled to have the goods repaired or replaced if the goods fail to be of acceptable quality and the failure does not amount to a major failure.

For New Zealand customers, this warranty is in addition to statutory rights observed under New Zealand legislation.