

anko

Carpet Spot Cleaner For Household Use Only



Model No.: YLW6336

Rev 4

Note: This appliance's specifications and/or components are subject to change without prior notice.

If any Accessories should fail during use, please call 1300 105 888 (Australia) or 09 8870 447 (New Zealand) for an immediate replacement. This will save you from returning the product to the store.

If we can assist you in any other way, please feel free to contact us

1	IMPORTANT	3
2	Warnings	3
3	Safety	3
4	Transporting your Carpet Spot Cleaner	6
5	Dog Cleaning	6
6	Floor Surfaces	6
7	Carpet Cleaning Solution	6
8	Components	8
9	Handle Holder Assembly	9
10	Operation	9
	10.1 Attaching the Floor Head	9
	10.2 Attaching / Removing the Floor Heads	10
	10.3 Filling with Water / Cleaning Solution	11
11	Operation as a Dry Vacuum Cleaner	14
12	Operation as a Dog Cleaner	15
13	User Maintenance	17
	13.1 Emptying the Dirty Water Tank	17
	13.2 Cleaning Floor Heads	18
	13.2.1 Plain Floor Head.....	19
	13.2.2 Floor Head with Scrub Brush	19
	13.2.3 Dog Cleaning Nozzle and Brushes	20
	13.3 Cleaning the Filters	21
	13.4 Cleaning the Main Unit	22
14	Completion and Storage	22
15	Troubleshooting	23
16	Warranty Against Defect	24

READ AND SAVE THESE INSTRUCTIONS FOR FUTURE REFERENCE

1 IMPORTANT

Please note: it is very important that the filters, water containers and components are kept clean, and the cleaning heads are free from blockages, etc.

Failure to keep it clean and well-maintained will reduce the performance of your Spot Cleaner and may cause the motor to overheat.

Please refer to the “User Maintenance” Section for further instructions on cleaning.

2 Warnings



Before using this appliance, read and follow all warnings and instructions in this manual, even if you are familiar with this product.

This appliance is not intended for use by persons (including children) with reduced physical, sensory or mental capabilities, or lack of experience and knowledge unless they have been given supervision or instruction concerning the use of the appliance by a person responsible for their safety.

Children should be supervised to ensure that they do not play with the appliance.

3 Safety

Please read this instruction manual carefully before first use. It is advisable to keep this instruction manual for future reference.

For additional protection, it is strongly recommended that the use of a residual current device (RCD) / safety switch with a tripping current not exceeding 30mA be used on the circuit supplying this product. If you are unsure if your home has this device, please contact your nearest Electrical Contractor.

DO NOT direct the water jet towards persons or equipment containing electrical components.

When the appliance is used in a bathroom, unplug it after use since the proximity of water presents a hazard even when the appliance is switched off.

DO NOT dry vacuum if the vacuum cleaner hose and floor head are wet. Allow to completely dry before using it as a dry vacuum cleaner.

DO NOT vacuum ashes, hot coals, cigarette butts, matches or any hot, smoking or burning objects, etc.

DO NOT pick up flammable or combustible materials (i.e., lighter fluid, petrol, kerosene, etc.) or use in the presence of explosive liquids or vapour.

DO NOT pick up toxic material (i.e., chlorine bleach, ammonia, drain cleaner, etc.)

DO NOT vacuum Toner (for laser printers, copy machines etc.) as there is a risk of fire and explosion.

DO NOT vacuum plaster, cement etc. as the unit will become blocked.

DO NOT store or use the appliance near high-temperature areas.

DO NOT use the vacuum cleaner to pick up large objects, hard or sharp objects such as glass, nails, screws, coins, etc. that are likely to cause damage.

DO NOT use the appliance without all the filters fitted.

DO empty and clean the Dirty Water Container after each use for optimal operation.

DO keep hair, loose clothing, fingers, feet and body parts away from openings or moving parts.

DO use only on indoor surfaces.

DO Keep all openings free of dust, lint, hair, and anything that may reduce airflow.

DO use extra care when vacuuming on stairs.

DO keep your work area well-lit.

DO NOT use or operate the appliance with a damaged cord or plug.

If the supply cord is damaged, it must be replaced by the manufacturer, its service agent or similarly qualified persons to avoid a hazard.

DO NOT use in swimming pools, etc. containing water.

To protect against the risk of electric shock, do not immerse the appliance, cord or plug in water or other liquids.

For electrical safety, any repairs to the product must be performed by a qualified electrical person only, or the product must be disposed of.

The appliance must be unplugged from the power supply after use, before cleaning, changing accessories, refilling the water tank, emptying the dirty water tank or carrying out user maintenance on the appliance.

DO NOT close the door on the cord or pull the cord around sharp edges or corners.

DO NOT use cleaner if it has been dropped, damaged, left outdoors, or dropped into liquid (water etc.)

DO NOT handle the plug or cleaner with wet hands.

DO NOT put any objects into openings.

DO NOT use with any openings blocked and do not restrict airflow.

DO NOT use the appliance if it is blocked. Turn off and clear all blockages before continuing.

DO NOT stand on the appliance.

DO NOT use the cleaner if the appliance malfunctions, has abnormal noise, smell, or smoke, is dropped or damaged in any manner or if any breakage is found during the operation.

DO NOT misuse the cord. Never pull the appliance by the cord or pull to disconnect it from the outlet. Instead, grasp the plug and pull to disconnect.

DO NOT attempt to modify this product in any way.

DO turn it off before you connect or disconnect the appliance to or from the mains supply.

DO use only as described in this manual. Use only the manufacturer's recommended attachments.

DO keep the cord away from heated surfaces.

DO store your appliance indoors in a cool, dry area.

DO ensure children and babies cannot play with plastic bags or any packaging materials.

DO operate the appliance from a power source of the same voltage, frequency and rating as indicated on the product identification plate.

If this appliance is used by a third party, **DO** supply the instruction manual with it.

No liability can be accepted for any damage caused by non-compliance with these instructions or any other improper use or mishandling of the appliance.

This product has not been designed for any uses other than those specified in this manual.

ONLY for domestic use. Industrial or commercial use invalidates the warranty.

Read and Save These Instructions

4 Transporting your Carpet Spot Cleaner

To move your cleaner from room to room, unplug the unit and carry using the carry handle. Never pull or carry the cleaner by its cord.

5 Dog Cleaning

Please refer to the separate section “**Operation as a Dog Cleaner**” for instructions for cleaning your dog.

6 Floor Surfaces

This product can be used for cleaning carpets and mats, rugs, etc.

It is strongly advised to always test a section of the flooring material in an out-of-sight area first to ensure the surface to be cleaned is not damaged by the warm water or cleaning solution used.

Always follow the instructions provided with the cleaning solution. If unsure, **DO NOT USE!**

IMPORTANT: DO NOT USE on unsealed hardwood or unglazed ceramic surfaces, etc. Surfaces that are not properly sealed may be warped or damaged by exposure to heat, moisture and cleaning solutions. **DO NOT** use on furniture or fixtures.

7 Carpet Cleaning Solution

IMPORTANT: Only use a **Low Foaming** carpet cleaning solution.

Always follow the instructions on the Cleaning Solution Bottle.

DO NOT add any other agents into the water tank such as rust removers, odour counter-reacting agents, alcohol, solvents, etc. as this will damage the appliance and may damage the carpet.

Adding other detergents or carpet cleaners that are not Low Foaming, may damage the appliance and will make using the appliance impossible due to the foaming suds.

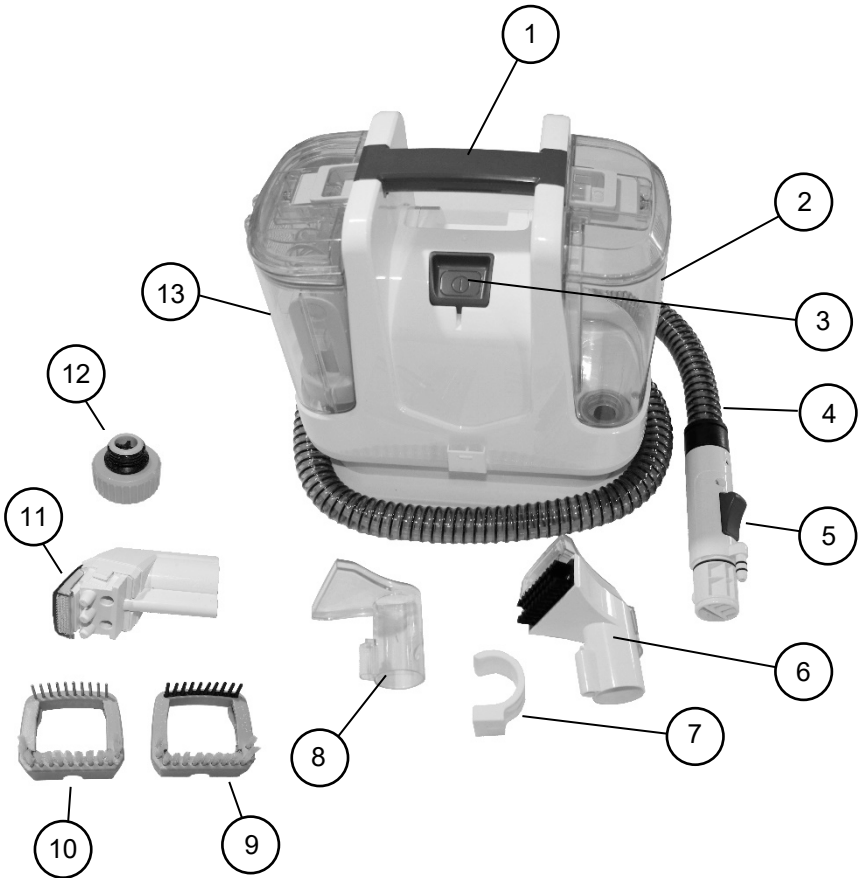
The Clean Water Tank will hold approx. 1L (1000ml) of clean water when filled to the “Max” fill line.

Important: Check the recommended mixing ratio found in the instructions supplied with the cleaning solution.

Add the required amount of cleaning solution to the 1 Litre of clean water in the water tank.

Do Not add more cleaning solution than that specified on the cleaning solution container.

8 Components

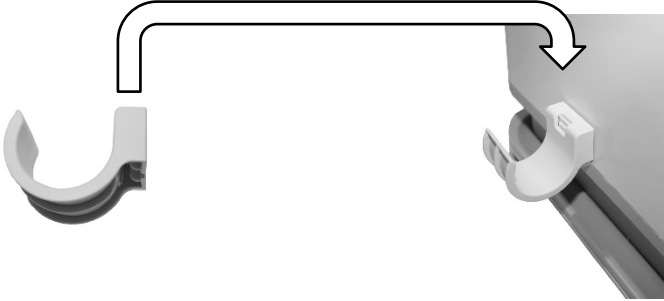


1	Carry Handle	8	Vacuum Floor Head - Plain
2	Clean Water Tank 1L Capacity	9	Dog Brush: Rubber Comb – Short Fur
3	On / Off Switch	10	Dog Brush: Metal Comb – Long Fur
4	Flexible Hose (Water Pipe Internal)	11	Dog Brush Nozzle
5	Handle with Water Trigger	12	Clean Water Tank Cap – Air Breather
6	Vacuum Floor Head – with Scrub Brush	13	Dirty Water Tank
7	Trigger Handle Storage Clip		

9 Handle Holder Assembly

Before first use, fit the Handle Holder as follows:

- Take the hook and position it over the lug on the front of the unit then push it down hard until it locks in place.



10 Operation

10.1 Attaching the Floor Head

There are two different floor heads you can choose from.

One floor head is a plain head for sucking up liquid spills where a Scrub Brush is not required.



The other floor head has a Scrub Brush underneath for use to gently agitate the carpet to help remove stubborn or older stains.



10.2 Attaching / Removing the Floor Heads

To attach and remove the floor heads to and from the handle, follow the steps following:

Plain Floor Head – Align the handle with the back of the floor head, ensuring the water spigot aligns with its mating hole as shown, then push in hard until the lock button on top of the handle locks into the hole in the top of the Floor Head:

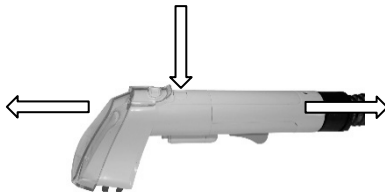


Scrub Brush Floor Head – Align the handle with the back of the floor head, ensuring the water spigot aligns with its mating hole as shown, then push in hard until the lock button on top of the handle locks into the hole in the top of the Floor Head:



To Remove either of the floor heads, press the button located in the top of the handle, and at the same time, pull the floor head and handle apart with force.

IMPORTANT: DO NOT pull apart by grasping the flexible hose. Only grasp the handle part and the floor head.



10.3 Filling with Water / Cleaning Solution

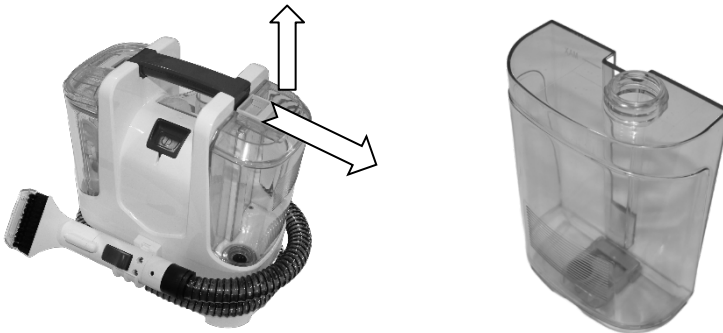
IMPORTANT: Only use a **Low Foaming** carpet cleaning solution.

Always follow the instructions on the Cleaning Solution Bottle.

Before use, please refer to the sections “Floor Surfaces” and “Carpet Cleaning Solution” in this manual.

Remove the Clean Water Tank by sliding the latch open then slide the water tank straight up and out, then turn the water tank over to access the filling hole.

Note: The first time you do this, you will notice there is no cap on the water tank. This needs to be fitted after filling with water / cleaning solution.



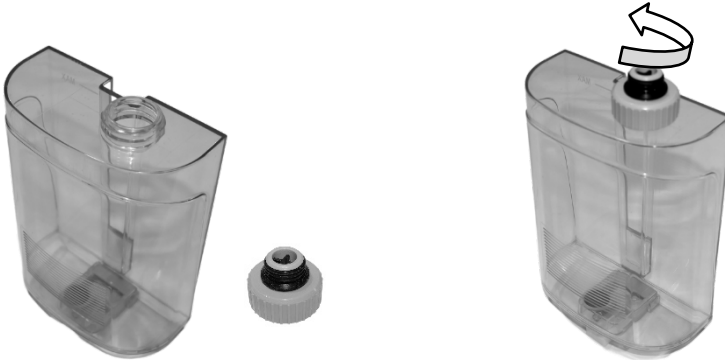
- For best performance, use hot tap water up to a maximum of 40°C.
- Add the recommended amount of cleaning solution to the water tank and then fill to the “Max” line marked on the water tank which is approximately 1 litre (1000ml).

NOTE: Refer to the section “**Carpet Cleaning Solution**” in this manual for instructions on calculating the amount of carpet cleaning solution based on the solution you have purchased and then adding it to the tank.

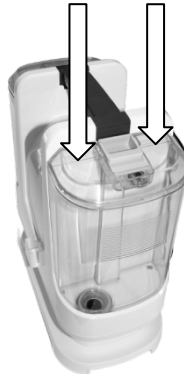
IMPORTANT: Only use a **Low Foaming** carpet cleaning solution and always follow the instructions on the Cleaning Solution Bottle.

DO NOT add any other agents into the water tank such as rust removers, odour counter-reacting agents, alcohol, solvents, etc. as this will damage the appliance and may damage the carpet.

- Screw on the Cap (clockwise) and tighten securely. Do Not overtighten.



- Rotate the water tank so that the cap is at the bottom and then slide it down into the base unit as shown and push down until the latch locks it in place.



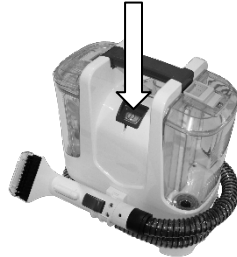
- Ensure the Dirty Water Tank lid and tank are fitted correctly and latched in place.



Note: You must clean all water tanks and components after use. Refer to the “User Maintenance” section in this manual on how to do this.

- Ensuring you have fitted the required floor head, fully unravel the power cord then insert the plug into the power point and switch on the power point.
- Press the On / Off switch to “On” and the vacuum motor will turn on.

Note: Always turn the unit Off when carrying.



- At this time, position the spray nozzle (located under the handle towards the front) over the area to be cleaned and squeeze the handle trigger.



- The pump inside the unit will then spray a fan of cleaning solution over the area chosen to be cleaned.
- When you have applied the desired amount of cleaning solution to the carpet, release the trigger and the spray will stop.

Floor Head with the Scrub Brush

If using the Floor Head with the Scrub Brush, gently massage the dirty area with a back and forward motion as well as a circular motion.

IMPORTANT: do not scrub hard, gently massage the carpet.

- At the same time, the dirty water will be sucked up through the nozzle on the front of the floor head.
- As the nozzle is transparent, you can see how dirty the water is and will give you an indication of whether the area needs another spray with the cleaning solution.
- Once satisfied the carpet is as clean as possible, turn off the unit then change over to use the Plain Floor Head as this floor head is more suitable for rinsing and sucking up excess water in the carpet.

Plain Floor Head

- This floorhead can be used where scrubbing is not needed and also used in conjunction with the floorhead with the scrub brush to rinse the carpet and to remove excess water.
- Operate the trigger to apply the cleaning solution to the area to be cleaned / rinsed.
- When you have applied the desired amount of cleaning solution to the carpet, release the trigger and the spray will stop.
- With the floor head nozzle pushed gently into the carpet, move the floor head back and forward slowly over the entire area that was applied with the cleaning solution to allow the dirty water to be sucked up.
- Repeat the process if more cleaning is required.

NOTE: The Dirty Water Tank has a “Max” fill line to visually indicate when the tank needs emptying.

The dirty water tank is also fitted with a Suction Cut Off Valve which prevents the dirty water tank from overflowing.

If the suction from the floor head suddenly stops, the dirty water tank is full and needs emptying.

11 Operation as a Dry Vacuum Cleaner

DO NOT dry vacuum if the vacuum cleaner hose and floor head are wet. Allow all components to completely dry before using as a dry vacuum cleaner.

- Set up the cleaner as described previously but without Water and the Cleaning Solution.
- Attach the Plain Floor Head.
- Press the On / Off switch to turn on and then start to vacuum the carpet in a back and forward motion.
- When finished, press the On / Off switch to turn it off.

Note: After using the vacuum function, you will need to empty and brush or wash out the Dirty Water tank

Refer to the “User Maintenance” section for how to do this.

12 Operation as a Dog Cleaner

This appliance, along with the special Dog cleaning nozzle and brushes, can be used for cleaning your dog's fur.

This can reduce the frequency of bathing your dog but does not replace a proper dog bath.

It is suggested that when you use this appliance for the first time with your dog, allow your dog to get used to the vacuum noise by turning the appliance on while keeping your dog 1 - 2 meters apart.

Slowly bring your dog closer to the appliance and your dog should adapt to it quickly.

You can choose a different nozzle according to your dog's fur length.

Please use Low bubble pet shampoo.

Important:

Please use warm water between 37°C and 40°C (No Hotter).

Please follow these steps:

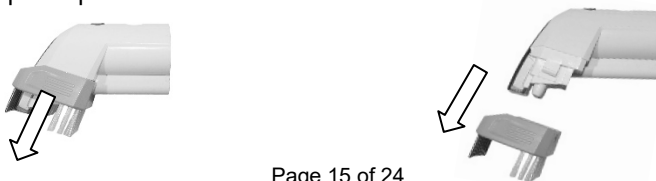
1. Fill the Clean Water tank with warm water between 37°C and 40°C (No Hotter) and refit to the appliance. Refer to the section "Filling with Water".

NOTE: Do Not add any detergents or additives to the clean water.

2. Attach the desired Brush to the Dog Cleaning Nozzle by aligning the head with the brush opening and push together.



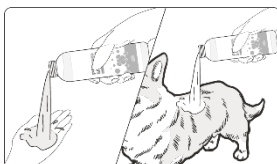
Note: To remove the brush, hold the head firmly and with your other hand, grasp and pull the brush down and off.



3. Attach the Dog Cleaning Nozzle to the end of the flexible hose.



4. Plug the appliance into the power point, switch on and start the appliance.
5. Squeeze the water trigger on the Dog Cleaning Nozzle, away from your dog, to ensure there is a steady stream.
6. Allow your dog to acclimatise to the noise for as long as needed, then bring your dog to the appliance.
7. Spray your dog with the water until the fur is wet through then turn off the appliance.
8. Using your favourite Low Foaming dog shampoo, apply the shampoo to the dog fur and rub it in. You can use the cleaning brush to help agitate the shampoo through the fur.



Note: Only brush the fur in its direction of growth. Do Not brush against the growth.

9. To rinse off the shampoo, restart the appliance and whilst spraying the fur with clean water, drag the brush through the fur at the same time to suck up the dirty water.
10. Repeat until you are happy all the shampoo and dirty water has been removed.
11. Continue to brush the fur but without spraying water so as to remove all excess water.
12. When finished, turn off and unplug the appliance, then dry your dog thoroughly with a dry towel.
13. Clean the appliance and accessories as described in the “User Maintenance” section.

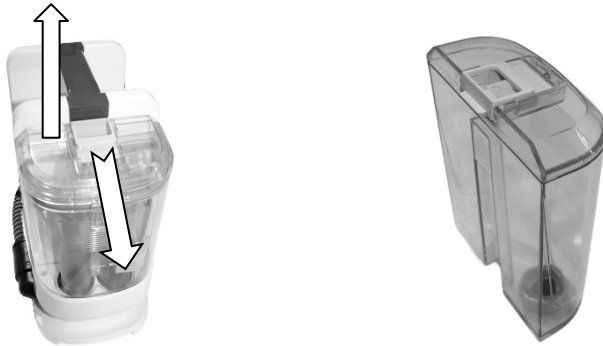
13 User Maintenance

WARNING: The appliance must be switched off and the plug must be removed from the power point before any maintenance, cleaning, filling the Clean Water Tank or emptying the Dirty Water Tank, etc.

13.1 Emptying the Dirty Water Tank

Empty the Dirty Water Tank before the water level reaches the “MAX” line, after every use, or when the suction suddenly stops.

- To remove the Dirty Water Tank, first turn off the power, switch it off and unplug from the power point.
- Remove the Dirty Water Tank by sliding the latch open then slide the Dirty Water Tank straight up and out.



IMPORTANT: Hold the Dirty Water Tank upright after removing and do not tip sideways or forward or backward as the dirty water will spill out.

- Take the dirty water tank to the sink and unlatch the lid by gently prying the latch tab forward and then swing up, slide forward and remove.

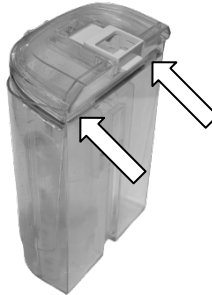


- Empty the dirty water and remove any debris that may be caught inside.
- Wash out the tank and the lid with warm water and mild dishwashing detergent and rinse. It is best if all components are allowed to dry before reassembling.

DO NOT place in a dishwasher.

DO NOT use a hairdryer or place it in an oven to dry the components.

- When reassembling the lid to the dirty water tank, ensure the tabs on the back of the lid align and are inserted through the slots in the back of the dirty water tank before pressing the lid down to latch closed.



- Refit the dirty water tank to the main unit. Slide it down into the base unit as shown and push down until the latch locks it in place.



13.2 Cleaning Floor Heads

Important Note: Never use abrasive cleaners, solvents, steel wool, scouring pads, stiff brushes, or strong chemicals that might or might not be flammable and/or damaging to the product.

13.2.1 Plain Floor Head

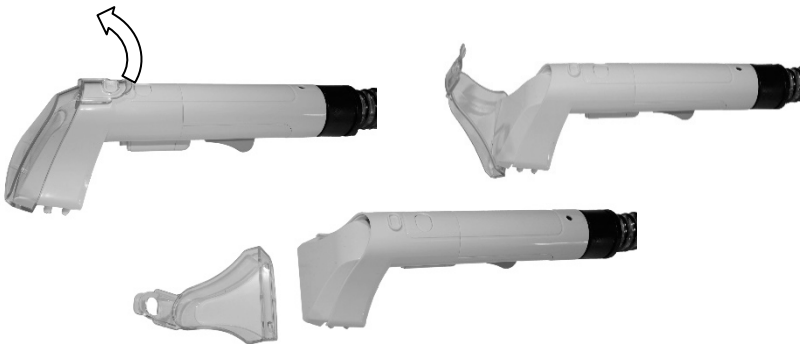
- To clean the Plain Floor Head, remove it from the handle as described previously and wash it in warm water (40°C or less) with mild dishwashing detergent.
- Rinse in clean cold water and allow it to completely dry.

DO NOT place in a dishwasher.

DO NOT use a hairdryer or place it in an oven to dry the components.

13.2.2 Floor Head with Scrub Brush

- To clean the Floor Head with the Scrub Brush, remove it from the handle as described previously. Alternatively, to make it slightly easier, leave it attached to the handle until you have removed the transparent front part as follows:
- Remove the transparent front section by prying the locking tab up and forward then swing the part forward and off as shown.



- Wash both parts in warm water (40°C or less) with mild dishwashing detergent then rinse in clean cold water and allow to completely dry.

DO NOT place in a dishwasher.

DO NOT use a hairdryer or place it in an oven to dry the components.

- Reassemble the front part by hooking it onto the lower front of the floor head, swing it back and then push down firmly until the tab clips shut.



13.2.3 Dog Cleaning Nozzle and Brushes

- To clean the Dog Cleaning Nozzle, remove it from the handle.
- Remove the Brush by holding the head firmly and with your other hand, grasp and pull the brush down and off as described previously.
- Remove the transparent front section by pressing the locking tab located on the top of the head inward and then slide the part forward and downward as shown.



- Wash all parts in warm water (40°C or less) with mild dishwashing detergent then rinse in clean cold water and allow to completely dry.

DO NOT place in a dishwasher.

DO NOT use a hairdryer or place it in an oven to dry the components.

Reassemble the clear part by sliding it onto the front of the head and push it back in until the tab clips shut.



13.3 Cleaning the Filters

Vacuum Pre-Motor Filter

There is a small round foam filter between the Dirty Water Tank and the Vacuum Motor.

This filter prevents large particles from being sucked into the motor, which will need periodic cleaning.

To access this filter, first remove the Dirty Water Tank as described previously, then grasp the small filter with your thumb and index finger and pull out.

Note: you can also use tweezers or the like if having trouble grasping the filter.



Water Pre-Pump Filter

There is a small round foam filter between the Clean Water Tank and the Pump Motor.

This filter prevents large particles from being sucked into the water pump, which will need periodic cleaning.

To access this filter, first, remove the Clean Water Tank as described previously, then grasp the small filter with your thumb and index finger and pull out.

Note: you can also use tweezers or the like if having trouble grasping the filter.

Wash the filter with warm water and mild dishwashing detergent and rinse.

Refit the filters.

IMPORTANT: The Vacuum Pre-Motor filter must be completely dry before refitting.

Ensure the vacuum pre-motor filter and the Water filter are re-fitted in their correct holes.

Refer to the diagrams above.

DO NOT place filters in a dishwasher.

DO NOT use a hairdryer or oven to dry the filters.



13.4 Cleaning the Main Unit

CAUTION: DO NOT IMMERSE THE APPLIANCE IN WATER OR LIQUID.

- Turn off and unplug from the power point before cleaning.
- **Never use** abrasive cleaners, solvents, steel wool, scouring pads, stiff brushes, or strong chemicals that might or might not be flammable and/or damaging to the product.
- Clean by using a damp (not wet) cloth with mild detergent and wipe over the surfaces.
- Dry thoroughly with a clean cloth.

DO NOT place any components in a dishwasher.

14 Completion and Storage

- After you have finished using the cleaner, switch it off and unplug it from the power point.
- Remove and clean both water tanks and both floor heads as described previously.
- Ensure all components are completely dry before storage.
- Wind the power cord into a loose loop and tie using the Velcro strap.
- Wrap the flexible hose around the appliance and clip the handle into its holder as shown.



15 Troubleshooting

No Water is being sprayed.	Power Not Switched On.	Switch On at power point.
	No power is being supplied to the power point.	Check your circuit breakers.
	No water / cleaning solution in the clean water tank.	Add water / cleaning solution to the clean water tank.
	Blocked water jet hole.	Clean the water jet hole.
	The water release trigger in the handle is not activated.	Squeeze the Trigger in the Handle
Excessively Noisy operation	Clean the small filters & empty and clean the Dirty Water Tank.	
	Check for partial blockages and unblock.	
	The Dirty Water Tank is full and needs emptying.	
Suction Not Strong or Stopped	Clean the small filters & empty and clean the Dirty Water Tank.	
	Check for blockages and unblock.	
	The Dirty Water Tank is full and needs emptying.	
Over-heating / Stopping	Clean the small filters, empty and clean the Dirty Water Tank, check for blockages and unblock then allow it to cool for approximately 1 hour before trying to restart.	
<p>If all the above checks out and the unit will still not turn on at all, it could be the internal temperature safety fuse that has been activated.</p> <p>If this occurs, call our customer service department for further instructions.</p>		
Static Shock when Dry Vacuuming	<p>In some rare instances, one or two users may feel an electric discharge when touching or using the vacuum cleaner during or after use. This is a well-known phenomenon of Static Electricity discharge that happens in dry and cool environments. Although the feeling of Static Electricity can be unpleasant for the user, it is not dangerous and is not a fault of the vacuum cleaner. If this static discharge is a problem for the user, the user could try wearing insulating footwear during vacuuming (i.e., rubber or leather soles), increase the humidity / heat level in the surrounding environment or both.</p>	

16 Warranty Against Defect

12 Month Warranty

Thank you for your purchase.

Your new product is warranted to be free from defects in materials and workmanship for the period stated above, from the date of purchase, provided that the product is used in accordance with accompanying recommendations or instructions where provided. This warranty is in addition to your rights under the Australian Consumer Law. For New Zealand customers, this warranty is in addition to statutory rights observed under New Zealand legislation.

We will provide you with your choice of a refund, repair (where possible) or exchange (availability dependent) for this product if it becomes defective within the warranty period. The business will bear the reasonable expense of claiming the warranty. This warranty will no longer apply where the defect is a result of alteration, accident, misuse, abuse or neglect.

Please retain your receipt as proof of purchase and contact our Customer Service Centre as listed below, for the entity you purchased this product from, for any difficulties with your product. Warranty claims and claims for expenses incurred in returning this product can be addressed to the respective Customer Service Centre.

Our goods come with guarantees that cannot be excluded under the Australian Consumer Law. You are entitled to a replacement or refund for a major failure and compensation for any other reasonably foreseeable loss or damage. You are also entitled to have the goods repaired or replaced if the goods fail to be of acceptable quality and the failure does not amount to a major failure.

Contact for Kmart purchases	Contact for Target purchases
Kmart Australia Ltd. C/- Customer Service Centre, 690 Springvale Road, Mulgrave Vic 3170 Customer Service: 1800 124 125 (Australia) or 0800 945 995 (New Zealand) or via Customer Help at kmart.com.au	Target Australia Pty Ltd. C/- Customer Service Centre, 2 Kendall Street, Williams Landing, Vic, 3027 Customer Service: 1300 753 567 or via Customer Help at target.com.au/help/contact-us

IMPORTANT! For all technical queries or difficulties in operating the product and for spare parts, contact H.E. Group customer service 1300 105 888 (Australia) and 09 8870 447 (New Zealand).