

INSTRUCTION MANUAL

[KMT081]

43233533_PKG_Bluetooth Headphones Round DJ_v3

Artwork Proof Date: 10/11/2022

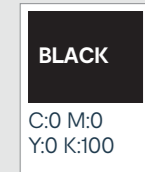
Number of artboards:1

PAPER:

80gsm

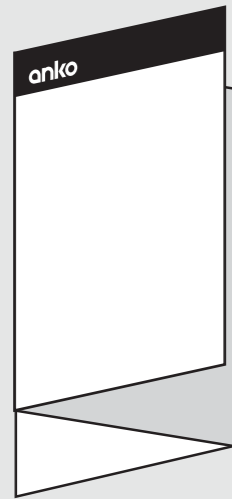
Bright white uncoated paper

PRINT COLOURS:



PRINT FINISH:

Z fold



CHANGE LOG CREST INTERNAL USE ONLY

ARTWORK SHOULD NOT BE AMENDED WITHOUT PRIOR AGREEMENT FROM CREST. ALL ARTWORK MUST BE APPROVED BY CREST PRIOR TO MASS PRODUCTION.

IF THERE ARE QUERIES ABOUT THIS ARTWORK PLEASE CONTACT:
EMAIL: design@crest.com.au

THANK-YOU.

12 month warranty

Thank you for your purchase from Kmart.

Kmart Australia Ltd warrants your new product to be free from defects in materials and workmanship for the period stated above, from the date of purchase, provided that the product is used in accordance with the accompanying recommendations or instructions where provided. This warranty is in addition to your rights under the Australian Consumer Law.

Kmart will provide you with your choice of a refund, repair or exchange (where possible) for this product if it becomes defective within the warranty period. Kmart will bear the reasonable expense of claiming the warranty. This warranty will no longer apply where the defect is a result of alteration, accident, misuse, abuse or neglect.

Please retain your receipt as proof of purchase and contact our Customer Service Centre on **1800 124 125 (Australia)** or **0800 945 995 (New Zealand)** or alternatively, via Customer Help at **kmart.com.au** for any difficulties with your product. Warranty claims and claims for expense incurred in returning this product can be addressed to our Customer Service Centre at 690 Springvale Rd, Mulgrave VIC 3170.

Our goods come with guarantees that cannot be excluded under the Australian Consumer Law. You are entitled to a replacement or refund for a major failure and compensation for any other reasonably foreseeable loss or damage. You are also entitled to have the goods repaired or replaced if the goods fail to be of acceptable quality and the failure does not amount to a major failure.

For New Zealand customers, this warranty is in addition to statutory rights observed under New Zealand legislation.

anko

anko

Bluetooth® Oval DJ Headphones

Operating Instructions

Includes:

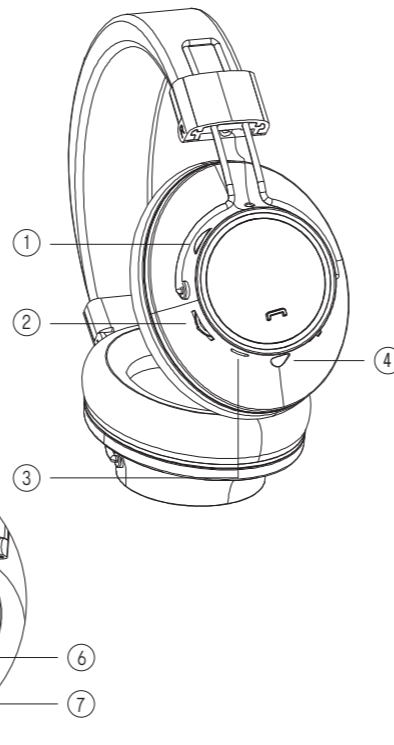
- › headphone
- › micro USB charging cable
- › 3.5mm audio cable
- › instruction manual



43233533

Function Overview:

1. Micro SD/TF, Memory Card, Slot
2. Play/Pause, Volume Up, Volume Down, Next/Previous track
3. Micro USB charging Port
4. AUX input
5. Answer/reject/redial Call LED indicator
6. Mic
7. ON/OFF button



How to use the Headphone

- Power On** Slide the power button to the left side.
- Power Off** Slide the power button to the right side.
- Play** Press button
- Pause** Press button
- Next Track** Press the button once
- Previous track** Press the button once
- Answer call** Press button
- End call** Press button
- Re-dial last call** Press button twice
- Reject call** Press and hold button for 2 seconds
- Volume Up** Press and hold button
- Volume Down** Press and hold button

Pairing the Headset with Bluetooth® Devices

- › Once the headphone is powered on, it will enter pairing mode with the LED light flashing blue and red.
- › Search the Bluetooth® list with pairing name **KM43233533**.
- › Click to pair with your Bluetooth® device. Once connected successfully, it will slowly flash with blue LED light.
- › If previously paired, the headphone will connect to the last paired device.
- › To disconnect the headphones, you can manually turn off Bluetooth® on your device or disconnect the headphone from the Bluetooth® list.

AUX Mode

Insert the Aux Cable into the headphone and connect the 3.5mm jack to your mobile device or computer. Bluetooth® mode will automatically switch off.

TF/SD Card Mode

- › Insert the Micro SD/TF card into the headphone, press gently to lock the SD/TF card. Bluetooth® mode will automatically switch off and enter TF/SD card mode.
- › Press gently again to unlock the SD/TF card.

Battery Charging:

- › Connect the micro-USB charging cable into the headphone and connect USB-A side to the charger with a standard 5V/1A output to avoid any damage.
- › The LED will turn red while the headphone is charging. When the headphone is fully charged, LED light will turn off automatically.

Safety Instructions

- › Earphones built-in rechargeable battery, we recommend you fully charge the battery for first time usage.
- › To ensure the battery life, the headphones should be charged normally once a month.
- › Turn off the headphone before charging.
- › Do not charge the headphone during use.

Specification

- Model no:** 43233533
- Bluetooth® version:** 5.1
- Driver size:** 40mm
- Impedance:** 32Ω ± 15%
- Frequency response:** 20Hz-20kHz
- Sensitivity:** 93dB ± 3dB at 1kHz
- Bluetooth® distance:** 10m
- Battery capacity:** 600mAh
- Charging time:** 2-3 hours
- Play time** up to 30hours

110